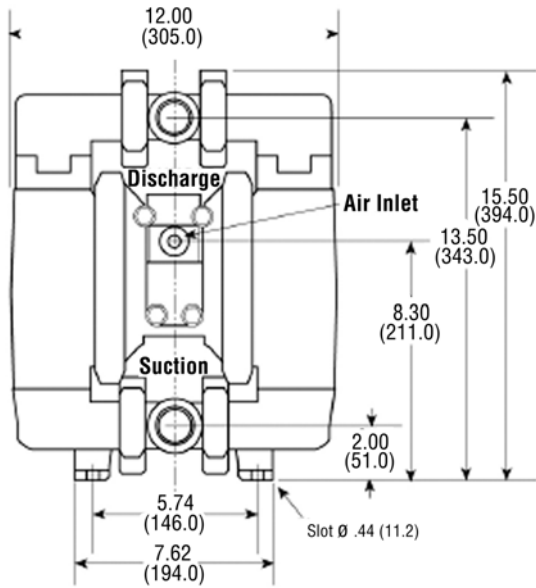
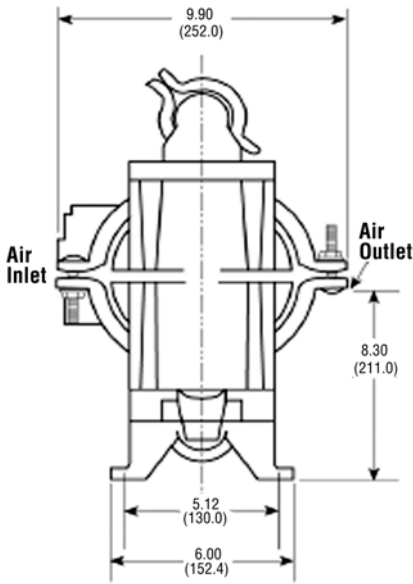


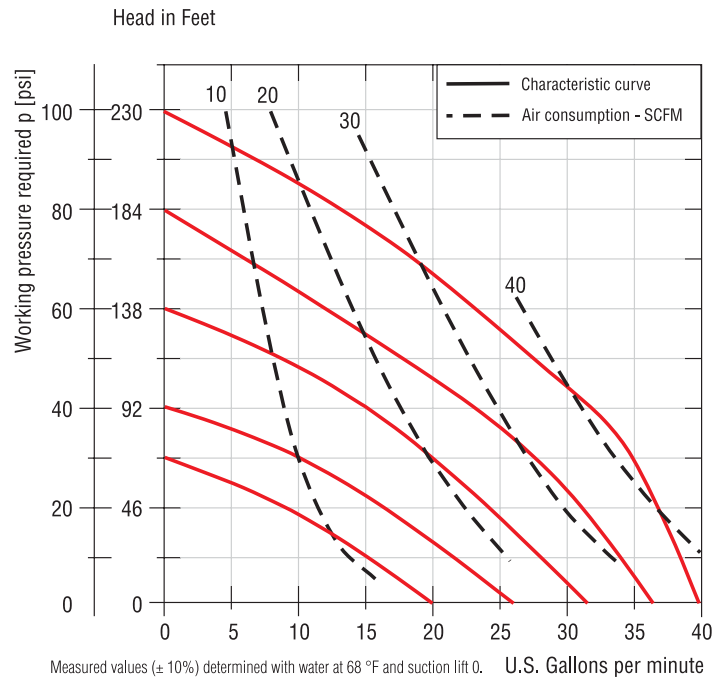
1" Clamped Version (non-metallic)



Front View



Side View



Dimensions in inches and (mm).

Operating data / Dimensions / Weights		
	1" PP	1" Kynar®
Housing material	Polypropylene	Kynar®
Diaphragm materials	Geolast®, Santoprene®, Teflon®, Viton®	Teflon®
Valve ball materials	Geolast®, Santoprene®, Teflon®, Viton®	Teflon®
Seals	Geolast®, EPDM, Teflon®, Viton®	Teflon®
Valve seat	PP	Kynar®
Flow rate	40.2 gpm	40.2 gpm
Volume per stroke*	.083 gal/stroke	.083 gal/stroke
Suction lift dry	14.7 ft	14.7 ft
Suction lift Teflon®	9.8 ft	9.8 ft
Operating pressure	max. 100 PSI	max. 70.6 PSI
Temperature limits	150 °F	200 °F
Solids handling	max Ø 0.25 inches	max Ø 0.25 inches
Air inlet	1/4" NPT female G 1/2 female	1/4" NPT female G 1/2 female
Air outlet	3/4" NPT female	3/4" NPT female
Suction	1" NPT female	1" NPT female
Discharge	1" NPT female	1" NPT female
Weight	19 lbs	22 lbs

*Based on flooded suction conditions with water and 100 psi air pressure.

Type	Materials of construction		Part No.
	Housing	Diaphragm, Valve Balls, Seals	
1" PPB Geolast®	PP	Geolast®	LJPG-C1
1" PPT Teflon®	PP	Teflon®	LJPT-C1
1" PPE Santoprene®	PP	Santoprene®	LJPE-C1
1" PPV Viton®	PP	Viton®	LJPV-C1
1" KNT Teflon®	Kynar®	Teflon®	LJKT-C1

Material description

Geolast² = NBR/PP compound
 Kynar² = PVDF = Polyvinylidene fluoride
 Nylon = PA = Polyamide-compound
 Polypropylene = PP
 Santoprene² = EPDM/PP-compound
 Teflon² = PTFE = Polytetrafluorethylene
 Viton² = FPM = Fluoro Elastomer

Typical application

Drum and small tank transfer, pickling solutions, chemical feed

Teflon² and Viton² are registered Trademarks of DuPont Company. Kynar² is a registered Trademark of Penwalt Corp. Santoprene² is a registered Trademark of Monsanto Company. Geolast² is a registered Trademark of Advanced Elastomer Systems.