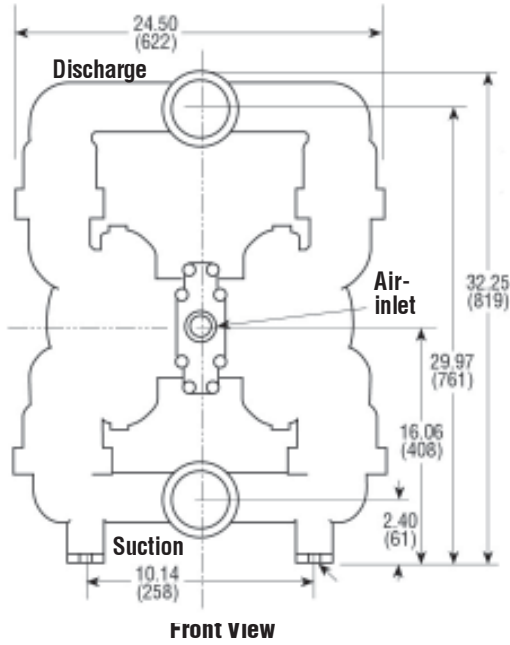
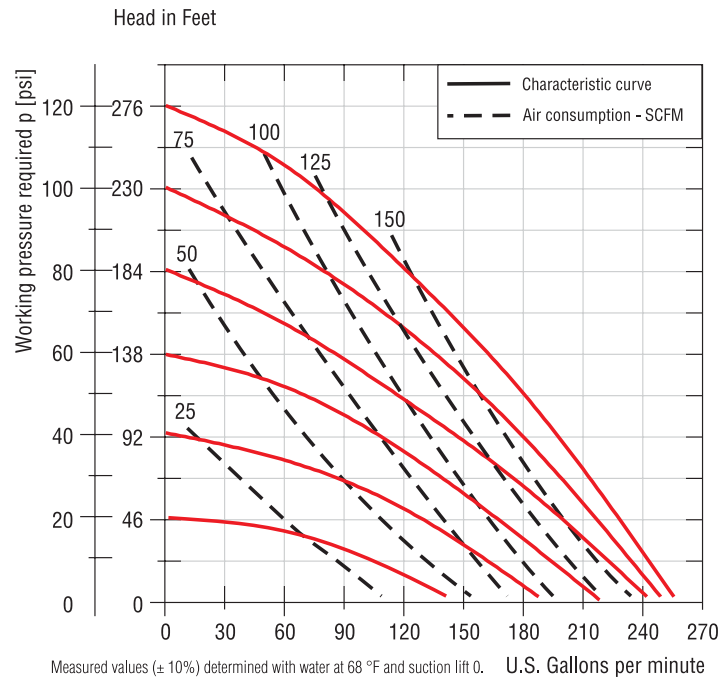
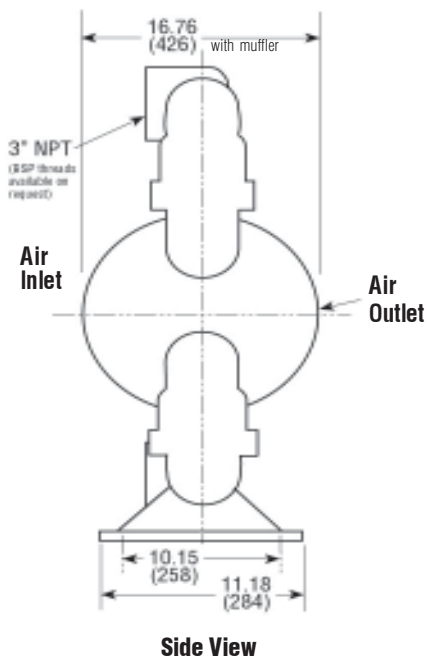


3" Bolted Version (metallic)



Air Operated Diaphragm Pumps ■ AIRTRAN



Dimensions in inches and (mm).

Operating data / Dimensions / Weights	
	3" Aluminum
Housing material	Aluminum
Diaphragm materials	Urethane, Teflon [®] , Santoprene [®] , Viton [®]
Valve ball materials	Geolast [®] , Teflon [®] , Santoprene [®]
Seals	Geolast [®] , EPDM, Teflon [®]
Valve seat	PP, Nylon, EPDM, Teflon [®]
Flow rate	255 gpm
Volume per stroke*	1.230 gal/stroke
Suction lift dry	14.7 ft
Suction lift Teflon [®]	9.8 ft
Operating pressure	max. 120 PSI
Temperature limits	200 °F
Solids handling	max \varnothing 0.44 inches
Air inlet	3/4" NPT female (3/4" BSP female) ¹⁾
Air outlet	3/4" NPT female
Suction	3" NPT Female
Discharge	3" NPT Female
Weight	130 lbs

*Based on flooded suction conditions with water and 100 psi air pressure.

1) If the air flow control valve is used

Type	Materials of construction		Part No.
	Housing	Diaphragm, Valve Balls, Seals	
3" ALB Alu/Urethane	Aluminum	Polyurethane, NBR	LJAG-C3
3" ALE Alu/Santoprene [®]	Aluminum	Santoprene [®] , EPDM	LJAE-C3
3" ALT Alu/Teflon [®]	Aluminum	Teflon [®]	LJAT-C3
3" ALV Alu/Viton [®]	Aluminum	Viton [®]	LJAV-C3

Material description

Geolast[®] = NBR/PP compound
 Nylon = PA = Polyamide-compound
 Polypropylene = PP
 Santoprene[®] = EPDM/PP-compound
 Teflon[®] = PTFE = Polytetrafluorethylene
 Viton[®] = FPM = Fluoro Elastomer
 Polyurethane = PUR

Typical application

Paint, latex, ceramic slip, slurries, polymers, tank car fill and empty

Teflon[®] and Viton[®] are registered Trademarks of DuPont Company. Kynar[®] is a registered Trademark of Penwalt Corp. Santoprene[®] is a registered Trademark of Monsanto Company. Geolast[®] is a registered Trademark of Advanced Elastomer Systems.