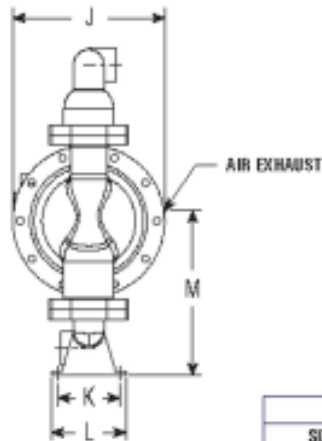
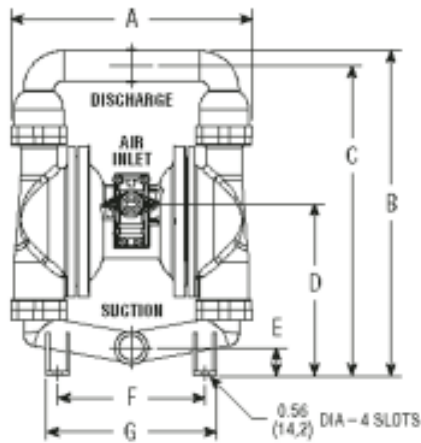
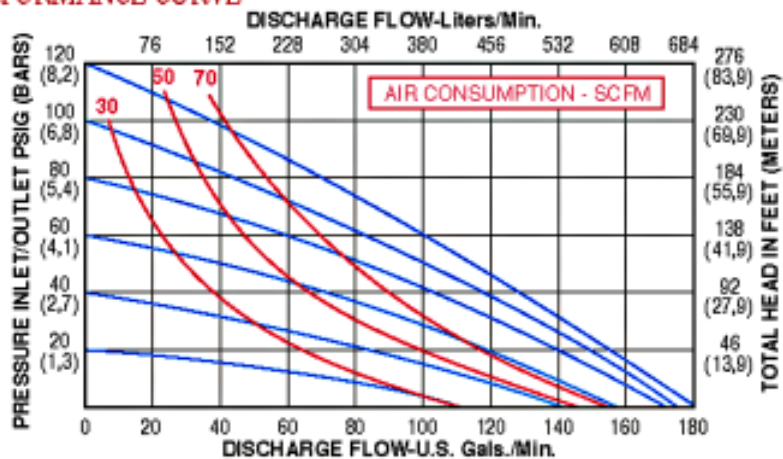


2" Bolted Version (metallic)



MODEL	DIMENSIONS Inches / (mm)										
SIZE (Inlet/Outlet)	A	B	C	D	E	F	G	J	K	L	M
2" Aluminum NPT & BSP	19.50 (495,0)	26.26 (667,0)	25.04 (636,0)	13.86 (352,0)	2.25 (57,1)	10.06 (255,5)	12.00 (304,8)	12.20 (309,9)	5.00 (127,0)	6.00 (152,4)	12.90 (327,6)
2" Stainless Steel NPT & BSP	19.50 (495,0)	24.62 (625,3)	23.00 (584,2)	15.05 (382,3)	3.50 (89,0)	12.00 (304,8)	13.85 (351,5)	12.20 (309,9)	5.00 (127,0)	6.00 (152,4)	14.10 (358,1)
Metal Flange Optional 2" Flange	19.50 (495,0)	24.62 (625,3)	21.62 (549,2)	13.25 (336,6)	3.50 (89,0)	12.00 (304,8)	13.85 (351,5)	11.88 (301,8)	5.00 (127,0)	6.00 (152,4)	12.75 (324,0)

PERFORMANCE CURVE



Dimensions in mm.

Operating data / Dimensions / Weights		
	2" Alum inum	2" Stainless Steel
Housing material	Alum inum	Stainless Steel 1.4404 (316)
Diaphragm materials	Geolasth, Teflonh, Santopreneh	Geolasth, Teflonh, Santopreneh
Valve ball materials	Geolasth, Teflonh, Santopreneh	Geolasth, Teflonh, Santopreneh
Seals	Geolasth, EPDM, Teflonh	Geolasth, EPDM, Teflonh
Valve seat	PP, Nylon	Stainless Steel
Flow rate	0-180 gpm	0-180 gpm
Volume per stroke*	48 gal/stroke	48 gal/stroke
Suction lift dry	15 ft	15 ft
Suction lift Teflonh	10 ft	10 ft
Operating pressure	max. 120 PSI min. 20 PSI	max. 120 PSI min. 20 PSI
Temperature limits	200 °F	200 °F
Solids handling	max 0.25 inches	max 0.25 inches
Air inlet	3/4" NPT/BSP female	3/4" NPT/BSP female
Air outlet	3/4" NPT/BSP female	3/4" NPT/BSP female
Suction	2" DN/ANSI Flange	2" DN/ANSI Flange
Discharge	2" DN/ANSI Flange	2" DN/ANSI Flange
Weight	61 lbs	133 lbs

*Based on flooded suction conditions with water and 100 psi air pressure.

Type	Materials of construction		Part No. F = flanged T = threaded
	Housing	Diaphragm, Valve Balls, Seals	
2" ALB Alum inum / Geolasth	Alum inum	Geolasth	LJAG-B2F LJAG-B2T
2" ALE Alum inum / Santopreneh	Alum inum	Santopreneh	LJAE-B2F LJAE-B2T
2" ALT Alum inum / Teflonh	Alum inum	Teflonh	LJAT-B2F LJAT-B2T
2" SST SS/Teflonh	Stainless Steel	Teflonh	LJST-B2
2" SSB SS/Geolasth	Stainless Steel	Geolasth	LJSG-B2
2" SSE SS/Santopreneh	Stainless Steel	Santopreneh	LJSE-B2

Material description

Geolast® = NBR/PP compound
 Nylon = PA = Polyamide-compound
 Polypropylene = PP
 Santoprene® = EPDM/PP-compound
 Teflon® = PTFE = Polytetrafluorethylene
 Viton® = FPM = Fluoro Elastomer

Typical application

Paint, latex, ceramic slip, slurries, polymers, tank car fill and empty, foods

Teflon® and Viton® are registered Trademarks of DuPont Company. Kynar® is a registered Trademark of Penwalt Corp. Santoprene® is a registered Trademark of Monsanto Company. Geolast® is a registered Trademark of Advanced Elastomer Systems.