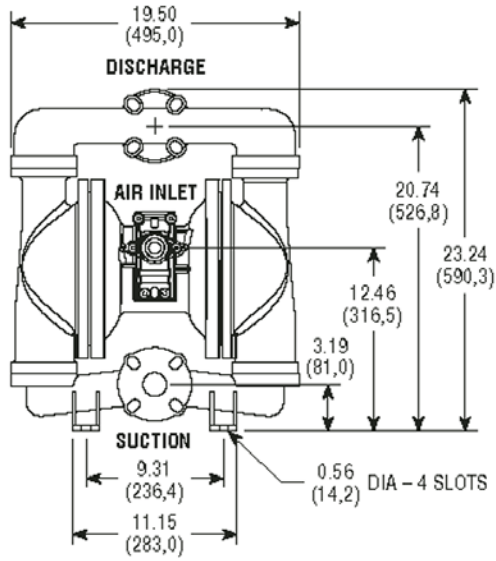
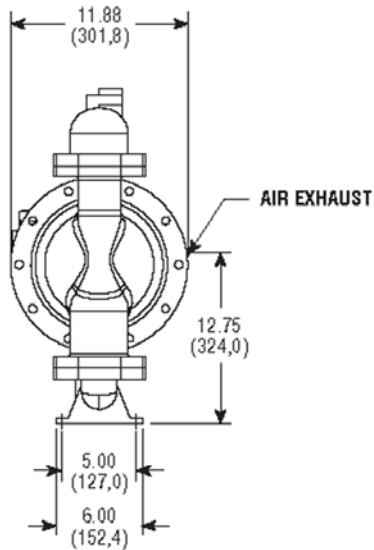


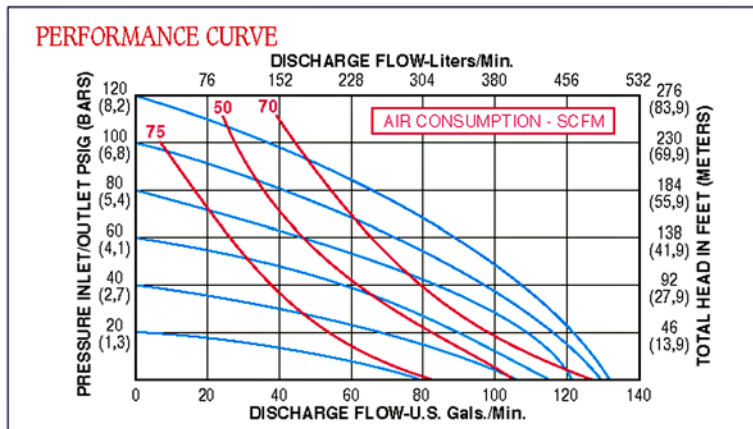
1 1/2" Bolted Version (metallic)



Front View



Side View



Dimensions in inches and (mm).

Operating Data / Dimensions / Weights		
	1 1/2" Aluminum	1 1/2" Stainless Steel
Housing material	Aluminum	Stainless Steel 1.4404 (316)
Diaphragm materials	Geolast®, Teflon®, Santoprene®	Geolast®, Teflon®, Santoprene®
Valve ball materials	Geolast®, Teflon®, Santoprene®	Geolast®, Teflon®, Santoprene®
Seals	Geolast®, EPDM, Teflon®	Geolast®, EPDM, Teflon®
Valve seat	PP, Nylon	Stainless Steel
Flow rate	0 - 130 gpm	0 - 130 gpm
Volume per stroke*	.460 gal/stroke	.460 gal/stroke
Suction lift dry	14.7 ft	14.7 ft
Suction lift Teflonh	9.8 ft	9.8 ft
Operating pressure	max. 120 PSI min. 20 PSI	max. 120 PSI min. 20 PSI
Temperature limits	200 °F	200 °F
Solids handling	max x 0.25 inches	max x 0.25 inches
Air inlet	3/4" NPT female (3/4" BSP female) ¹⁾	3/4" NPT female (3/4" BSP female) ¹⁾
Air outlet	3/4" NPT female	3/4" NPT female
Suction	Flange DIN DN 40 PN 10/ ANSI B 16.5 1-1/2" 150 PSI	Flange DIN DN 40 PN 10/ ANSI B 16.5 1-1/2" 150 PSI
Discharge	Flange DIN DN 40 PN 10/ ANSI B 16.5 1-1/2" 150 PSI	Flange DIN DN 40 PN 10/ ANSI B 16.5 1-1/2" 150 PSI
Weight	61.6 lbs	133 lbs

*Based on flooded suction conditions with water and 100 psi air pressure.

¹⁾ If the air flow control valve is used

Type	Materials of construction		Part No.
	Housing	Diaphragm, Valve Balls, Seals	
1-1/2" ALB Aluminum/Geolast®	Aluminum	Geolast®	LJAG-B11/2
1-1/2" ALT Aluminum/Teflon®	Aluminum	Teflon®	LJAT-B11/2
1-1/2" ALE Aluminum/Santoprene®	Aluminum	Santoprene®	LJAE-B11/2
1-1/2" SSB SS/Geolast®	Stainless Steel	Geolast®	LJSG-B11/2
1-1/2" SST SS/Teflon®	Stainless Steel	Teflon®	LJST-B11/2
1-1/2" SSE SS/Santoprene®	Stainless Steel	Santoprene®	LJSE-B11/2

Material description

Geolast® = NBR/PP-compound
 Kynar® = PVDF = Polyvinylidenfluoride
 Polypropylene = PP
 Santoprene® = EPDM/PP-compound
 Teflon® = PTFE = Polytetrafluorethylene

Typical application

Filter press, tank cleaning systems, pigments and resins

Teflon® and Viton® are registered Trademarks of DuPont Company. Kynar® is a registered Trademark of Penwalt Corp. Santoprene® is a registered Trademark of Monsanto Company. Geolast® is a registered Trademark of Advanced Elastomer Systems.