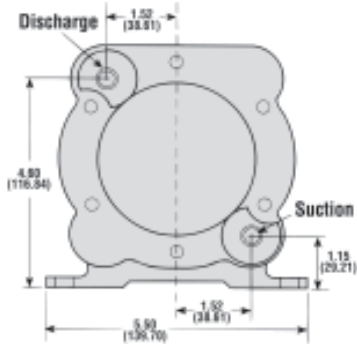
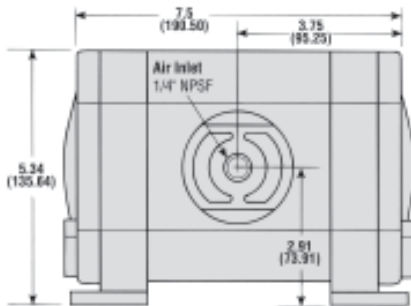


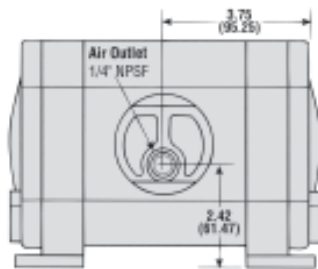
## 1/4" Bolted Version (non-metallic)



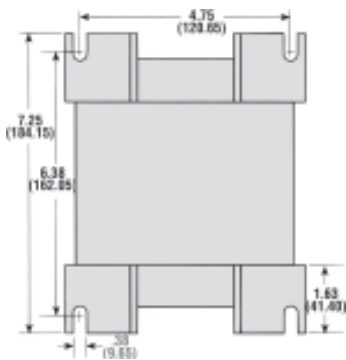
Side View



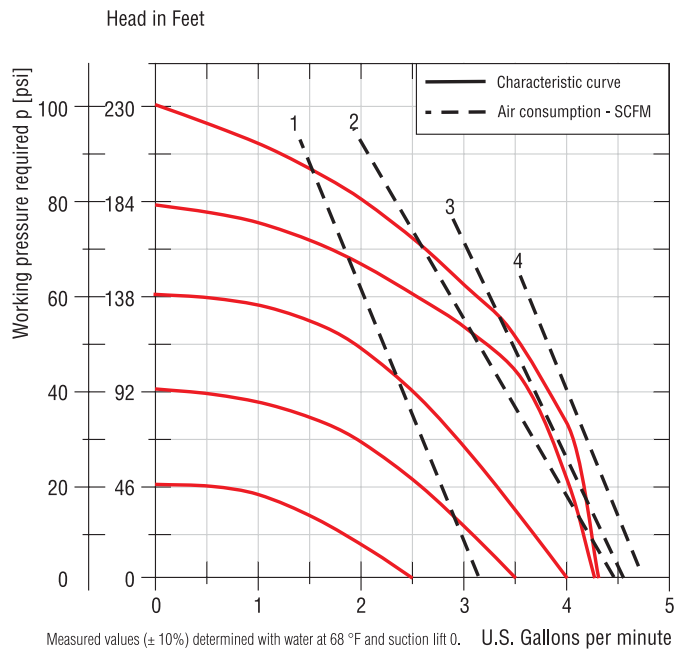
Front View



Rear View



Mounting Positions



Dimensions in inches and (mm).

Operating data / Dimensions / Weights			
	DMP 1/4" PP	DMP 1/4" Kynar®	DMP 1/4" Nylon
Housing material	Polypropylene	Kynar®	Nylon
Diaphragm materials	Geolast®, Santoprene®, Teflon®	Teflon®	Teflon®
Valve material	Teflon®	Teflon®	Teflon®
Seats	Geolast®, Santoprene®, Teflon®	Teflon®	Teflon®
Flow rate	4.3 gpm	4.3 gpm	4.3 gpm
Volume per stroke*	0.006 gal/stroke	0.006 gal/stroke	0.006 gal/stroke
Suction lift dry	17 ft	17 ft	17 ft
Operating pressure	max. 100 psi	max. 100 psi	max. 100 psi
Temperature limits	150 °F	200 °F	150 °F
Solids handling	max. ∅ 0.06 in	max. ∅ 0.06 in	max. ∅ 0.06 in
Air inlet	1/4" NPT female G 1/2 NPT female	1/4" NPT female G 1/2 NPT female	1/4" NPT female G 1/2 NPT female
Air outlet	1/4" NPSF female	1/4" NPSF female	1/4" NPSF female
Suction	1/4" NPT female	1/4" NPT female	1/4" NPT female
Discharge	1/4" NPT female	1/4" NPT female	1/4" NPT female
Weight	5 lbs	7 lbs	5 lbs

\*Based on flooded suction conditions with water and 100 psi air pressure.

Type	Materials of construction		Part No.
	Housing	Diaphragm, Seals	
DMP 1/4" PPB Geolast®	PP	Geolast®	LJPGT-B1/4
DMP 1/4" PPE Santoprene®	PP	Santoprene®	LJPST-B1/4
DMP 1/4" PPT Teflon®	PP	Teflon®	LJPT-B1/4
DMP 1/4" KNT Teflon®	Kynar®	Teflon®	LJKT-B1/4
DMP 1/4" NT Teflon®	Nylon	Teflon®	LJNT-B1/4
DMP 1/4" NTC Teflon®*	Nylon	Teflon®	LJNGT-B1/4

\*conductive version Ex II 2G CT4

### Material description

Geolast<sup>2</sup> = NBR/PP compound  
 Kynar<sup>2</sup> = PVDF = Polyvinylidene fluoride  
 Nylon = PA = Polyamide-compound  
 Polypropylene = PP  
 Santoprene<sup>2</sup> = EPDM/PP-compound  
 Teflon<sup>2</sup> = PTFE = Polytetrafluorethylene

### Typical application

For the laboratory sector, small plants, requirements with small delivery volume at relatively high pressure

Teflon<sup>2</sup> and Viton<sup>2</sup> are registered Trademarks of DuPont Company. Kynar<sup>2</sup> is a registered Trademark of Penwalt Corp. Santoprene<sup>2</sup> is a registered Trademark of Monsanto Company. Geolast<sup>2</sup> is a registered Trademark of Advanced Elastomer Systems.