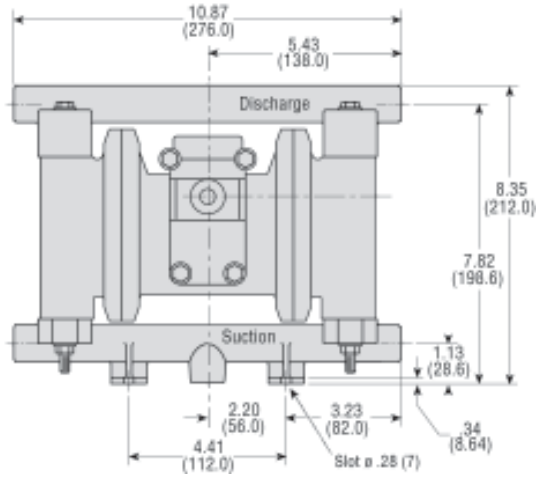
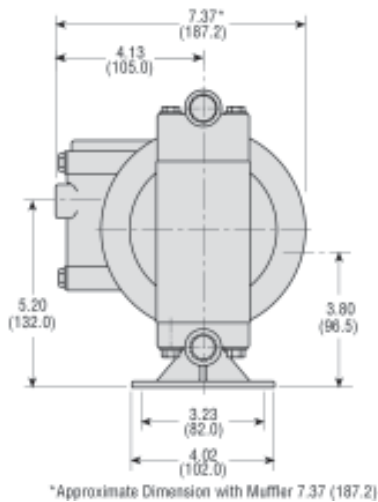


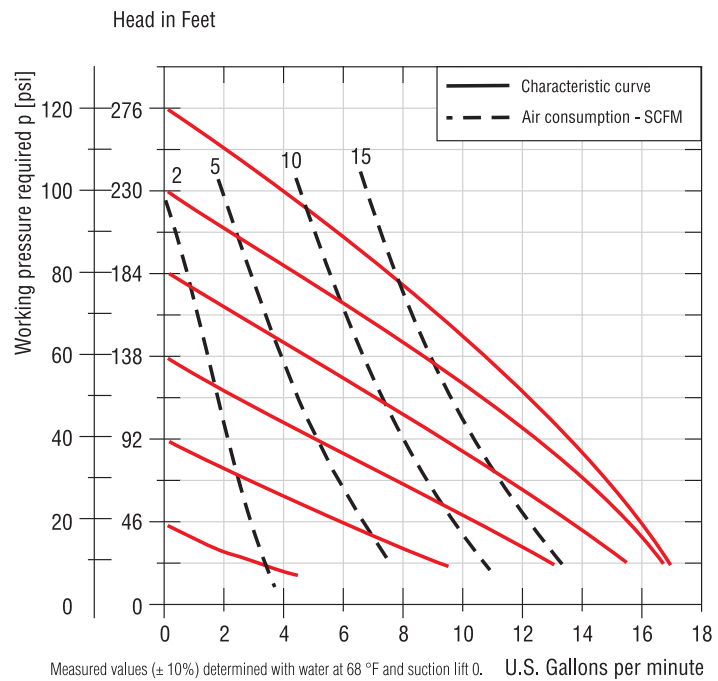
1/2" Bolted Version (metallic)



Front View



Side View



Dimensions in inches and (mm).

Operating data / Dimensions / Weights		
	1/2" Aluminum	1/2" Stainless Steel
Housing material	Aluminum	Stainless Steel 1.4404 (316)
Diaphragm materials	Geolast [®] , Santoprene [®] , Teflon [®] , Viton [®]	Geolast [®] , Teflon [®] , Santoprene [®] , Viton [®]
Valve ball materials	Geolast [®] , Santoprene [®] , Teflon [®] , Viton [®]	Geolast [®] , Teflon [®] , Santoprene [®] , Viton [®]
Seals	Geolast [®] , EPDM, Teflon [®] , Viton [®]	Geolast [®] , EPDM, Teflon [®] , Viton [®]
Valve seat	PP, Nylon	Stainless Steel
Flow rate	17 gpm	17 gpm
Volume per stroke*	.025 gal/stroke	.025 gal/stroke
Suction lift dry	14.7 ft	14.7 ft
Suction lift Teflon [®]	9.8 ft	9.8 ft
Operating pressure	max. 120 PSI	max. 120 PSI
Temperature limits	200 °F	200 °F
Solids handling	max ∅ 0.12 inches	max ∅ 0.12 inches
Air inlet	1/4" NPT female G 1/2" BSP female	1/4" NPT female G 1/2" BSP female
Air outlet	3/8" NPT female	3/8" NPT female
Suction	1/2" NPS female	1/2" NPS female
Discharge	1/2" NPS female	1/2" NPS female
Weight	10 lbs	19 lbs

*Based on flooded suction conditions with water and 100 psi air pressure.

Type	Materials of construction		Part No.
	Housing	Diaphragm, Valve Balls, Seals	
1/2" ALB Alu/Geolast [®]	Aluminum	Geolast [®]	LJAG-B 1/2
1/2" ALE Alu/Santoprene [®]	Aluminum	Santoprene [®]	LJAE-B 1/2
1/2" ALT Alu/Teflon [®]	Aluminum	Teflon [®]	LJAT-B 1/2
1/2" ALV Alu/Viton [®]	Aluminum	Viton [®]	LJAV-B 1/2
1/2" SSB SS/Geolast [®]	Stainless Steel	Geolast [®]	LJSG-B 1/2
1/2" SSE SS/Santoprene [®]	Stainless Steel	Santoprene [®]	LJSE-B 1/2
1/2" SST SS/Teflon [®]	Stainless Steel	Teflon [®]	LJST-B 1/2
1/2" SSV SS/Viton [®]	Stainless Steel	Viton [®]	LJSV-B 1/2

Material description

Geolast[®] = NBR/PP compound
 Kynar[®] = PVDF = Polyvinylidene fluoride
 Nylon = PA = Polyamide-compound
 Santoprene[®] = EPDM/PP-compound
 Teflon[®] = PTFE = Polytetrafluorethylene
 Viton[®] = FPM = Fluoro Elastomer

Typical application

200 l-drum pumping, ink recirculation and feed, chemicals, solvents, acids, soap dispensing

Teflon[®] and Viton[®] are registered Trademarks of DuPont Company. Kynar[®] is a registered Trademark of Penwalt Corp. Santoprene[®] is a registered Trademark of Monsanto Company. Geolast[®] is a registered Trademark of Advanced Elastomer Systems.