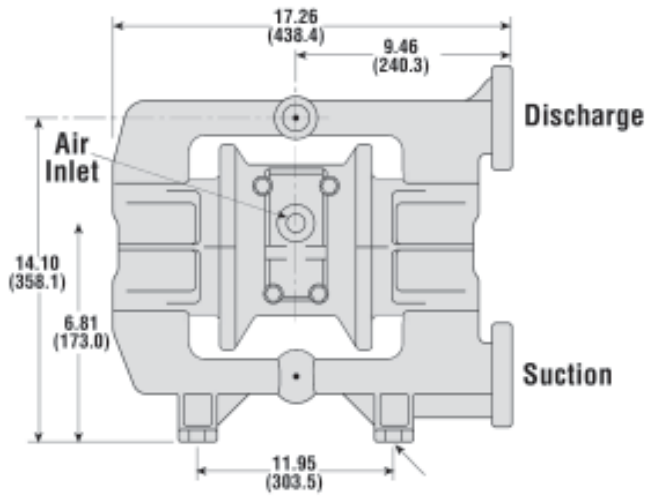
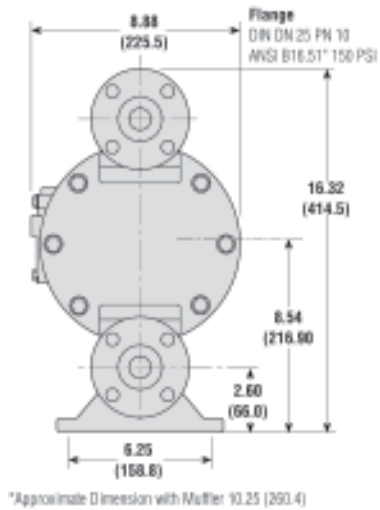
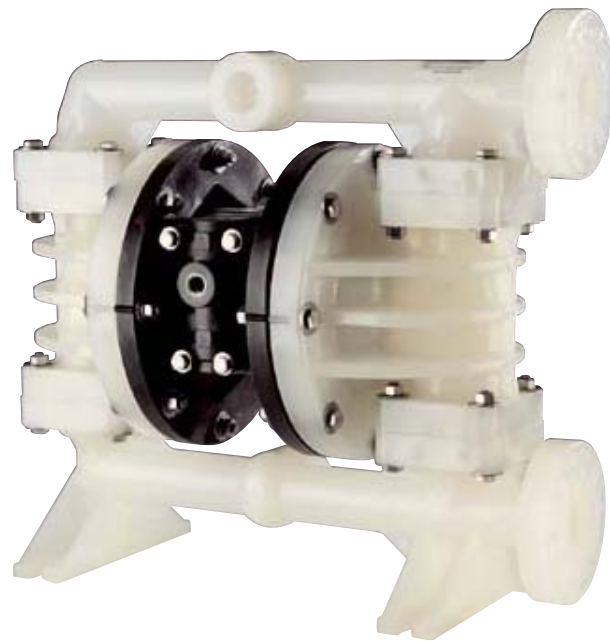


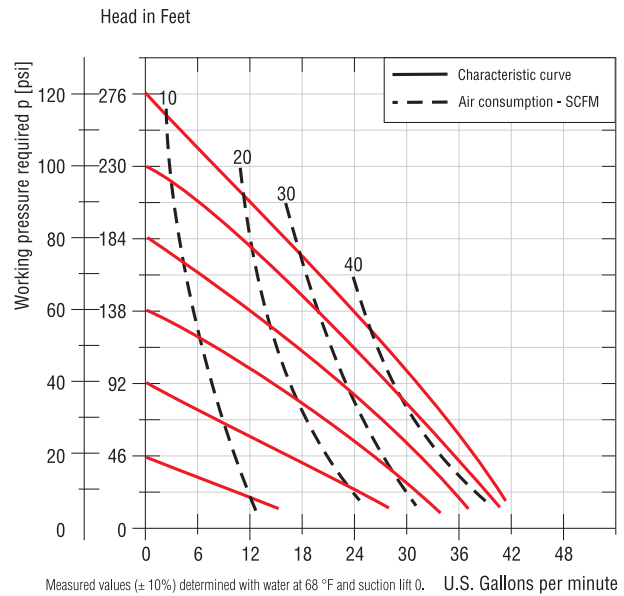
## 1" Bolted Version (non-metallic)



Front View



Side View



Dimensions in inches and (mm).

Operating data / Dimensions / Weights		
	1" PP	1" Kynar®
Housing material	Polypropylene	Kynar®
Diaphragm materials	Geolast®, Santoprene®, Teflon®, Viton®	Teflon®, Santoprene®, Viton®
Valve ball materials	Geolast®, Santoprene®, Teflon®, Viton®	Teflon®, Viton®
Seals	Geolast®, Santoprene®, Teflon®, Viton®	Teflon®, Viton®
Valve seat	PP	Kynar®
Flow rate	41.2 gpm	41.2 gpm
Volume per stroke*	.083 gal/stroke	.083 gal/stroke
Suction lift dry	14.7 ft	14.7 ft
Suction lift Teflon®	9.8 ft	9.8 ft
Operating pressure	max. 120 PSI	max. 120 PSI
Temperature limits	150 °F	200 °F
Solids handling	max ∅ 0.24 inches	max ∅ 0.24 inches
Air inlet	1/4" NPT female 1/2" BSP female	1/4" NPT female 1/2" BSP female
Air outlet	3/8" NPT female	3/8" NPT female
Suction	1" DIN/ANSI Flange	1" DIN/ANSI Flange
Discharge	1" DIN/ANSI Flange	1" DIN/ANSI Flange
Weight	20 lbs	30 lbs

\*Based on flooded suction conditions with water and 100 psi air pressure.

Type	Materials of Construction		Part No.
	Housing	Diaphragm, Valve Balls, Seals	
1" PPB PP/Geolast®	PP	Geolast®	LJPG-B1
1" PPE PP/Teflon®	PP	Teflon®	LJPT-B1
1" PPT PP/Santoprene®	PP	Santoprene®	LJPE-B1
1" PPV PP/Viton®	PP	Viton®	LJPV-B1
1" KNV KN/Teflon®	Kynar®	Teflon®	LJKT-B1

### Material description

Geolast® = NBR/PP compound  
 Kynar® = PVDF = Polyvinylidene fluoride  
 Polypropylene = PP  
 Santoprene® = EPDM/PP-compound  
 Teflon® = PTFE = Polytetrafluorethylene  
 Viton® = FPM = Fluoro Elastomer

### Typical application

Drum and small tank transfer, pickling solutions, chemical feed

Teflon® and Viton® are registered Trademarks of DuPont Company. Kynar® is a registered Trademark of Penwalt Corp. Santoprene® is a registered Trademark of Monsanto Company. Geolast® is a registered Trademark of Advanced Elastomer Systems.