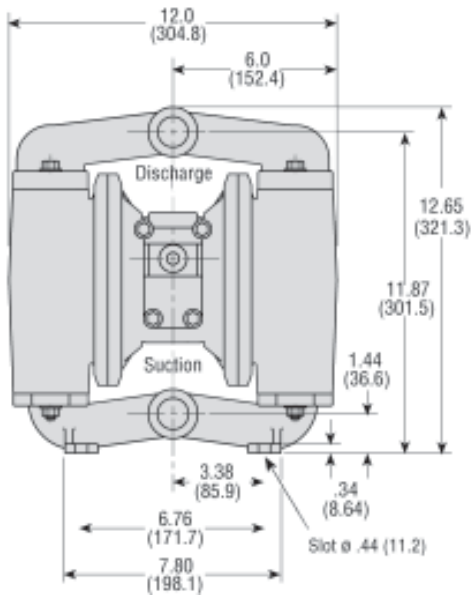
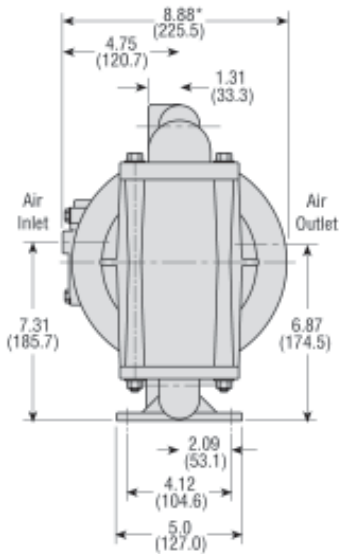


1" Bolted Version (metallic)



Front View

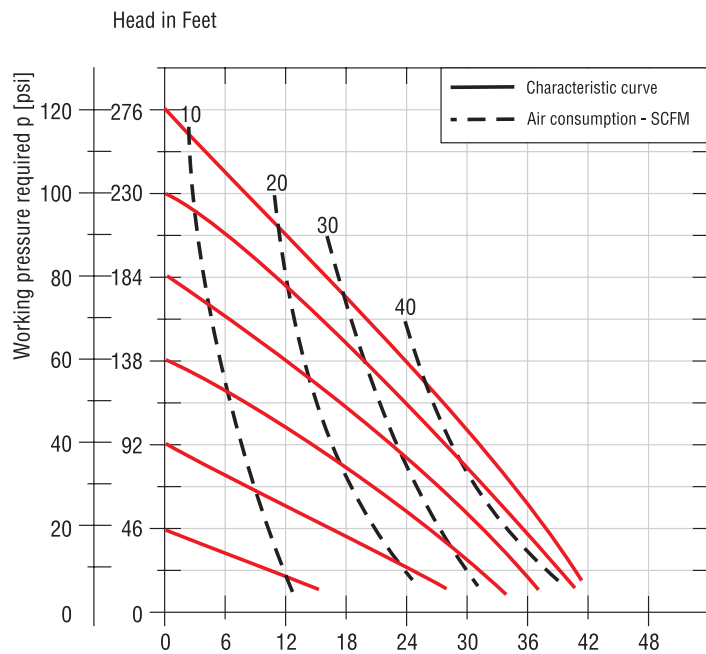


*Approximate Dimension with Muffler 10.25 (260.4)

Side View



Air Operated Diaphragm Pumps ■ AIRTRAN



Measured values ($\pm 10\%$) determined with water at 68 °F and suction lift 0. U.S. Gallons per minute

Dimensions in mm.

Operating data / Dimensions / Weights		
	1" Aluminum	1" Stainless Steel
Housing material	Aluminum	Stainless Steel 1.4404 (316)
Diaphragm materials	Geolast [®] , Santoprene [®] , Teflon [®] , Viton [®]	Geolast [®] , Teflon [®] , Santoprene [®] , Viton [®]
Valve ball materials	Geolast [®] , Santoprene [®] , Teflon [®] , Viton [®]	Geolast [®] , Teflon [®] , Santoprene [®] , Viton [®]
Seals	Geolast [®] , Teflon [®] , Santoprene [®] , Viton [®]	Geolast [®] , Teflon [®] , Santoprene [®] , Viton [®]
Valve seat	PP, Nylon	Stainless Steel
Flow rate	41 gpm	41 gpm
Volume per stroke*	0.22	0.22
Suction lift dry	14.7 ft	14.7 ft
Suction lift Teflon [®]	9.8 ft	9.8 ft
Maximum air pressure	max. 120 PSI	max. 120 PSI
Temperature limits	200 °F	200 °F
Solids handling	max ∅ 0.25 inches	max ∅ 0.25 inches
Air inlet	1/4" NPT female (G 1/2" female) ¹⁾	1/4" NPT female (G 1/2" female) ¹⁾
Air outlet	3/8" NPT female	3/8" NPT female
Suction	1" NPT	1" NPT
Discharge	1" NPT	1" NPT
Weight	23 lbs	45 lbs

*Based on flooded suction conditions with water and 100 psi air pressure.

1) If the air flow control valve is used

Type	Materials of construction		Part No.
	Housing	Diaphragm, Valve Balls, Seals	
1" ALB Alu/Geolast [®] *	Aluminum	Geolast [®]	LJAG-B1
1" ALE Alu/Santoprene [®] *	Aluminum	Santoprene [®]	LJAE-B1
1" ALT Alu/Teflon [®] *	Aluminum	Teflon [®]	LJAT-B1
1" ALV Alu/Viton [®] *	Aluminum	Viton [®]	LJAV-B1
1" SSB SS/Geolast [®] *	Stainless Steel	Geolast [®]	LJSG-B1
1" SSE SS/Santoprene [®] *	Stainless Steel	Santoprene [®]	LJSE-B1
1" SST SS/Teflon [®] *	Stainless Steel	Teflon [®]	LJST-B1
1" SSV SS/Viton [®] *	Stainless Steel	Viton [®]	LJSV-B1

*Ex II 2G CT4

Material description

Geolast[®] = NBR/PP compound
 Kynar[®] = PVDF = Polyvinylidenefluoride
 Nylon = PA = Polyamide-compound
 Polypropylene = PP
 Santoprene[®] = EPDM/PP-compound
 Teflon[®] = PTFE = Polytetrafluorethylene

Typical application

Drum and small tank transfer, pickling solutions, chemical feed

Teflon[®] and Viton[®] are registered Trademarks of DuPont Company. Kynar[®] is a registered Trademark of Penwalt Corp. Santoprene[®] is a registered Trademark of Monsanto Company. Geolast[®] is a registered Trademark of Advanced Elastomer Systems.