

## General description

The MEMDOS MN series is the result of a consistent, ongoing development of proven technology and the use of modern plastics.

With metering rates of 3 l/h up to 39 l/h the MEMDOS MN leakproof diaphragm metering pump has a wide range of application.

The MEMDOS MN is available as single metering pump with the metering head mounted on the right-hand side.

## Metering head

Standard materials for the metering heads are rigid PVC, PVDF and stainless steel.

Other materials are available upon request.

## Valves

Priming and discharge valves are designed as double-ball valves. For metering chemicals with a viscosity higher than approximately 400 mPas spring-loaded single-ball valves are recommended.

## Separation chamber

The diaphragm flange between metering head and gearbox is designed as separation chamber. In the case of diaphragm rupture resulting from wear the leakage is directed downwards by means of a drainage pipe.

## Drive

A three-phase sectional motor provides the electrical drive. AC operation is also possible.

In the case of this sectional motor the conventional motor end plates are replaced by the pump base and the gearbox. This gives the MEMDOS MN a compact form.

For metering pumps with variable-speed DC (ATG) or explosion-proof motors, see MB 1 04 05.

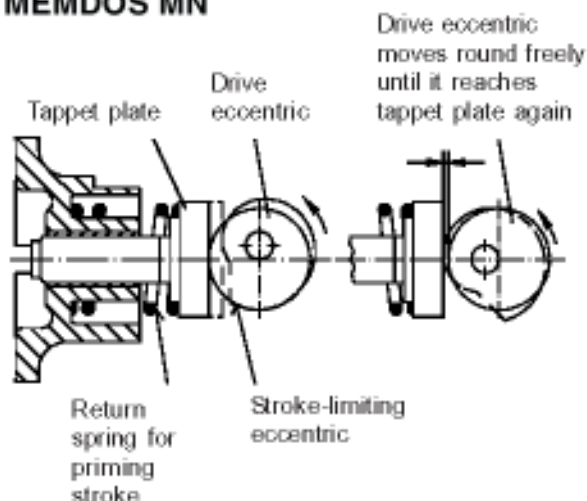
The gearing, consisting of a single-stage worm gear, the gearing components, as well as the bearing, are lifetime lubricated.

The discharge stroke is carried out by an eccentric actuating the diaphragm by means of a spring-loaded tappet. The suction stroke is effected by spring return. Stroke adjustment can be carried out either manually or electrically (ATE).



## Functional diagram

### MEMDOS MN



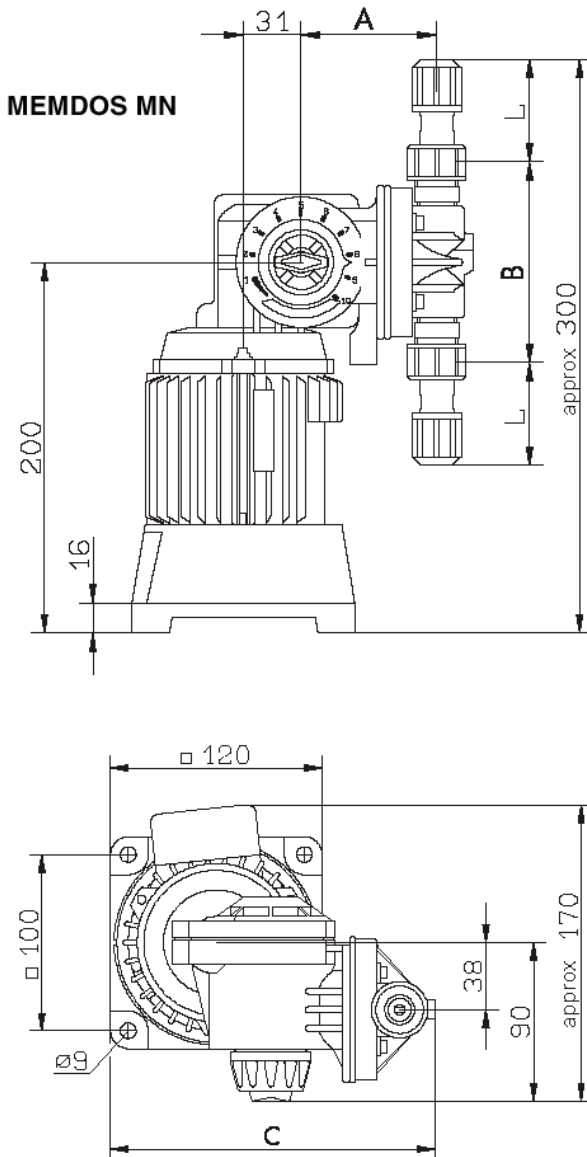
**Optional accessories**

**Stroke counter**

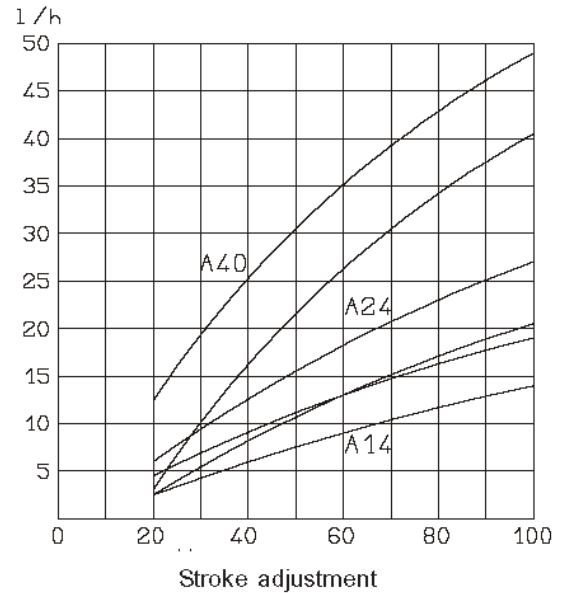
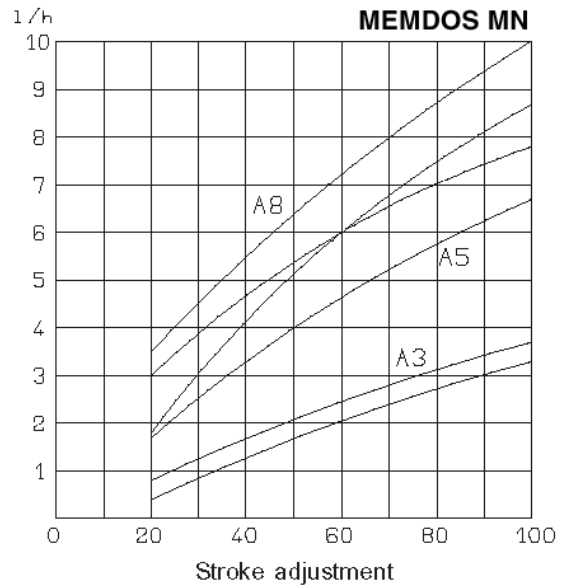
For batch processes the pump can be equipped with an inductive detector for the eccentric shaft which is available upon request.

**ATE**

Electrical, reversible actuator for remote stroke length adjustment by means of hand-held keypad or 3-point step controller.



	A	B	C
A3...24	73	184	108
A40	109	218	153



- A3 ... A24  
Top curve shows capacity at zero pressure.  
Bottom curve shows capacity against 10 bar.
- A40  
Top curve shows capacity against 2 bar.  
Bottom curve shows capacity against 5 bar.