

Unbeatable in price and performance

The MEMDOS MD combines good dosing qualities with a robust design - at an affordable price.

It is based on an operating mechanical dosing principle that has been successful for many years, with minimal maintenance costs. An almost silent and leak free diaphragm dosing pump, all four models reach a dosing range of up to 37.5 gph. In addition, its performance has a variable speed from 0 to 100%.

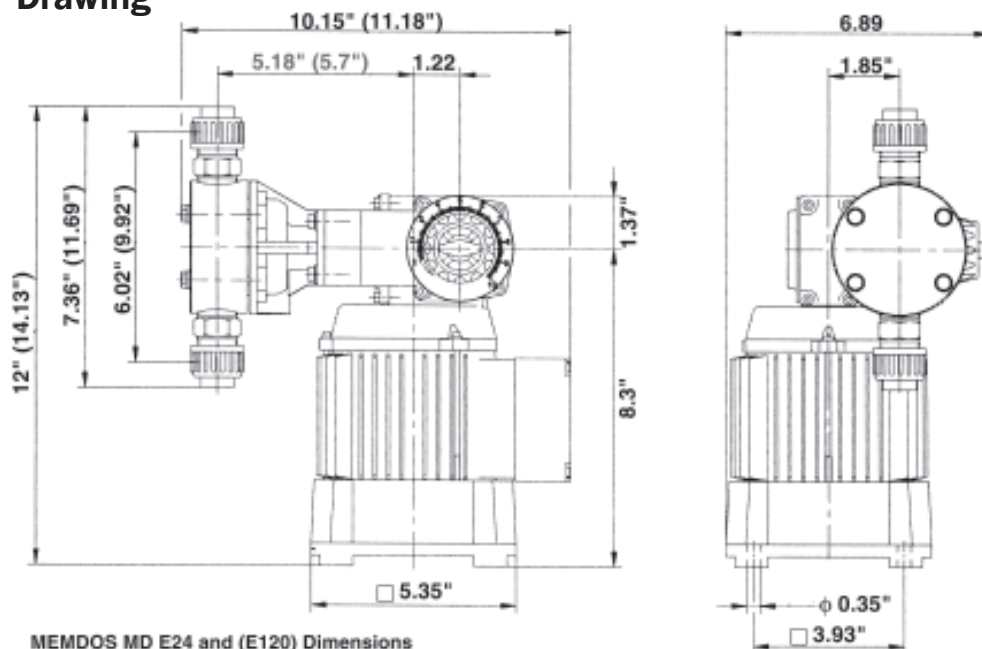
The MEMDOS MD is a simple dosing pump with a dosing head mounted on the left-hand side. The dosing head and valves are available in different materials. The electrical connection for the three-phase motor goes direct to the terminal box. It is also possible to operate it on alternating voltage.



In short

- Easy to use
- Gear parts and storage are lubricated for life
- Hub length is manually adjustable from 0 - 100%
- Max. dosing range: 37.5 gph
- Suitable for toxic and aggressive substances
- Materials: PVC, PP, PVDF, stainless dosing head and valves; seal FPM
- Valves as double-ball valves
- Coated in EPDM - PTFE lining
- Gearbox with one-level worm-wheel gear-ratio

Dimension Drawing



Technical Data

MEMDOS MD	E24	E48	E120
Flow rate (gph) - max. pressure (PSI)	7.95 gph 150 PSI	15.85 gph 75 PSI	37.5 gph 30 PSI
Max. pressure ¹	150	75	30
Stroke frequency (1/min)	48	96	96
Stroke volume (ml/Hub)	8.5	8.5	20.8
Diaphragm - ∅ (mm)	64	64	90
Suction lift (ft)	23	23	10
Double ball valve in pipe diameter	DN6	DN6	DN10
Max. environment temperature (°F)	113 °F (with PVC max. 104 °F)		
Max. medium temperature (°F)	122 °F (with PVC max. 95 °F)		
Motor specifications 3-Phase	400V/50Hz - 440V/60Hz - 0.05kW - 0.5A		
Motor specifications 1-Phase	110V/60Hz - .0625 H.P. - 0.85A		
Weight of plastic model (lb)	15.5	15.5	17.6

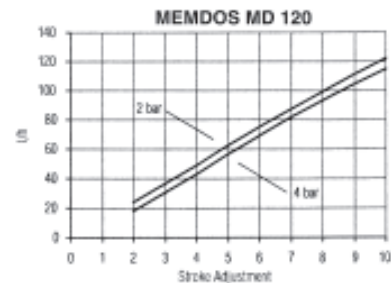
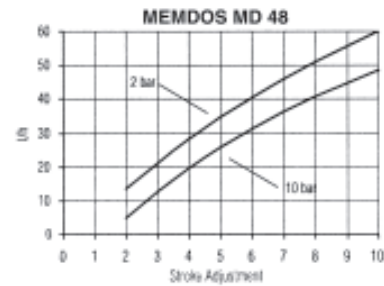
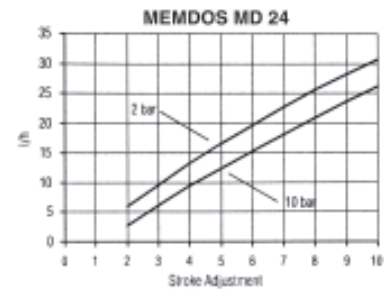
1. Single Phase (PSI)

Range of Standard Pumps

Type	Material	Connections
E 24	PVC	1/4" - 3/8" tubing
	PP	Terminal connections 1/4" - 3/8" tubing
	PVDF	Terminal connections 1/4" - 3/8" tubing
	Stainless Steel	insert nut G 1/4 internal 1/4" NPT
E 48	PVC	Terminal connection 1/4" - 3/8" tubing
	PP	Terminal connection 1/4" - 3/8" tubing
	PVDF	Terminal connection 1/4" - 3/8" tubing
	Stainless Steel	insert nut G 1/4 internal G 1/4" NPT
E 120	PVC	Terminal connection 5/8" x 3/4"
	PP	Terminal connection 5/8" x 3/4"
	PVDF	welding socket 5/8" x 3/4"
	Stainless Steel	insert nut 3/4" NPT

Mechanical Handling Characteristics

Characteristics of the mechanical handling rank at 68°F (20°C) for water. Mediums (specific gravity and viscosity) and temperature change the mechanical handling capacity. Therefore dosing pumps must be litred out during use.



- All the operational pumps in the Range Table have seals made from FPM
- Other materials on request
- Suction and discharge sides have the same size connection