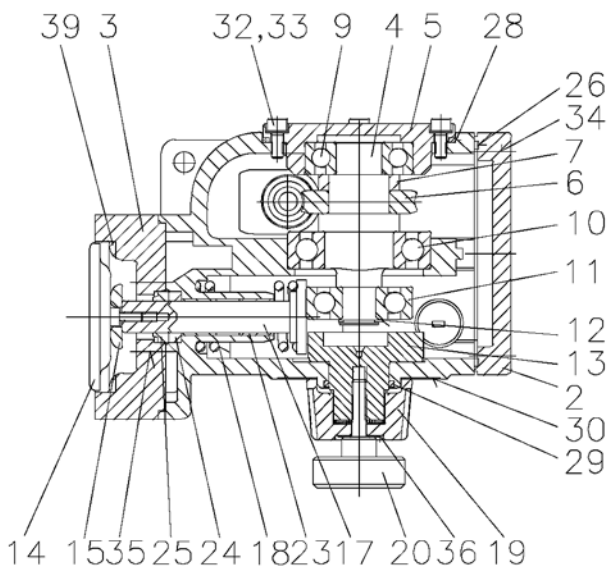
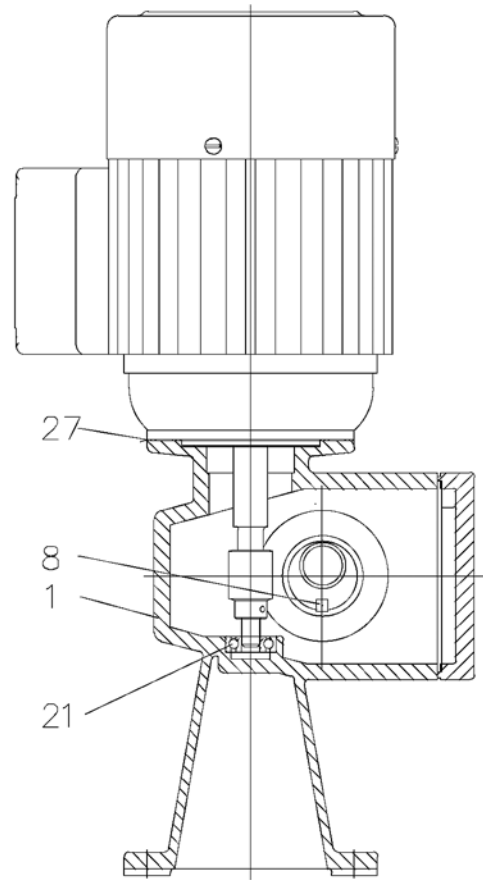
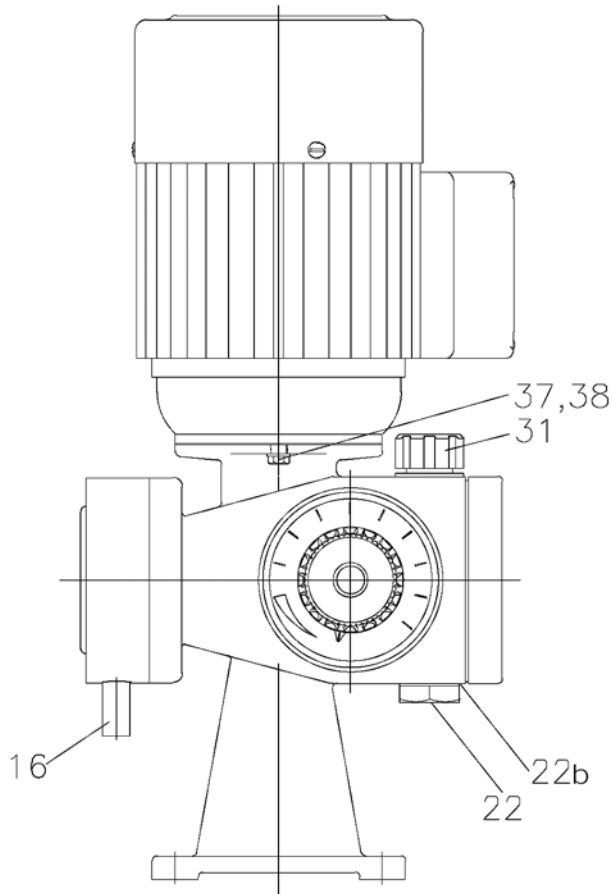


Drive MEMDOS E/DX 4-156



Refer to the following page for a detailed list of these parts.

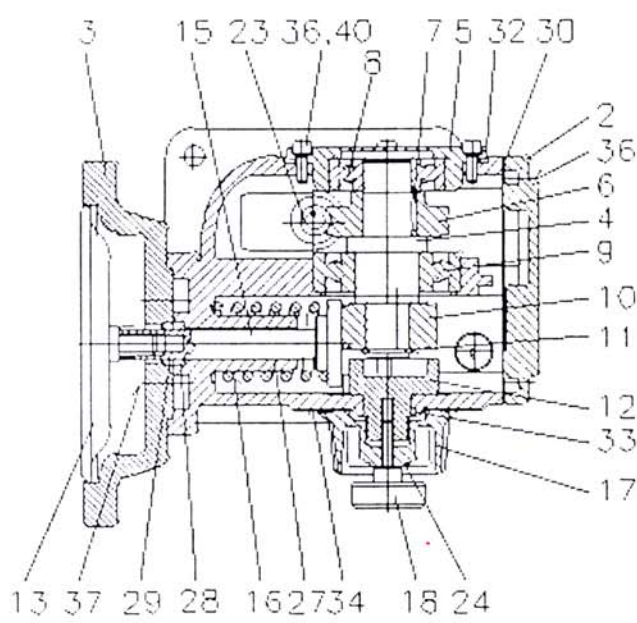
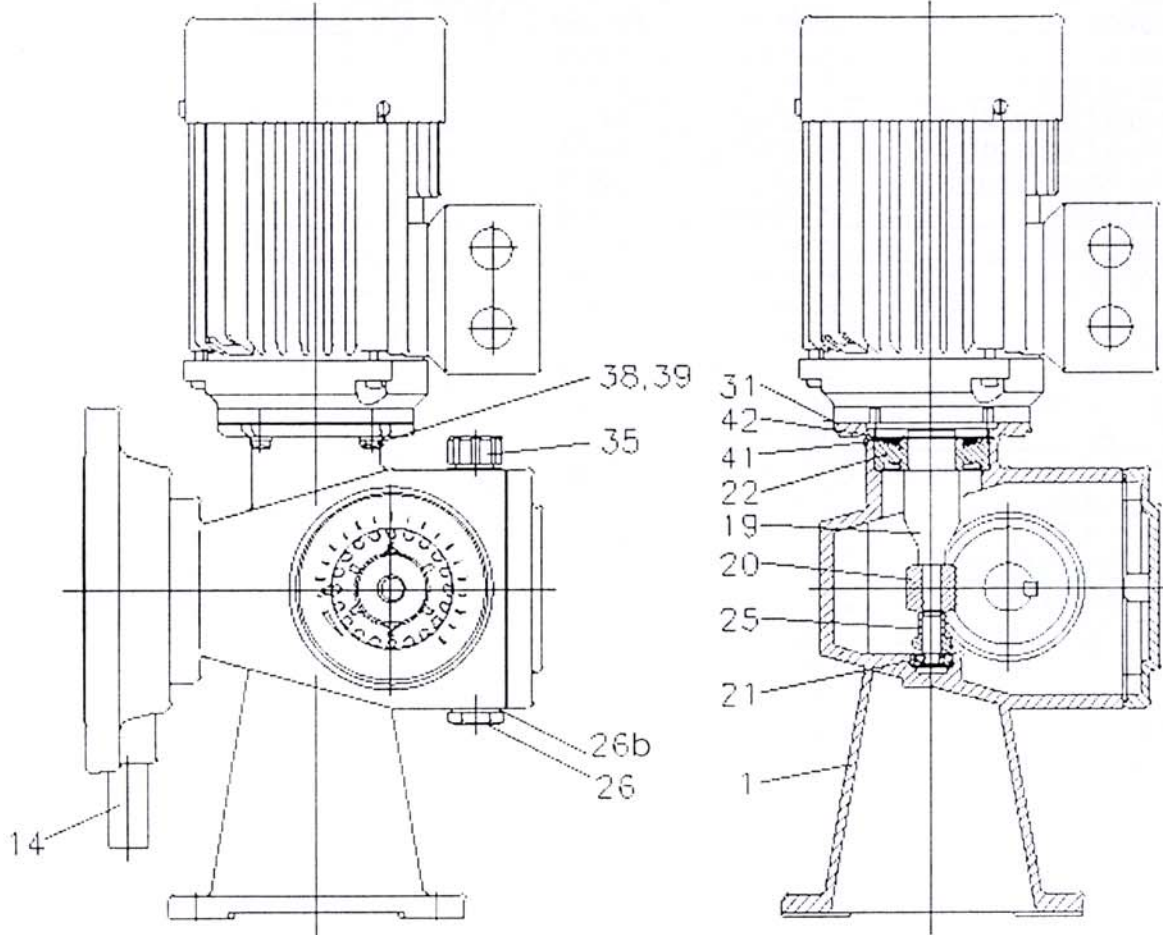
Drive MEMDOS E/DX 4-156

Item	Description	Material	Part No.	E/DX Model Size								
				4	8	15	26	50	76	110	156	
1	Gearbox +	Aluminum	34850	1	1	1	1	1	1	1	1	1
2	Housing Cover E*	Aluminum	34851	1	1	1	1	1	1	1	1	1
3	Diaphragm Flange, d52	PP	34877	1	1	1	1	--	--	--	--	--
	Diaphragm Flange, d64	PP	34863	--	--	--	--	1	1	--	--	--
	Diaphragm Flange, d90	Aluminum	34878	--	--	--	--	--	--	1	1	--
4	Eccentric Shaft, 6mm stroke	Steel	34867	1	1	1	1	--	--	--	--	--
	Eccentric Shaft, 9mm stroke	Steel	34875	--	--	--	--	1	1	1	1	1
5	Bearing Flange	Aluminum	34862	1	1	1	1	1	1	1	1	1
6	Worm Wheel 15:1	Bronze	18159	--	--	1	--	1	--	1	--	--
	Worm Wheel 55:1	Bronze	18112	1	--	--	--	--	--	--	--	--
	Worm Wheel 12:1	Bronze	35186	--	--	--	1	--	1	--	1	--
	Worm Wheel 30:1	Bronze	31422	--	1	--	--	--	--	--	--	--
7	Spacer	Steel	34871	1	1	1	1	1	1	1	1	1
8	Key	Steel	83406	1	1	1	1	1	1	1	1	1
9	Ball Bearing	Steel	86090	1	1	1	1	1	1	1	1	1
10	Ball Bearing	Steel	86137	1	1	1	1	1	1	1	1	1
11	Ball Bearing	Steel	86138	1	1	1	1	1	1	1	1	1
12	Retaining Ring	Spring Steel	84009	1	1	1	1	1	1	1	1	1
13	Adjusting Eccentric, 6mm stroke	IXEF	34853	1	1	1	1	--	--	--	--	--
	Adjusting Eccentric, 9mm stroke	IXEF	34854	--	--	--	--	1	1	1	1	1
14	Diaphragm Flange, d52	EPDM/PTFE	81464	1	1	1	1	--	--	--	--	--
	Diaphragm Flange, d64	EPDM/PTFE	81465	--	--	--	--	1	1	--	--	--
	Diaphragm Flange, d90	EPDM/PTFE	81466	--	--	--	--	--	--	1	1	--
15	Support Plate	Brass	28977	--	--	--	--	1	1	--	--	--
16	Leakage Pipe	PP	34865	1	1	1	1	--	--	--	--	--
	Leakage Pipe Assembly	PP/Viton	25174	--	--	--	--	1	1	--	--	--
	Leakage Pipe Assembly	PP/Viton	25190	--	--	--	--	--	--	1	1	--
17	Diaphragm Rod M4	303 SS	34868	1	1	1	1	1	1	--	--	--
	Diaphragm Rod M8	303 SS	34876	--	--	--	--	--	--	1	1	--
18	Return Spring	Spring Steel	10119	1	1	1	1	1	1	1	1	1
19	Stroke Length Knob	Plastic	34855	1	1	1	1	1	1	1	1	1
20	Locking Knob	Plastic	31024	1	1	1	1	1	1	1	1	1
21	Grooved Ball Bearing	Steel	86001	1	1	1	1	1	1	1	1	1
22	Threaded Plug	Brass	17037	1	1	1	1	1	1	1	1	1
22b	Gasket	AF	17043	1	1	1	1	1	1	1	1	1
23	Sleeve Bushing	Steel/PTFE	34870	2	2	2	2	2	2	2	2	2
24	Compact Seal (Au)	Polyurethane	80814	1	1	1	1	1	1	1	1	1
25	Stripper	Simritan	81744	1	1	1	1	1	1	1	1	1
26	Gasket	Nitrile Rubber	81745	1	1	1	1	1	1	1	1	1
27	Gasket	Asbestos Free	81235	1	1	1	1	1	1	1	1	1
28	O-ring	Nitrile Rubber	80816	1	1	1	1	1	1	1	1	1
29	O-ring	Nitrile Rubber	80815	1	1	1	1	1	1	1	1	1
30	Stroke Length Scale	Plastic	87412	1	1	1	1	1	1	1	1	1
31	Oil Dip Stick/Vent	Plastic/Steel	88221	1	1	1	1	1	1	1	1	1
32	Screw/Socket Head Cap	304 SS	83606	4	4	4	4	4	4	4	4	4
33	Washer	Copper	84191	4	4	4	4	4	4	4	4	4
34	Screw	304 SS	83268	6	6	6	6	6	6	6	6	6
35	Screw	304 SS	83619	4	4	4	4	--	--	4	4	--
36	Cup Spring	301 SS	84179	1	1	1	1	1	1	1	1	1
37	Hex. Head Screw	304 SS	83157	2	2	2	2	2	2	2	2	2
38	Washer	304 SS	84189	2	2	2	2	2	2	2	2	2
39	Diaphragm Insert	Plastic	29462	1	1	1	1	--	--	--	--	--

+Assembled with Item 23

*Includes Sealing Pos. 26

Drive MEMDOS E/DX 160-300



Refer to the following page for a detailed list of these parts.

Drive MEMDOS E/DX 160-300

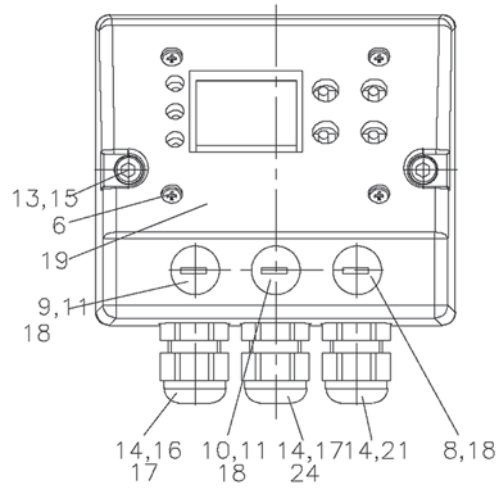
Item	Description	Material	Part No.	E/DX Model Size		
				160	200	300
1	Gearbox +	Aluminum	34929	1	1	1
2	Housing Cover E*	Aluminum	34930	1	1	1
3	Diaphragm Flange, d120	Aluminum	34955	1	1	1
	Diaphragm Flange, d150	Aluminum	34954	--	--	1
4	Eccentric Shaft, 10mm stroke	Steel	34938	1	1	1
5	Bearing Flange	Aluminum	34958	1	1	1
6	Worm Wheel 20:1	Bronze	34989	1	--	--
	Worm Wheel 15:1	Bronze	34990	--	1	1
7	Key	Steel	83488	1	1	1
8	Ball Bearing	Steel	86003	1	1	1
9	Ball Bearing	Steel	86118	1	1	1
10	Eccentric Bearing	Steel	86139	1	1	1
11	Retaining Ring	Spring Steel	84210	1	1	1
12	Adjusting Eccentric, 10mm stroke	Plastic	34920	1	1	1
13	Diaphragm Flange, d120	EPDM/PTFE	81467	1	1	--
	Diaphragm Flange, d150	EPDM/PTFE	81468	--	--	1
14	Leakage Pipe Assembly	PP/Viton	25193	1	1	1
15	Diaphragm Rod M12	303 SS	34986	1	1	1
16	Return Spring	Spring Steel	34996	1	1	1
17	Stroke Length Knob	Plastic	34923	1	1	1
18	Locking Knob	Plastic/Steel	35142	1	1	1
19	Pinion Shaft	Steel	34994	1	1	1
20	Worm 20:1	Steel	31557	1	--	--
	Worm 15:1	Steel	34991	--	1	1
21	Bearing	Steel	86001	1	1	1
22	Bearing	Steel	86140	1	1	1
23	Key	Steel	83675	1	1	1
24	Cup Spring	Spring Steel	84179	1	1	1
25	Locking Nut	301 SS	35173	1	1	1
26	Threaded Plug	Brass	17037	1	1	1
26b	Gasket	Asbestos Free	17043	1	1	1
27	Sleeve Bushing	Steel/PTFE	34997	2	2	2
28	Compact Seal (Au)	Polyurethane	80820	1	1	1
29	Stripper	Simritan	81751	1	1	1
30	Gasket	Nitrile Rubber	81746	1	1	1
31	Gasket	Asbestos Free	81752	1	1	1
32	O-ring	Nitrile Rubber	80598	1	1	1
33	O-ring	Nitrile Rubber	80815	1	1	1
34	Stroke Length Scale	Plastic	87584	1	1	1
35	Oil Dip Stick/Vent	Plastic/Steel	88228	1	1	1
36	Screw	Stainless Steel	83668	10	10	10
37	Screw	304 SS	83664	4	4	4
38	Screw	Stainless Steel	83668	4	4	4
39	Washer	Stainless Steel	84160	4	4	4
40	Washer	Copper	84206	4	4	4
41	Retaining Ring	Steel	84003	1	1	1
42	Retaining Ring	301 SS	84004	1	1	1

+Assembled with Item 27

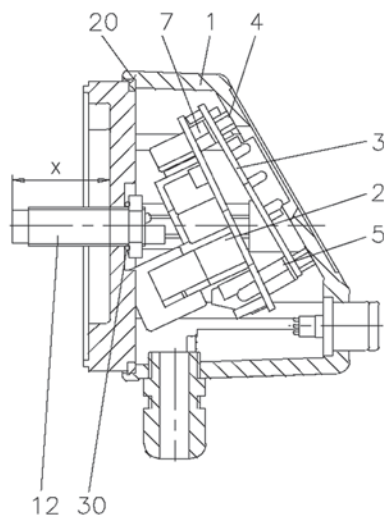
*Includes Sealing Pos. 30

Control Unit for MEMDOS DX

Front View

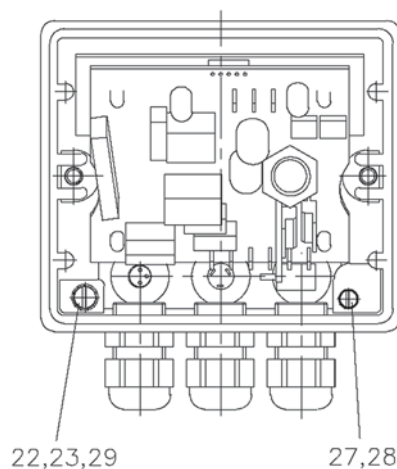


Cutaway View



Refer to the following page for a detailed list of these parts.

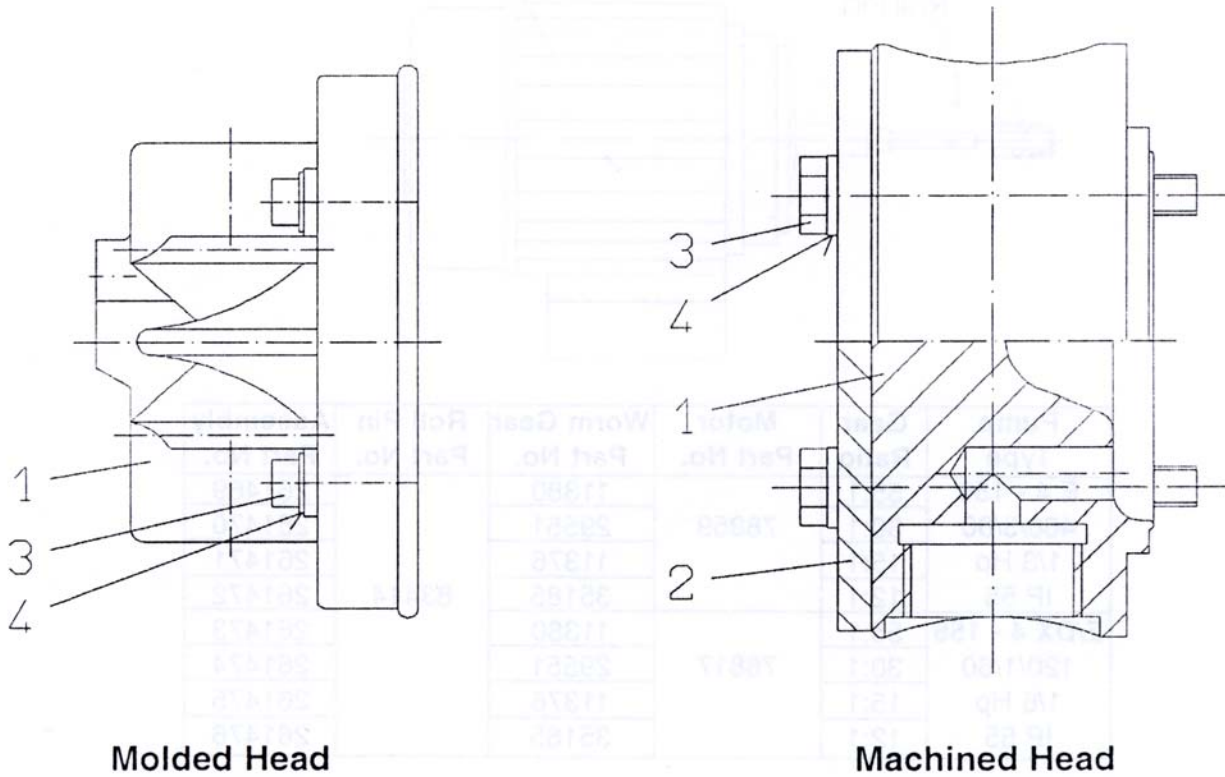
Rear View



Control Unit, MEMDOS DX

Item No.	Description	Material	Quantity	Part No.
1	Electronic Housing Assembly	Aluminum	1	34852
2	Power Electronic Board	Misc.	1	79106
3	Display Electronic Board	Misc.	1	79107
4	Spacing Nut M 3x5	Brass - Nickel Plate	4	83848
5	Spacing Nut M 3x10	Plastic	2	83849
6	Oval Flat Head Screw	Stainless Steel	4	83847
7	Spacing Nut M 3x6	Plastic	2	83854
8	External Control Connection Socket	Misc.	1	35994
9	External Remote On/Off Jack Socket	Misc.	1	35996
10	External Level Jack Socket	Misc.	1	35995
11	Dummy Plug	Brass	2	29115
12	Stroke Sensor	Misc.	1	79050
13	Housing Screw	Stainless Steel	2	83035
14	Cord Grip	PA Black	3	78237
15	Washer	Copper	2	84191
16	Grounding Ring	Misc.	1	77579
	Grounding Wire	Misc.	1	79101
	Flat Socket Crimp	Steel - Tinned	3	78939
	Power Cable 120 VAC - 6 feet CSA/UL	Misc.	1	78833
17	Insulator	Plastic	6	78916
18	Plug Cover	Polystyrene	3	78788
19	Display Film	---	1	34928
20	Foam Rubber Gasket - 16 inches	EPDM	1	97183-16
21	Warning Alarm Cable	Misc.	1	78978
	Core End Socket Insulated	Misc.	6	77208
	Socket - Warning Alarm	Misc.	1	77028
	Cable Binder	Misc.	2	77026
22	Oval Head Screw	Stainless Steel	1	83070
23	Toothed Washer	Spring Steel - Tinned	1	84133
24	Cable - Motor Power	PVC Black	1	79103-12
	Flat Socket Crimp	Steel - Tinned	3	78939
	Cord Grip	PA Black	1	78234
	Stranded Wire	Misc.	5	77578
25	Signal Input Cable - 6 feet	Misc.	1	32916
26	Connecting Cable for Remote On/Off	Misc.	1	35119
27	Screw M 3x6	Steel - Tinned	1	83031
28	Lock Washer	Stainless Steel	1	84213
29	Label - Ground Connection	Misc.	1	87601
30	O-ring	Buna Rubber	1	80072
31	Complete Assembly Unit	Misc.	1	35187

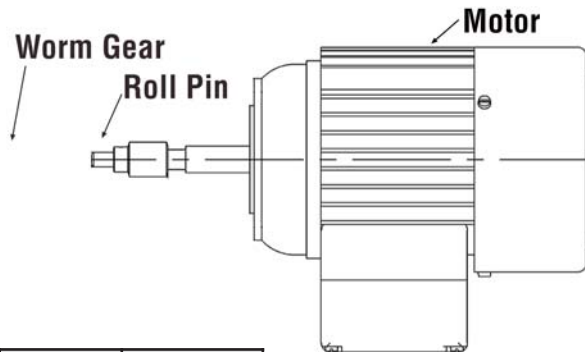
Head Assembly



Head Assembly

Item No.	Description	Model	Quantity	Head Material			
				PVC	PVDF	PP	316SS
1	Diaphragm Housing	E/DX 4-26	1	22399	28689	--	21613
		E/DX 50 & 76		18113	--	--	23912
		E/DX 110 & 156		--	--	34966	32902
		E/DX 160-200		--	--	22046	22394
		E/DX 300		--	--	3490	34951
2	Pressure Plate	E/DX 110 & 156	1	--	--	32903	--
		E/DX 160-200		--	--	18453	--
		E/DX 300		--	--	34995	--
3	Screws	E/DX 4-26	4	83794	83794	--	83482
		E/DX 50 & 76		83644	--	--	83644
		E/DX 110 & 156		--	--	83495	83685
		E/DX 160-200		--	--	83495	83685
		E/DX 300		--	--	83495	83542
4	Washers	E/DX 4-26	4	84143	84143	--	84143
		E/DX 50 & 76		84160	--	--	84160
		E/DX 110 & 156		--	--	84131	84131
		E/DX 160-300		--	--	84174	84174

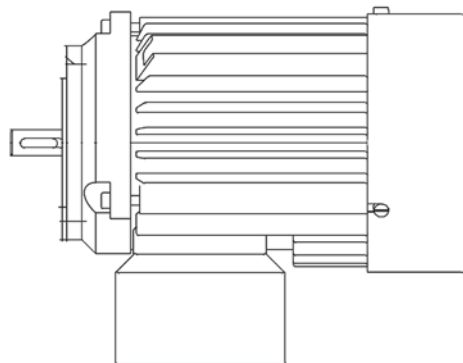
MEMDOS E/DX 4-156 Motor Assembly



MEMDOS E/DX 4-156

Pump Type	Gear Ratio	Motor Part No.	Worm Gear Part No.	Roll Pin Part No.	Assembly Part No.
E 4 - 156 460/3/60 1/3 Hp IP 55	55:1	78959	11380	83414	261469
	30:1		29551		261470
	15:1		11376		261471
	12:1		35185		261472
E/DX 4 - 156 120/1/60 1/6 Hp IP 55	55:1	78817	11380		261473
	30:1		29551		261474
	15:1		11376		261475
	12:1		35185		261476

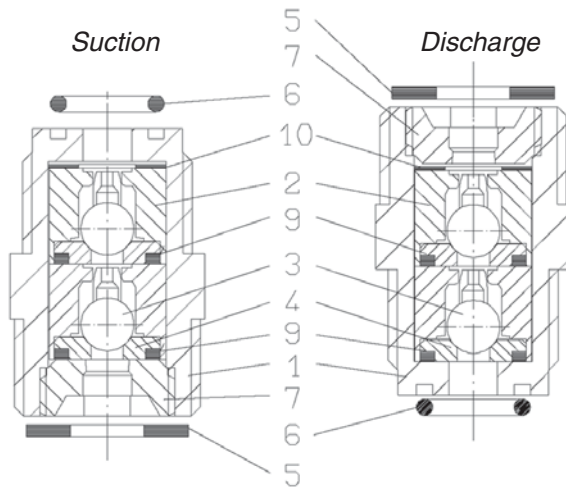
MEMDOS E/X 160-300 Motor Assembly



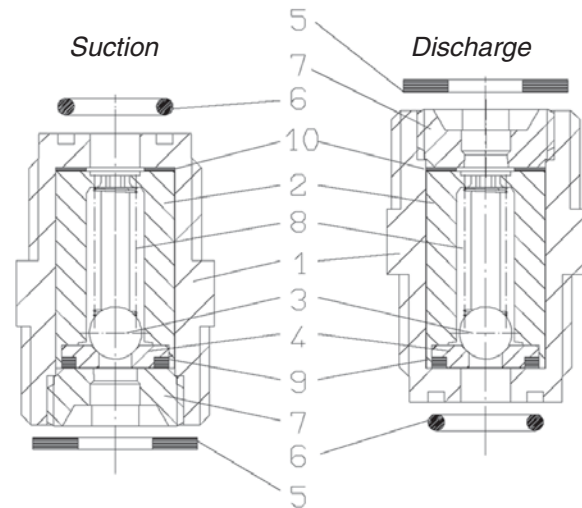
MEMDOS E/DX 160-300

Pump Type	Motor Part No.	Worm Gear Part No.	Roll Pin Part No.	Assembly Part No.
E 160-300 460/3/60 1/2 Hp	79048	NA	NA	NA
E/DX 160-300 120/1/60 1/3 Hp	79084			

DN 4 Valves for E/DX 4-26



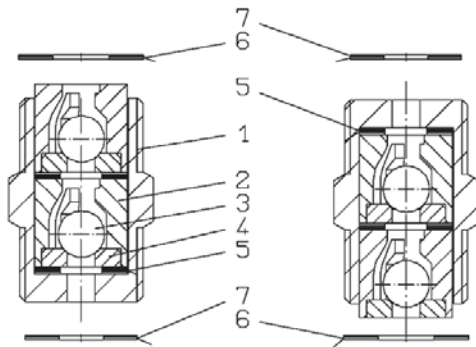
Double Ball Check Valve



Spring Loaded Check Valve

Item	Description	Material	Part No.	Double Ball Valves						Spring Loaded Valves		
				PVC/ EPDM	PVC/ Viton	PVC/ PTFE	PVDF/ Viton	PVDF/ PTFE	316SS/ PTFE	PVC/ Viton	PVDF/ PTFE	316SS/ PTFE
1	Valve Body	PVC	20845	1	1	1	--	--	--	1	--	--
		PVDF	28108	--	--	--	1	1	--	--	1	--
		316SS	19289	--	--	--	--	--	1	--	--	1
2	Ball Guide	PVC	19294	2	2	2	--	--	--	--	--	--
		PVDF	28109	--	--	--	2	2	--	--	--	--
		316SS	19293	--	--	--	--	--	2	--	--	--
		PVC	24066	--	--	--	--	--	--	1	--	--
		PVDF	29386	--	--	--	--	--	--	--	1	--
3	Valve Ball	Glass	29778	2	2	2	--	--	--	1	--	--
		316SS	18044	--	--	--	--	--	2	--	--	--
		PTFE	25247	--	--	--	2	2	--	--	--	--
4	Valve Seat	PVDF	81460	2	2	2	2	2	2	1	1	1
5	Gasket	Viton	81371	--	1	--	1	--	--	1	--	--
		PTFE	81580	--	--	--	--	1	--	--	1	--
		PTFE	81677	--	--	1	--	--	1	--	--	1
		EPDM	81453	1	--	--	--	--	--	--	--	--
6	O-Ring	EPDM	80754	1	--	--	--	--	--	--	--	--
		Viton	81384	--	1	--	1	--	--	1	--	--
		PTFE	80617	--	--	1	--	1	1	--	1	1
7	Locking Screw	PVC	19299	1	1	1	--	--	--	1	--	--
		PVDF	28110	--	--	--	1	1	--	--	1	--
		316SS	24031	--	--	--	--	--	1	--	--	1
8	Valve Spring	Hastelloy	25061	--	--	--	--	--	--	1	1	1
9	O-Ring	Viton	80013	--	2	--	2	--	--	1	--	--
		PTFE	80627	--	--	2	--	2	2	--	1	1
		EPDM	80755	--	--	--	--	--	--	--	--	--
10	Gasket	Viton	81526	--	1	--	1	--	--	1	--	--
		PTFE	81585	--	--	1	--	1	1	--	1	1
		EPDM	81525	1	--	--	--	--	--	--	--	--
Suction Valve Assembly				33499	20890	24027	33707	28111	24029	25087	29385	25089
Discharge Valve Assembly				33500	20891	24028	33704	28112	24030	25088	29384	25090

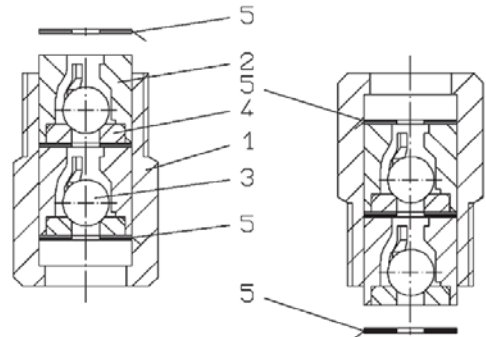
DN 6 Valves for E/DX 50-76



Suction

Discharge

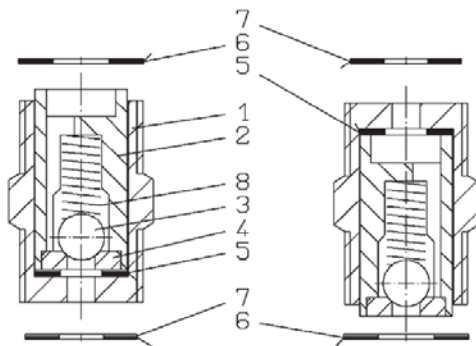
**Double
Ball
Check
Valve**



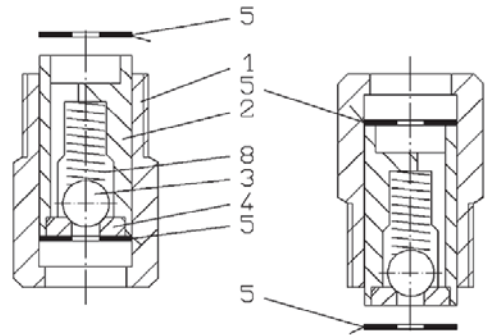
Suction

Discharge

**Spring
Loaded
Check
Valves**



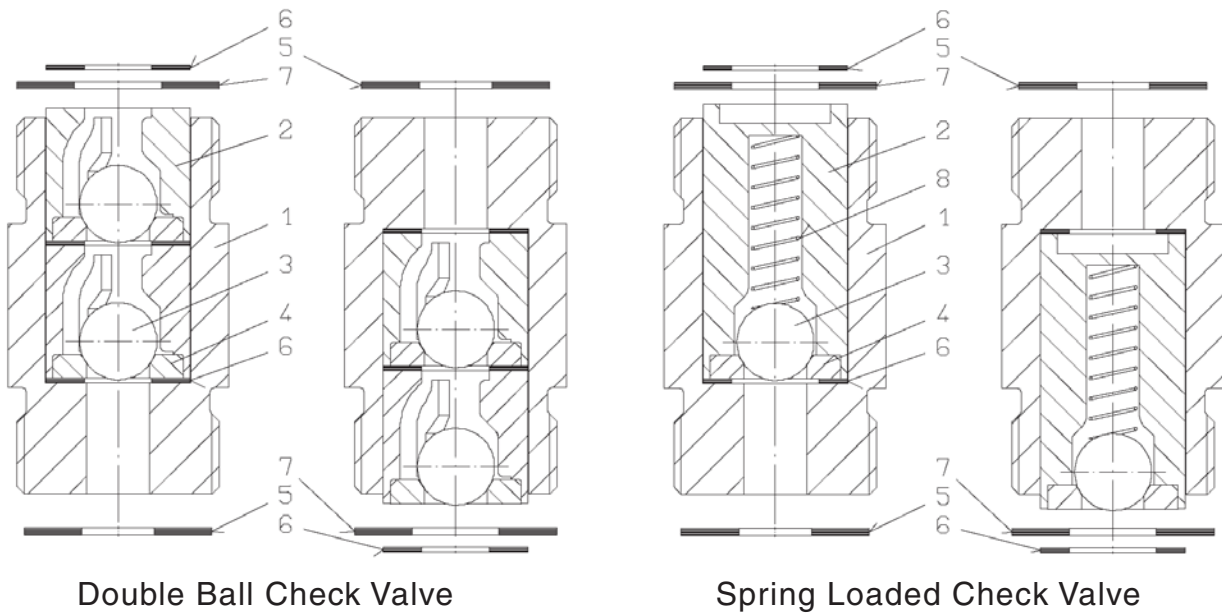
PVC Version



316SS Version

Item	Description	Material	Part No.	Double Ball Valves								Spring Loaded Valves			
				Suction				Discharge				Suction		Discharge	
				PVC		316SS		PVC		316SS		PVC	PVC	PVC	PVC
				Seal Material: H = Hypalon, V = Viton											
				H	V	H	V	H	V	H	V	H	V	H	V
1	Valve Housing	PVC	18189	1	1	--	--	1	1	--	--	1	1	1	1
		316SS	19601	--	--	1	1	--	--	1	1	--	--	--	--
2	Ball Guide	PVC	82405	2	2	--	--	2	2	--	--	--	--	--	--
		316SS	82102	--	--	2	2	--	--	2	2	--	--	--	--
		PVC	23412	--	--	--	--	--	--	--	--	1	1	1	1
3	Valve Ball	Ceramic	10017	2	2	--	--	2	2	--	--	1	1	1	1
		316S	10136	--	--	2	2	--	--	2	2	--	--	--	--
4	Valve Seat	PVC	82406	2	2	--	--	2	2	--	--	1	1	1	1
		316SS	82103	--	--	2	2	--	--	2	2	--	--	--	--
5	Gasket	Hypalon	81037	2	--	2	--	2	--	2	--	1	--	1	--
		Viton	81138	--	2	--	2	--	2	--	2	--	1	--	1
6	Gasket	Hypalon	81033	1	--	1	--	1	--	1	--	1	--	1	--
		Viton	81285	--	1	--	1	--	1	--	1	--	1	--	1
7	Gasket	Hypalon	81041	1	--	1	--	1	--	1	--	1	--	1	--
		Viton	81141	--	1	--	1	--	1	--	1	--	1	--	1
8	Valve Spring	Hastelloy	25042	--	--	--	--	--	--	--	--	1	1	1	1
Complete Valve Assembly				18187	18185	260470	19176	18188	18186	260481	19177	25161	25162	27516	27517

DN 10 Valves for E/DX 110-300

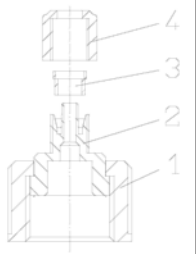
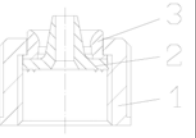
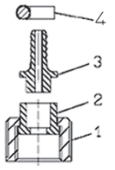
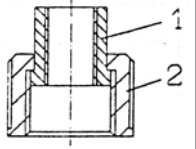
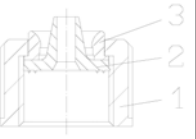
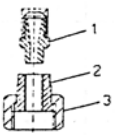


Double Ball Check Valve

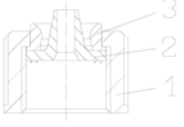
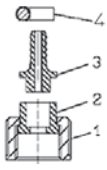
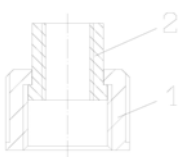
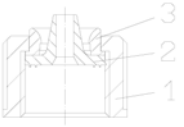
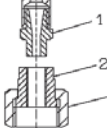
Spring Loaded Check Valve

Item	Description	Material	Part No.	Double Ball Valves												Spring Loaded Valves			
				Suction						Discharge						Suction		Discharge	
				PP		316SS		PVDF		PP		316SS		PVDF		PP	PP	PP	PP
				Seal Material: H = Hypalon, V = Viton															
				H	V	H	V	H	V	H	H	V	V	H	V	H	V	H	V
1	Valve Housing	PP	34665	1	1	--	--	--	--	1	1	--	--	--	--	1	1	1	1
		316SS	32449	--	--	1	1	--	--	--	--	1	1	--	--	--	--	--	--
		PVDF	34082	--	--	--	--	1	1	--	--	--	--	1	1	--	--	--	--
2	Ball Guide	PP	34142	2	2	--	--	--	--	2	2	--	--	--	--	--	--	--	--
		316SS	82112	--	--	2	2	--	--	--	--	2	2	--	--	--	--	--	--
		PP	22882	--	--	--	--	--	--	--	--	--	--	--	--	1	1	1	1
		PVDF	34084	--	--	--	--	2	2	--	--	--	--	2	2	--	--	--	--
3	Valve Ball	Glass	82457	2	2	--	--	--	--	2	2	--	--	--	--	1	1	1	1
		316SS	82114	--	--	2	2	--	--	--	--	2	2	--	--	--	--	--	--
		PTFE	261504	--	--	--	--	2	2	--	--	--	--	2	2	--	--	--	--
4	Valve Seat	PP	82456	2	2	--	--	--	--	2	2	--	--	--	--	1	1	1	1
		316SS	82113	--	--	2	2	--	--	--	--	2	2	--	--	--	--	--	--
		PVDF	34083	--	--	--	--	2	2	--	--	--	--	2	2	--	--	--	--
5	Gasket	Hypalon	81035	1	--	1	--	1	--	1	--	1	--	1	--	1	--	1	--
		Viton	81198	--	1	--	1	--	1	--	1	--	1	--	1	--	1	--	1
6	Gasket	Hypalon	81238	2	--	3	--	2	--	2	--	3	--	2	--	1	--	1	--
		Viton	81276	--	2	--	3	--	2	--	2	--	3	--	2	--	1	--	1
7	Gasket	Hypalon	81239	1	--	--	--	1	--	1	--	--	--	1	--	1	--	1	--
		Viton	81277	--	1	--	--	--	1	--	1	--	--	--	1	--	1	--	1
8	Valve Spring	Hastelloy	32577	--	--	--	--	--	--	--	--	--	--	--	--	1	1	1	1
Complete Valve Assembly				26841	26842	260471	27652	261529	261527	27356	27357	260482	27655	261528	261526	26845	25707	27353	27354

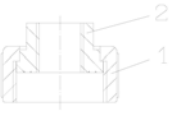
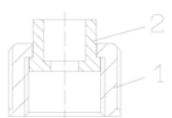
Connections for MEMDOS 4-26

Connection Type	Material	Size/ Tube Material	Conn. Assy. Part No.	Item No.	Spare Parts			
					Description	Part No.		
	PVC	4mm x 6mm PE	20975	1	Union Nut	88116		
				2	Connection	88012		
				3	Cutting Ring	88003		
				4	Union Nut	88004		
	PVDF	4mm x 6mm PE	29387	1	Union Nut	28120		
				2	Connection	88028		
				3	Cutting Ring	88003		
				4	Union Nut	88004		
	PVC	1/4" x 7/16" PVC	261317	1	Union Nut	88116		
				2	Tube Nipple	261267		
				3	Cutting Ring	261265		
	PVC/PP	1/4" x 7/16" PVC	261059	1	Union Nut	82087		
				2	Thread Conn.	30100		
				3	Adapter	260548		
				4	Hose Clamp	260549		
	PVC	1/4" FNPT	30101	1	Adapter	30100		
	PVDF			2	Tube Nut	82087		
	PTFE		261405	1	Adapter	30114		
				2	Tube Nut	28120		
	SS		30103	1	Adapter	30100-2		
				2	Tube Nut	91165		
			PVC	1/4" x 3/8" PE	261307	1	Union Nut	88116
						2	Tube Nipple	261267
3		Cutting Ring				261266		
	PVC/PP	3/8" x 1/2" PE	261398	1	Union Nut	82087		
				2	Pipe Adapter	30100		
				3	Tube Adapter	261397		

Connections for E/DX 50-76

Connection Type	Material	Size/ Tube Material	Conn. Assy. Part No.	Item No.	Spare Parts	
					Description	Part No.
	PVC	1/4" x 7/16" PVC	261459	1	Union Nut	82156
				2	Tube Nipple	261267
				3	Cutting Ring	261265
	PVC/PP	1/4" x 7/16" PVC	261466	1	Union Nut	82156
				2	Thread Conn.	30100
				3	Adapter	260548
				4	Hose Clamp	260549
	PVC	1/4" NPT	30104	1	Union Nut	82156
			2	Threaded Conn.	30100	
	316SS		30103	1	Union Nut	19303
				2	Threaded Conn.	30102
	PVDF		261583	1	Union Nut	28120
				2	Threaded Conn.	30114
	PVC	1/4" x 3/8" PE	261335	1	Union Nut	82156
				2	Tube Nipple	261267
				3	Cutting Ring	261266
	PVC/PP	3/8" x 1/2" PE	261460	1	Union Nut	82156
				2	Pipe Adapter	30100
				3	Tube Adapter	261397

Connections for E/DX 110-300

Connection Type	Material	Size/ Tube Material	Conn. Assy. Part No.	Item No.	Spare Parts	
					Description	Part No.
	PVC	1/2" Slip	30109	1	Union Nut	82213
				2	Cemented Conn.	30108
	PVC	1/2" NPT	30111	1	Union Nut	82213
			2	Threaded Conn.	30110	
	316SS		30113	1	Union Nut	29518
				2	Threaded Conn.	30112