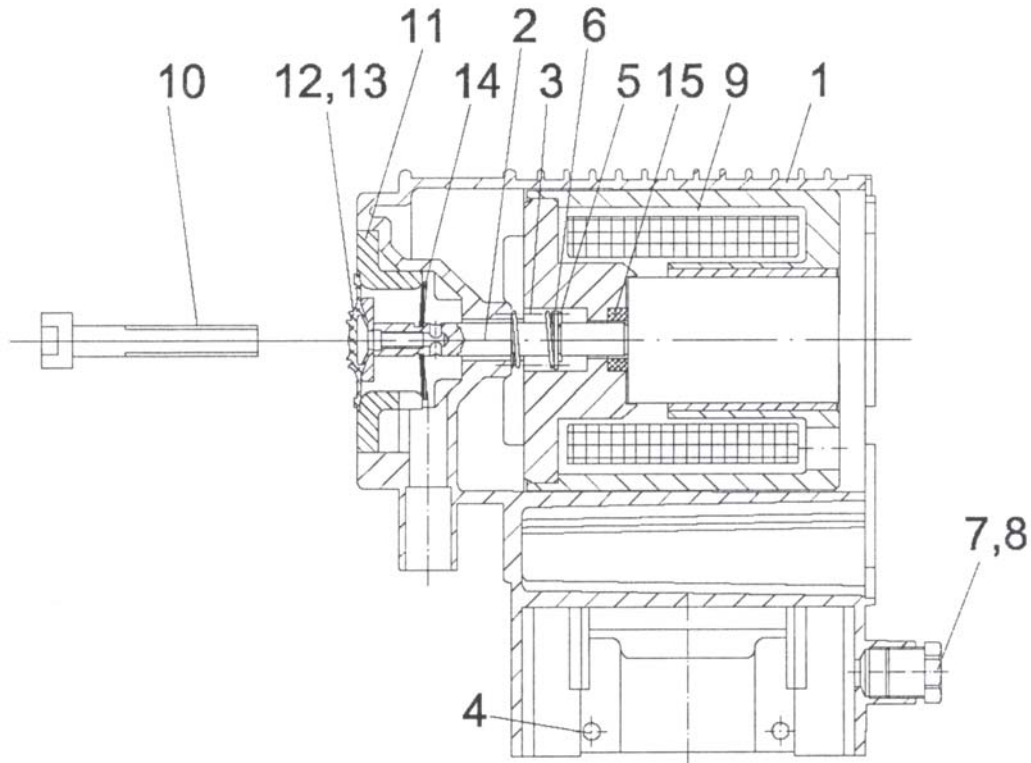
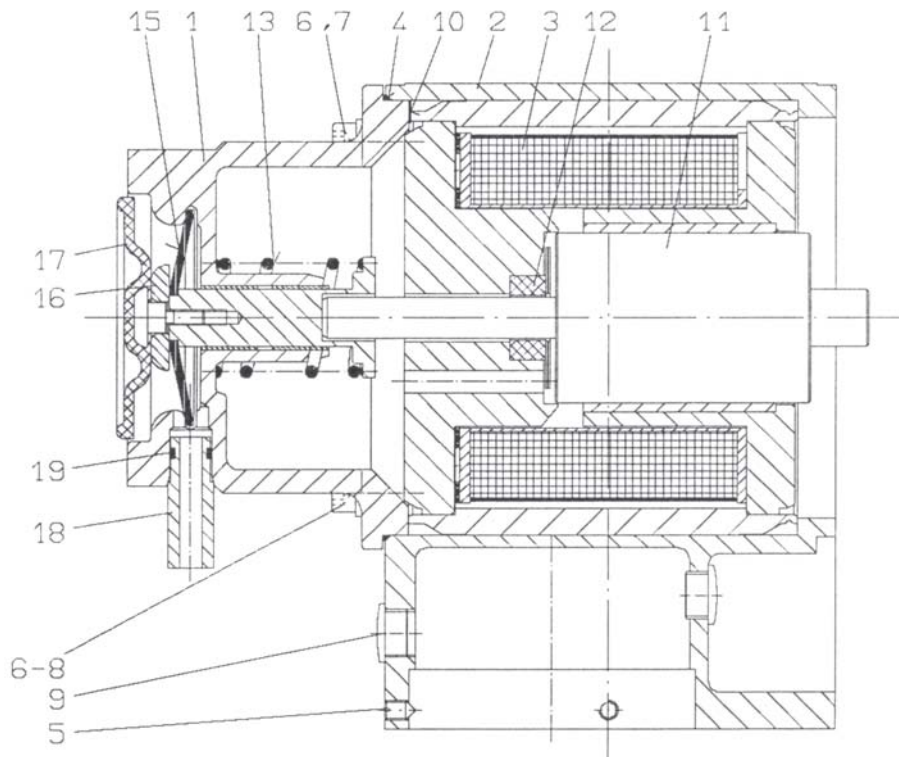


Drive Unit for MAGDSO DE/DX 01-12



Item No.	Description	Qty.	Part No.						
			01	03	07	2	4	8	12
1	Housing	1	27078						
2	Diaphragm Rod	1	32713						
3	Pressure Spring	1	29382						
4	Locking Screw	4	83613						
5	Snap Ring	1	84154						
6	Washer	1	84144						
7	Cable Gland Nut	1	78786						
8	Grommet	1	78787						
9	Solenoid Assembly 115 VAC	1	32746		32748				
	Solenoid Assembly 230 VAC	1	32730		32714		32715		
10	Solenoid Retaining Screw	2	83514						
11	Diaphragm Insert	1	32958	28849		28850		28851	28852
12	Diaphragm	1	81683	81424				81463	81464
13	Support Plate	1	----			29313		23892	33897
14	Deflector Plate	1	22066						
15	Dampening Ring	1	81680		78509				

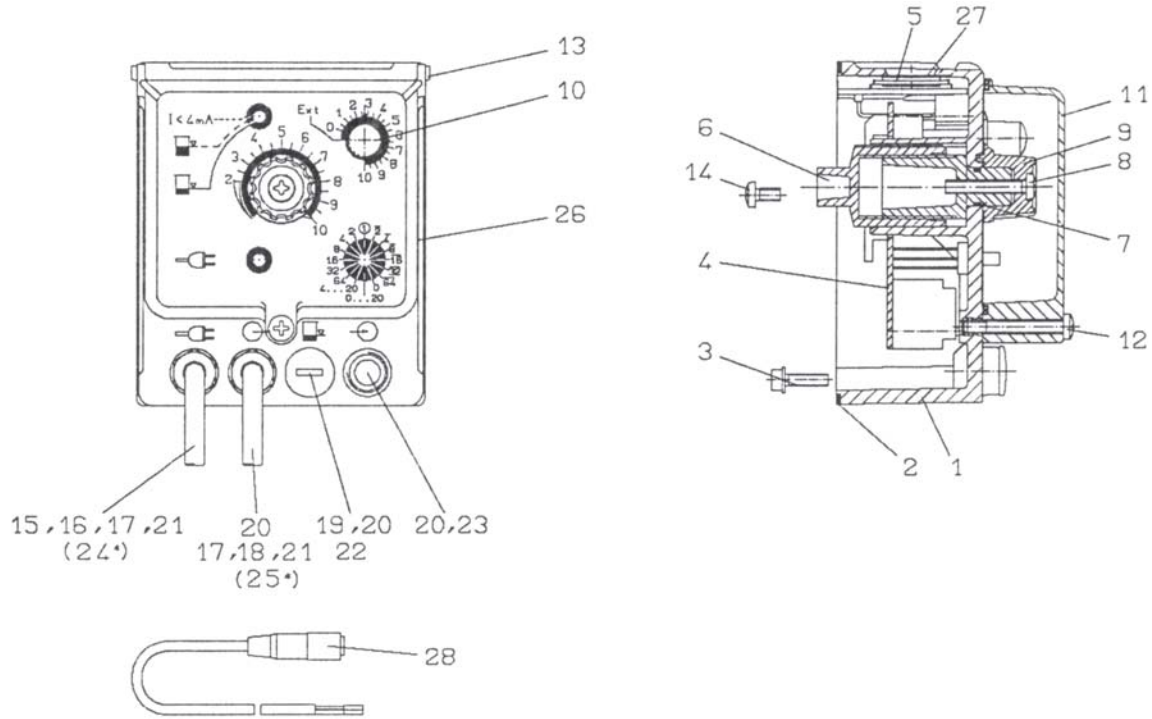
Drive Unti for MAGDOS DE/DX 20-100



Item No.	Description	Qty.	Part No.		
			20	40	100
1	Diaphragm Flange	1	23913	24024	24041
2	Housing	1	21593		
3	Solenoid Assembly 115 V	1	79021		
	Solenoid Assembly 230 V	1	79020		
4	Sponge Rubber Cord	1	97593		
5	Screw	4	83105		
6	Socket-Head Cap Screw	4	83668		
7	Washer	3	84160		
8	Toothed Washer	1	84145		
9	Dummy Plug	2	78788		
10	Foam Rubber	3	81727		
11	Armature	1	21738		
12	Buffer Ring	1	78511		
13	Pressure Spring	1	19617		
14	Diaphragm Rod	1	19780	21599	21600
15	Deflector Plate	1	22056	22057	22058
16	Support Plate	1	28977	----	----
17	Diaphragm	1	81465	81466	81467
18	Leakage Pipe	1	25174	25190	
19	O-Ring	1	80005	80058	

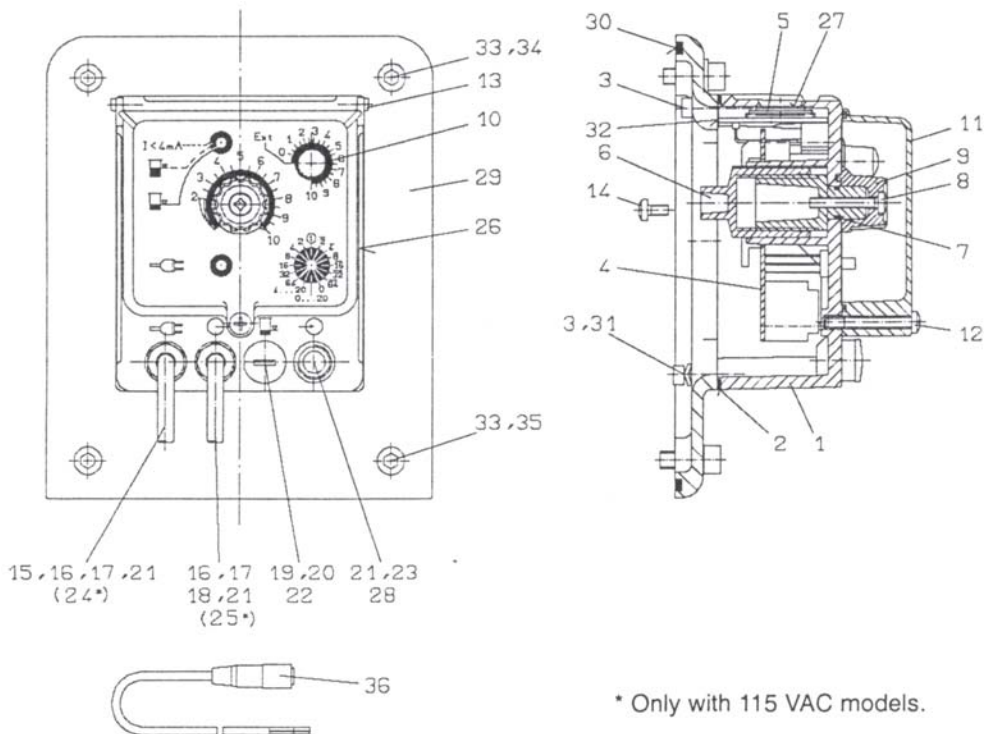
Control Unit for MAGDOS DE/DX 01-12

(Refer to page 4.3)



Control Unit for MAGDOS DE/DX 20-100

(Refer to page 4.4)



* Only with 115 VAC models.

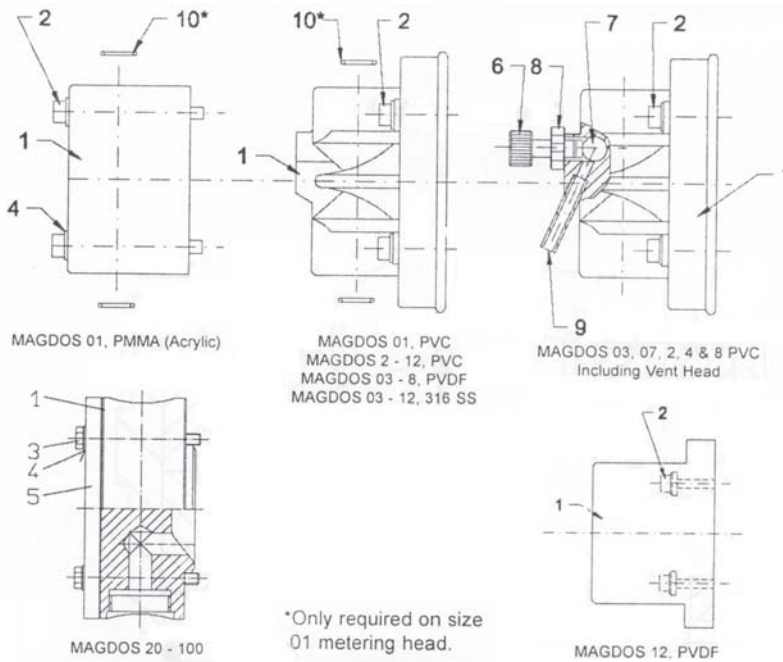
Control Units for MAGDOS DE/DX 01-12

Item No.	Description	Voltage/ Model	Quantity Required	Part No.			
				DE	DE...S	DX...D	DX...SD
1	Housing	115 VAC	1	34130		34133	
		230 VAC	1	33873		33876	
2	Housing Seal		1	81710			
3	Screw		4	83409			
4	Electronics	115 VAC	1	78663		78664	
		230 VAC	1	78682	78683	78684	
5	Digital Display		1	----		78782	
6	Stroke Adjustment	01, 03	1	34045			
		07, 2	1	34046			
		4	1	34047			
		8, 12	1	34048			
7	O-ring		1	80072			
8	Screw		1	83746			
9	Stroke Adjustment Knob		1	32661			
10	Speed Adjustment Knob		1	33877			
11	Control Cover		1	22247			
12	Locking Screw		1	21587			
13	Screw		2	83543			
14	Screw		2	83653			
15	Power Supply Cable	115 VAC	1	79013			
		230 VAC	1	78997			
16	Cable Gland Nut		1	78786			
17	Grommet		2	78787			
18	Warning Relay Cable	115 VAC	1	----	78980	----	78980
		230 VAC	1	----	78800	----	78800
19	Jack Socket		1	33878			
20	Cover Plug		3	78788			
21	Insulation Adapter Plug		2	78916			
22	Dummy Plug		1	29115			
23	External Control Socket	115 VAC	1	33317			
		230 VAC	1	78947			
24	Gland Nut	Pg 9	1	78904			
25	Gland Nut	Pg 7	1	----	78615	----	78615
26	Calibration Table	01	1	261001			
		03	1	261002			
		07	1	261003			
		2	1	261004			
		4	1	261005			
		8	1	261006			
		12	1	261007			
27	Digital Display (decal)		1	----		78665	
28	Cable w/plug for External Control		1	32916			

Control Unit for MAGDOS DE/DX 20-100

Item No.	Description	Voltage/ Model	Quantity Required	Part No.			
				DE	DE...S	DX...D	DX...SD
1	Housing	115 VAC	1	34130		34133	
		230 VAC	1	33873		33876	
2	Housing Seal		1	81710			
3	Screw		4	83187			
4	Electronics	115 VAC	1	79018		79019	
		230 VAC	1	79016		79017	
5	Digital Display		1	----		78782	
6	Stroke Adjustment		1	34351			
7	O-ring		1	80072			
8	Screw		1	83746			
9	Stroke Adjustment Knob		1	32661			
10	Speed Adjustment Knob		1	33877			
11	Control Cover		1	22247			
12	Locking Screw		1	21587			
13	Screw		2	83543			
14	Screw		2	83653			
15	Power Supply Cable	115 VAC	1	79013			
		230 VAC	1	78997			
16	Cable Gland Nut	Pg 7	1	78786			
17	Grommet	Pg 7	1	78787			
18	Warning Relay Cable	115 VAC	1	----	78980	----	78980
		230 VAC	1	----	78800	----	78800
19	Jack Socket		1	33878			
20	Cover Plug	230 VAC	3	78788			
21	Insulation Adapter Plug		2	78916			
22	Dummy Plug		1	29115			
23	3-Pole Connection Socket	115 VAC	1	33317			
	Cinch Plug	230 VAC	1	33879			
24	Gland Nut	115 VAC	1	78904			
25	Gland Nut	Pg 7	1	----	78615	----	78615
26	Calibration Table	20	1	261416			
		40	1	261417			
		100	1	261418			
27	Digital Display (decal)		1	----		78665	
28	Dummy Plug		1	25084			
29	Spacer		1	21594			
30	Sponge Rubber Cord		1	97113			
31	Cable Clamping Ring		1	84188			
32	Foam Rubber		1	----		81727	
33	Socket Head Cap Screw		4	83292			
34	Washer		3	84160			
35	Toothed Washer		1	84145			
36	Cable w/plug for External Control	115 VAC	1	32916			
		230 VAC	1	25096			

Metering Heads



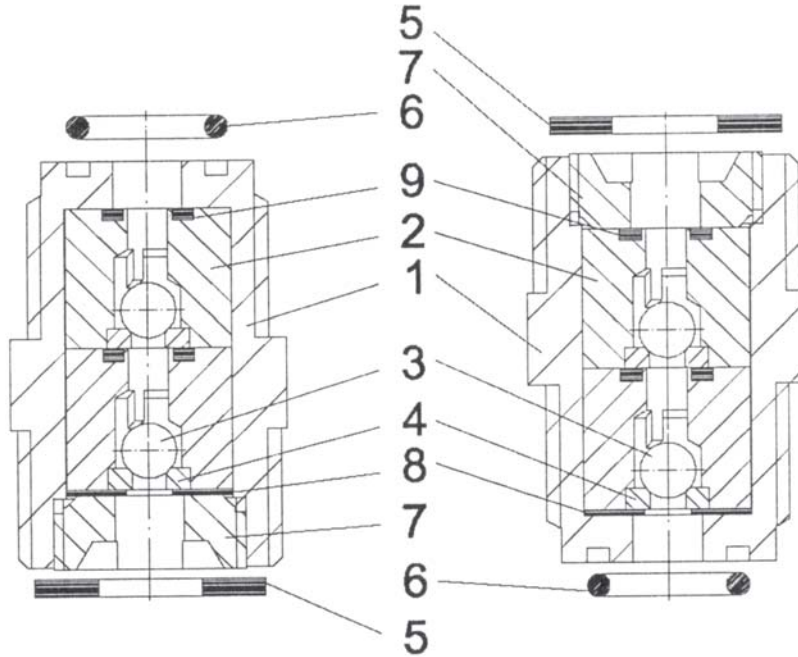
**only required on size 01 metering head.*

**Only required on size 01 metering head.*

Item No.	Description	Quantity	Head Material						
			Acrylic	PVC	PVC w/Vent	PVDF	216 SS	PP	
1	Diaphragm Housing	01	1	32960	32919	---	---	---	---
		03, 07	1	---	---	25960	28114	22527	---
		2, 4	1	---	21603	25961	28116	21611	---
		8	1	---	21222	25962	28118	21612	---
		12	1	---	22399	---	28689	21613	---
		20	1	---	18113	---	---	23912	---
		40	1	---	---	---	99160	22329	22044
100	1	---	---	---	---	22394	22046		
2	Socket Head Cap Screw	01-12	4	---	83409	83409	83409	83622	---
3	Hex Head Screw	20	4	---	83110	---	---	83110	---
		40, 100	4	---	---	---	83495	83685	83495
4	Washer	01	4	---	---	29778	---	84143	---
		20	4	---	84160	84160	---	84160	---
		40, 100	4	---	---	---	84174	84174	84174
5	Pressure Plate	40, 100	1	---	---	---	32903	---	18453
6	Venting Screw	03, 07	1	---	---	32142	---	---	---
7	Check Valve Ball	03, 07	1	---	---	29778	---	---	---
8	Nut	03, 07	1	---	---	32143	---	---	---
9	Vent Nipple	03, 07	1	---	---	32845	---	---	---
10	O-ring	01	2	---	---	---	---	---	---
11	Complete Diaphragm Head Kit	01	1	---	33321	---	---	---	---
		03, 07	1	---	---	25188	28115	25189	---
		2, 4	1	---	23809	13328609	28117	23812	---
		8	1	---	23810	13328610	28119	23813	---
		12	1	---	23811	---	29178	23814	---
		20	1	---	23909	---	---	23911	---
		40	1	---	---	---	261530	23727	23721
100	1	---	---	---	---	23728	23722		

Valves for MAGDOS DE/DX 01 & 03

Double Ball Valves

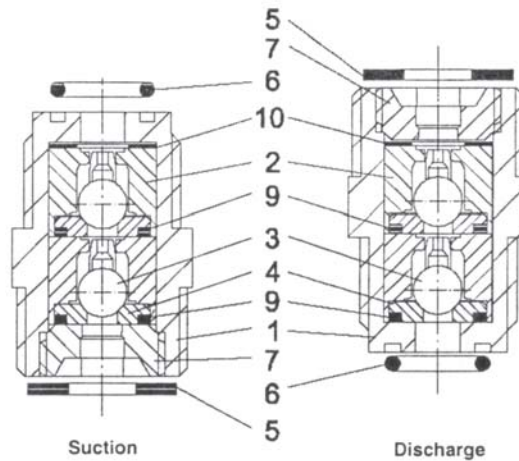


Item No.	Description	Material	Part No.	PVC	PVDF	316 SS
1	Check Valve Body	PVC	20845	1	---	---
		PVDF	28108	---	1	---
		316 SS	19289	---	---	1
2	Ball Guide	PVC	29446	2	---	---
		PVDF	29901	---	2	---
		316 SS	28460	---	---	2
3	Valve Ball	Ceramic	81550	2	2	2
4	Valve Seat	Ceramic	81549	2	2	2
5	Gasket	Viton	81371	---	---	1
		Viton	81825	1	---	---
		PTFE	81580	---	1	---
6	O-ring	Viton	81384	1	1	1
7	Locking Screw	PVC	19299	1	---	---
		PVDF	28110	---	1	---
		316 SS	24031	---	---	1
8	Gasket	Viton	81551	1	1	1
9	O-ring	Viton	80618	2	2	2
Suction Valve Assembly				29434	33700	28459
Discharge Valve Assembly				29435	33701	28461

Note: Spring-loaded check valves not available for these pump sizes.

Valves for MAGDOS DE/DX 07-12

Double Ball Valves

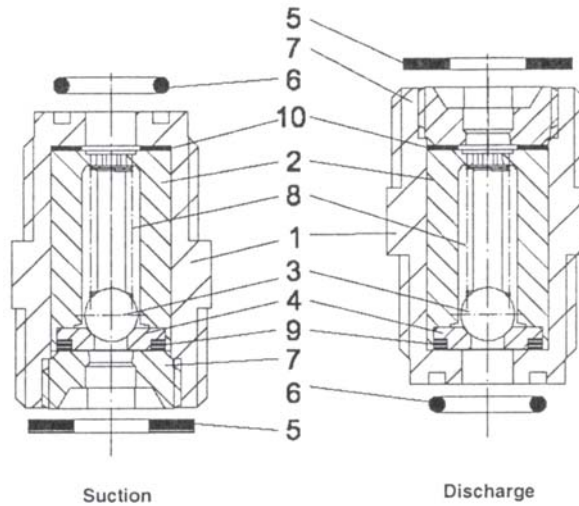


Item No.	Description	Material	Part No.	Suction									Discharge								
				PVC			316 SS			PVDF			PVC			316 SS			PVDF		
				Seal Material: H=Hypalon, P=PTFE, V=Viton																	
				H	P	V	H	P	V	H	P	V	H	P	V	H	P	V	H	P	V
1	Valve Body	PVC	20845	1	1	1	-	-	-	-	-	-	1	1	1	-	-	-	-	-	-
		PVDF	28108	-	-	-	-	-	-	1	1	1	-	-	-	-	-	-	1	1	1
		316SS	19289	-	-	-	1	1	1	-	-	-	-	-	-	1	1	1	-	-	-
2	Ball Guide	PVC	19294	2	2	2	-	-	-	-	-	-	2	2	2	-	-	-	-	-	-
		PVDF	28109	-	-	-	-	-	-	2	2	2	-	-	-	-	-	-	2	2	2
		316SS	19293	-	-	-	2	2	2	-	-	-	-	-	-	2	2	2	-	-	-
3	Valve Ball	Glass	29778	2	2	2	-	-	-	-	-	-	2	2	2	-	-	-	-	-	-
		316SS	18044	-	-	-	2	2	2	-	-	-	-	-	-	2	2	2	-	-	-
		PTFE	25247	-	-	-	-	-	-	2	2	2	-	-	-	-	-	-	2	2	2
4	Valve Seat	PVDF	81460	2	2	2	-	-	-	2	2	2	2	2	2	-	-	-	2	2	2
		316SS	81461	-	-	-	2	2	2	-	-	-	-	-	-	2	2	2	-	-	-
5	Gasket	Viton	81825	-	-	1	-	-	1	-	-	1	-	-	1	-	-	1	-	-	1
		PTFE	81580	-	-	-	-	-	-	1	-	-	-	-	-	-	-	-	-	1	-
		PTFE	81841	-	1	-	-	1	-	-	-	-	-	1	-	-	1	-	-	-	-
		EPDM	81824	1	-	-	1	-	-	1	-	-	1	-	-	1	-	-	1	-	-
6	O-ring	EPDM	80754	1	-	-	1	-	-	1	-	-	1	-	-	1	-	-	1	-	-
		Viton	81384	-	-	1	-	-	1	-	-	1	-	-	1	-	-	1	-	-	1
		PTFE	80617	-	1	-	-	1	-	-	1	-	-	1	-	-	1	-	-	1	-
7	Locking Screw	PVC	19299	1	1	1	-	-	-	-	-	-	1	1	1	-	-	-	-	-	-
		PVDF	28110	-	-	-	-	-	-	1	1	1	-	-	-	-	-	-	1	1	1
		316SS	24031	-	-	-	1	1	1	-	-	-	-	-	-	1	1	1	-	-	-
9	O-ring	Viton	80013	-	-	2	-	-	2	-	-	2	-	-	2	-	-	2	-	-	2
		PTFE	80627	-	2	-	-	2	-	-	2	-	-	2	-	-	2	-	-	2	-
		EPDM	80755	2	-	-	2	-	-	2	-	-	2	-	-	2	-	-	2	-	-
10	Gasket	Viton	81526	-	-	1	-	-	1	-	-	1	-	-	1	-	-	1	-	-	1
		PTFE	81585	-	1	-	-	1	-	-	1	-	-	1	-	-	1	-	-	1	-
		EPDM	81525	1	-	-	1	-	-	1	-	-	1	-	-	1	-	-	1	-	-
Complete Valve Assembly				33497	24027	20890	34395	24029	25667	34391	28111	33703*	33498	24028	20891	34396	24030	25668	34392	28112	33704*

*Hydrofluosilicic Acid Service (H₂SiF₆)

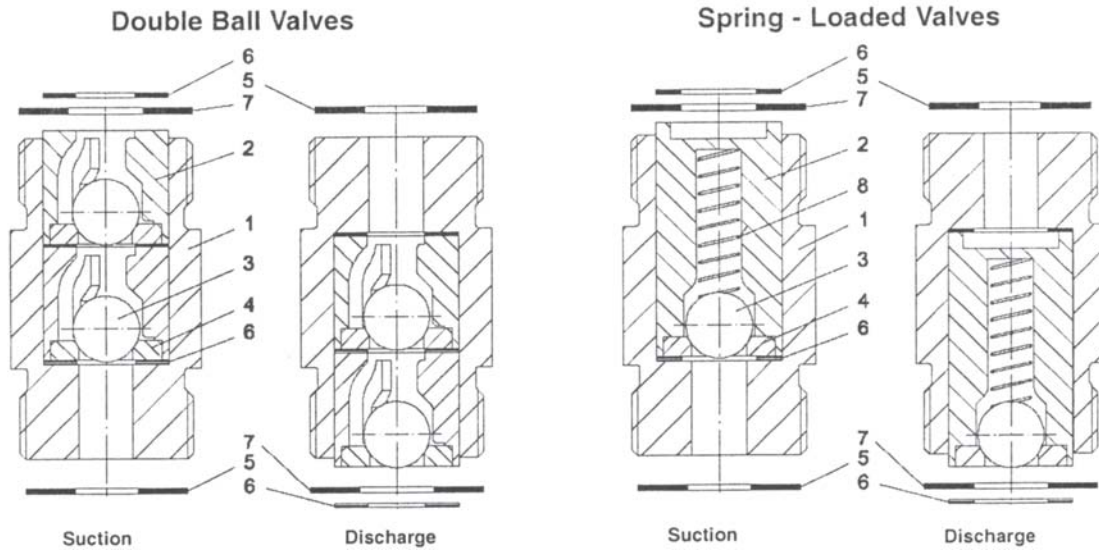
Valves for MAGDOS DE/DX 07-12

Spring-Loaded Single Ball Valves



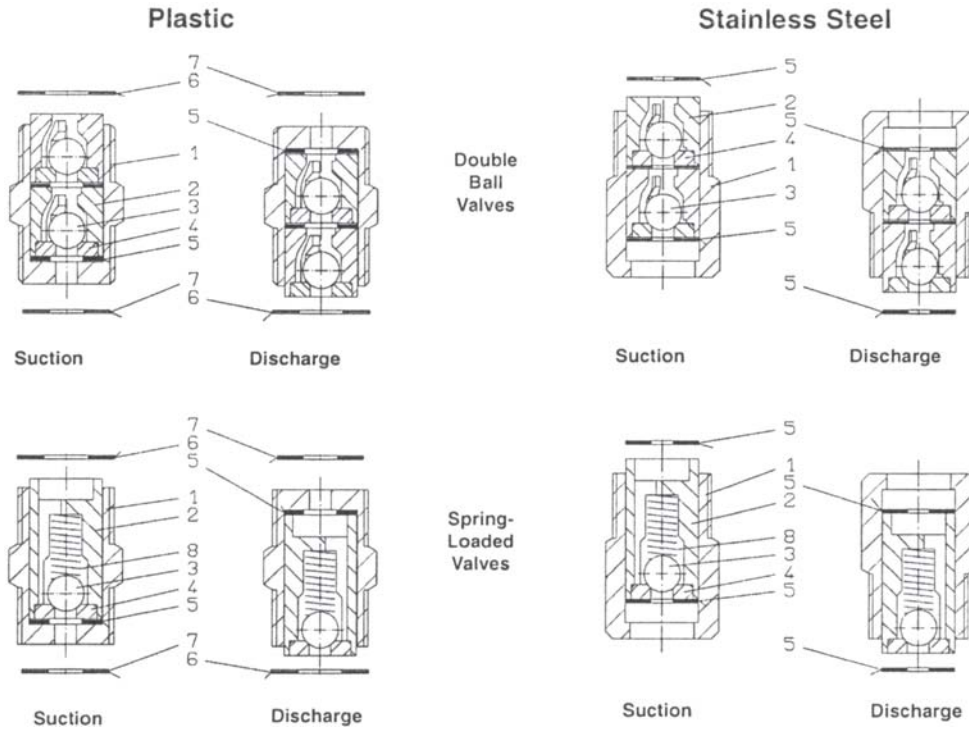
Item No.	Description	Material	Part No.	Suction									Discharge								
				PVC			316 SS			PVDF			PVC			316 SS			PVDF		
				Seal Material: H=Hypalon, P=PTFE, V=Viton																	
				H	P	V	H	P	V	H	P	V	H	P	V	H	P	V	H	P	V
1	Valve Body	PVC	20845	1	1	1	--	--	--	--	--	--	1	1	1	--	--	--	--	--	--
		PVDF	28108	--	--	--	--	--	--	1	1	1	--	--	--	--	--	--	1	1	1
		316SS	19289	--	--	--	1	1	1	--	--	--	--	--	--	1	1	1	--	--	--
2	Ball Guide	PVC	24066	1	1	1	--	--	--	--	--	--	1	1	1	--	--	--	--	--	--
		PVDF	24067	--	--	--	1	1	1	--	--	--	--	--	--	1	1	1	--	--	--
		316SS	29386	--	--	--	--	--	--	1	1	1	--	--	--	--	--	--	1	1	1
3	Valve Ball	Glass	29778	1	1	1	--	--	--	--	--	--	1	1	1	--	--	--	--	--	--
		316SS	18044	--	--	--	1	1	1	--	--	--	--	--	--	1	1	1	--	--	--
		PTFE	25247	--	--	--	--	--	--	1	1	1	--	--	--	--	--	--	1	1	1
4	Valve Seat	PVDF	81460	1	1	1	--	--	--	1	1	1	1	1	1	--	--	--	1	1	1
		316SS	81461	--	--	--	1	1	1	--	--	--	--	--	--	1	1	1	--	--	--
5	Gasket	Viton	81825	--	--	1	--	--	1	--	--	1	--	--	1	--	--	1	--	--	1
		PTFE	81841	--	1	--	--	1	--	--	1	--	--	1	--	--	1	--	--	1	--
		EPDM	81824	1	--	--	1	--	--	1	--	--	1	--	--	1	--	--	1	--	--
6	O-ring	EPDM	81384	--	--	1	--	--	1	--	--	1	--	--	1	--	--	1	--	--	1
		Viton	80617	--	1	--	--	1	--	--	1	--	--	1	--	--	1	--	--	1	--
		PTFE	80754	1	--	--	1	--	--	1	--	--	1	--	--	1	--	--	1	--	--
7	Locking Screw	PVC	19299	1	1	1	--	--	--	--	--	--	1	1	1	--	--	--	--	--	--
		PVDF	28110	--	--	--	--	--	--	1	1	1	--	--	--	--	--	--	1	1	1
		316SS	24031	--	--	--	1	1	1	--	--	--	--	--	--	1	1	1	--	--	--
8	Valve Spring	Hastelloy	25081	1	1	1	1	1	1	1	1	1	1	1	1	1	1	1	1	1	1
9	O-ring	Viton	80013	--	--	1	--	--	1	--	--	1	--	--	1	--	--	1	--	--	1
		PTFE	80627	--	1	--	--	1	--	--	1	--	--	1	--	--	1	--	--	1	--
		EPDM	80755	1	--	--	1	--	--	1	--	--	1	--	--	1	--	--	1	--	--
10	Gasket	Viton	81526	--	--	1	--	--	1	--	--	1	--	--	1	--	--	1	--	--	1
		PTFE	81585	--	1	--	--	1	--	--	1	--	--	1	--	--	1	--	--	1	--
		EPDM	81525	1	--	--	1	--	--	1	--	--	1	--	--	1	--	--	1	--	--
Complete Valve Assembly				33499	25085	25087	34397	25089	25669	34393	29348	34370*	33500	25086	25088	34398	25090	25670	34394	29385	34371*

*Hydrofluosilicic Acid Service (H₂SiF₆)



Item No.	Description	Material	Part No.	Double Ball												Spring-Loaded			
				Suction						Discharge						Suction		Discharge	
				PP		316SS		PVDF		PP		316SS		PVDF		PP	PP		
				Seal Material: H=Hypalon, V=Viton															
				H	V	H	V	H	V	H	V	H	V	H	V	H	V		
1	Valve Body	PP	34665	1	1	--	--	--	--	1	1	--	--	--	--	1	1	1	1
		316SS	32449	--	--	1	1	--	--	--	--	1	1	--	--	--	--	--	--
		PVDF	34082	--	--	--	--	1	1	--	--	--	--	1	1	--	--	--	--
2	Ball Guide	PP	34142	2	2	--	--	--	--	2	2	--	--	--	--	--	--	--	--
		316SS	82112	--	--	2	2	--	--	--	--	2	2	--	--	--	--	--	--
		PP	22882	--	--	--	--	--	--	--	--	--	--	--	--	1	1	1	1
		PVDF	34084	--	--	--	--	2	2	--	--	--	--	2	2	--	--	--	--
3	Valve Ball	Glass	82457	2	2	--	--	--	--	2	2	--	--	--	--	1	1	1	1
		316SS	82114	--	--	2	2	--	--	--	--	2	2	--	--	--	--	--	--
		PTFE	261504	--	--	--	--	2	2	--	--	--	--	2	2	--	--	--	--
4	Valve Seat	PP	82456	2	2	--	--	--	--	2	2	--	--	--	--	1	1	1	1
		316SS	82113	--	--	2	2	--	--	--	--	2	2	--	--	--	--	--	--
		PVDF	34083	--	--	--	--	2	2	--	--	--	--	2	2	--	--	--	--
5	Gasket	Hypalon	81035	1	--	1	--	1	--	1	--	1	--	1	--	1	--	1	--
		Viton	81198	--	1	--	1	--	1	--	1	--	1	--	1	--	1	--	1
6	Gasket	Hypalon	81238	2	--	3	--	2	--	2	--	3	--	2	--	1	--	1	--
		Viton	81276	--	2	--	3	--	2	--	2	--	3	--	2	--	1	--	1
7	Gasket	Hypalon	81239	2	--	--	--	1	--	1	--	--	--	1	--	1	--	1	--
		Viton	81277	--	2	--	--	--	1	--	2	--	--	--	1	--	1	--	1
8	Valve Spring	Hastelloy	32577	--	--	--	--	--	--	--	--	--	--	--	1	1	1	1	
Complete Valve Assembly				26841	26842	260471	27652	261529	261527	27356	27357	260482	27655	261528	261526	26845	25707	27353	27354

* Quantity 3 required on 316SS Double Ball valves



Item No.	Description	Material	Part No.	Double Ball								Spring-Loaded			
				Suction				Discharge				Suction		Discharge	
				PVC		316SS		PVC		316SS		PVC	PVC	PVC	PVC
				H	V	H	V	H	V	H	V	H	V	H	V
1	Valve Housing	PVC	18189	1	1	--	--	1	1	--	--	1	1	1	1
		316SS	19601	--	--	1	1	--	--	1	1	--	--	--	--
2	Ball Guide	PVC	82405	2	2	--	--	2	2	--	--	--	--	--	--
		316SS	82102	--	--	2	2	--	--	2	2	--	--	--	--
		PVC	23412	--	--	--	--	--	--	--	--	1	1	1	1
3	Valve Ball	Ceramic	10017	2	2			2	2			1	1	1	1
		316SS	10136			2	2			2	2				
4	Valve Seat	PVC	82406	2	2			2	2			1	1	1	1
		316SS	82103			2	2			2	2				
5	Gasket	Hypalon	81037	2		2		2		2		1		1	
		Viton	81138		2		2		2		2		1		1
6	Gasket	Hypalon	81033	1		1		1		1		1		1	
		Viton	81285		1		1		1		1		1		1
7	Gasket	Hypalon	81041	1		1		1		1		1		1	
		Viton	81141		1		1		1		1		1		1
8	Valve Spring	Hastelloy	25082									1	1	1	1
Complete Valve Assembly				18187	18185	260470	19176	18188	18186	260481	19177	25161	25162	27516	27517