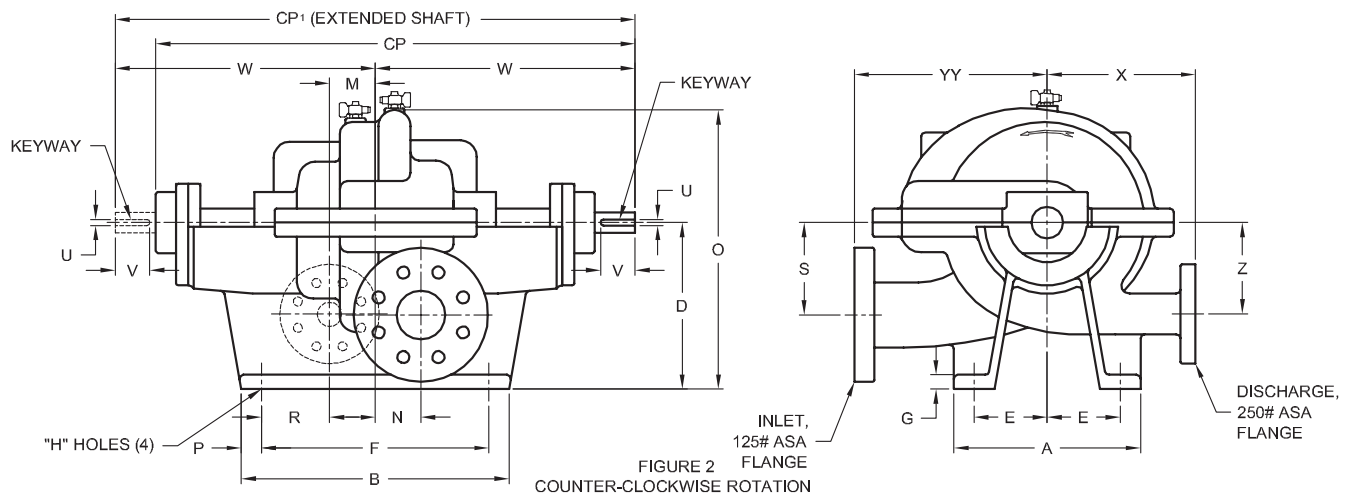
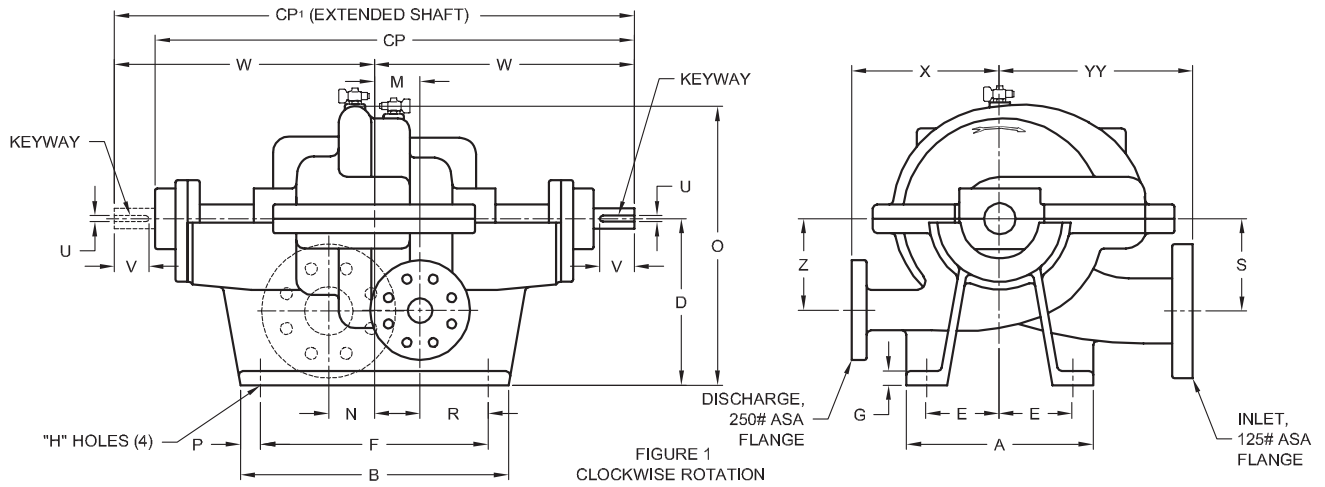


### Multi-Stage Split Case Pumps - Horizontally Mounted

<b>PUMP NO.</b>	<b>PUMP:</b>	<b>MOTOR:</b>	<b>VOLTS:</b>
<b>FOR:</b>	<b>TDH:</b>	<b>HP:</b>	<b>HZ:</b>
<b>CERT. BY:</b>	<b>GPM:</b>	<b>RPM:</b>	<b>FRAME:</b>
<b>DATE:</b>	<b>ROTATION:</b>	<b>PHASE:</b>	
	<b>FIGURE NO:</b>	<b>ENCLOSURE:</b>	



#### DIMENSIONS IN INCHES

PUMP	DISCH. (INCH)	INLET (INCH)	A	B	D	E	F	G	H	M	N	O	P	R	S	U	V	W	X	Z	CP	CP <sub>1</sub>	YY	KEYWAY (INCH)
<b>STANDARD BEARINGS</b>																								
1.5JD	1.5	3	11.50	16.50	10.25	5.00	15.00	.50	.75	1.19	2.81	19.00	.75	6.31	5.63	1.13	2.75	16.25	9.00	5.63	30.00	32.50	11.75	.25 x .13
2JD	2	3	11.50	16.50	10.25	5.00	15.00	.50	.75	1.19	.00	19.00	.75	6.31	5.50	1.13	2.75	16.25	10.25	5.50	30.00	32.50	12.75	.25 x .13
3JD	3	4	11.50	16.50	10.75	5.00	15.00	.50	.75	1.19	3.44	20.50	.75	6.31	5.63	1.38	3.25	17.13	9.75	5.63	31.50	34.25	14.00	.31 x .16
<b>WATER COOLED THRUST BEARINGS ONLY</b>																								
1.5JD	1.5	3	11.50	16.50	10.25	5.00	15.00	.50	.75	1.19	2.81	19.00	.75	6.31	5.63	1.13	2.75	16.25	9.00	5.63	30.63	32.50	11.75	.25 x .13
2JD	2	3	11.50	16.50	10.25	5.00	15.00	.50	.75	1.19	.00	19.00	.75	6.31	5.50	1.13	2.75	16.25	10.25	5.50	30.63	32.50	12.75	.25 x .13
3JD	3	4	11.50	16.50	10.75	5.00	15.00	.50	.75	1.19	3.44	20.50	.75	6.31	5.63	1.38	3.25	17.13	9.75	5.63	32.63	34.25	14.00	.31 x .16
<b>WATER COOLED RADIAL AND THRUST BEARINGS</b>																								
1.5JD	1.5	3	11.50	16.50	10.25	5.00	15.00	.50	.75	1.19	2.81	19.00	.75	6.31	5.63	1.13	3.75	18.63	9.00	5.63	33.00	37.25	11.75	.25 x .13
2JD	2	3	11.50	16.50	10.25	5.00	15.00	.50	.75	1.19	.00	19.00	.75	6.31	5.50	1.13	3.75	18.63	10.25	5.50	33.00	37.25	12.75	.25 x .13
3JD	3	4	11.50	16.50	10.75	5.00	15.00	.50	.75	1.19	3.44	20.50	.75	6.31	5.63	1.38	3.75	18.63	9.75	5.63	34.00	37.25	14.00	.31 x .16

# 2 Stage Type "JD"

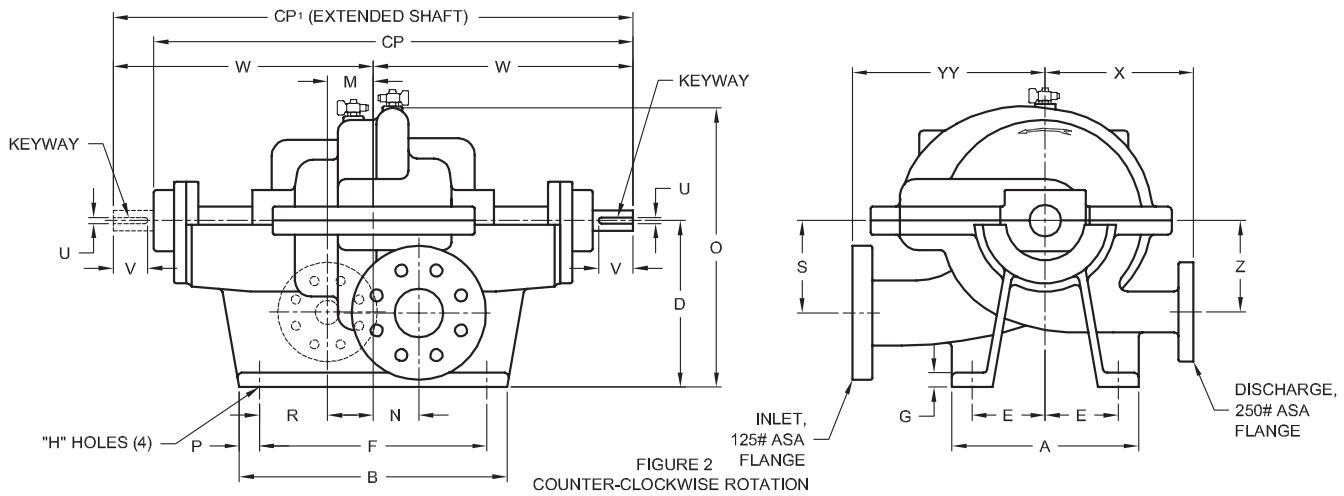
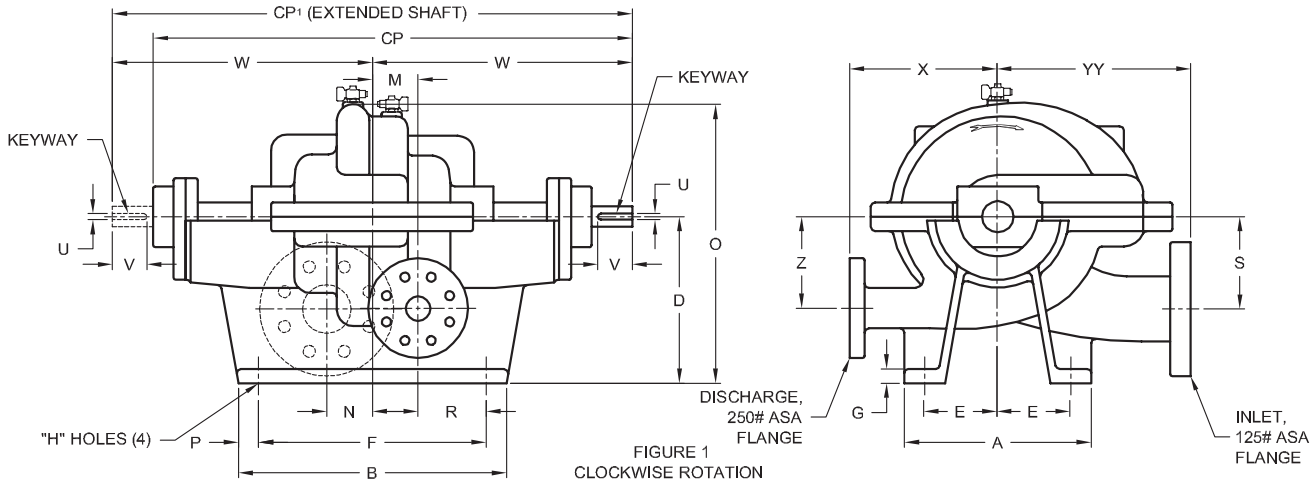
1.5", 2" & 3", Discharge with Steel Adapter Base A7141  
Metric (mm)

# WEINMAN®

www.cranepumps.com

## Multi-Stage Split Case Pumps - Horizontally Mounted

<b>PUMP NO.</b>	<b>PUMP:</b>	<b>MOTOR:</b>	<b>VOLTS:</b>
<b>FOR:</b>	<b>TDH:</b>	<b>HP:</b>	<b>HZ:</b>
<b>CERT. BY:</b>	<b>ROTATION:</b>	<b>RPM:</b>	<b>FRAME:</b>
<b>DATE:</b>	<b>FIGURE NO:</b>	<b>PHASE:</b>	
		<b>ENCLOSURE:</b>	



### DIMENSIONS IN MILLIMETERS

PUMP	DISCH. (INCH)	INLET (INCH)	A	B	D	E	F	G	H	M	N	O	P	R	S	U	V	W	X	Z	CP	CP <sub>1</sub>	YY	KEYWAY (INCH)
<b>STANDARD BEARINGS</b>																								
1.5JD	1.5	3	292	419	260	127	381	13	19	30	71	483	19	160	143	29	70	413	229	143	762	826	298	.25 x .13
2JD	2	3	292	419	260	127	381	13	19	30	0	483	19	160	140	29	70	413	260	140	762	826	324	.25 x .13
3JD	3	4	292	419	273	127	381	13	19	30	87	521	19	160	143	35	83	435	248	143	800	870	356	.31 x .16
<b>WATER COOLED THRUST BEARINGS ONLY</b>																								
1.5JD	1.5	3	292	419	260	127	381	13	19	30	71	483	19	160	143	29	70	413	229	143	778	826	298	.25 x .13
2JD	2	3	292	419	260	127	381	13	19	30	0	483	19	160	140	29	70	413	260	140	778	826	324	.25 x .13
3JD	3	4	292	419	273	127	381	13	19	30	87	521	19	160	143	35	83	435	248	143	829	870	356	.31 x .16
<b>WATER COOLED RADIAL THRUST BEARINGS</b>																								
1.5JD	1.5	3	292	419	260	127	381	13	19	30	71	483	19	160	143	29	95	473	229	143	838	946	298	.25 x .13
2JD	2	3	292	419	260	127	381	13	19	30	0	483	19	160	140	29	95	473	260	140	838	946	324	.25 x .13
3JD	3	4	292	419	273	127	381	13	19	30	87	521	19	160	143	35	95	473	248	143	864	946	356	.31 x .16

SECTION 1310  
PAGE 12  
DATE 2/10

# CRANE®

A Crane Co. Company

## PUMPS & SYSTEMS

USA: (937) 778-8947 • Canada: (905) 457-6223 • International: (937) 615-3598