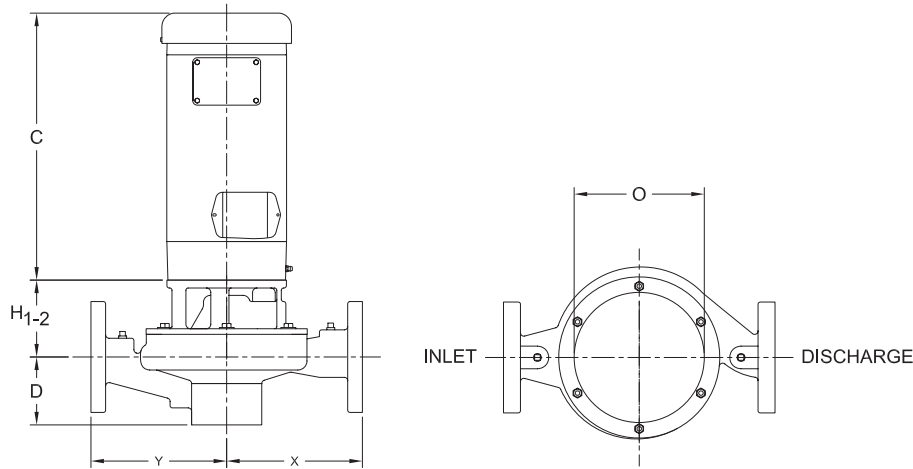


## Close Coupled In-Line Pumps

<b>PUMP NO.</b>	<b>PUMP:</b>	<b>MOTOR:</b>	<b>VOLTS:</b>
<b>FOR:</b>	<b>TDH:</b>	<b>HP:</b>	<b>HZ:</b>
<b>CERT. BY:</b>	<b>GPM:</b>	<b>RPM:</b>	<b>FRAME:</b>
<b>DATE:</b>	<b>ROTATION:</b>	<b>PHASE:</b>	
	<b>FIGURE NO:</b>	<b>ENCLOSURE:</b>	



<b>Motor Dimensions</b>	<b>Motor Frames</b>	<b>143 JM</b>	<b>145 JM</b>	<b>145 JM</b>	<b>182 JM</b>	<b>184 JM</b>	<b>213 JM</b>	<b>215 JM</b>	<b>254 JM</b>	<b>256 JM</b>	<b>284 JM</b>	<b>286 JM</b>	<b>324 JM</b>	<b>326 JM</b>
	HP - 1750 RPM	1	1.5	2	3	5	7.5	10	15	20	25	30	40	50
	HP - 3500 RPM	1.5	2	3	5	7.5	10	15	20	25	30	40	50	60
	C - DIMENSION DRIP PROOF	10.50 (267)	11.50 (292)	11.50 (292)	12.50 (318)	13.50 (343)	15 (381)	16.50 (419)	18.75 (476)	20.75 (527)	21.50 (546)	23 (584)	24.50 (622)	25.50 (648)
	O - DIMENSION DRIP PROOF	7 (178)	7 (178)	7 (178)	9 (229)	9 (229)	10.62 (270)	10.62 (270)	12.50 (318)	12.50 (318)	14 (356)	14 (356)	16 (406)	16 (406)
	C - DIMENSION TEFC	12 (305)	13 (330)	13 (330)	14.25 (362)	15.25 (362)	17.25 (438)	18.25 (464)	21.25 (540)	23 (584)	24.50 (622)	25.50 (648)	26 (660)	27 (686)
	O - DIMENSION TEFC	7.25 (184)	7.25 (184)	7.25 (184)	9.37 (238)	9.37 (238)	11.12 (282)	11.12 (282)	13.25 (337)	13.25 (337)	15 (381)	15 (381)	17 (432)	17 (432)

<b>Pump Dimensions</b>	<b>Pump Model</b>	<b>ANSI Size Flange</b>		<b>X</b>	<b>Y</b>	<b>D</b>	<b>H<sub>1</sub></b> (140 - 210 JM)	<b>H<sub>2</sub> *</b> (250 JM)
		<b>Inlet</b>	<b>Disch.</b>					
	1507CV	1.5	1.5	7.5 (191)	7.5 (191)	3.75 (95)	2.62 (67)	2.62 (67)
	2007CV	2	2	7.5 (191)	7.5 (191)	4.37 (111)	4.43 (113)	4.43 (113)
	2507CV	2.5	2.5	8 (203)	8 (203)	5.25 (133)	4.53 (116)	4.53 (116)
	3007CV	3	3	9.50 (241)	9.50 (241)	5.75 (146)	4.43 (113)	4.75 (120)
	4007CV	4	4	10 (254)	10 (254)	6.12 (156)	4.78 (121)	5.03 (128)
	2095CV	2	2	9.50 (241)	9.50 (241)	4.50 (114)	3.75 (95)	4.88 (124)
	2595CV	2.5	2.5	10 (254)	10 (254)	5.50 (140)	3.75 (95)	4.88 (124)
	3095CV	3	3	11 (279)	11 (279)	6 (152)	3.75 (95)	4.88 (124)
	4095CV	4	4	12 (305)	12 (305)	6.81 (173)	4.97 (126)	4.97 (126)
6012CV	6	6	15 (381)	14.5 (368)	7.50 (191)	5.37 (136)	5.37 (136)	

\* Use with Motor Frame 254 JM and up

X & Y Dimensions are constant for any offered ANSI Flange Rating

() = Metric Dimensions, mm