



INSTALLATION, OPERATION & MAINTENANCE MANUAL

J & JX SERIES SIDE DISCHARGE Electric Submersible Pumps

Single Phase
115 & 230V
Three Phase
208V, 230V, 460V & 575V

CAST IRON

SINGLE PHASE

J400
J750
J1500
J1500H

THREE PHASE

J08 J15H
J15 J22H
J22 J37H
J37 J55CH
J55C J75CH
J75C

316 STAINLESS STEEL

SINGLE PHASE

JX400SS
JX750SS
JX1500SS
JX1500HSS

THREE PHASE

JX08SS JX15HSS
JX15SS JX22HSS
JX22SS JX37HSS
JX37SS JX55CHSS
JX55CSS JX75CHSS
JX75CSS

Read this manual carefully before installing, operating or servicing these pump models. Observe all safety information. Failure to comply with instructions may result in personal injury and/or property damage. Please retain these instructions.

TABLE OF CONTENTS

INTRODUCTION.....	4
SAFETY	5
INSPECTION	6
PRE-INSTALLATION INSPECTION.....	6
OIL FILL QUANTITY/TYPE.....	7
PUMP INSTALLATION	8
POSITIONING THE PUMP	8
PUMP ROTATION.....	9
PUMP OPERATION.....	10
TYPICAL MANUAL DEWATERING-EFFLUENT INSTALLATION	10
TYPICAL AUTOMATIC DEWATERING-EFFLUENT INSTALLATION	11
INTENDED METHODS OF CONNECTION.....	12
SINGLE PHASE WIRING INSTRUCTIONS	13
THREE PHASE WIRING INSTRUCTIONS	13
TROUBLE SHOOTING	14
PUMP WILL NOT RUN	14
PUMP RUNS BUT DOES NOT DELIVER RATED CAPACITY	5
SERVICING YOUR SUBMERSIBLE PUMP	5
MAINTAINING YOUR PUMP	5
CHANGING SEAL OIL.....	5
EXPLODED VIEW OF J400, JX400SS.....	15
EXPLODED VIEW OF J750, JX750SS, J1500H, JX1500HSS	16
EXPLODED VIEW OF J08, JX08, J15, JX15SS, J15H, JX15HSS.....	17
EXPLODED VIEW OF J22, JX22SS, J22H, JX22HSS, J37, JX37SS, J37H, JX37HSS.....	18
EXPLODED VIEW OF J55C, JX55CSS, J55CH, JX55CHSS, J75C, JX75CSS, J75CH, JX75CHSS	19
EXPLODED VIEW OF JX750SS, JX1500SS, JX1500HSS (PRECISION CAST MODELS).....	20
EXPLODED VIEW OF JX08SS, JX15SS, JX15HSS (PRECISION CAST MODELS)	21
EXPLODED VIEW OF JX22SS, JX37SS (PRECISION CAST MODELS).....	22
J SERIES PARTS LIST	23
JX SERIES PARTS LIST.....	25
JX PRECISION CAST PARTS LIST.....	27
SINGLE PHASE WIRING DIAGRAM 115V & 230V W/O GOVERNOR SWITCH.....	29
MODELS J400, JX400SS	29
MODELS J750, JX750, J1500, JX1500H, JX1500HSS	30
THREE PHASE WIRING DIAGRAM	31
208V	31
MODELS J08, JX08SS, J15, JX15SS, J15H, JX15HSS, J22, JX22SS, J22H, JX22HSS, J37, JX37SS, J37H, J37HSS, J55C, J55CSS, J55CH, J55CHSS, J75C, JX75CSS, J75CH, J75CHSS.....	31
230V	32
MODELS J08, JX08SS, J15, JX15SS, J15H, JX15HSS, J22, JX22SS, J22H, JX22HSS, J37, JX37SS, J37H, J37HSS, J55C, J55CSS, J55CH, J55CHSS, J75C, JX75CSS, J75CH, J75CHSS.....	32
460V	33
MODELS J08, JX08SS, J15, JX15SS, J15H, JX15HSS, J22, JX22SS, J22H, JX22HSS, J37, JX37SS, J37H, J37HSS, J55C, J55CSS, J55CH, J55CHSS, J75C, JX75CSS, J75CH, J75CHSS.....	33
575V	34
MODELS J08, JX08SS, J15, JX15SS, J15H, JX15HSS, J22, JX22SS, J22H, JX22HSS, J37, JX37SS, J37H, J37HSS, J55C, J55CSS, J55CH, J55CHSS, J75C, JX75CSS, J75CH, J75CHSS.....	34
SEAL MINDER®.....	35
WARRANTY AND LIMITATION OF LIABILITY.....	37
START-UP REPORT FORM	38
NOTES:.....	41



INTRODUCTION

This Installation, Operation and Maintenance manual provides important information on safety and the proper inspection, disassembly, assembly and testing of the BJM Pumps® J & JX Series submersible pump. This manual also contains information to optimize performance and longevity of your **BJM Pumps** submersible pump.

The submersible J Series pumps are designed to pump water and municipal/industrial effluent wastewater. The JX Series pumps are designed to pump corrosive liquids in concentrations chemically compatible with 316SS and FKM. The J & JX Series pumps are not explosion proof. They are not designed to pump volatile or flammable liquids.

Note: Consult chemical resistance chart for compatibility between pump materials and liquid before operating pump.

If you have any questions regarding the inspection, disassembly, assembly or testing please contact your **BJM Pumps** distributor, or BJM Pumps, LLC.

BJM Pumps, LLC
123 Spencer Plain Rd.
Old Saybrook, CT 06475, USA

Fax: 860-399-7784
Phone: 877-256-7867
Phone: 860-399-5937

Information, including pump data sheets and performance curves, is also available on our web site: www.bjmpumps.com

For assistance with your electric power source, please contact a certified electrician.

Please pay attention to the following alert notifications. They are used to notify operators and maintenance personnel to pay special attention to procedures, to avoid causing damage to the equipment, and to avoid situations that could be dangerous to personnel.

NOTE: Instructions to aid in installation, operation, and maintenance or which clarify a procedure.

⚠ DANGER Immediate hazards that WILL result in severe personal injury or death. These instructions describe the procedure required and the injury which will result from failure to follow the procedure.

⚠ WARNING Hazards or unsafe practices that COULD result in severe personal injury or death. These instructions describe the procedure required, and the injury which could result from failure to follow the procedure.

⚠ CAUTION Hazards or unsafe practices which COULD result in personal injury or product or property damage. These instructions describe the procedure required and the possible damage which could result from failure to follow the procedure.



SAFETY

Pump installations are seldom identical. Each installation and application can vary due to many different factors. It is the owner/service mechanics responsibility to repair, service, and test to ensure that the pump integrity is not compromised according to this manual.

⚠ WARNING Risk of electric shock – this pump has not been investigated for use in swimming pool areas.

⚠ DANGER Do not pump flammable, inflammable or volatile liquids. Death or serious injury will result.

⚠ WARNING Before attempting to open or service the pump:

- 1) Familiarize yourself with this manual.
- 2) Unplug or disconnect the pump power cable to ensure that the pump will remain inoperative.
- 3) Allow the pump to cool if overheated.

⚠ WARNING Do not operate the pump with a worn or damaged electric power cable. Death or serious injury could occur.

⚠ WARNING Never attempt to alter the length or repair any power cable with a splice. The pump motor and pump motor and cable must be completely waterproof. Damage to the pump or personal injury may result from alterations.

⚠ WARNING After the pump has been installed, make sure that the pump and all piping are secure before operation.

⚠ WARNING Do not lift the pump by the power cable piping or discharge hose. Attach proper lifting equipment to the lifting handle (or lifting rings) fitted to the pump. Do not suspend the pump by the power cable.

⚠ WARNING Obtain the services of a qualified electrician to troubleshoot, test and/or service the electrical components of this pump.

⚠ CAUTION Pumps and related equipment must be installed and operated according to all national, local and industry standards.



INSPECTION

Review all safety information before servicing pump.

The following are recommended installation practices/procedures for the pump. If there are questions in regards to your specific application, contact your local **BJM Pumps** distributor or BJM Pumps, LLC.

PRE-INSTALLATION INSPECTION

- 1) Check the pump for damage that may have occurred during shipment.
- 2) Inspect the pump for any cracks, dents, damaged threads, etc.
- 3) Check power cord (and Seal Minder® cord, if installed) for any cuts or damage.
- 4) Check for, and tighten any hardware that appears loose.
- 5) Carefully read all tags, decals and markings on the pump.

If anything appears to be abnormal, contact your **BJM Pumps** distributor or BJM Pumps, LLC. If damaged, the pump may need to be repaired before use. Do not install or use the pump until appropriate action has been taken.

Lubrication:

No additional lubrication is necessary. The shaft seal and bearings are fully lubricated from the factory. Seal oil should be checked once per year. See table below.



Note: For EPDM seals propylene glycol is used in the seal chamber

OIL FILL QUANTITY/TYPE

Models	Qty. oil in seal chamber		
	U.S. fl. oz.	C.C.	Type of oil
J400	5.1	150	ISO 32 NSF Food Mineral Grade
J750	8	237	ISO 32 NSF Food Mineral Grade
J1500	8	237	ISO 32 NSF Food Mineral Grade
J08	8	237	ISO 32 NSF Food Mineral Grade
J15	8	237	ISO 32 NSF Food Mineral Grade
J22	9	266	ISO 32 NSF Food Mineral Grade
J37	9	266	ISO 32 NSF Food Mineral Grade
J55C	45.6	1350	ISO 32 NSF Food Mineral Grade
J75C	45.6	1350	ISO 32 NSF Food Mineral Grade

Models	Qty. oil in seal chamber		
	U.S. fl. oz.	C.C.	U.S. fl. oz.
J1500H	9	265	ISO 32 NSF Food Mineral Grade
J15H	9	265	ISO 32 NSF Food Mineral Grade
J22H	10.8	320	ISO 32 NSF Food Mineral Grade
J37H	10.8	320	ISO 32 NSF Food Mineral Grade
J55CH	45.6	1350	ISO 32 NSF Food Mineral Grade
J75CH	45.6	1350	ISO 32 NSF Food Mineral Grade

Models	Qty. oil in seal chamber		
	U.S. fl. oz.	C.C.	Type of oil
JX400SS	5.1	150	ISO 32 NSF Food Mineral Grade
JX750SS	6.75	200	ISO 32 NSF Food Mineral Grade
JX1500SS	6.75	200	ISO 32 NSF Food Mineral Grade
JX08SS	6.75	200	ISO 32 NSF Food Mineral Grade
JX15SS	6.75	200	ISO 32 NSF Food Mineral Grade
JX22SS	12	355	ISO 32 NSF Food Mineral Grade
JX37SS	12	355	ISO 32 NSF Food Mineral Grade
JX55CSS	45.6	1350	ISO 32 NSF Food Mineral Grade
JX75CSS	45.6	1350	ISO 32 NSF Food Mineral Grade

Models	Qty. oil in seal chamber		
	U.S. fl. oz.	C.C.	Type of oil
JX1500HSS	10.1	300	ISO 32 NSF Food Mineral Grade
JX15HSS	10.1	300	ISO 32 NSF Food Mineral Grade
JX22HSS	13.5	400	ISO 32 NSF Food Mineral Grade
JX37HSS	13.5	400	ISO 32 NSF Food Mineral Grade
JX55CHSS	45.6	1350	ISO 32 NSF Food Mineral Grade
JX75CHSS	45.6	1350	ISO 32 NSF Food Mineral Grade



PUMP INSTALLATION

J & JX Series pumps have been evaluated for use with water or water based solutions. Please contact the manufacturer for additional information.

⚠ WARNING **Risk of electric shock.** Pump models; J400, JX400, J750 & JX750 (115v) are supplied with a grounding conductor and grounding-type attachment plug. Pump models 230V single phase pumps and all three phase pumps do not come with electric plug connectors. To reduce the risk of electric shock, be certain that it is connected only to a properly grounded, grounding-type receptacle.

Lifting:

Attach a rope or lifting chain (not included) to the handle (or lifting rings) on the top of the pump.

⚠ CAUTION Do not lift the pump by the power cable or discharge hose/piping. Proper lifting equipment (rope/chain) must be used.

POSITIONING THE PUMP

BJM Pumps, J & JX Series pumps are designed to operate fully or partially submerged. Do not run the pump dry. Refer to data sheet for minimum submersion depth for your particular model. Data sheets can be obtained online at www.bjimpumps.com or by calling BJM Pumps, LLC at 860-399-5937. As a general rule, J and JX Series side discharge pumps can pump down to a level above the suction screen. Pumping lower than screen will permit air to enter the pump and cavitate, lose prime or become air bound.

⚠ CAUTION

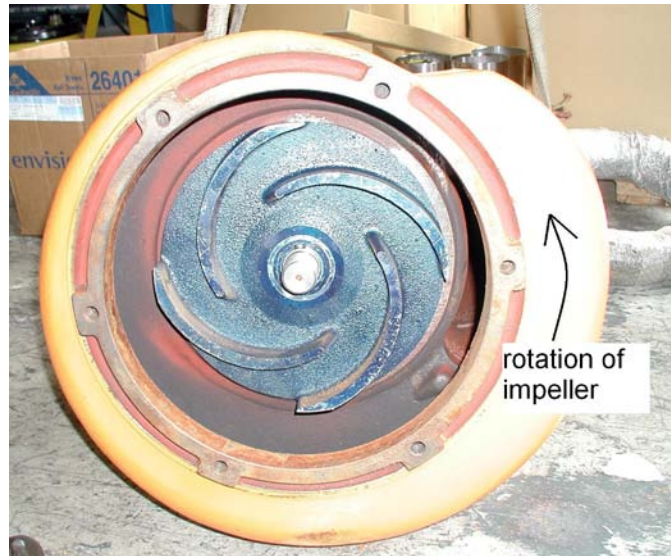
- Do not run the pump dry.
- Pump liquid should not exceed a maximum temperature of 104°F.
- Never place the pump on loose or soft ground. The pump may sink, preventing water from reaching the impeller. Place on a solid surface or suspend the pump with a lifting rope/chain. The J & JX Series pumps are provided with a suction strainer to prevent large solids from clogging the impeller. Any spherical solids which pass through the strainer should pass through the pump.
- For maximum pumping capacity, use the proper size non-collapsible hose or rigid piping. A check valve may be installed after the discharge to prevent back flow when the pump is shut off.



PUMP ROTATION

Two ways to check the correct pump rotation:

1. By looking at the impeller; the rotation of the impeller should be counter clockwise as shown in the picture below.



2. By looking from the top of the pump. Since the impeller cannot be seen, the best way to check the rotation is to check the kick back motion of the pump when the pump just starts. The kick back motion of the pump should be counter clockwise as shown in the picture below.





PUMP OPERATION

⚠ WARNING

This pump is designed to handle dirty water that contains some solids. It is not designed to pump volatile or flammable liquids. Do not attempt to pump any liquids which may damage the pump or endanger personnel as a result of pump failure.

⚠ DANGER

Do not operate this pump where explosive vapors or flammable material exist. Death or Serious injury will result.

TYPICAL MANUAL DEWATERING-EFFLUENT INSTALLATION

NOTE: Maximum recommended starts should not exceed 10 times per hour.

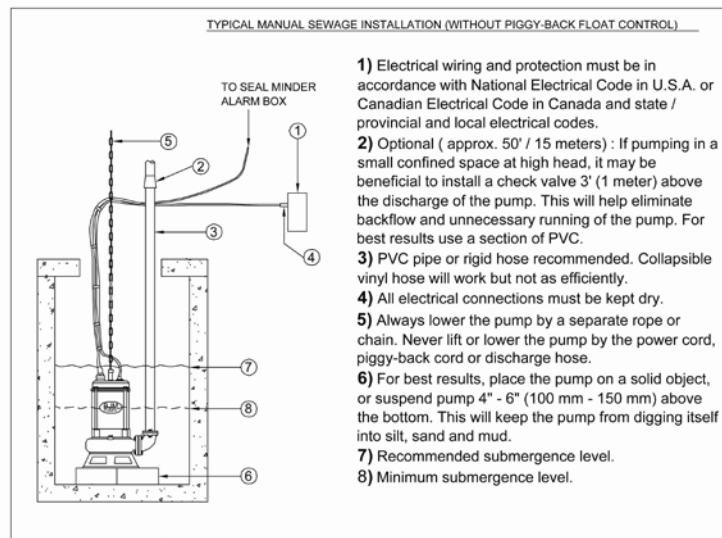
All J & JX models are provided with a 33" (10m) power cord (exception; J1500, JX1500, J1500H) are supplied with a 50' (15m) power cord. NEVER splice the power cable due to safety and warranty considerations. Always keep the plug end dry.

Note: 230V, single phase and 208V, 230V, 460V & 575V three phase units do not have a plug and have to be provided separately.

⚠ WARNING

Do not alter the length or repair any power cable with a splice. The pump motor and cable must be completely waterproof. Damage to the pump or personal injury may result from alterations.

For manual operation: 115 volt: plug the power cable into any 115 volt grounded receptacle. 208, 230, 460 & 575 volt: Attach the proper plug, connect directly to the power source or control box. Check the direction of the rotation. Tilt the pump and start it. It should twist in the opposite direction of the arrow (on pump). It is recommended that a Ground Fault Interrupter (GFI) type receptacle (or equivalent) be used.





⚠ WARNING

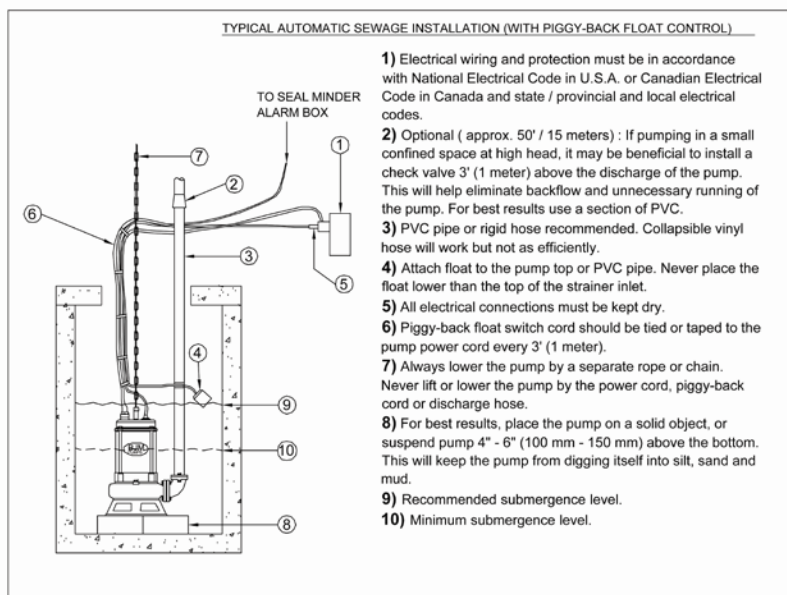
Single phase pumps always use a three-prong grounded receptacle. It is recommended that a Ground Fault Interrupter (GFI) type receptacle (or equivalent) be used.

STOPPING

To stop the pump (manual and automatic mode), unplug it from the power source, turn off the breaker, or turn the power source off (generator).

TYPICAL AUTOMATIC DEWATERING-EFFLUENT INSTALLATION

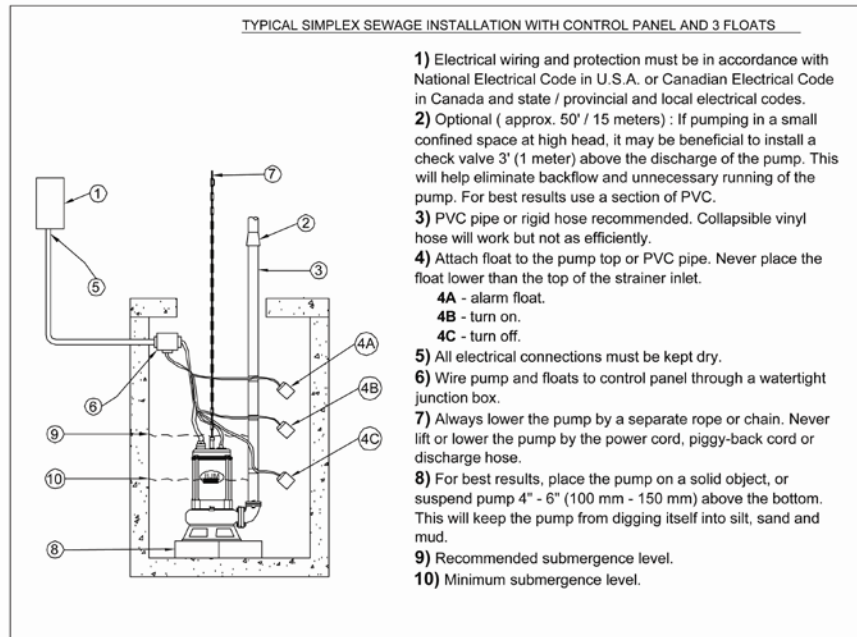
NOTE: Maximum recommended starts should not exceed 10 times per hour.



Float switches (wired into the pump motor or piggy-back style) are available from the factory as an option.

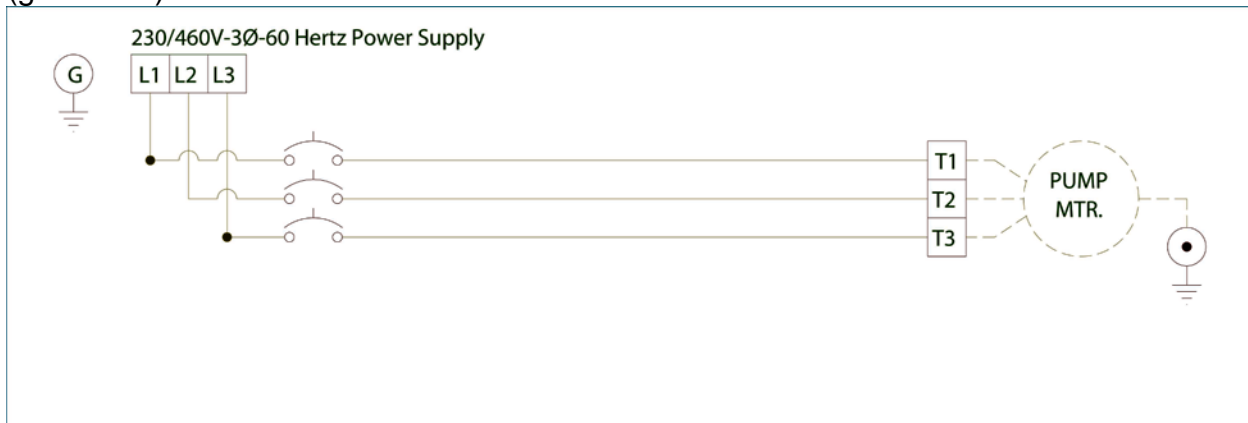
Note: 208, 230V 460V & 575V pumps do not have a plug installed.

Three phase pumps need a separate control box with float(s) for automatic operation.



STOPPING

To stop the pump (manual and automatic mode), unplug it from the power source, turn off the breaker, or turn the power source off (generator).



INTENDED METHODS OF CONNECTION



CAUTION Use with approved motor control that matches motor input in full load amperes. "UTILISER UN DÉMARREUR APPROUVÉ CONVARIANT AU COURANT À PLEINE CHARGE DU MOTEUR."

BJM Pumps has been evaluated for use with water or water based solutions. Please contact the manufacturer for additional information.



SINGLE PHASE WIRING INSTRUCTIONS

⚠ WARNING

FOR YOUR PROTECTION, ALWAYS DISCONNECT PUMP FROM ITS POWER SOURCE BEFORE HANDLING. Single phase pumps are supplied with a three prong grounded plug to help protect you against the possibility of electrical shock. **DO NOT UNDER ANY CIRCUMSTANCES REMOVE THE GROUND PIN.** The three prong plug **must** be inserted into a mating three prong grounded receptacle. **IF** the installation does not have such a receptacle it must be changed to the proper type, wired and grounded in accordance with the National Electrical Code and all applicable local codes and ordinances

⚠ WARNING

“Risk of electrical shock” Do not remove power supply cord and strain relief or connect conduit directly to the pump.

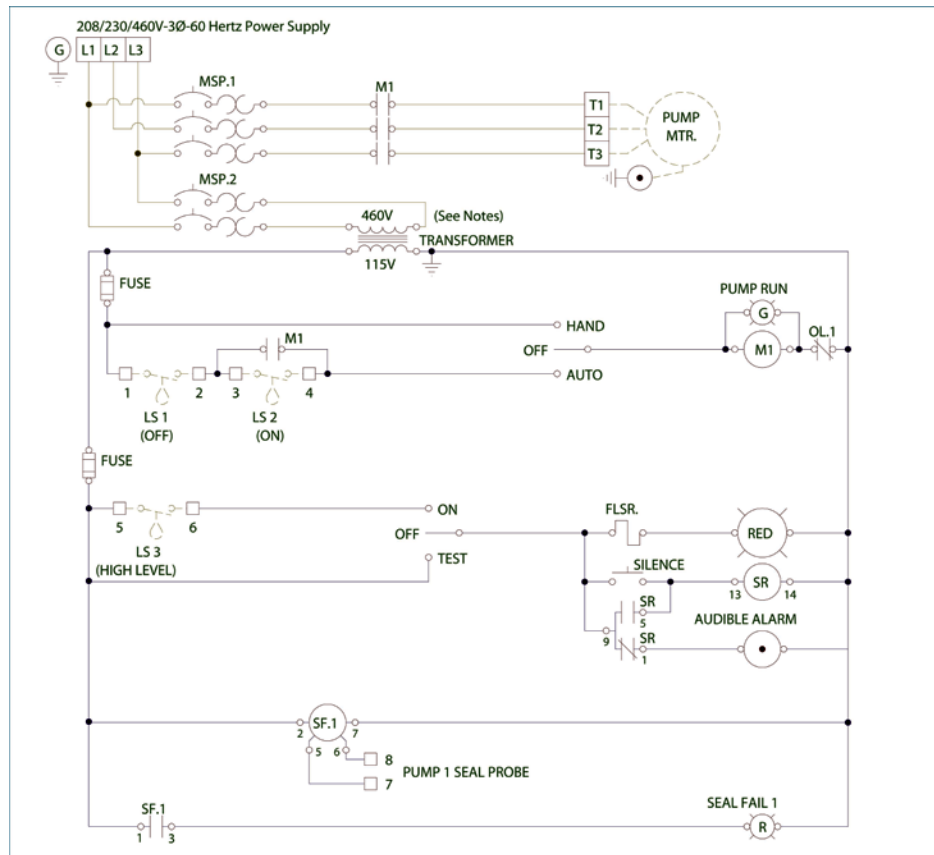
⚠ WARNING

Installation and checking of electrical circuits and hardware should be performed by a qualified licensed electrician.

THREE PHASE WIRING INSTRUCTIONS

⚠ WARNING

FOR YOUR PROTECTION, ALWAYS DISCONNECT PUMP FROM ITS POWER SOURCE BEFORE HANDLING.



Typical 3 phase Auto Control 1



⚠ WARNING

“Risk of electrical shock” Do not remove power supply cord and strain relief or connect conduit directly to the pump.

⚠ WARNING

Installation and checking of electrical circuits and hardware should be performed by a qualified licensed electrician.

To automatically operate a non-automatic three phase pump, a control panel is required. Follow the instructions provided with the panel to wire the system. For automatic three phase pumps see automatic three phase wiring diagram.

Before installing a pump, check the pump rotation to insure that wiring has been connected properly to power source, and that the green lead of power cord (See wiring diagram), is connected to a valid ground, momentarily energize the pump, observing the directions of kick back due to starting torque. Rotation is correct if kick back is in the opposite direction of rotation arrow on the pump casing. If rotation is not correct, switching of any two power leads other than ground will provide the proper rotation.

Three phase pumps have integral motor overload protection. It is recommended that all three phase pumps using a motor starting device also incorporate motor overload protection. Pumps **must** be installed in accordance with the National Electrical Code and all applicable local codes and ordinances. Pumps are not to be installed in locations classified as hazardous in accordance with National Electrical Code, ANSI/NFPA 70.

Connect pump to a junction box, outlet box, control box, enclosure with a wiring compartment that meets NEC and local electrical codes. The provision for supply connection shall reduce the risk of water entry during temporary, limited submersion and shall comply with the applicable requirements of the Standard for Enclosures for Electrical Equipment, UL 50, or the standard for Metallic Outlet Boxes, UL 514A, and the standard for Motor-Operated Water Pumps. UL 778.

TROUBLE SHOOTING

⚠ WARNING

Disconnect the power source to the pump BEFORE attempting any type of trouble shooting, service or repair.

PUMP WILL NOT RUN

1. Check power supply (fuses, breaker). Reset power.
2. Blocked impeller. Remove strainer, check and clean.
3. Defective cable or incorrect wiring.
4. Strainer clogged. Check and clean as necessary.
5. Float switch tangled/obstructed. Clean and free float switch from obstruction.
6. Float switch defective. Replace float switch.
7. Pump overheated or temperature of liquid exceeds pump operating temperature.



Warning: Pump will restart automatically when motor over-heat protection switch cools.

PUMP RUNS BUT DOES NOT DELIVER RATED CAPACITY

1. Discharge line clogged, restricted or hose kinked. Check discharge hose/pipe.
2. Worn impeller and/or suction cover. Inspect and replace as necessary.
3. Pump overloaded due to liquid pumped being too thick.
4. Pumping air. Check liquid level and position of pump.
5. Excessive voltage drops due to long cables.
6. Three phase only; pump running backwards, check rotation.

SERVICING YOUR SUBMERSIBLE PUMP

Pump should be disconnected from the electric power supply before proceeding to do any service or maintenance.

To service or repair your pump, please contact your local **BJM Pumps** distributor. Service should only be performed by a qualified electrician.

MAINTAINING YOUR PUMP

- Pump should be disconnected from the electric power supply before proceeding to do any service or maintenance.
- Pump should be inspected at regular intervals.
- More frequent inspections are required if the pump is used in a harsh environment.
- Preventative maintenance should be performed to reduce the chance of premature failure.
- Worn impellers and lip seals should be replaced.
- Cut or cracked power cords must be replaced. **(Never operate a pump with a cut, cracked or damaged power cord.)**
- Seal oil should be checked once per year.
- Maintenance should always be done when taking a pump out of service before storage.
 - 1) Clean pump of dirt and other build up.
 - 2) Check condition of oil around the shaft seals.
 - 3) Check hydraulic parts: check for wear.
 - 4) Inspect power cable. Make sure that it is free of nicks or cuts.

CHANGING SEAL OIL

Changing the seal oil in the J & JX Series pumps is very easy.

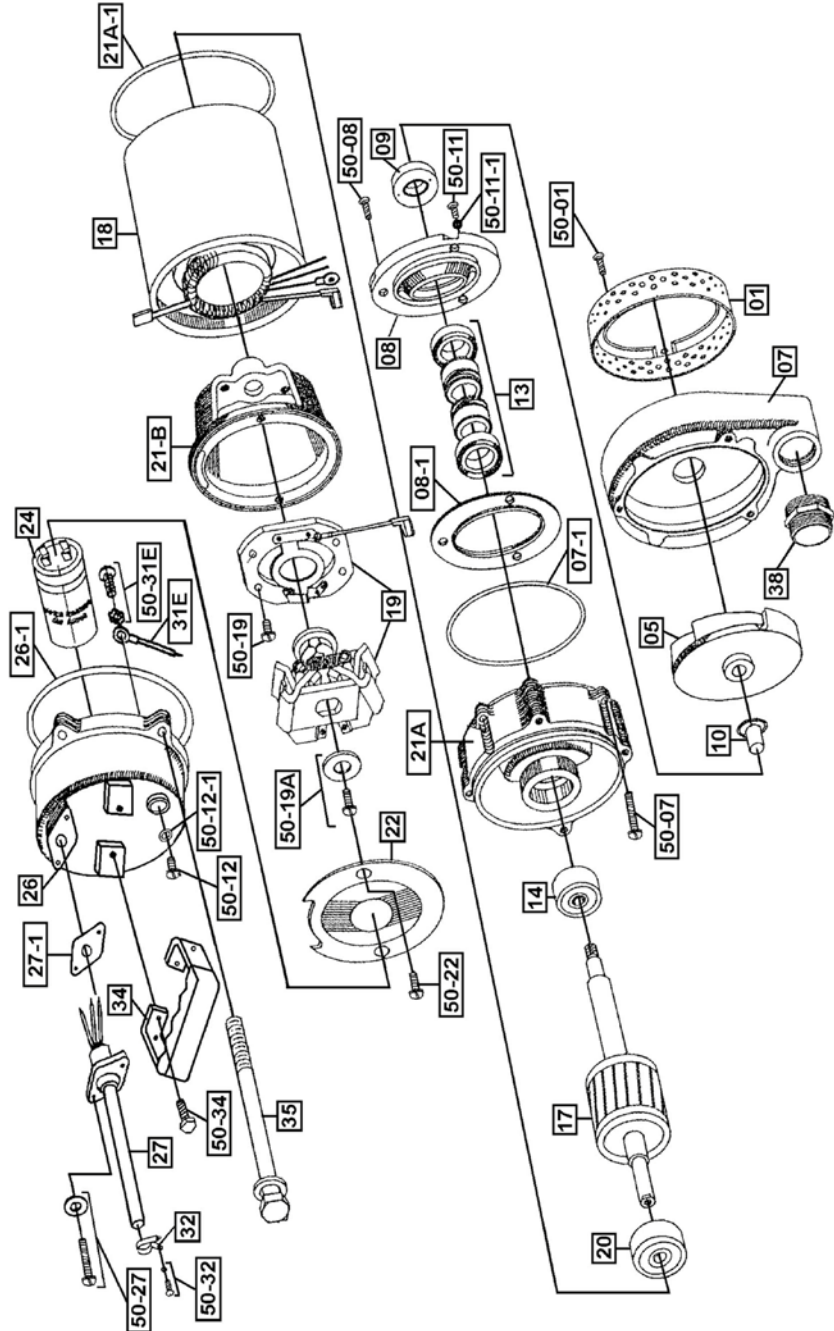
- 1) Make sure that the pump cable is disconnected from the power source.
- 2) Lay the pump down on its side.
- 3) Remove the screws that hold the bottom plate in place.
- 4) Remove bottom plate.
- 5) Remove screws holding the suction cover.
- 6) Remove the suction cover.
- 7) Remove the impeller.



- 8) Remove the inspection screw for the oil chamber (pos#50-08). Pour out a small sample of the oil. If it is milky white, or contains water, then the oil and possible, the mechanical seal, should be changed. If an oil change is needed:
- 9) Remove the screws that hold the oil chamber cover in place & remove the oil.
- 10) Replace the mechanical seal if necessary.
- 11) Replace the oil.
- 12) Assemble the pump.

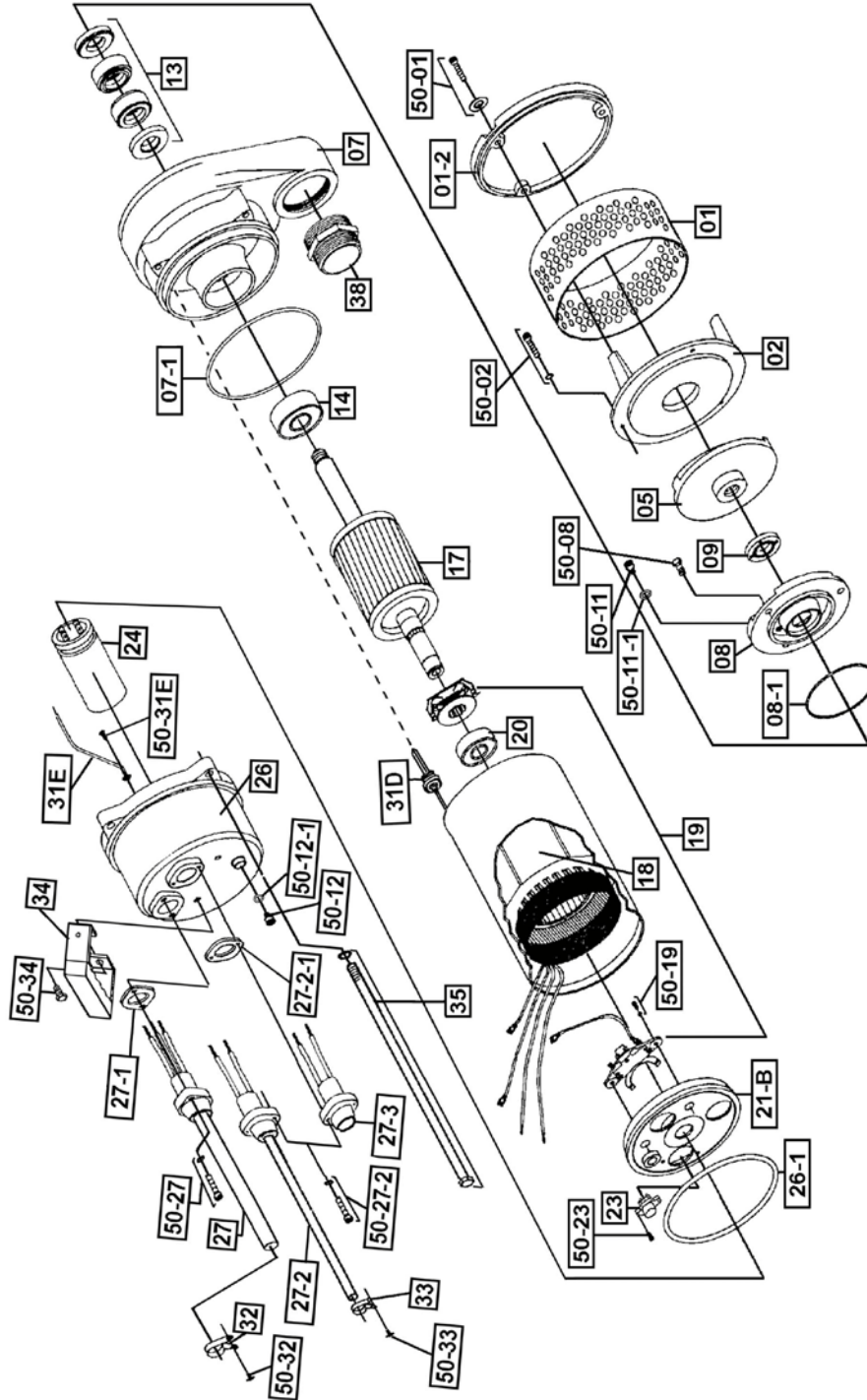


EXPLODED VIEW OF J400, JX400SS





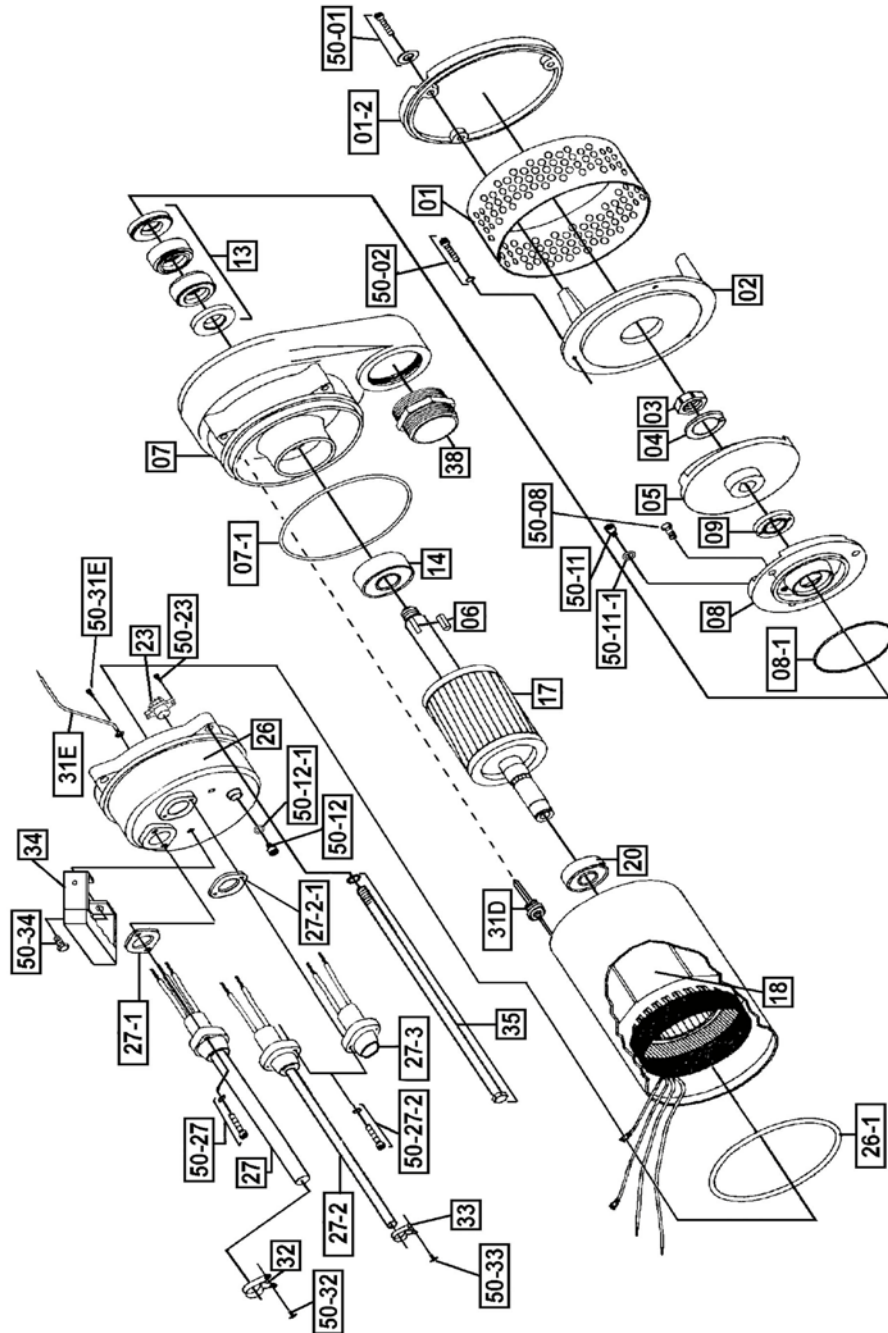
EXPLODED VIEW OF J750, JX750SS, J1500H, JX1500HSS



NOTE: Seal Minder (Pos#27-2, 33, 50-33) is an optional component. J-Series pumps come with Seal Minder Cap only (Pos#27-3)

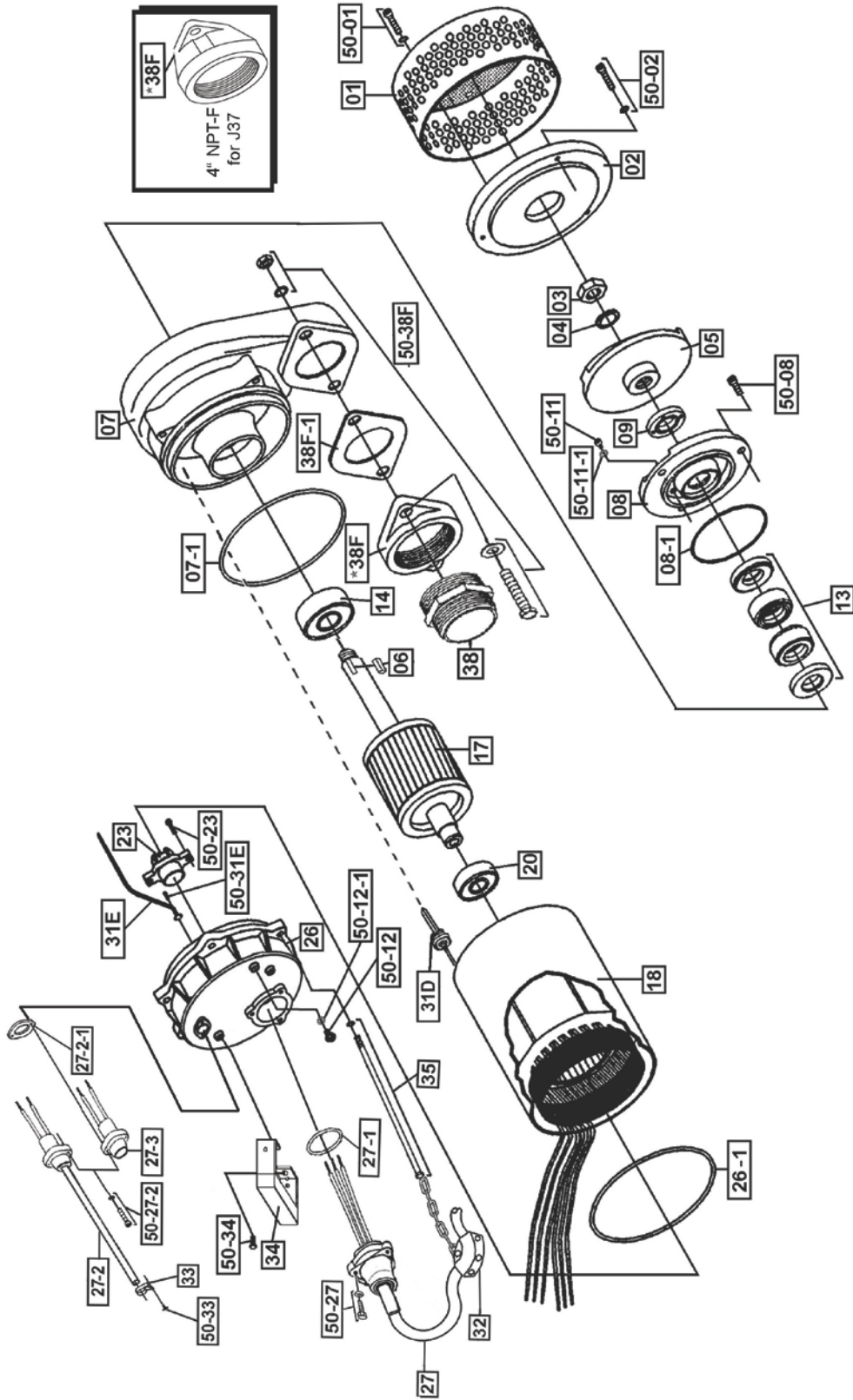


EXPLODED VIEW OF J08, JX08, J15, JX15SS, J15H, JX15HSS



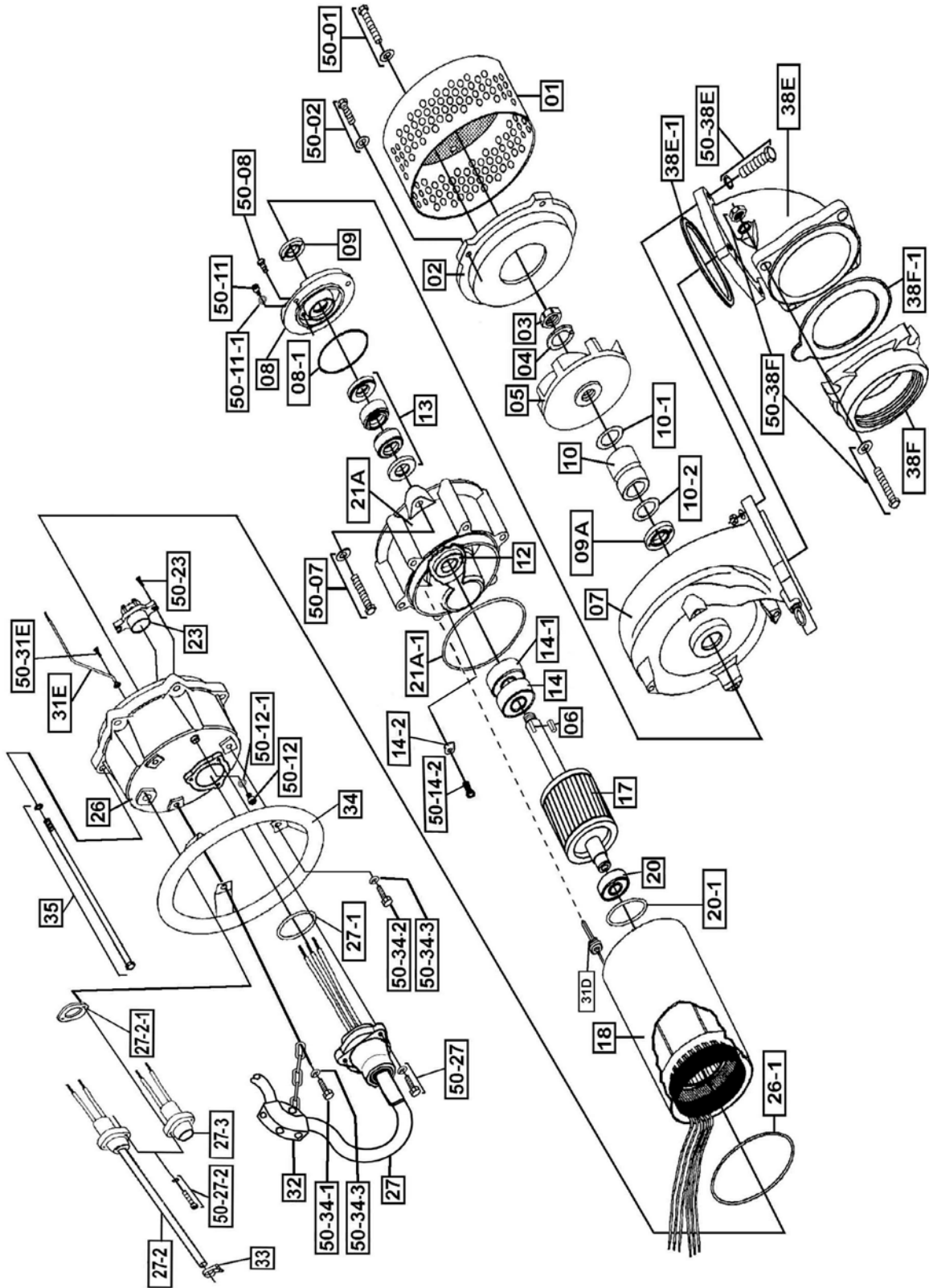


EXPLODED VIEW OF J22, JX22SS, J22H, JX22HSS, J37, JX37SS, J37H, JX37HSS





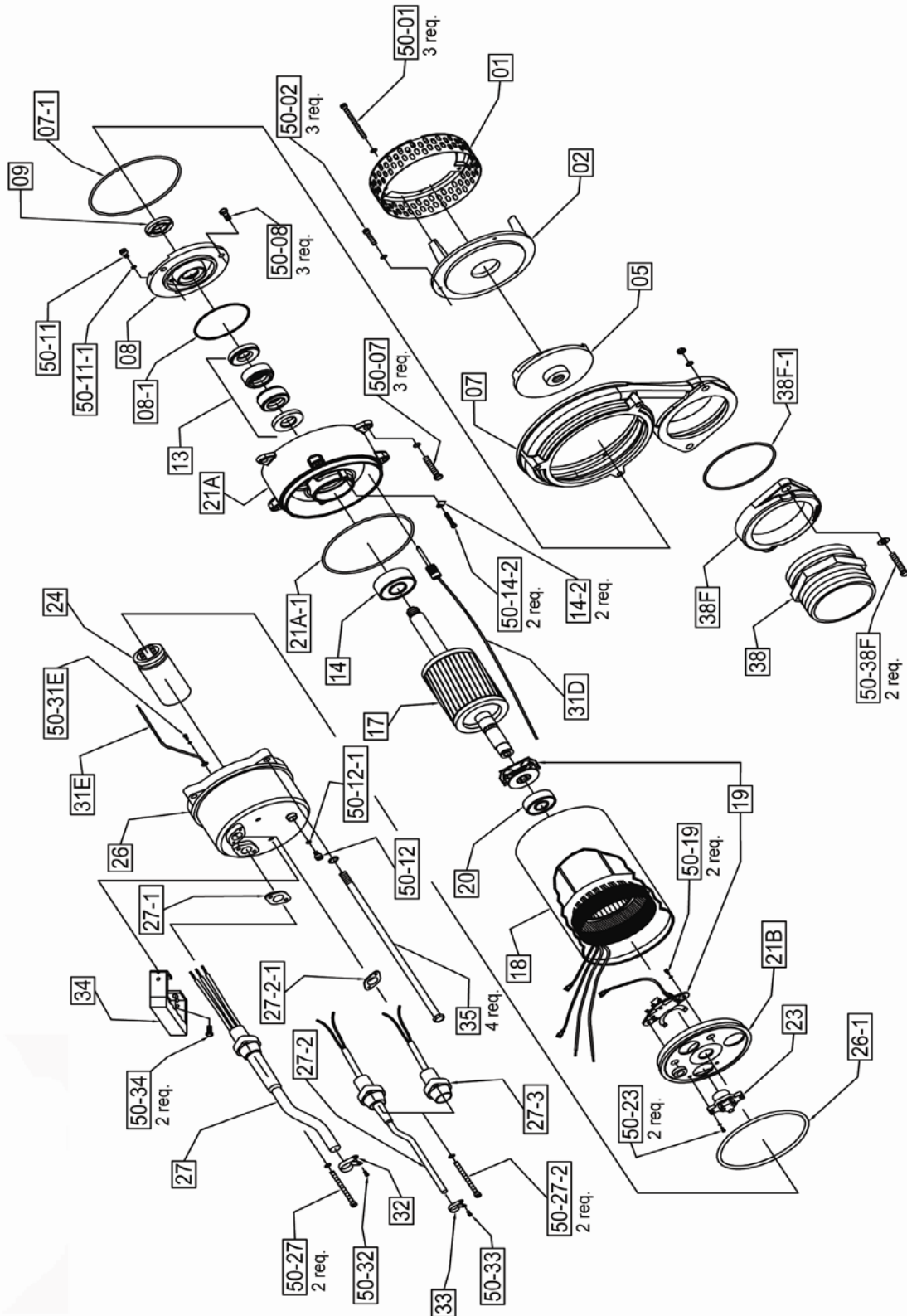
EXPLODED VIEW OF J55C, JX55CSS, J55CH, JX55CHSS, J75C, JX75CSS, J75CH, JX75CHSS





EXPLODED VIEW OF JX750SS, JX1500SS, JX1500HSS (PRECISION CAST MODELS)

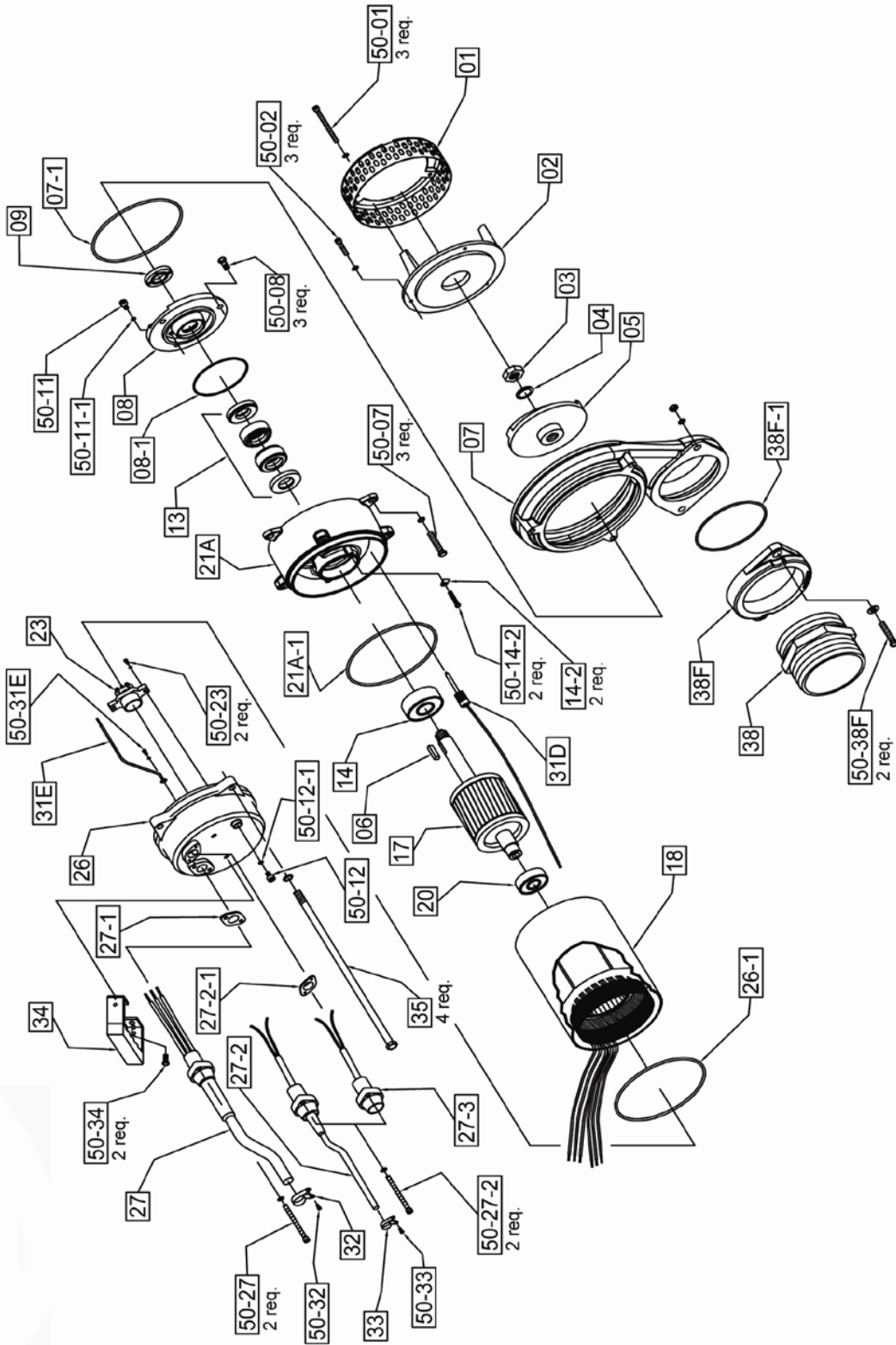
NOTE: Seal Minder (Pos#27-2, 33, 50-33) is an optional component. JX-Series pumps come with Seal Minder Cap only (Pos#27-3)





EXPLODED VIEW OF JX08SS, JX15SS, JX15HSS (PRECISION CAST MODELS)

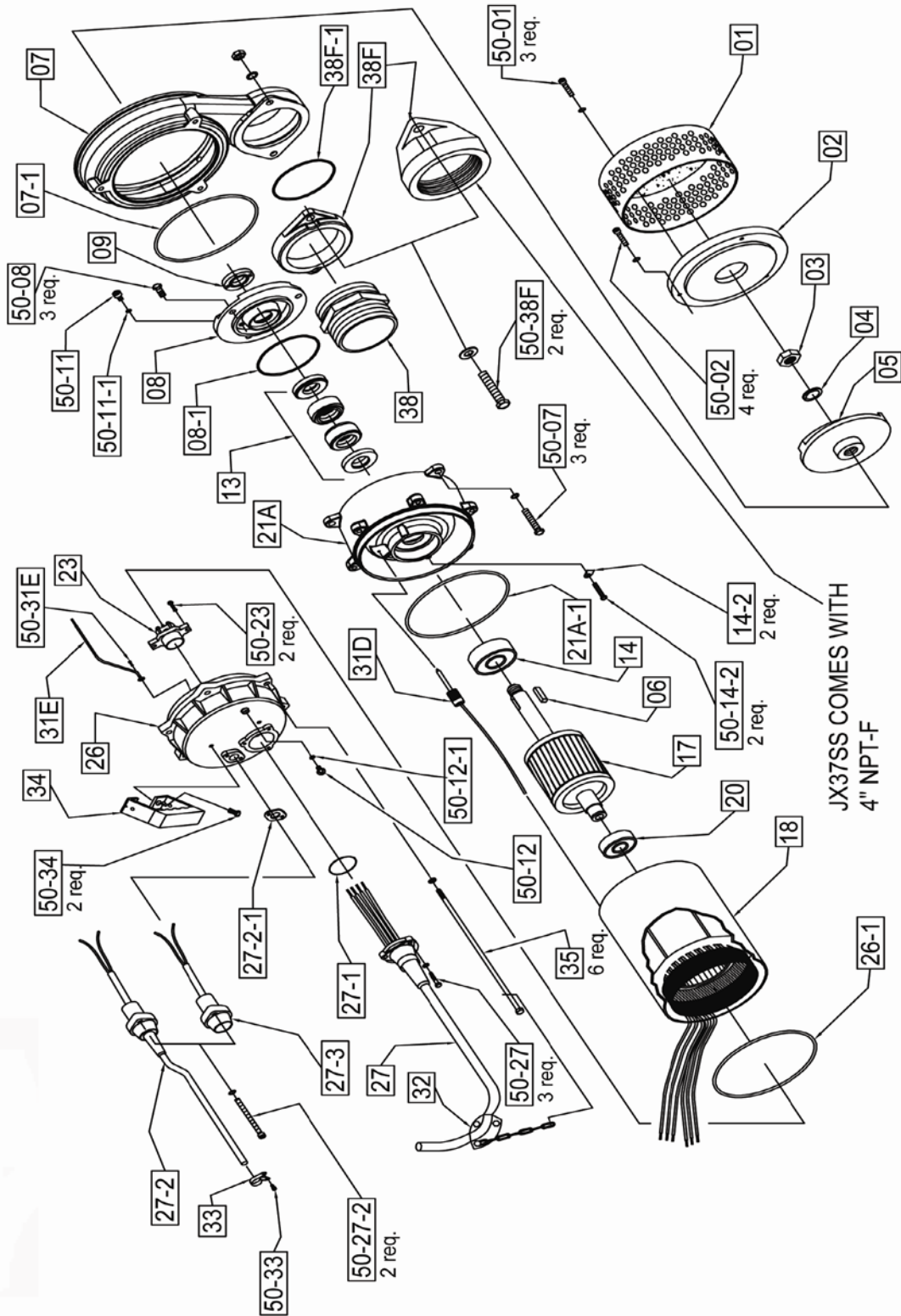
NOTE: Seal Minder (Pos#27-2, 33, 50-33) is an optional component. JX-Series pumps come with Seal Minder Cap only (Pos#27-3)





EXPLODED VIEW OF JX22SS, JX37SS (PRECISION CAST MODELS)

NOTE: Seal Minder (Pos#27-2, 33, 50-33) is an optional component. JX-Series pumps come with Seal Minder Cap only (Pos#27-3)



JX37SS COMES WITH 4" NPT-F

J SERIES PARTS LIST

	Pump Model	J150	J400	J750	J1500	J1500H	J08	J15	J15H	J22	J22H	J37	J37H	J55C	J55CH	J75C	J75CH
Pos. No.	Part Description	Part #	Part #	Part #	Part #	Part #	Part #	Part #	Part #	Part #	Part #	Part #	Part #	Part #	Part #	Part #	Part #
01	Strainer with Bottom Plate	107	100	-	-	-	-	-	-	104	104	104	104	105C	105C	105C	105C
01	Strainer	-	-	103	103	103	103	103	103	-	-	-	-	-	-	-	-
01-2	Bottom Plate	-	-	129	129	129	129	129	129	-	-	-	-	-	-	-	-
02	Suction Cover	-	-	140	140	140	140	140	140	130	130H	130	130H	146C	146CH	146C	146CH
03	Impeller Nut	301	-	-	-	-	305	305	305	305	305	305	305	306C	306C	306C	306C
04	Lock washer	-	-	-	-	-	405C	405C	405C	405C	405C	405C	405C	403C	403C	403C	403C
05	Impeller	503	507-2	526	527	527H	528	529	529H	530	530H	531	531H	532C	532CH	533C	533CH
06	Impeller Key	-	-	-	-	-	602	602	602	602	602	602	602	603	603	603	603
07	Pump Housing	702	709	710B	711B	710B	710B	711B	710B	713B	713B	713B	713B	716C	716C	716C	716C
07 -1	O-Ring (Kit Only)	Kit	Kit	Kit	Kit	Kit	Kit	Kit	Kit	Kit	Kit	Kit	Kit	Kit	Kit	Kit	Kit
08	Oil Chamber Cover	800	800	810	810	810	810	810	810	810	810	810	810	811C	811C	811C	811C
08 -1	O-Ring (Kit Only)	Kit	Kit	Kit	Kit	Kit	Kit	Kit	Kit	Kit	Kit	Kit	Kit	Kit	Kit	Kit	Kit
09	Lip Seal Buna-N	900	900	902	902	902	902	902	902	902	902	902	902	906C	906C	906C	906C
09	Lip Seal FKM (Optional)	901V	901V	903V	903V	903V	903V	903V	903V	903V	903V	903V	903V	910CV	910CV	910CV	910CV
09	Lip Seal EPDM (Optional)	901E	901E	903E	903E	903E	903E	903E	903E	903E	903E	903E	903E	906E	906E	906E	906E
09A	Double Lip Seal Buna-N	-	-	-	-	-	-	-	-	-	-	-	-	921C	921C	921C	921C
09A	Double Lip Seal FKM (Optional)	-	-	-	-	-	-	-	-	-	-	-	-	911CV	911CV	911CV	911CV
09A	Double Lip Seal EPDM (Optional)	-	-	-	-	-	-	-	-	-	-	-	-	911E	911E	911E	911E
10	Shaft Sleeve	1001	1001	-	-	-	-	-	-	-	-	-	-	1000C	1000C	1000C	1000C
10-1	O-Ring (Kit Only)	-	-	-	-	-	-	-	-	-	-	-	-	Kit	Kit	Kit	Kit
10-2	O-Ring (Kit Only)	-	-	-	-	-	-	-	-	-	-	-	-	Kit	Kit	Kit	Kit
12	Lip Seal for Lower Bearing	-	-	-	-	-	-	-	-	-	-	-	-	907C	907C	907C	907C
13	Mechanical Seal Buna-N	1363	1306	200215	200215	200215	200215	200215	200215	200215	200215	200215	200215	200305	200305	200305	200305
13	Mechanical Seal FKM	-	1306V	200214	200214	200214	200214	200214	200214	200214	200214	200214	200214	200304	200304	200304	200304
14	Lower Ball Bearing	1400	1400	1401	1401	1401	1401	1401	1401	1402	1402	1402	1402	1404	1404	1405C	1405C
14-1	Lower Ball Bearing	-	-	-	-	-	-	-	-	-	-	-	-	1404	1404	1405C	1405C
14-2	Lower Bearing Retainer Clip	-	-	-	-	-	-	-	-	-	-	-	-	1453	1453	1453	1453
17	Rotor w/ Shaft 115/230V, 1PH	1701	1704	1705	1706	1706	-	-	-	-	-	-	-	-	-	-	-
17	Rotor w/ Shaft, 3 PH	-	-	-	-	-	1708	1709	1709	1710	1710	1711	1711	1730C	1730C	1731C	1731C
18	Stator w/Casing, 115V, 1PH	-	200509	200511	-	-	-	-	-	-	-	-	-	-	-	-	-
18	Stator w/Casing, 230V, 1PH	-	200521	1826	200514	200514	-	-	-	-	-	-	-	-	-	-	-
18	Stator w/Casing, 208V, 3PH	-	-	-	-	-	200524	200528	200528	200532	200532	200536	200536	200665	200665	-	-
18	Stator w/Casing, 230/460V, 3PH	-	-	-	-	-	200546	200550	200550	200554	200554	200558	200558	200562	200562	200566	200566
18	Stator w/Casing, 575V, 3PH	-	-	-	-	-	200588	200592	200592	200596	200596	200600	200600	200605	200605	200609	200609
19	Governor Switch w/Switch Plate	-	1901	1904	1904	1904	-	-	-	-	-	-	-	-	-	-	-
20	Upper Ball Bearing	2000	1400	2002	2002	2002	2002	2002	2002	2004	2004	2004	2004	2005	2005	2005	2005
20-1	O-Ring (Kit Only)	-	-	-	-	-	-	-	-	-	-	-	-	Kit	Kit	Kit	Kit
21A	Oil Chamber	706	708	-	-	-	-	-	-	-	-	-	-	722B	722B	714B	714B
21A-1	O-Ring (Kit Only)	Kit	Kit	-	-	-	-	-	-	-	-	-	-	Kit	Kit	Kit	Kit
21B	Motor Cover	-	2102	2104	2104	2104	-	-	-	-	-	-	-	-	-	-	-
21B-1	O-Ring (Kit Only)	-	Kit	Kit	Kit	Kit	Kit	Kit	Kit	Kit	Kit	Kit	Kit	Kit	Kit	Kit	Kit
22	Cover Plate Upper	-	2200	-	-	-	-	-	-	-	-	-	-	-	-	-	-
23	Overload 115V, 1PH	-	-	2306	-	-	-	-	-	-	-	-	-	-	-	-	-
23	Overload 230V, 1PH	-	-	2314	2306	2306	-	-	-	-	-	-	-	-	-	-	-
23	Overload 208V, 3PH	-	-	-	-	-	2308A	2310A	2310A	2311A	2311A	2312A	2312A	2313	2313	-	-
23	Overload 230V, 3PH	-	-	-	-	-	2308A	2310A	2310A	2311A	2311A	2312A	2312A	2313	2313	2315	2315
23	Overload 460V, 3PH	-	-	-	-	-	2309	2308B	2308B	2310B	2310B	2311B	2311B	2312B	2312B	2313	2313
23	Overload 575V, 3PH	-	-	-	-	-	2317	2309	2309	2308B	2308B	2310B	2310B	2311B	2311B	2312B	2312B
24	Capacitor 115V	2410	2440	2450	-	-	-	-	-	-	-	-	-	-	-	-	-
24	Capacitor 230V	-	2441	2451	2469	2469	-	-	-	-	-	-	-	-	-	-	-

	Pump Model	J150	J400	J750	J1500	J1500H	J08	J15	J15H	J22	J22H	J37	J37H	J55C	J55CH	J75C	J75CH
Pos. No.	Part Description	Part #	Part #	Part #	Part #	Part #	Part #	Part #	Part #	Part #	Part #	Part #	Part #	Part #	Part #	Part #	Part #
26	Pump Top Cover	2630	2640	2651B	2651B	2651B	2670B	2670B	2670B	2681B	2681B	2681B	2681B	2672B	2672B	2672B	2672B
26-1	O-Ring (Kit Only)	Kit	Kit	Kit	Kit	Kit	Kit	Kit	Kit	Kit	Kit	Kit	Kit	Kit	Kit	Kit	Kit
27	Power Cable w/ Gland-115V, 1PH	2708	2710	2713	-	-	-	-	-	-	-	-	-	-	-	-	-
27	Power Cable w/ Gland-230V, 1PH, No Plug		2710B	2713B	2712B	2712B	-	-	-	-	-	-	-	-	-	-	-
27	Power Cable w/ Gland- 3PH	-	-	-	-	-	2722	2722	2722	2725	2725	2726	2726	2731	2731	2731	2731
27-1	O-Ring (Kit Only)	Kit	Kit	Kit	Kit	Kit	Kit	Kit	Kit	Kit	Kit	Kit	Kit	Kit	Kit	Kit	Kit
27-2	Oil Sensor Cable	-	-	2736	2736	2736	2736	2736	2736	2736	2736	2736	2736	2736	2736	2736	2736
27-2-1	O-Ring (Kit Only)	-	-	Kit	Kit	Kit	Kit	Kit	Kit	Kit	Kit	Kit	Kit	Kit	Kit	Kit	Kit
27-3	Oil Sensor Cap	-	-	2738	2738	2738	2738	2738	2738	2738	2738	2738	2738	2738	2738	2738	2738
31D	Oil Sensor w/Wire	-	-	2332	2332	2332	2332	2332	2332	2332	2332	2332	2332	2332	2332	2332	2332
31E	Ground Wire w/Ring Term.	2776	2776	2776	2776	2776	2776	2776	2776	2776	2776	2776	2776	2776	2776	2776	2776
32	Power Cord Line Clip / Strain Relief	-	3200	3200	3200	3200	3200	3200	3200	3208	3208	3208	3208	3208	3208	3208	3208
33	Oil Sensor Cord Line Clip	-	-	3203	3203	3203	3203	3203	3203	3203	3203	3203	3203	3203	3203	3203	3203
34	Handle	3400	3420	3420	3420	3420	3420	3420	3420	3420	3420	3420	3420	3422	3422	3422	3422
35	Holding Rods	-	4101	4103	4104	4104	4105	4106	4106	4107	4107	4108	4108	4109	4109	4110	4110
38	Discharge Nipple	-	3802	3802	3804	3802	3802	3804	3802	3804	3802	3804	3802	-	-	-	-
38E	Discharge Elbow	-	-	-	-	-	-	-	-	-	-	-	-	3821C	3821C	3821C	3821C
38E-1	Gasket Discharge Elbow Buna-N	-	-	-	-	-	-	-	-	-	-	-	-	4073	4073	4073	4073
38E-1	Gasket Discharge Elbow Viton (Optional)	-	-	-	-	-	-	-	-	-	-	-	-	4073V	4073V	4073V	4073V
38F	Discharge Flange	-	-	-	-	-	-	-	-	3810	3809A	3810	3809A	3806C	3806CH	3806C	3806C
38F	Discharge Connection 4" FNPT	-	-	-	-	-	-	-	-	3816C	-	3816C	-	-	-	-	-
38F-1	Gasket -Discharge Flange Buna-N	-	-	-	-	-	-	-	-	4071	4071	4071	4071	4073	4073	4073	4073
38F-1	Gasket - Discharge Flange Viton (Optional)	-	-	-	-	-	-	-	-	4071V	4071V	4071V	4071V	4073V	4073V	4073V	4073V
50-01	Bolt - Strainer/Stand	5019	5005	5024	5024	5024	5024	5024	5024	5016	5016	5016	5016	5014	5014	5014	5014
50-02	Screw	-	-	5004	5004	5004	5004	5004	5004	5013	5013	5013	5013	5014	5014	5014	5014
50-07	Screw	5007	5004	-	-	-	-	-	-	-	-	-	-	5014	5014	5014	5014
50-08	Screw	5019	5003	5009	5009	5009	5009	5009	5009	5009	5009	5009	5009	5034	5034	5034	5034
50-11	Screw	5008	5008	5008	5008	5008	5008	5008	5008	5008	5008	5008	5008	5008	5008	5008	5008
50-11-1	O-Ring (Kit Only)	Kit	Kit	Kit	Kit	Kit	Kit	Kit	Kit	Kit	Kit	Kit	Kit	Kit	Kit	Kit	Kit
50-12	Screw	-	5008	5008	5008	5008	5008	5008	5008	5008	5008	5008	5008	5008	5008	5008	5008
50-12-1	O-Ring (Kit Only)	-	Kit	Kit	Kit	Kit	Kit	Kit	Kit	Kit	Kit	Kit	Kit	Kit	Kit	Kit	Kit
50-14-2	Screw	-	-	-	-	-	-	-	-	-	-	-	-	5009	5009	5009	5009
50-19A	Screw	-	5003	-	-	-	-	-	-	-	-	-	-	-	-	-	-
50-19	Screw	-	5002	5002	5002	5002	-	-	-	-	-	-	-	-	-	-	-
50-21A	Screw	5044	-	-	-	-	-	-	-	-	-	-	-	-	-	-	-
50-22	Screw	-	5000	-	-	-	-	-	-	-	-	-	-	-	-	-	-
50-23	Screw	-	-	5028	5028	5028	5028	5028	5028	5028	5028	5028	5028	5028	5028	5028	5028
50-26	Acorn Nut and Washer	5029	-	-	-	-	-	-	-	-	-	-	-	-	-	-	-
50-27	Screw	5017	5004	5004	5004	5004	5004	5004	5004	5034	5034	5034	5034	5034	5034	5034	5034
50-27-2	Screw	-	-	5004	5004	5004	5004	5004	5004	5004	5004	5004	5004	5004	5004	5004	5004
50-31E	Screw	5000	5000	5000	5000	5000	5000	5000	5000	5000	5000	5000	5000	5000	5000	5000	5000
50-32	Screw	-	5001	5001	5001	5001	5001	5001	5001	-	-	-	-	-	-	-	-
50-33	Screw	-	5001	5001	5001	5001	5001	5001	5001	5001	5001	5001	5001	5001	5001	5001	5001
50-34	Screw	-	5009	5009	5009	5009	5009	5009	5009	5009	5009	5009	5009	-	-	-	-
50-34-1	Screw for Handle w/ Cable Chain	-	-	-	-	-	-	-	-	-	-	-	-	5013	5013	5013	5013
50-34-2	Screw for Handle	-	-	-	-	-	-	-	-	-	-	-	-	5082	5082	5082	5082
50-34-3	Lock Washer	-	-	-	-	-	-	-	-	-	-	-	-	402	402	402	402
50-38E	Bolt - Discharge Elbow	-	-	-	-	-	-	-	-	-	-	-	-	5081	5081	5081	5081
50-38F	Bolt - Discharge Flange	-	-	-	-	-	-	-	-	5041	5041	5041	5041	5081	5081	5081	5081
O-Ring Kit-Buna N		4009	4020	4030	4030	4030	4041	4041	4041	4042	4042	4042	4042	4043	4043	4043	4043
O-Ring Kit-FKM (Optional)		-	4021V	4031V	4031V	4031V	4046V	4046V	4046V	4044V	4044V	4044V	4044V	4045V	4045V	4045V	4045V

JX SERIES PARTS LIST

	Pump Model	JX400	JX750	JX1500	JX1500H	JX08	JX15	JX15H	JX22	JX22H	JX37	JX37H	JX55C	JX55CH	JX75C	JX75CH
Pos. No.	Part Description	Part #	Part #	Part #	Part #	Part #	Part #	Part #	Part #	Part #	Part #	Part #	Part #	Part #	Part #	Part #
01	Strainer with Bottom Plate	100X	-	-	-	-	-	-	104X	104X	104X	104X	105CX	105CX	105CX	105CX
01	Strainer	-	103X	103X	103X	103X	103X	103X	-	-	-	-	-	-	-	-
01-2	Bottom Plate	-	129X	129X	129X	129X	129X	129X	-	-	-	-	-	-	-	-
02	Suction Cover	-	140X	140X	140X	140X	140X	140X	130X	130HX	130X	130HX	146CX	146CHX	146CX	146CHX
03	Impeller Nut	-	-	-	-	305	305	305	305	305	305	305	306C	306C	306C	306C
04	Lock washer	-	-	-	-	405C	405C	405C	405C	405C	405C	405C	403C	403C	403C	403C
05	Impeller	507X-2	526X	527X	527HX	528X	529X	529HX	530X	530HX	531X	531HX	532CX	532CHX	533CX	533CHX
06	Impeller Key	-	-	-	-	602	602	602	602	602	602	602	603	603	603	603
07	Pump Housing	709X	710BX	711BX	710BX	710BX	711BX	710BX	713BX	713BX	713BX	713BX	716CX	716CX	716CX	716CX
07 -1	O-Ring (Kit Only)	Kit	Kit	Kit	Kit	Kit	Kit	Kit	Kit	Kit	Kit	Kit	Kit	Kit	Kit	Kit
08	Oil Chamber Cover	800X	810X	810X	810X	810X	810X	810X	810X	810X	810X	810X	811CX	811CX	811CX	811CX
08 -1	O-Ring (Kit Only)	Kit	Kit	Kit	Kit	Kit	Kit	Kit	Kit	Kit	Kit	Kit	Kit	Kit	Kit	Kit
09	Lip Seal FKM	901V	903V	903V	903V	903V	903V	903V	903V	903V	903V	903V	910CV	910CV	910CV	910CV
09	Lip Seal Buna-N (Optional)	900	902	902	902	902	902	902	902	902	902	902	906C	906C	906C	906C
09	Lip Seal EPDM (Optional)	901E	903E	903E	903E	903E	903E	903E	903E	903E	903E	903E	906E	906E	906E	906E
09A	Double Lip Seal FKM	-	-	-	-	-	-	-	-	-	-	-	911CV	911CV	911CV	911CV
09A	Double Lip Seal Buna-N (Optional)	-	-	-	-	-	-	-	-	-	-	-	921C	921C	921C	921C
09A	Double Lip Seal EPDM (Optional)	-	-	-	-	-	-	-	-	-	-	-	911E	911E	911E	911E
10	Shaft Sleeve	1001	-	-	-	-	-	-	-	-	-	-	1000CX	1000CX	1000CX	1000CX
10-1	O-Ring (Kit Only)	-	-	-	-	-	-	-	-	-	-	-	Kit	Kit	Kit	Kit
10-2	O-Ring (Kit Only)	-	-	-	-	-	-	-	-	-	-	-	Kit	Kit	Kit	Kit
12	Lip Seal for Lower Bearing	-	-	-	-	-	-	-	-	-	-	-	907C	907C	907C	907C
13	Mechanical Seal FKM	1306V	200214	200214	200214	200214	200214	200214	200214	200214	200214	200214	200304	200304	200304	200304
13	Mechanical Seal Buna-N	1306	200215	200215	200215	200215	200215	200215	200215	200215	200215	200215	200305	200305	200305	200305
14	Lower Ball Bearing	1400	1401	1401	1401	1401	1401	1401	1402	1402	1402	1402	1404	1404	1405C	1405C
14-1	Lower Ball Bearing	-	-	-	-	-	-	-	-	-	-	-	1404	1404	1405C	1405C
14-2	Lower Bearing Retainer Clip	-	-	-	-	-	-	-	-	-	-	-	1453	1453	1453	1453
17	Rotor w/ Shaft 115/230V, 1PH	1704X	1705X	1706X	1706X	-	-	-	-	-	-	-	-	-	-	-
17	Rotor w/ Shaft, 3 PH	-	-	-	-	1708X	1709X	1709X	1710X	1710X	1711X	1711X	1730CX	1730CX	1731CX	1731CX
18	Stator w/Casing, 115V, 1PH	200510	200513	-	-	-	-	-	-	-	-	-	-	-	-	-
18	Stator w/Casing, 230V, 1PH	200522	200571	200516	200516	-	-	-	-	-	-	-	-	-	-	-
18	Stator w/Casing, 208V, 3PH	-	-	-	-	200526	200530	200530	200534	200534	200538	200538	200667	200667	-	-
18	Stator w/Casing, 230/460V, 3PH	-	-	-	-	200548	200552	200552	200556	200556	200560	200560	200564	200564	200568	200568
18	Stator w/Casing, 575V, 3PH	-	-	-	-	200590	200594	200594	200598	200598	200602	200602	200607	200607	200611	200611
19	Governor Switch w/Switch Plate	1901	1904	1904	1904	-	-	-	-	-	-	-	-	-	-	-
20	Upper Ball Bearing	1400	2002	2002	2002	2002	2002	2002	2004	2004	2004	2004	2005	2005	2005	2005
20-1	O-Ring (Kit Only)	-	-	-	-	-	-	-	-	-	-	-	Kit	Kit	Kit	Kit
21A	Oil Chamber	708X	-	-	-	-	-	-	-	-	-	-	722BX	722BX	714BX	714BX
21A-1	O-Ring (Kit Only)	Kit	-	-	-	-	-	-	-	-	-	-	Kit	Kit	Kit	Kit
21B	Motor Cover	2102	2104	2104	2104	-	-	-	-	-	-	-	-	-	-	-
21B-1	O-Ring (Kit Only)	Kit	Kit	Kit	Kit	Kit	Kit	Kit	Kit	Kit	Kit	Kit	Kit	Kit	Kit	Kit
22	Cover Plate Upper	2200	-	-	-	-	-	-	-	-	-	-	-	-	-	-
23	Overload 115V, 1PH	-	2306	-	-	-	-	-	-	-	-	-	-	-	-	-
23	Overload 230V, 1PH	-	2314	2306	2306	-	-	-	-	-	-	-	-	-	-	-
23	Overload 208V, 3PH	-	-	-	-	2308A	2310A	2310A	2311A	2311A	2312A	2312A	2313	2313	-	-
23	Overload 230V, 3PH	-	-	-	-	2308A	2310A	2310A	2311A	2311A	2312A	2312A	2313	2313	2315	2315
23	Overload 460V, 3PH	-	-	-	-	2309	2308B	2308B	2310B	2310B	2311B	2311B	2312B	2312B	2313	2313
23	Overload 575V, 3PH	-	-	-	-	2317	2309	2309	2308B	2308B	2310B	2310B	2311B	2311B	2312B	2312B
24	Capacitor 115V	2440	2450	-	-	-	-	-	-	-	-	-	-	-	-	-
24	Capacitor 230V	2441	2451	2469	2469	-	-	-	-	-	-	-	-	-	-	-

	Pump Model	JX400	JX750	JX1500	JX1500H	JX08	JX15	JX15H	JX22	JX22H	JX37	JX37H	JX55C	JX55CH	JX75C	JX75CH
Pos. No.	Part Description	Part #	Part #	Part #	Part #	Part #	Part #	Part #	Part #	Part #	Part #	Part #	Part #	Part #	Part #	Part #
26	Pump Top Cover	2640X	2651BX	2651BX	2651BX	2670BX	2670BX	2670BX	2681BX	2681BX	2681BX	2681BX	2672BX	2672BX	2672BX	2672BX
26-1	O-Ring (Kit Only)	Kit	Kit	Kit	Kit	Kit	Kit	Kit	Kit	Kit	Kit	Kit	Kit	Kit	Kit	Kit
27	Power Cable w/ Gland-115V, 1PH	2710X	2713X	-	-	-	-	-	-	-	-	-	-	-	-	-
27	Power Cable w/ Gland-230V, 1PH, No Plug	2710BX	2713BX	2712BX	2712BX	-	-	-	-	-	-	-	-	-	-	-
27	Power Cable w/ Gland- 3PH	-	-	-	-	2722X	2722X	2722X	2725X	2725X	2726X	2726X	2731X	2731X	2731X	2731X
27-1	O-Ring (Kit Only)	Kit	Kit	Kit	Kit	Kit	Kit	Kit	Kit	Kit	Kit	Kit	Kit	Kit	Kit	Kit
27-2	Oil Sensor Cable	-	2736X	2736X	2736X	2736X	2736X	2736X	2736X	2736X	2736X	2736X	2736X	2736X	2736X	2736X
27-2-1	O-Ring (Kit Only)	-	Kit	Kit	Kit	Kit	Kit	Kit	Kit	Kit	Kit	Kit	Kit	Kit	Kit	Kit
27-3	Oil Sensor Cap	-	2738X	2738X	2738X	2738X	2738X	2738X	2738X	2738X	2738X	2738X	2738X	2738X	2738X	2738X
31D	Oil Sensor w/Wire	-	2332	2332	2332	2332	2332	2332	2332	2332	2332	2332	2332	2332	2332	2332
31E	Ground Wire w/Ring Term.	2776	2776	2776	2776	2776	2776	2776	2776	2776	2776	2776	2776	2776	2776	2776
32	Power Cord Line Clip / Strain Relief	3200	3200	3200	3200	3200	3200	3200	3200	3200	3200	3200	3208	3208	3208	3208
33	Oil Sensor Cord Line Clip	-	3203	3203	3203	3203	3203	3203	3203	3203	3203	3203	3203	3203	3203	3203
34	Handle	3420	3420	3420	3420	3420	3420	3420	3420	3420	3420	3420	3422	3422	3422	3422
35	Holding Rods	4101	4103	4104	4104	4105	4106	4106	4107	4107	4108	4108	4109	4109	4110	4110
38	Discharge Nipple	3802X	3802X	3804X	3802X	3802X	3804X	3802X	3804X	3802X	3804X	3802X	-	-	-	-
38E	Discharge Elbow	-	-	-	-	-	-	-	-	-	-	-	3821CX	3821CX	3821CX	3821CX
38E-1	Gasket Discharge Elbow FKM	-	-	-	-	-	-	-	-	-	-	-	4073V	4073V	4073V	4073V
38E-1	Gasket Discharge Elbow Buna-N (Optional)	-	-	-	-	-	-	-	-	-	-	-	4073	4073	4073	4073
38F	Discharge Flange	-	-	-	-	-	-	-	3810X	3809X	3810X	3809X	3806CX	3806CHX	3806CX	3806CX
38F	Discharge Connection 4" FNPT	-	-	-	-	-	-	-	3816CX	-	3816C	-	-	-	-	-
38F-1	Gasket - Discharge Flange FKM	-	-	-	-	-	-	-	4071V	4071V	4071V	4071V	4073V	4073V	4073V	4073V
38F-1	Gasket - Discharge Flange Buna-N (Optional)	-	-	-	-	-	-	-	4071	4071	4071	4071	4073	4073	4073	4073
50-01	Bolt - Strainer/Stand	5005	5024	5024	5024	5024	5024	5024	5016	5016	5016	5016	5014	5014	5014	5014
50-02	Screw	-	5004	5004	5004	5004	5004	5004	5013	5013	5013	5013	5014	5014	5014	5014
50-07	Screw	5004	-	-	-	-	-	-	-	-	-	-	5014	5014	5014	5014
50-08	Screw	5003	5009	5009	5009	5009	5009	5009	5009	5009	5009	5009	5034	5034	5034	5034
50-11	Screw	5008	5008	5008	5008	5008	5008	5008	5008	5008	5008	5008	5008	5008	5008	5008
50-11-1	O-Ring (Kit Only)	Kit	Kit	Kit	Kit	Kit	Kit	Kit	Kit	Kit	Kit	Kit	Kit	Kit	Kit	Kit
50-12	Screw	5008	5008	5008	5008	5008	5008	5008	5008	5008	5008	5008	5008	5008	5008	5008
50-12-1	O-Ring (Kit Only)	Kit	Kit	Kit	Kit	Kit	Kit	Kit	Kit	Kit	Kit	Kit	Kit	Kit	Kit	Kit
50-14-2	Screw	-	-	-	-	-	-	-	-	-	-	-	5009	5009	5009	5009
50-19A	Screw	5003	-	-	-	-	-	-	-	-	-	-	-	-	-	-
50-19	Screw	5002	5002	5002	5002	-	-	-	-	-	-	-	-	-	-	-
50-22	Screw	5000	-	-	-	-	-	-	-	-	-	-	-	-	-	-
50-23	Screw	-	5028	5028	5028	5028	5028	5028	5028	5028	5028	5028	5028	5028	5028	5028
50-27	Screw	5004	5004	5004	5004	5004	5004	5004	5034	5034	5034	5034	5034	5034	5034	5034
50-27-2	Screw	-	5004	5004	5004	5004	5004	5004	5004	5004	5004	5004	5004	5004	5004	5004
50-31E	Screw	5000	5000	5000	5000	5000	5000	5000	5000	5000	5000	5000	5000	5000	5000	5000
50-32	Screw	-	5001	5001	5001	5001	5001	5001	-	-	-	-	-	-	-	-
50-33	Screw	5001	5001	5001	5001	5001	5001	5001	5001	5001	5001	5001	-	-	-	-
50-34	Screw	5009	5009	5009	5009	5009	5009	5009	5009	5009	5009	5009	-	-	-	-
50-34-1	Screw for Handle w/ Cable Chain	-	-	-	-	-	-	-	-	-	-	-	5013	5013	5013	5013
50-34-2	Screw for Handle	-	-	-	-	-	-	-	-	-	-	-	5082	5082	5082	5082
50-34-3	Lock Washer	-	-	-	-	-	-	-	-	-	-	-	402	402	402	402
50-38E	Bolt - Discharge Elbow	-	-	-	-	-	-	-	-	-	-	-	5081	5081	5081	5081
50-38F	Bolt - Discharge Flange	-	-	-	-	-	-	-	5041	5041	5041	5041	5081	5081	5081	5081
	O-Ring Kit-FKM	4021V	4031V	4031V	4031V	4046V	4046V	4046V	4044V	4044V	4044V	4044V	4045V	4045V	4045V	4045V
	O-Ring Kit-Buna (Optional)	4020	4030	4030	4030	4041	4041	4041	4042	4042	4042	4042	4043	4043	4043	4043

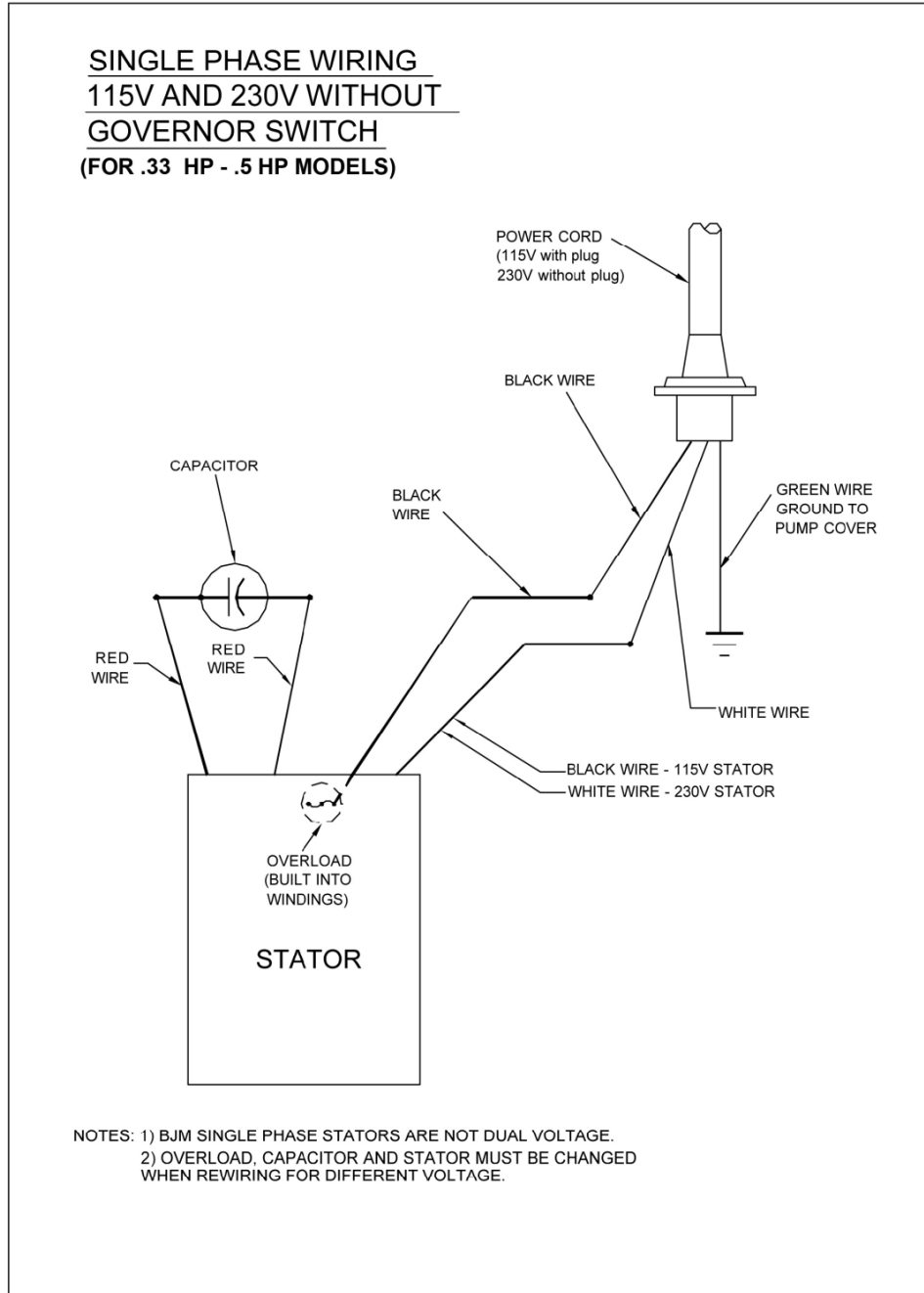
JX PRECISION CAST PARTS LIST

	Pump Model	JX750	JX1500	JX1500H	JX08	JX15	JX15H	JX22	JX22H	JX37	JX37H
Pos. No.	Part Description	Part #	Part #	Part #	Part #	Part #	Part #	Part #	Part #	Part #	Part #
01	Strainer with Bottom Plate	103BX	103BX	103BX	103BX	103BX	103BX	104BX	104BX	104BX	104BX
02	Suction Cover	140BX	140CX	140BX	140BX	140CX	140BX	130BX	130HBX	130BX	130HBX
03	Impeller Nut	-	-	-	305	305	305	305	305	305	305
04	Lock washer	-	-	-	405C	405C	405C	405C	405C	405C	405C
05	Impeller	526BX	527BX	527HBX	528BX	529BX	529HBX	530BX	530HBX	531BX	531HBX
06	Impeller Key	-	-	-	602	602	602	602	602	602	602
07	Pump Housing	710PX	711PX	710PX	710PX	711PX	710PX	713PX	713PX	713PX	713PX
07 -1	O-Ring (Kit Only)	Kit	Kit	Kit	Kit	Kit	Kit	Kit	Kit	Kit	Kit
08	Oil Chamber Cover	810PX	810PX	810PX	810PX	810PX	810PX	822PX	822PX	822PX	822PX
08 -1	O-Ring (Kit Only)	Kit	Kit	Kit	Kit	Kit	Kit	Kit	Kit	Kit	Kit
09	Lip Seal FKM	903CV	903CV	903CV	903CV	903CV	903CV	905CV	905CV	905CV	905CV
09	Lip Seal Buna-N (Optional)	902C	902C	902C	902C	902C	902C	904C	904C	904C	904C
13	Mechanical Seal FKM	200214	200214	200214	200214	200214	200214	200301	200301	200301	200301
13	Mechanical Seal Buna-N	200215	200215	200215	200215	200215	200215	200302	200302	200302	200302
14	Lower Ball Bearing	1401	1401	1401	1401	1401	1401	1402	1402	1402	1402
14-2	Lower Bearing Retainer Clip	1453	1453	1453	1453	1453	1453	1453	1453	1453	1453
17	Rotor w/ Shaft, 1PH	1705CX	1706CX	1706CX	-	-	-	-	-	-	-
17	Rotor w/ Shaft, 3 PH	-	-	-	1708CX	1709CX	1709CX	1710CX	1710CX	1711CX	1711CX
18	Stator w/Casing, 115V, 1HP	200513	-	-	-	-	-	-	-	-	-
18	Stator w/Casing, 230V, 1PH	200571	200516	200516	-	-	-	-	-	-	-
18	Stator w/Casing, 208V, 3PH	-	-	-	200526	200530	200530	200534	200534	200538	200538
18	Stator w/Casing, 230/460V,3PH	-	-	-	200548	200552	200552	200556	200556	200560	200560
18	Stator w/Casing, 575V, 3PH	-	-	-	200590	200594	200594	200598	200598	200602	200602
19	Governor Switch w/Switch Plate	1904	1904	1904	-	-	-	-	-	-	-
20	Upper Ball Bearing	2002	2002	2002	2002	2002	2002	2004	2004	2004	2004
21A	Oil Chamber	752PX	752PX	752PX	752PX	752PX	752PX	753PX	753PX	753PX	753PX
21A-1	O-Ring (Kit Only)	Kit	Kit	Kit	Kit	Kit	Kit	Kit	Kit	Kit	Kit
21B	Motor Cover	2104	2104	2104	-	-	-	-	-	-	-
21B-1	O-Ring (Kit Only)	Kit	Kit	Kit	Kit	Kit	Kit	Kit	Kit	Kit	Kit
23	Overload 115V, 1PH	2306	-	-	-	-	-	-	-	-	-
23	Overload 230V,1PH	2314	2306	2306	-	-	-	-	-	-	-
23	Overload 208V, 3PH	-	-	-	2308A	2310A	2310A	2311A	2311A	2312A	2312A
23	Overload 230V,3PH	-	-	-	2308A	2310A	2310A	2311A	2311A	2312A	2312A
23	Overload 460V,3PH	-	-	-	2309	2308B	2308B	2310B	2310B	2311B	2311B
23	Overload 575V, 3PH	-	-	-	2317	2309	2309	2308B	2308B	2310B	2310B
24	Capacitor 115V	2450	-	-	-	-	-	-	-	-	-
24	Capacitor 230V	2451	2469	2469	-	-	-	-	-	-	-

	Pump Model	JX750	JX1500	JX1500H	JX08	JX15	JX15H	JX22	JX22H	JX37	JX37H
Pos. No.	Part Description	Part #	Part #	Part #	Part #	Part #	Part #	Part #	Part #	Part #	Part #
26	Pump Top Cover	2651BX	2651BX	2651BX	2670BX	2670BX	2670BX	2671PX	2671PX	2671PX	2671PX
26-1	O-Ring (Kit Only)	Kit	Kit	Kit	Kit	Kit	Kit	Kit	Kit	Kit	Kit
27	Power Cable w/ Gland-115V, 1PH	2713X	-	-	-	-	-	-	-	-	-
27	Power Cable w/ Gland-230V, 1PH, No Plug	2713BX	2712BX	2712BX	-	-	-	-	-	-	-
27	Power Cable w/ Gland- 3PH	-	-	-	2722X	2722X	2722X	2725X	2725X	2726X	2726X
27-1	O-Ring (Kit Only)	Kit	Kit	Kit	Kit	Kit	Kit	Kit	Kit	Kit	Kit
27-2	Oil Sensor Cable	2736X	2736X	2736X	2736X	2736X	2736X	2736X	2736X	2736X	2736X
27-2-1	O-Ring (Kit Only)	Kit	Kit	Kit	Kit	Kit	Kit	Kit	Kit	Kit	Kit
27-3	Oil Sensor Cap	2738X	2738X	2738X	2738X	2738X	2738X	2738X	2738X	2738X	2738X
31D	Oil Sensor w/Wire	2330	2330	2330	2330	2330	2330	2330	2330	2330	2330
31E	Ground Wire w/Ring Term.	2776	2776	2776	2776	2776	2776	2776	2776	2776	2776
32	Power Cord Line Clip / Strain Relief	3213	3213	3213	3200	3200	3200	3216	3216	3217	3217
33	Oil Sensor Cord Line Clip	3203	3203	3203	3203	3203	3203	3203	3203	3203	3203
34	Handle	3420	3420	3420	3420	3420	3420	3420	3420	3420	3420
35	Holding Rods	4118	4119	4119	4120	4121	4121	4122	4122	4123	4123
38	Discharge Nipple	3802X	3804X	3802X	3802X	3804X	3802X	3804X	3802X	3804X	3802X
38F	Discharge Flange	3822PX	3810PX	3822PX	3822PX	3810PX	3822PX	3810PX	3809AX	3810PX	3809AX
38F	Discharge Connection 4" NPT-F	-	-	-	-	-	-	3816PX	-	3816PX	-
38F-1	O-Ring - Discharge Flange FKM	5125V	5126V	5125V	5125V	5126V	5125V	5126V	5126V	5126V	5126V
38F-1	O-Ring - Discharge 4" NPT-F FKM	-	-	-	-	-	-	5129V	-	5129V	-
50-01	Screw	5003	5003	5003	5003	5003	5003	5098	5098	5098	5098
50-02	Screw	5004	5004	5004	5004	5004	5004	5010	5010	5010	5010
50-07	Screw	5097	5097	5097	5097	5097	5097	5097	5097	5097	5097
50-08	Screw	5009	5009	5009	5009	5009	5009	5009	5009	5009	5009
50-11	Screw	5008	5008	5008	5008	5008	5008	5008	5008	5008	5008
50-11-1	O-Ring (Kit Only)	Kit	Kit	Kit	Kit	Kit	Kit	Kit	Kit	Kit	Kit
50-12	Screw	5008	5008	5008	5008	5008	5008	5008	5008	5008	5008
50-12-1	O-Ring (Kit Only)	Kit	Kit	Kit	Kit	Kit	Kit	Kit	Kit	Kit	Kit
50-14-2	Screw	5009	5009	5009	5009	5009	5009	5009	5009	5009	5009
50-19	Screw	5002	5002	5002	-	-	-	-	-	-	-
50-23	Screw	5028	5028	5028	5028	5028	5028	5028	5028	5028	5028
50-27	Screw	5095	5095	5095	5095	5095	5095	5034	5034	5034	5034
50-27-2	Screw	5095	5095	5095	5095	5095	5095	5095	5095	5095	5095
50-31E	Screw	5000	5000	5000	5000	5000	5000	5000	5000	5000	5000
50-32	Screw	5001	5001	5001	5001	5001	5001	-	-	-	-
50-33	Screw	5001	5001	5001	5001	5001	5001	5001	5001	5001	5001
50-34	Screw	5009	5009	5009	5009	5009	5009	5097	5097	5097	5097
50-38F	Bolt - Discharge Flange	5014	5093	5014	5014	5093	5014	5093	5093	5093	5093
O-Ring Kit-FKM		4031PV	4031PV	4031PV	4046PV	4046PV	4046PV	4044PV	4044PV	4044PV	4044PV
O-Ring Kit-Buna (Optional)		-	-	-	-	-	-	-	-	-	-



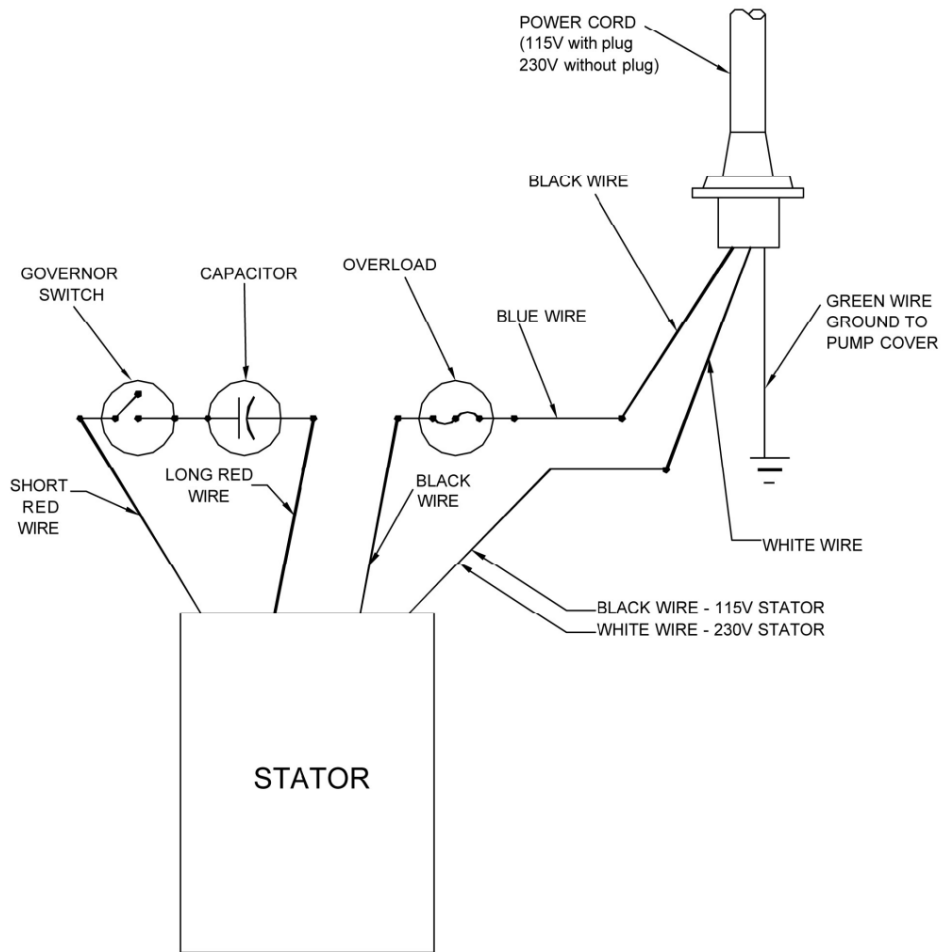
SINGLE PHASE WIRING DIAGRAM 115V & 230V W/O GOVERNOR SWITCH



MODELS J400, JX400SS



SINGLE PHASE WIRING
115V AND 230V WITH
GOVERNOR SWITCH
(FOR 1 HP - 2.5 HP MODELS)

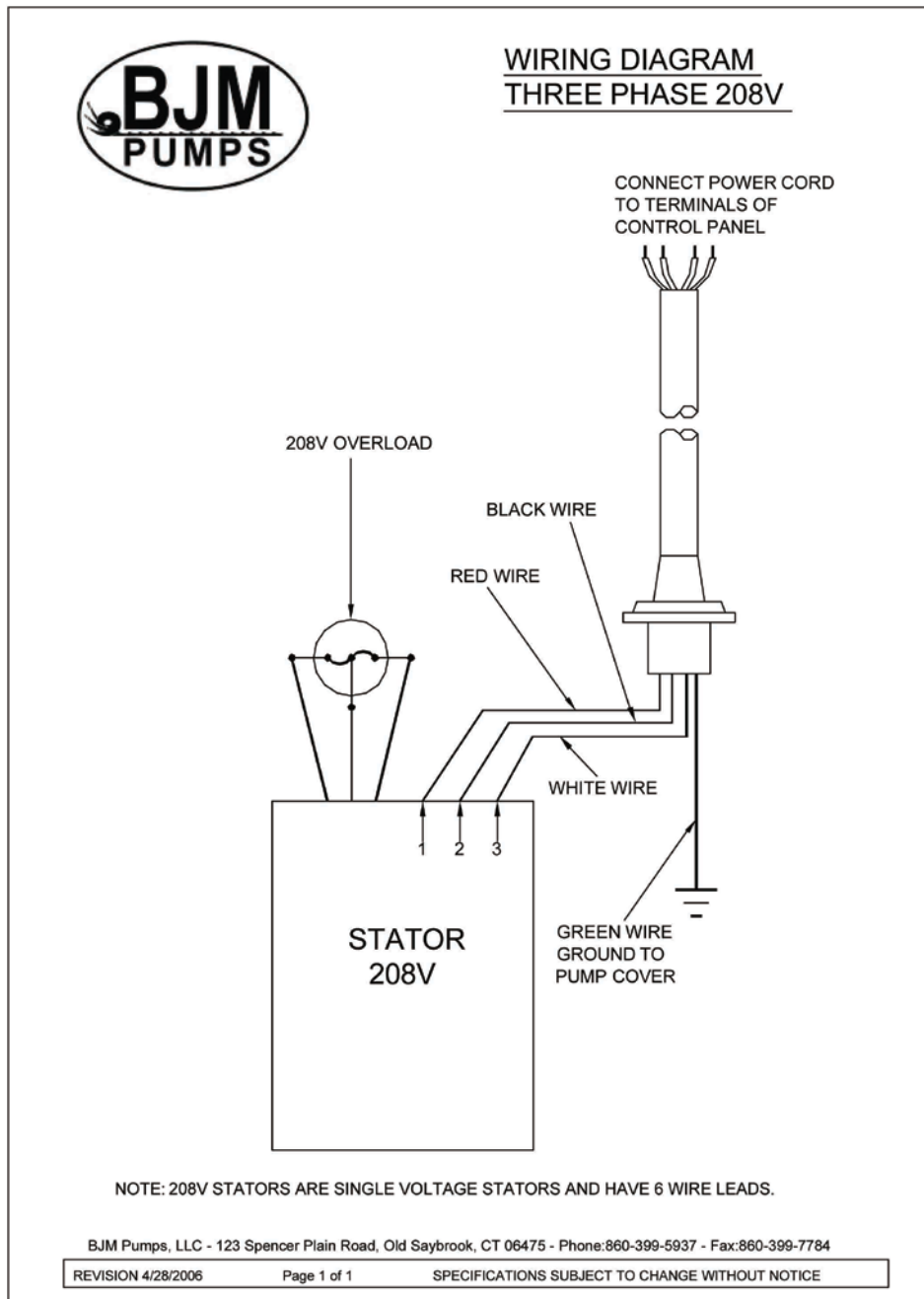


- NOTES: 1) BJM SINGLE PHASE STATORS ARE NOT DUAL VOLTAGE.
2) OVERLOAD, CAPACITOR AND STATOR MUST BE CHANGED
WHEN REWIRING FOR DIFFERENT VOLTAGE.

MODELS J750, JX750, J1500, JX1500H, JX1500HSS

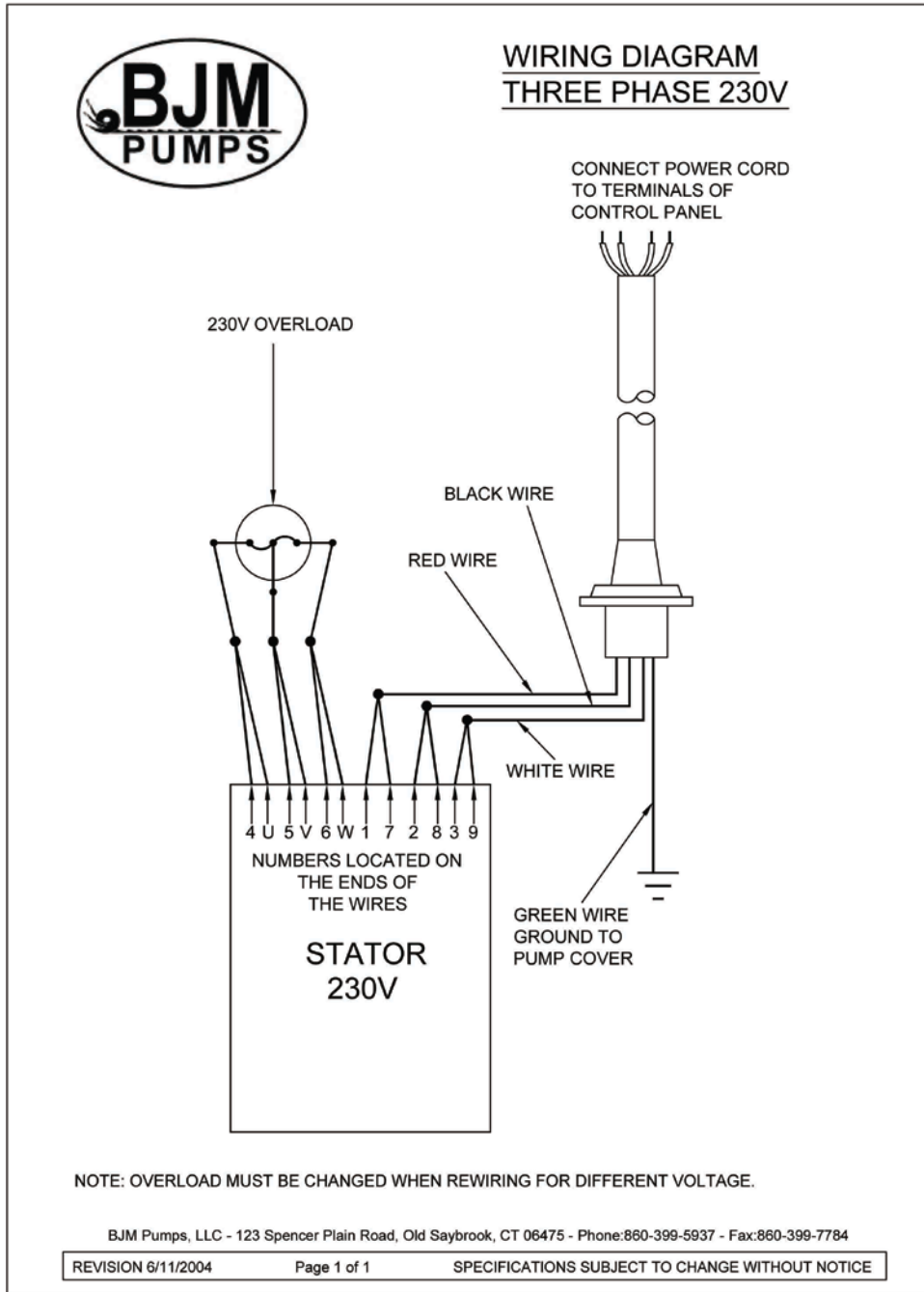
THREE PHASE WIRING DIAGRAM

208V



MODELS J08, JX08SS, J15, JX15SS, J15H, JX15HSS, J22, JX22SS, J22H, JX22HSS, J37, JX37SS, J37H, J37HSS, J55C, J55CSS, J55CH, J55CHSS, J75C, JX75CSS, J75CH, J75CHSS

230V

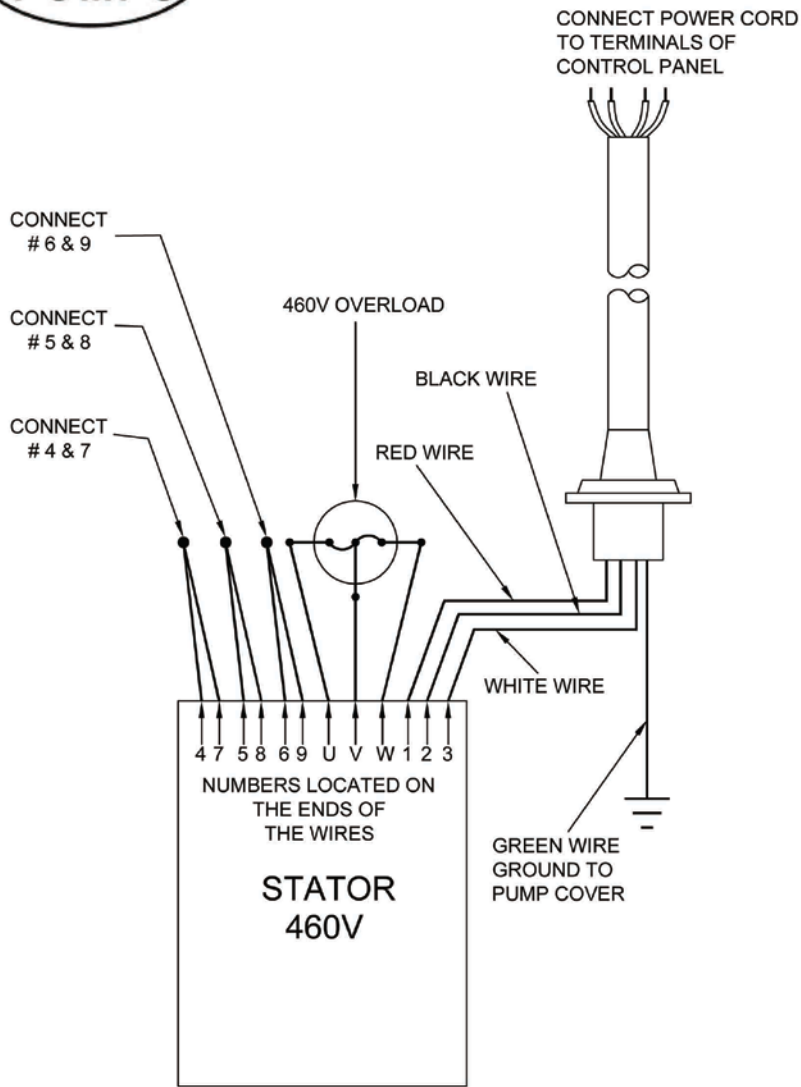


MODELS J08, JX08SS, J15, JX15SS, J15H, JX15HSS, J22, JX22SS, J22H, JX22HSS, J37, JX37SS, J37H, J37HSS, J55C, J55CSS, J55CH, J55CHSS, J75C, JX75CSS, J75CH, J75CHSS

460V



WIRING DIAGRAM
THREE PHASE 460V



NOTE: OVERLOAD MUST BE CHANGED WHEN REWIRING FOR DIFFERENT VOLTAGE.

BJM Pumps, LLC - 123 Spencer Plain Road, Old Saybrook, CT 06475 - Phone:860-399-5937 - Fax:860-399-7784

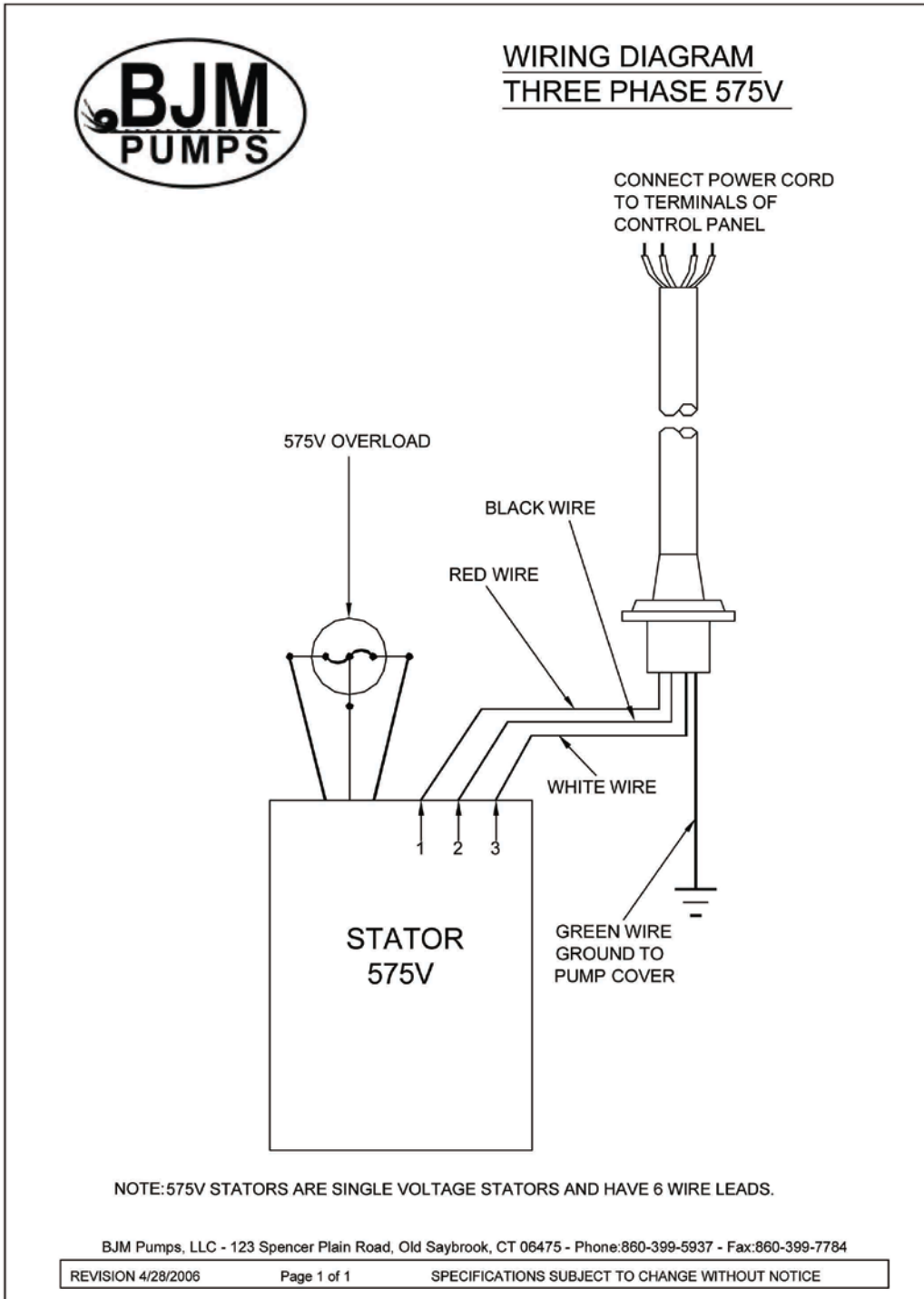
REVISION 6/11/2004

Page 1 of 1

SPECIFICATIONS SUBJECT TO CHANGE WITHOUT NOTICE

MODELS J08, JX08SS, J15, JX15SS, J15H, JX15HSS, J22, JX22SS, J22H, JX22HSS, J37, JX37SS, J37H, J37HSS, J55C, J55CSS, J55CH, J55CHSS, J75C, JX75CSS, J75CH, J75CHSS

575V



MODELS J08, JX08SS, J15, JX15SS, J15H, JX15HSS, J22, JX22SS, J22H, JX22HSS, J37, JX37SS, J37H, J37HSS, J55C, J55CSS, J55CH, J55CHSS, J75C, JX75CSS, J75CH, J75CHSS



SEAL MINDER®



Seal Minder® INFORMATION

Seal Minder:

Also known as a seal failure circuit (or moisture detection circuit) is designed to inform the pump operator that there is moisture within the oil chamber. This early warning can allow the operator to schedule repair & inspection on the pump. The **Seal Minder** is a sensor probe inside the oil chamber. (The oil chamber houses the mechanical seals that are cooled & lubricated by oil). The **Seal Minder**, when properly connected to a control panel, can help indicate seal failure. The **Seal Minder** cord requires a seal fail circuit in control panel for warning signal.

The open end of the **Seal Minder** circuit cord should be connected to a control panel with an optional seal failure alarm relay circuit or a standalone **Seal Minder** Panel manufacturers can incorporate the **Seal Minder** cord option. BJM Pumps, LLC has a stand alone, **Seal Minder** panel for both simplex (P/N MSP8350A) and duplex (P/N MSP8350B) systems. For more information contact BJM Pumps, LLC or visit us online at www.bjmpumps.com

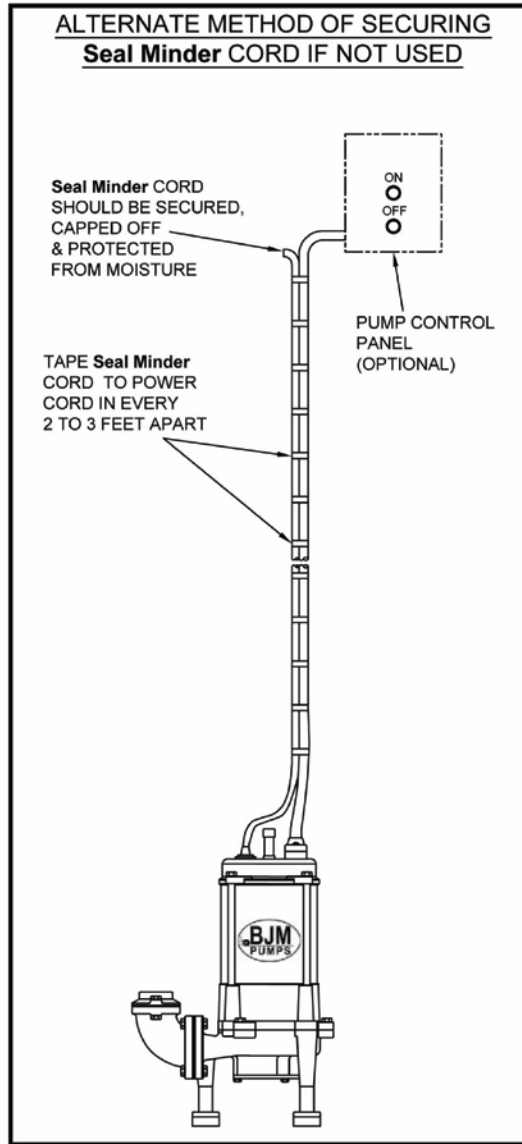
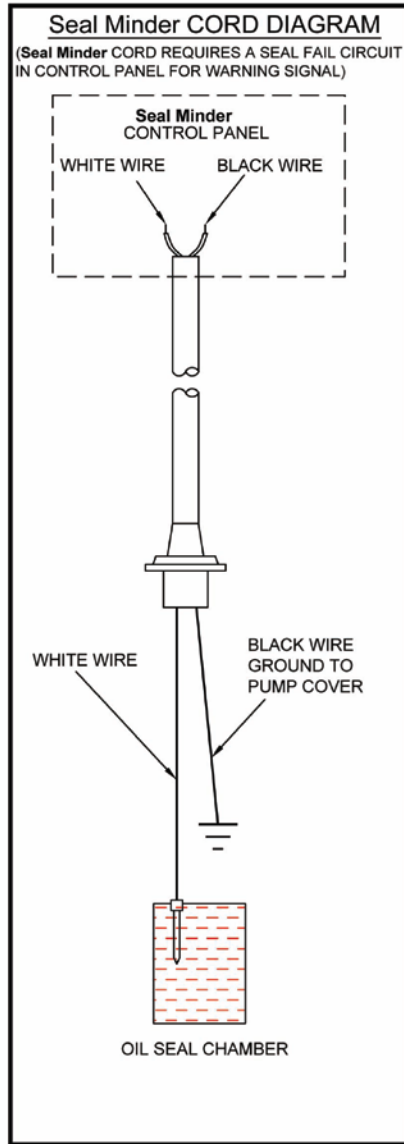
The **Seal Minder** cord has two leads, black and white. Note that the power cable is much larger and has 3 to five leads, depending on the model. Inside the pump, the black lead is connected to the casing ground, and the white lead is connected to the seal probe that is suspended into the oil chamber fluid. These leads need to be properly connected to the seal failure alarm relay circuit. Most controls that have provided for this option have a connection terminal point that is clearly marked for these connections. Consult the control panel manual for proper connection instructions.

Although highly recommended, the pump does not need a control box with seal fail relay or stand alone seal panel to operate.

If the operator does not use the Seal Minder:

1. The recommended procedure is to take the **Seal Minder** cord off the pump and seal with a **Seal Minder** cap (P/N M02738) and gasket (P/N M05121 for Buna, P/N M05121V for FKM). This should be done by an authorized BJM Pumps service center or distributor as not to void warranty Detailed instruction sheet available for this procedure.
2. Alternate method of securing **Seal Minder** cable if not being used: Tape the **Seal Minder** cord to the power cord. Make sure that the cords are taped together in an even run, at about 2' to 3' apart. Use electrical tape to tape off the end of the **Seal Minder** cable (Do not connect to power source). The taped leads should be kept dry and out of the liquid. (See next page for detailed drawing).

Seal Minder is a registered trademark of BJM Pumps, LLC



SPECIFICATIONS SUBJECT TO CHANGE WITHOUT NOTICE.

BJM Pumps, LLC - 123 SPENCER PLAIN ROAD, OLD SAYBROOK, CT 06475 - PHONE: 860-399-5937 - FAX: 860-399-7784
BJM Pumps® & Seal Minder® is a registered trademark of BJM Pumps, LLC. Copyright 2006-2009. All rights reserved.

Seal Minder™ is an optional accessory on the J & JX Series. (Not available on the J400 or JX400)



BJM PUMPS, LLC
123 Spencer Plain Road
Old Saybrook, CT 06475, U.S.A.

WARRANTY AND LIMITATION OF LIABILITY

Unless otherwise expressly authorized in writing, specifying a longer or shorter period, BJM Pumps, LLC warrants for a period of eighteen (18) months from the date of shipment from the Point of Shipment, or one (1) year from the date of installation, whichever occurs first, that all products or parts thereof furnished by BJM Pumps, LLC under the brand name **BJM Pumps**, hereinafter referred to as the "Product" are free from defects in materials and workmanship and conform to the applicable specification.

BJM Pumps, LLC's liability for any breach of this warranty shall be limited solely to replacement or repair, at the sole option of BJM Pumps, LLC, of any part or parts of the Product found to be defective during the warranty period, provided the Product is properly installed and is being used as originally intended. Any breach of this warranty must be reported to BJM Pumps, LLC or BJM Pumps, LLC's authorized service representative within the aforementioned warranty period, and defective Product or parts thereof must be shipped to BJM Pumps, LLC or BJM Pumps, LLC's authorized representative, transportation charges prepaid. Any cost associated with removal or installation of a defective Product or part is excluded.

IT IS EXPRESSLY AGREED THAT THIS SHALL BE THE SOLE AND EXCLUSIVE REMEDY OF BJM PUMPS, LLC'S DISTRIBUTORS AND CUSTOMERS. UNDER NO CIRCUMSTANCES SHALL BJM PUMPS, LLC BE LIABLE FOR ANY COSTS, LOSS, EXPENSE, DAMAGES, SPECIAL DAMAGES, INCIDENTAL DAMAGES OR CONSEQUENTIAL DAMAGES ARISING DIRECTLY OR INDIRECTLY FROM THE DESIGN, MANUFACTURE, SALE, USE OR REPAIR OF THE PRODUCT, WHETHER BASED ON WARRANTY, CONTRACT, NEGLIGENCE, OR STRICT LIABILITY. IN NO EVENT WILL LIABILITY EXCEED THE PURCHASE PRICE OF THE PRODUCT.

THE WARRANTY AND LIMITS OF LIABILITY CONTAINED HEREIN ARE IN LIEU OF ALL OTHER WARRANTIES AND LIABILITIES, EXPRESSED OR IMPLIED. ALL IMPLIED WARRANTIES OF MERCHANTABILITY AND FITNESS FOR A PARTICULAR PURPOSE ARE HEREBY DISCLAIMED BY BJM PUMPS, LLC AND EXCLUDED FROM THIS WARRANTY.

BJM Pumps, LLC neither assumes, nor authorizes any person to assume for it, any other warranty obligation in connection with the sale of the Product. This warranty shall not apply to any Product or parts of Product which have (a) been repaired or altered outside of BJM Pumps, LLC's facilities unless such repair was authorized in advance by BJM Pumps, LLC or by its authorized representative; or (b) have been subject to misuse, negligence or accident; or (c) have been used in a manner contrary to BJM Pumps, LLC's instruction.

In any case of products not manufactured and sold under the BJM Pumps, LLC brand name, there is no warranty from BJM Pumps, LLC; however BJM Pumps, LLC will extend any warranty received from BJM Pumps, LLC's supplier of such products.

START-UP REPORT FORM

START-UP REPORT FORM

This form is designed to record the initial installation, and to serve as a guide for troubleshooting at a later date (if needed).

BJM Pumps, LLC
123 Spencer Plain Road
Old Saybrook, CT. 06475

Pump Owner's Name			
Location of Installation			
Person in Charge			Phone()
Purchased From			
Model		Serial No	
Voltage	Phase	Hertz	HP
Does impeller turn freely by hand?	<input type="checkbox"/> Yes <input type="checkbox"/> No		
Condition of Equipment	<input type="checkbox"/> New <input type="checkbox"/> Good <input type="checkbox"/> Fair <input type="checkbox"/> Poor		
Condition of Cable Jacket	<input type="checkbox"/> New <input type="checkbox"/> Good <input type="checkbox"/> Fair <input type="checkbox"/> Poor		
Rotation: Direction of Impeller Rotation (Use C/W for clockwise, CC/W for counterclockwise):			

Method used to check rotation (viewed from bottom) _____			
Resistance of cable and Pump Motor (measured at pump control)			
Red-Black_____ ohms	Red-White_____ ohms	White-Black____ohms	
Resistance of ground circuit between control panel and outside of pumps			
_____ Ohms			
MEG OHM CHECK OF INSULATION			
Red to ground_____ White to ground_____ Black to ground_____			
Condition of location at start-up	<input type="checkbox"/> Dry <input type="checkbox"/> Wet <input type="checkbox"/> Muddy		
Was equipment stored	<input type="checkbox"/> Yes <input type="checkbox"/> No.		
If YES, length of storage:			
Liquid being pump			
Debris in bottom of station?	<input type="checkbox"/> Yes <input type="checkbox"/> No		
Was debris removed in your	<input type="checkbox"/> Yes <input type="checkbox"/> No		

START-UP REPORT FORM

presence?		
Are guide rails exactly vertical?	<input type="checkbox"/> Yes	<input type="checkbox"/> No
Is base elbow installed level?	<input type="checkbox"/> Yes	<input type="checkbox"/> No
Liquid level controls: Model _____		
Is control installed away from turbulence?	<input type="checkbox"/> Yes	<input type="checkbox"/> No
Operation Check		
Tip lowest float (stop float), all pumps should remain off. Tip second float (and stop float), one pump comes on. Tip third float (and stop float), both pumps on (alarm on simplex). Tip fourth float (and stop float), high level alarm on (omit on simplex).		
If not on levels controls, describe type of controls		
Does liquid level ever drop below volute top?	<input type="checkbox"/> Yes	<input type="checkbox"/> No
Control Panel MFG & model no.		
Number of pumps operated by control panel		
NOTE: At no time should hole be made in top of control panel, unless proper sealing devices are utilized.		
Short Circuit protection:	Type:	
Number and size of short circuit device(s)	Amp rating:	
Overload type:	Size:	Amp rating:
Do protective devices comply with pump motor amp rating?	<input type="checkbox"/> Yes	<input type="checkbox"/> No
Are all pump connections tight?	<input type="checkbox"/> Yes	<input type="checkbox"/> No
Is the interior of the panel dry?	<input type="checkbox"/> Yes	<input type="checkbox"/> No If No, correct moisture problem.
Electrical readings		
SINGLE PHASE		
Voltage supply at panel line connection, pump off	L1	L2
Voltage supply at panel line connection, pump on	L1	L2
Amperage load connection, pump on	L1	L2
THREE PHASE		
Voltage supply at panel line connection, pump off		
L1-L2	L2-L3	L3-L1

START-UP REPORT FORM

Voltage supply at panel line connection, pump on		
L1-L2	L2-L3	L3-L1
Amperage load connection, pump on		
L1	L2	L3
FINAL CHECK		
Is pump secured properly?	<input type="checkbox"/> Yes <input type="checkbox"/> No	
Was pump checked for leaks?	<input type="checkbox"/> Yes <input type="checkbox"/> No	
Do check valves operate properly?	<input type="checkbox"/> Yes <input type="checkbox"/> No	
Flow: Does station appear to operate at proper rate?	<input type="checkbox"/> Yes <input type="checkbox"/> No	
Noise level:	Acceptable <input type="checkbox"/>	Unacceptable <input type="checkbox"/>
Comments:		
Describe and equipment difficulties during start-up		
Installed by: Company: _____ Person: _____ Date: _____		
Maintained by: Company: _____ Person: _____		
Date and time of start-up _____ Present at start-up: () Engineer's name _____ () Contractor's name _____ () Operator's name _____ () others _____		

BJM Pumps, LLC
123 Spencer Plain Road • PO Box 1138 • Old Saybrook, CT 06475, USA
• Phone: (860) 399-5937 • Fax: (860) 399-7784
Email: sales@bjmpumps.com • Web Site: www.bjmpumps.com