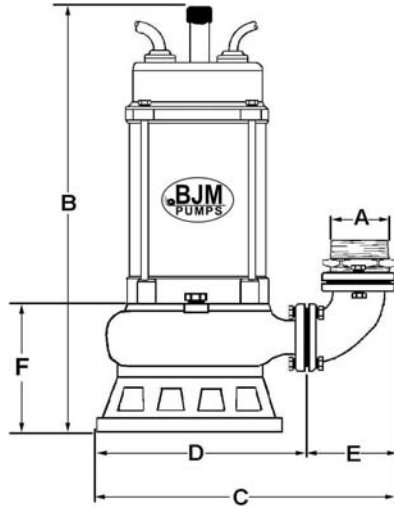
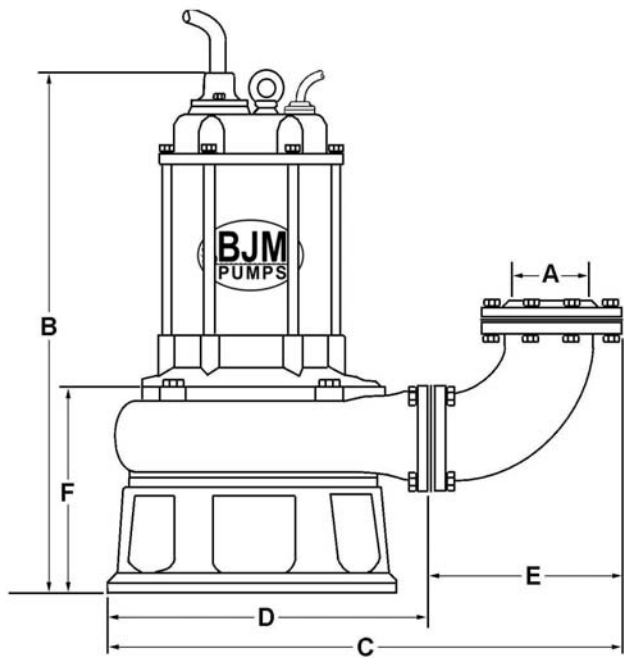




SKF SERIES



| MODEL | A | B | C | D | E | F |
|---------|------|--------|--------|-------|-------|-------|
| SK08C-F | 2.0" | 21.25" | 13.5" | 8.5" | 5.0" | 5.25" |
| SK15C-F | 3.0" | 20.5" | 14.75" | 9.5" | 5.25" | 5.75" |
| SK22C-F | 3.0" | 21.75" | 15.25" | 10.0" | 5.25" | 6.0" |
| SK37C-F | 4.0" | 22.5" | 15.25" | 10.0" | 5.25" | 7.3" |



| MODEL | A | B | C | D | E | F |
|----------|------|--------|--------|-------|-------|-------|
| SK55C-F | 4.0" | 29.5" | 29.5" | 18.5" | 11.0" | 12.5" |
| SK75C-F | 4.0" | 31.15" | 29.5" | 18.5" | 11.0" | 12.5" |
| SK110C-F | 6.0" | 35.6" | 35.15" | 22.5" | 13.0" | 17.5" |
| SK150C-F | 6.0" | 37.6" | 35.15" | 22.5" | 13.0" | 17.5" |