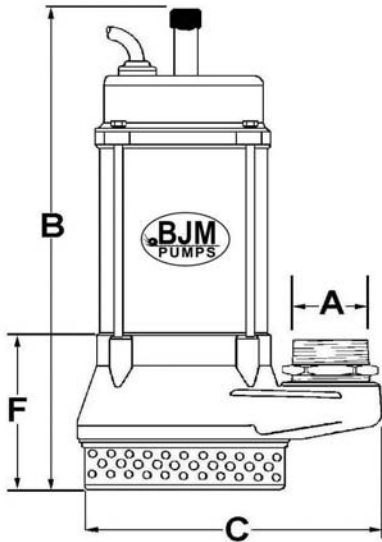
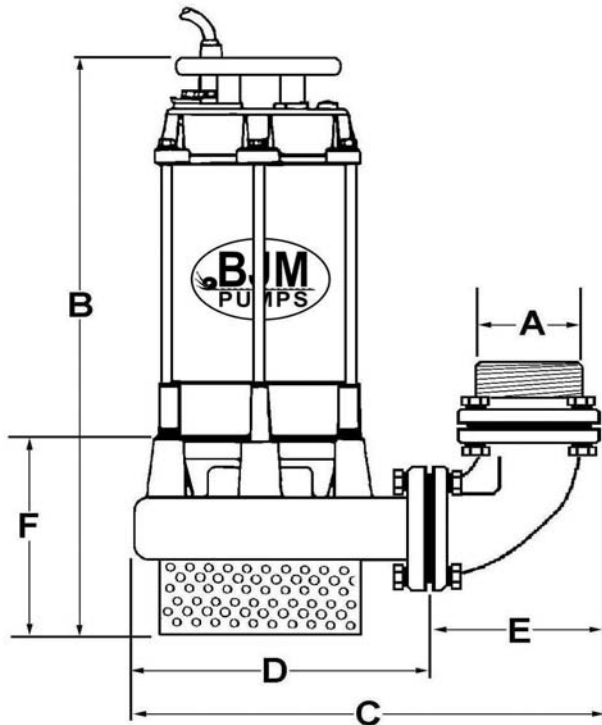




J & JH SERIES



MODEL	A	B	C	F
J400	2.0"	15.7"	8.5"	4.75"
J750	2.0"	17.3"	11.2"	5.25"
J1500	3.0"	18.7"	12.5"	5.25"
J1500H	2.0"	18.7"	12.5"	5.25"
J08	2.0"	15.2"	11.2"	5.25"
J15	3.0"	16.4"	11.2"	5.25"
J15H	2.0"	16.4"	11.2"	5.25"
J22	3.0"	18.5"	12.5"	6.25"
J22H	2.0"	18.5"	12.5"	6.25"
J37	4.0"	19.7"	12.5"	6.25"
J37H	2.0"	19.7"	12.5"	6.25"



MODEL	A	B	C	D	E	F
J55C	4.0"	25.5"	20.5"	13.25"	7.25"	8.0"
J75C	4.0"	27.75"	20.5"	13.25"	7.25"	8.0"
J55CH	3.0"	25.5"	20.5"	13.25"	7.25"	8.0"
J75CH	4.0"	27.75"	20.5"	13.25"	7.25"	8.0"