

BMP

High-pressure piston pumps
50/60 Hz



Contents

Product data

Introduction	Page	3
Features and benefits	Page	3
Applications	Page	3
Pumped liquids	Page	3
Type key	Page	4
Motor	Page	4
Sound pressure level	Page	4
Positioning	Page	4
Curve conditions	Page	4
Pumping systems	Page	5

Construction

Sectional drawing	Page	6
Materials	Page	6

Performance curves

BMP pump range	Page	7
BMP, -N, -R	Page	8
BMP-N pump range	Page	8
BMP, -N, -R	Page	9
BMP-R pump range	Page	9

Product range

BMP, -N, -R, IEC, 50/60 Hz	Page	10
BMPE, -N, -R, IEC	Page	11
BMP, -N, -R, cURus	Page	12
BMPE, -N, -R, cURus	Page	13
BMP, -N, -R, IEC, Japan	Page	14

Accessories

Page	15
------	----

Technical data

BMP, -N, -R, IEC, 50/60 Hz	Page	17
BMP, -N, -R, cURus	Page	19
BMP, -N, -R, IEC, Japan	Page	20
Dimensions, BMP	Page	21
Dimensions, BMPE	Page	23

Introduction

This data booklet deals with BMP and BMPE pumps.

Grundfos BMP, **Booster Module Piston** pumps, are designed for the transfer of liquids under high pressure. The pumps are based on the axial piston principle enabling a very light and compact design.

The BMP pump range consists of three variants:

- BMP for clean water
- BMP-N for technical water
- BMP-R for seawater.

The motor of BMP pumps is a Grundfos motor designed to EN standards.

The pumps are available with nominal flow rates from 0.2 to 10.2 m³/h at pressures up to 160 bar.

BMPE

The BMPE versions are supplied with an external frequency converter set to operate with a constant torque.

Frequency control enables continuously variable control of motor speed, which makes it possible to set the pump to operate at any duty point within the allowed speed range. The aim of continuously variable control of the motor speed is to adjust the performance to a given flow requirement.

Features and benefits

- High efficiency
- Small and light
- Generates insignificant pulsations in the discharge line
- No preventive maintenance required
- Long service life
- Few wear parts
- Wide speed control range
- Extreme recirculation capability without overheating (up to 90%)
- Lubricated by the pumped liquid.

Applications

BMP pumps are suitable for a variety of applications ranging from pumping of potable water to pumping of chemicals. The pumps can therefore be used in a wide diversity of pumping systems where the performance and pump materials must meet specific requirements.

Examples of applications:

Application	Examples
Cleaning/washing	<ul style="list-style-type: none"> • Vehicle washing • Cleaning of food plants • Cleaning of filters
Injecting	<ul style="list-style-type: none"> • Injection of pesticides • Machine tool coolants
Misting	<ul style="list-style-type: none"> • Lumber conditioning • Odour control • Temperature control
Processing	<ul style="list-style-type: none"> • Chemicals • Ham or turkey deboning • Reverse osmosis/ultra-filtration

Pumped liquids

Pump type	Recommended pumped liquids
BMP	<ul style="list-style-type: none"> • Raw water • potable water • groundwater • surface water (lakes and rivers).
BMP-N	<ul style="list-style-type: none"> • Softened water (cation exchange) • demineralised water (demineralised/de-ionised water) • water processed according to the reverse osmosis principle (RO water) <p>If coolants such as HFA, HFC, etc. are to be pumped, please contact Grundfos.</p>
BMP-R	<ul style="list-style-type: none"> • Brackish water • sea water • brine • water containing various chemicals.

Type key

Example	BMP	2.5	-	A	O	G	BBVP
Pump range BMP = With standard motor BMPE = With external frequency converter							
Maximum flow rate [m ³ /h]							
Blank = All components in contact with the pumped liquid are made of stainless steel EN/DIN 1.4301 and PEEK							
N = Designed for demineralised water. All components in contact with the pumped liquid are made of stainless steel EN/DIN 1.4301 and PEEK							
R = All components in contact with the pumped liquid are made of stainless steel 1.4410 and PEEK							
Code for pump version A = First generation							
Code for pipe connection O = External thread G = Victaulic/PJE							
Code for materials I = Stainless steel (1.4301) G = Stainless steel (1.4401)							
Code for shaft seal B = Bellows (rubber) B = Carbon V = Al ₂ O ₃ P = NBR							

Motor

Grundfos standard motors - MG or MMG

BMP pumps are fitted with totally enclosed, fan-cooled, 2- or 4-pole Grundfos standard motors with principal dimensions according to the EN standards.

Electrical tolerances according to EN 60 034.

All motors are efficiency class 1 (EFF 1).

Motors designed for the US market are IEC motors recognised in accordance with cURus (Recognised Component Mark for Canada and the United States). These motors are EPAAct marked (Energy Policy Act).

Sound pressure level

The table below indicates the sound pressure level in dB(A) measured in a reverberation room at a distance of 1 metre from the pump. The anechoic noise level is calculated by subtracting 3 dB(A) from the stated values.

Sound pressure level in dB(A) at 140 bar*, 50 Hz					
BMP 0.2	72.4	BMP 0.3 N	72.3	BMP 0.6 R	72.4
BMP 0.4	72.6	BMP 0.6 N	72.4	BMP 1.0 R	72.6
BMP 0.6	72.8	BMP 1.0 N	72.8	BMP 1.8 R	71.7
BMP 1.0	71.3	BMP 1.7 N	72.0	BMP 2.2 R	71.7
BMP 1.2	71.3	BMP 2.1 N	72.0	BMP 5.1 R	78.0
BMP 2.5	71.4	BMP 3.4 N	71.4	BMP 6.5 R	78.0
BMP 3.2	72.4	BMP 4.4 N	72.4	BMP 7.2 R	78.0
BMP 6.2	78.3	BMP 6.2 N	78.3	BMP 8.2 R	78.0
BMP 7.0	78.3	BMP 7.0 N	78.3	BMP 10.2 R	78.0
BMP 8.0	78.3	BMP 8.0 N	78.3		

Positioning

The suction port is marked with an "I".

The discharge port is marked with an "O".

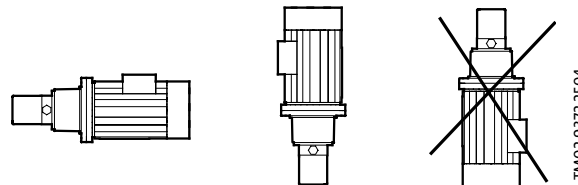


Fig. 1 Position of pump

The pump must be installed on a solid foundation by means of the bolt holes in the foot-mounted motor. It is recommended to use vibration-absorbing machine feet.

Dimensional sketches and dimensions, see pages 21 to 23.

Curve conditions

- The performance curves apply to operation at maximum discharge pressure, see page 10.
- The curves apply to a kinematic viscosity of 1 mm²/s (1 cSt).
The performance tests have been made at a water temperature of 20°C.
Test liquid: Airless water.
- All curves according to ISO 9906 Annex A.
- The pump pressure only depends on the counter pressure from the system.
All BMP pumps are able to produce a pressure from 10 bar to maximum pressure at the rated flow.

Pumping systems

The BMP pumps are suitable for both closed and open pumping systems.

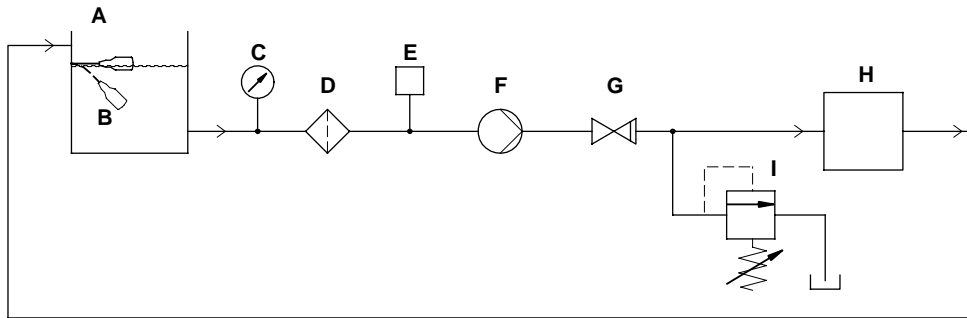


Fig. 2 Example of closed pumping system

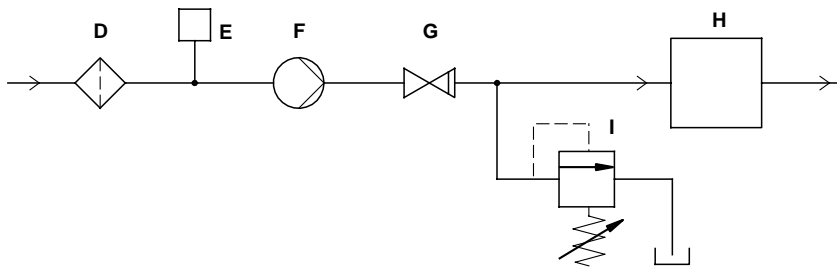


Fig. 3 Example of open pumping system

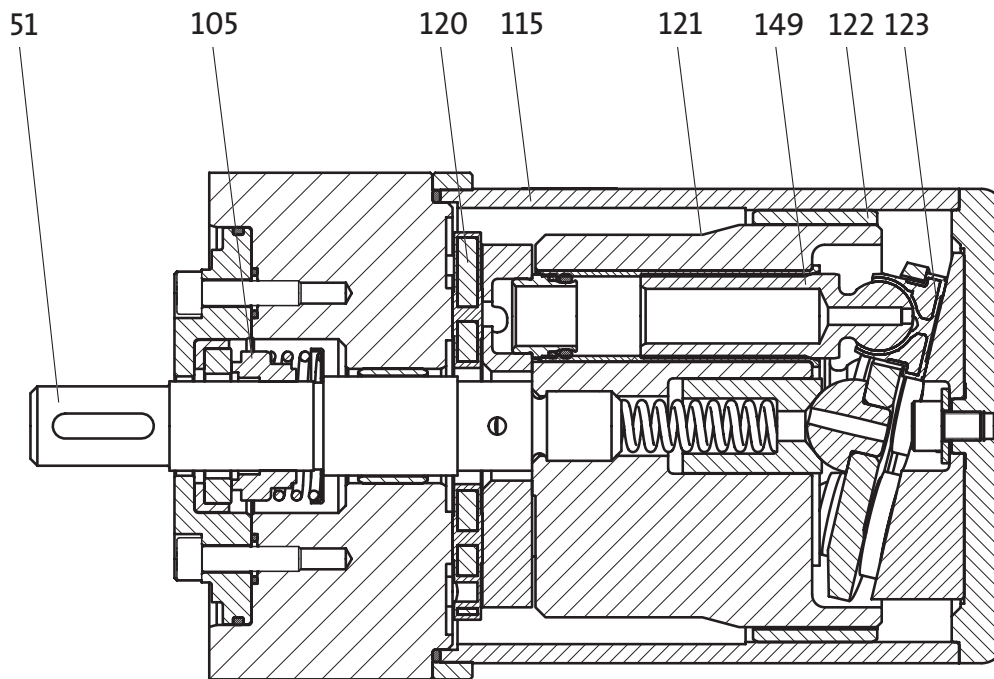
Legend:

Pos.	Description
A	Water tank
B	Level switch
C	Pressure gauge
D	Prefilter, maximum 10 microns (abs. $\beta_{10} > 5000$)
E	Low-pressure switch
F	BMP pump
G	Non-return valve
H	Application
I	Pressure relief valve (adjustable)

TM02.9373.2504

TM02.9372.2504

Sectional drawing



TM02 9349 2404

Fig. 4 BMP pump

Materials

Pos.	Designation	Materials	DIN			AISI/ASTM		
			BMP	BMP-N	BMP-R	BMP	BMP-N	BMP-R
51	Shaft	Stainless steel	1.4057	1.4057	1.4057	AISI 431	AISI 431	AISI 431
105	Shaft seal	Carbon/NBR						
115	Pump housing	Stainless steel	1.4301	1.4301	1.4462	AISI 304	AISI 304	SAF 2205
120	Port plate	PEEK						
121	Pump rotor	Stainless steel	1.4057	1.4057	1.4410	AISI 431	AISI 431	SAF 2507
122	Rotor guide	PEEK						
123	Piston pad	PEEK						
149	Piston	Stainless steel	1.4057	1.4057	1.4057	AISI 431	AISI 431	AISI 431
	Rubber parts	EPDM or FKM						

BMP pump range

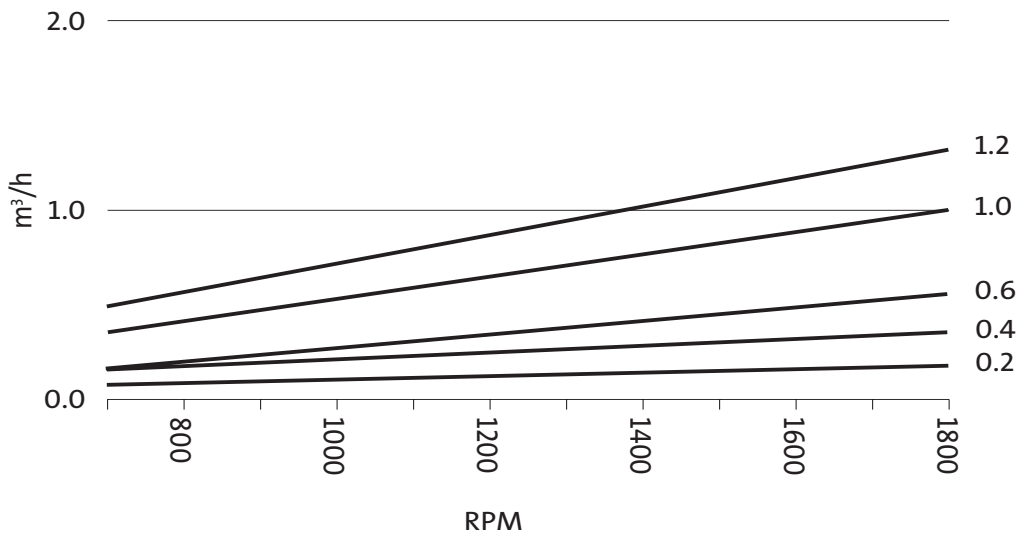


Fig. 5 Performance curves for BMP 0.2 to 1.2

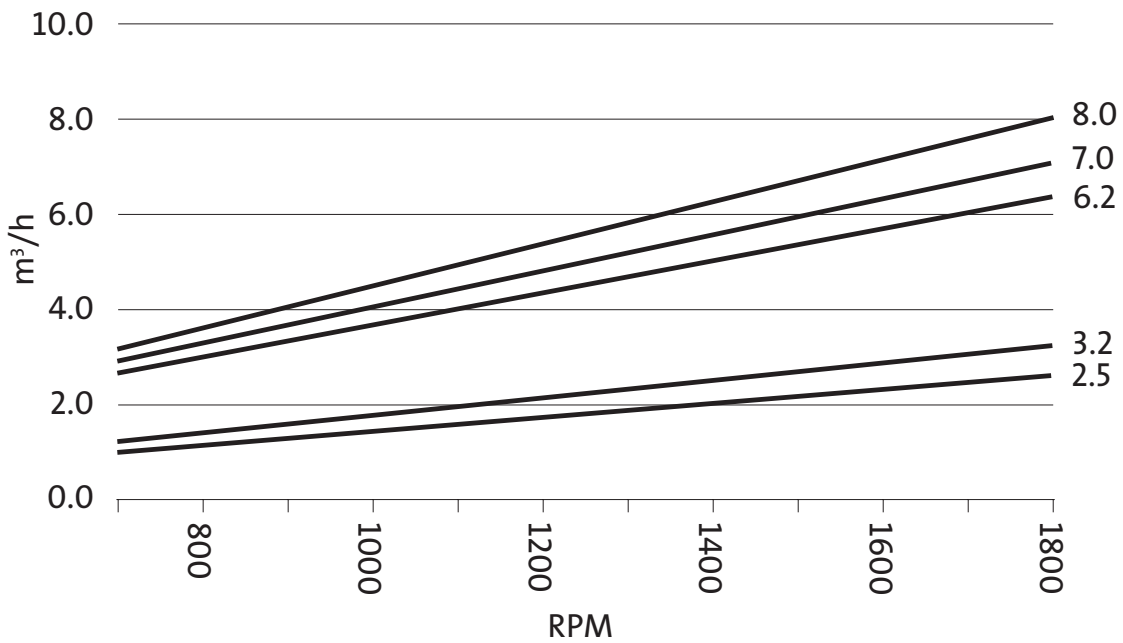
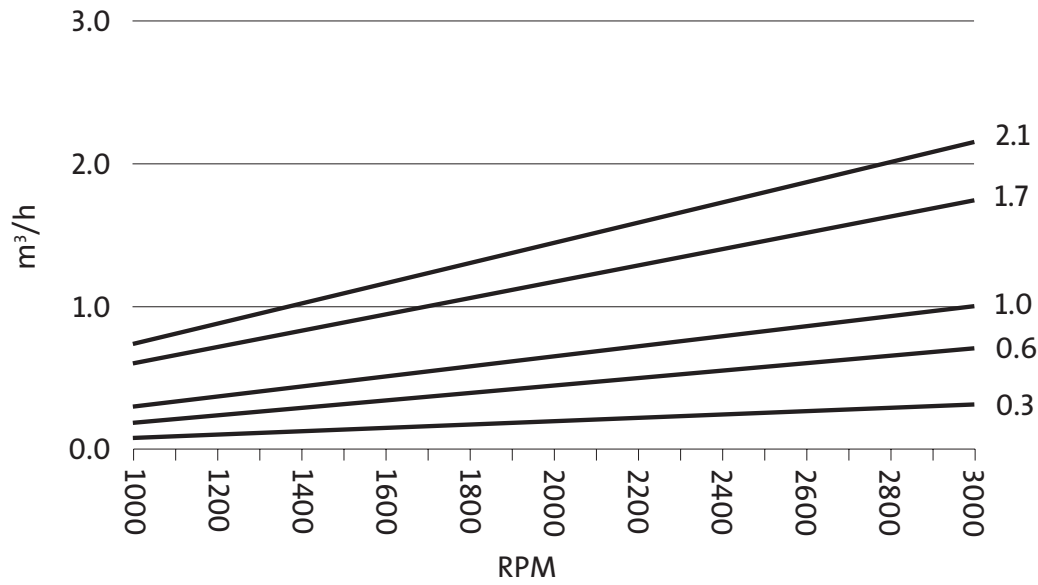


Fig. 6 Performance curves for BMP 2.5 to 8.0

TM02 9317 2304

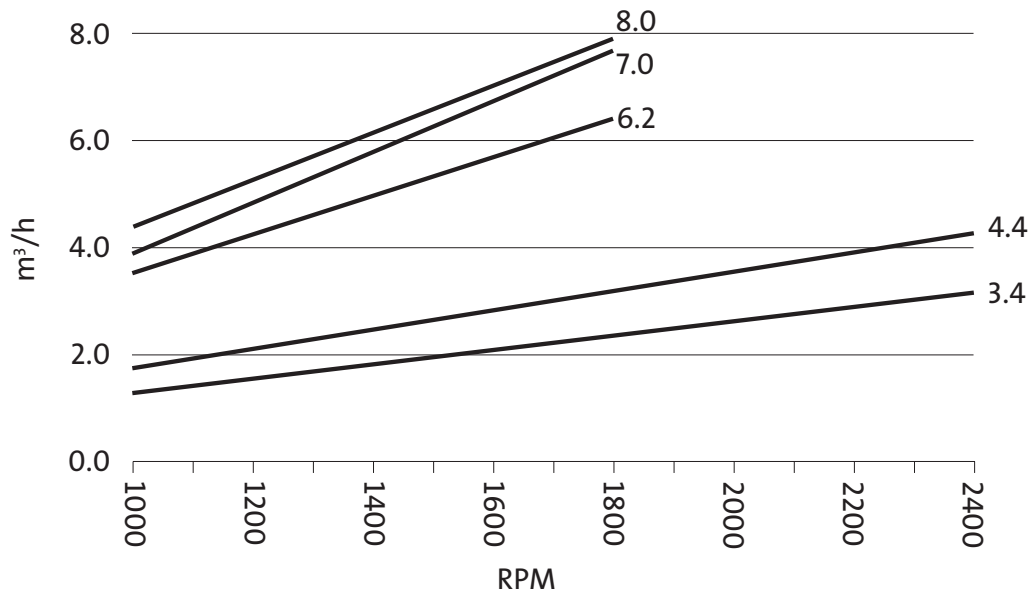
TM02 9316 2304

BMP-N pump range



TM02 9318 2304

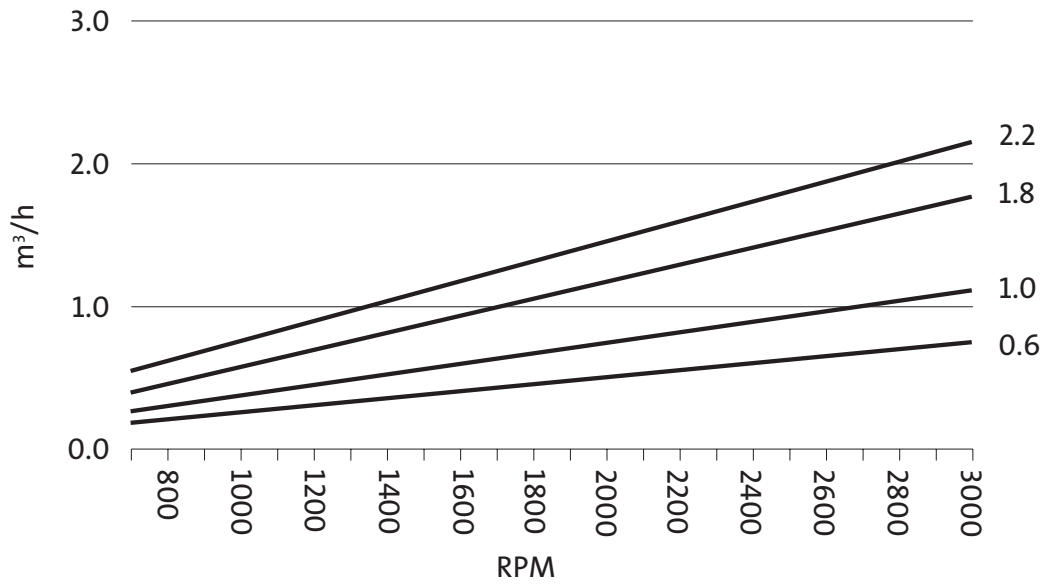
Fig. 7 Performance curves for BMP 0.3 N to 2.1 N



TM02 9319 2304

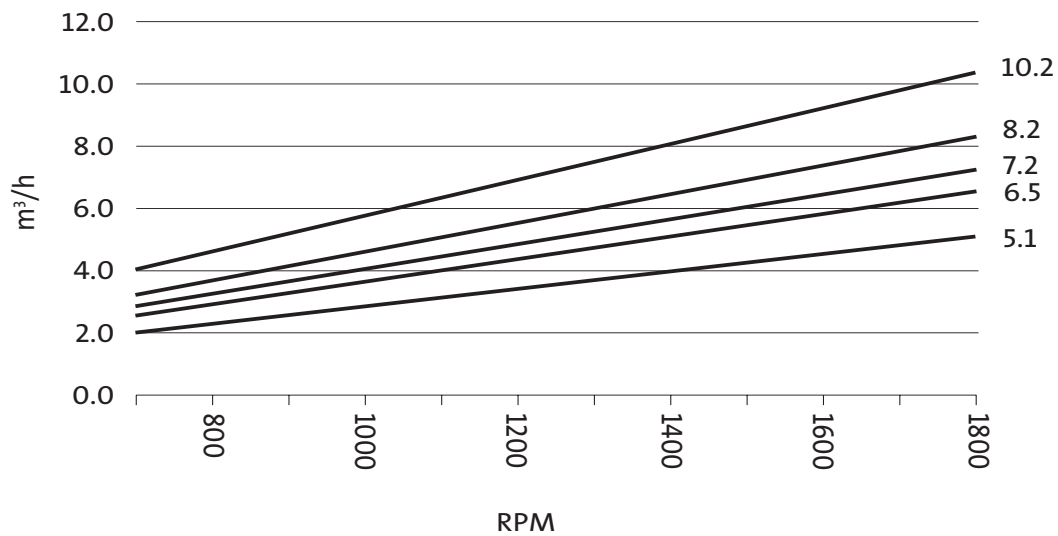
Fig. 8 Performance curves for BMP 3.4 N to 8.0 N

BMP-R pump range



TM02 9920 2304

Fig. 9 Performance curves for BMP 0.6 R to 2.2 R



TM02 9921 2304

Fig. 10 Performance curves for BMP 5.1 R to 10.2 R

BMP, -N, -R, IEC, 50/60 Hz

3 x 380-415 V, 50 Hz

3 x 380-480 V, 60 Hz

BMP

Pump type	Motor		Speed of rotation [min ⁻¹]	Max. flow [m ³ /h]	Pressure [bar]	Product number
	Type	P2 [kW]				
BMP 0.2	MG	1.5	700 - 1800	0.2	10 - 100	96126000
BMP 0.4	MG	2.2	700 - 1800	0.4	10 - 140	96126001
BMP 0.6	MG	4.0	700 - 1800	0.6	10 - 140	96126002
BMP 1.0	MMG	7.5	700 - 1800	1.0	10 - 160	96126003
BMP 1.2	MMG	7.5	700 - 1800	1.2	10 - 160	96126004
BMP 2.5	MMG	15.0	700 - 1800	2.5	10 - 160	96126005
BMP 3.2	MMG	18.5	700 - 1800	3.2	10 - 160	96126006
BMP 6.2	MMG	37.0	700 - 1800	6.2	10 - 160	96126008
BMP 7.0	MMG	45.0	700 - 1800	7.0	10 - 160	96126009
BMP 8.0	MMG	45.0	700 - 1800	8.0	10 - 160	96126010

BMP-N

Pump type	Motor		Speed of rotation [min ⁻¹]	Max. flow [m ³ /h]	Pressure [bar]	Product number
	Type	P2 [kW]				
BMP 0.3 N	MG	1.5	1000 - 3000	0.3	10 - 100	96125900
BMP 0.6 N	MG	2.2	1000 - 3000	0.6	10 - 100	96125901
BMP 1.0 N	MG	4.0	1000 - 3000	1.0	10 - 100	96125902
BMP 1.7 N	MMG	11.0	1000 - 3000	1.7	10 - 140	96125903
BMP 2.1 N	MMG	11.0	1000 - 3000	2.1	10 - 140	96125904
BMP 3.4 N	MMG	15.0	1000 - 2400	3.4	10 - 140	96125905
BMP 4.4 N	MMG	22.0	1000 - 2400	4.4	10 - 140	96125906
BMP 6.2 N	MMG	37.0	1000 - 1800	6.2	10 - 140	96125907
BMP 7.0 N	MMG	37.0	1000 - 1800	7.0	10 - 140	96125908
BMP 8.0 N	MMG	45.0	1000 - 1800	8.0	10 - 140	96125909

BMP-R

Pump type	Motor		Speed of rotation [min ⁻¹]	Max. flow [m ³ /h]	Pressure [bar]	Product number
	Type	P2 [kW]				
BMP 0.6 R	MG	2.2	700 - 3000	0.6	10 - 80	96126100
BMP 1.0 R	MG	3.0	700 - 3000	1.0	10 - 80	96126101
BMP 1.8 R	MG	5.5	700 - 3000	1.8	10 - 80	96126102
BMP 2.2 R	MG	5.5	700 - 3000	2.2	10 - 80	96126103
BMP 5.1 R	MMG	15.0	700 - 1800	5.1	10 - 80	96126104
BMP 6.5 R	MMG	18.5	700 - 1800	6.5	10 - 80	96126105
BMP 7.2 R	MMG	22.0	700 - 1800	7.2	10 - 80	96126106
BMP 8.2 R	MMG	22.0	700 - 1800	8.2	10 - 80	96126107
BMP 10.2 R	MMG	30.0	700 - 1800	10.2	10 - 80	96126108

BMPE, -N, -R, IEC

3 x 380-500 V

BMPE

Pump type	Motor		Frequency converter	Speed of rotation [min ⁻¹]	Max. flow [m ³ /h]	Pressure [bar]	Product number
	Type	P2 [kW]					
BMPE 0.2	MG	1.5	VLT 5003 (1.5 kW)	700 - 1800	0.2	10 - 100	96126040
BMPE 0.4	MG	2.2	VLT 5004 (2.2 kW)	700 - 1800	0.4	10 - 140	96126041
BMPE 0.6	MG	4.0	VLT 5006 (4.0 kW)	700 - 1800	0.6	10 - 140	96126042
BMPE 1.0	MMG	7.5	VLT 5011 (7.5 kW)	700 - 1800	1.0	10 - 160	96126043
BMPE 1.2	MMG	7.5	VLT 5011 (7.5 kW)	700 - 1800	1.2	10 - 160	96126044
BMPE 2.5	MMG	15.0	VLT 5022 (15.0 kW)	700 - 1800	2.5	10 - 160	96126045
BMPE 3.2	MMG	18.5	VLT 5027 (18.5 kW)	700 - 1800	3.2	10 - 160	96126046
BMPE 6.2	MMG	37.0	VLT 5052 (37.0 kW)	700 - 1800	6.2	10 - 160	96126048
BMPE 7.0	MMG	45.0	VLT 5062 (45.0 kW)	700 - 1800	7.0	10 - 160	96126049
BMPE 8.0	MMG	45.0	VLT 5062 (45.0 kW)	700 - 1800	8.0	10 - 160	96126050

BMPE-N

Pump type	Motor		Frequency converter	Speed of rotation [min ⁻¹]	Max. flow [m ³ /h]	Pressure [bar]	Product number
	Type	P2 [kW]					
BMPE 0.3 N	MG	1.5	VLT 5003 (1.5 kW)	1000 - 3000	0.3	10 - 100	96125940
BMPE 0.6 N	MG	2.2	VLT 5004 (2.2 kW)	1000 - 3000	0.6	10 - 100	96125941
BMPE 1.0 N	MG	4.0	VLT 5006 (4.0 kW)	1000 - 3000	1.0	10 - 100	96125942
BMPE 1.7 N	MMG	11.0	VLT 5016 (11.0 kW)	1000 - 3000	1.7	10 - 140	96125943
BMPE 2.1 N	MMG	11.0	VLT 5016 (11.0 kW)	1000 - 3000	2.1	10 - 140	96125944
BMPE 3.4 N	MMG	15.0	VLT 5022 (15.0 kW)	1000 - 2400	3.4	10 - 140	96125945
BMPE 4.4 N	MMG	22.0	VLT 5032 (22.0 kW)	1000 - 2400	4.4	10 - 140	96125946
BMPE 6.2 N	MMG	37.0	VLT 5052 (37.0 kW)	1000 - 1800	6.2	10 - 140	96125947
BMPE 7.0 N	MMG	37.0	VLT 5052 (37.0 kW)	1000 - 1800	7.0	10 - 140	96125948
BMPE 8.0 N	MMG	45.0	VLT 5062 (45.0 kW)	1000 - 1800	8.0	10 - 140	96125949

BMPE-R

Pump type	Motor		Frequency converter	Speed of rotation [min ⁻¹]	Max. flow [m ³ /h]	Pressure [bar]	Product number
	Type	P2 [kW]					
BMPE 0.6 R	MG	2.2	VLT 5004 (2.2 kW)	700 - 3000	0.6	10 - 80	96126140
BMPE 1.0 R	MG	3.0	VLT 5005 (3.0 kW)	700 - 3000	1.0	10 - 80	96126141
BMPE 1.8 R	MG	5.5	VLT 5008 (5.5 kW)	700 - 3000	1.8	10 - 80	96126142
BMPE 2.2 R	MG	5.5	VLT 5008 (5.5 kW)	700 - 3000	2.2	10 - 80	96126143
BMPE 5.1 R	MMG	15.0	VLT 5022 (15.0 kW)	700 - 1800	5.1	10 - 80	96126144
BMPE 6.5 R	MMG	18.5	VLT 5027 (18.5 kW)	700 - 1800	6.5	10 - 80	96126145
BMPE 7.2 R	MMG	22.0	VLT 5032 (22.0 kW)	700 - 1800	7.2	10 - 80	96126146
BMPE 8.2 R	MMG	22.0	VLT 5032 (22.0 kW)	700 - 1800	8.2	10 - 80	96126147
BMPE 10.2 R	MMG	30.0	VLT 5042 (30.0 kW)	700 - 1800	10.2	10 - 80	96126148

BMP, -N, -R, cURus

3 x 230/400 V, 60 Hz

BMP

Pump type	Motor		Speed of rotation [min ⁻¹]	Max. flow [m ³ /h]	Pressure [bar]	Product number
	Type	P2 [kW]				
BMP 0.2	MG	1.5	700 - 1800	0.2	10 - 100	96126060
BMP 0.4	MG	2.2	700 - 1800	0.4	10 - 140	96126061
BMP 0.6	MG	4.0	700 - 1800	0.6	10 - 140	96126062
BMP 1.0	MMG	7.5	700 - 1800	1.0	10 - 160	96126063
BMP 1.2	MMG	7.5	700 - 1800	1.2	10 - 160	96126064
BMP 2.5	MMG	15.0	700 - 1800	2.5	10 - 160	96126065
BMP 3.2	MMG	18.5	700 - 1800	3.2	10 - 160	96126066
BMP 6.2	MMG	37.0	700 - 1800	6.2	10 - 160	96126068
BMP 7.0	MMG	45.0	700 - 1800	7.0	10 - 160	96126069
BMP 8.0	MMG	45.0	700 - 1800	8.0	10 - 160	96126070

BMP-N

Pump type	Motor		Speed of rotation [min ⁻¹]	Max. flow [m ³ /h]	Pressure [bar]	Product number
	Type	P2 [kW]				
BMP 0.3 N	MG	1.5	1000 - 3000	0.3	10 - 100	96125960
BMP 0.6 N	MG	2.2	1000 - 3000	0.6	10 - 100	96125961
BMP 1.0 N	MG	4.0	1000 - 3000	1.0	10 - 100	96125962
BMP 1.7 N	MMG	11.0	1000 - 3000	1.7	10 - 140	96125963
BMP 2.1 N	MMG	15.0	1000 - 3000	2.1	10 - 140	96125964
BMP 3.4 N	MMG	18.5	1000 - 2400	3.4	10 - 140	96125965
BMP 4.4 N	MMG	22.0	1000 - 2400	4.4	10 - 140	96125966
BMP 6.2 N	MMG	37.0	1000 - 1800	6.2	10 - 140	96125967
BMP 7.0 N	MMG	37.0	1000 - 1800	7.0	10 - 140	96125968
BMP 8.0 N	MMG	45.0	1000 - 1800	8.0	10 - 140	96125969

BMP-R

Pump type	Motor		Speed of rotation [min ⁻¹]	Max. flow [m ³ /h]	Pressure [bar]	Product number
	Type	P2 [kW]				
BMP 0.6 R	MG	2.2	700 - 3000	0.6	10 - 80	96126160
BMP 1.0 R	MG	4.0	700 - 3000	1.0	10 - 80	96126161
BMP 1.8 R	MG	5.5	700 - 3000	1.8	10 - 80	96126162
BMP 2.2 R	MG	7.5	700 - 3000	2.2	10 - 80	96126163
BMP 5.1 R	MMG	15.0	700 - 1800	5.1	10 - 80	96126164
BMP 6.5 R	MMG	18.5	700 - 1800	6.5	10 - 80	96126165
BMP 7.2 R	MMG	22.0	700 - 1800	7.2	10 - 80	96126166
BMP 8.2 R	MMG	22.0	700 - 1800	8.2	10 - 80	96126167
BMP 10.2 R	MMG	30.0	700 - 1800	10.2	10 - 80	96126168

BMPE, -N, -R, cURus

3 x 380-500 V, 60 Hz

BMPE

Pump type	Motor		Frequency converter	Speed of rotation [min ⁻¹]	Max. flow [m ³ /h]	Pressure [bar]	Product number
	Type	P2 [kW]					
BMPE 0.2	MG	1.5	VLT 5003 (1.5 kW)	700 - 1800	0.2	10 - 100	96126051
BMPE 0.4	MG	2.2	VLT 5004 (2.2 kW)	700 - 1800	0.4	10 - 140	96126052
BMPE 0.6	MG	4.0	VLT 5006 (4.0 kW)	700 - 1800	0.6	10 - 140	96126053
BMPE 1.0	MMG	7.5	VLT 5011 (7.5 kW)	700 - 1800	1.0	10 - 160	96126054
BMPE 1.2	MMG	7.5	VLT 5011 (7.5 kW)	700 - 1800	1.2	10 - 160	96126055
BMPE 2.5	MMG	15.0	VLT 5022 (15.0 kW)	700 - 1800	2.5	10 - 160	96126056
BMPE 3.2	MMG	18.5	VLT 5027 (18.5 kW)	700 - 1800	3.2	10 - 160	96126057
BMPE 6.2	MMG	37.0	VLT 5052 (37.0 kW)	700 - 1800	6.2	10 - 160	96126059
BMPE 7.0	MMG	45.0	VLT 5062 (45.0 kW)	700 - 1800	7.0	10 - 160	96126071
BMPE 8.0	MMG	45.0	VLT 5062 (45.0 kW)	700 - 1800	8.0	10 - 160	96126072

BMPE-N

Pump type	Motor		Frequency converter	Speed of rotation [min ⁻¹]	Max. flow [m ³ /h]	Pressure [bar]	Product number
	Type	P2 [kW]					
BMPE 0.3 N	MG	1.5	VLT 5003 (1.5 kW)	1000 - 3000	0.3	10 - 100	96125950
BMPE 0.6 N	MG	2.2	VLT 5004 (2.2 kW)	1000 - 3000	0.6	10 - 100	96125951
BMPE 1.0 N	MG	4.0	VLT 5006 (4.0 kW)	1000 - 3000	1.0	10 - 100	96125952
BMPE 1.7 N	MMG	11.0	VLT 5016 (11.0 kW)	1000 - 3000	1.7	10 - 140	96125953
BMPE 2.1 N	MMG	15.0	VLT 5016 (11.0 kW)	1000 - 3000	2.1	10 - 140	96125954
BMPE 3.4 N	MMG	18.5	VLT 5022 (15.0 kW)	1000 - 2400	3.4	10 - 140	96125955
BMPE 4.4 N	MMG	22.0	VLT 5032 (22.0 kW)	1000 - 2400	4.4	10 - 140	96125956
BMPE 6.2 N	MMG	37.0	VLT 5052 (37.0 kW)	1000 - 1800	6.2	10 - 140	96125957
BMPE 7.0 N	MMG	37.0	VLT 5052 (37.0 kW)	1000 - 1800	7.0	10 - 140	96125958
BMPE 8.0 N	MMG	45.0	VLT 5062 (45.0 kW)	1000 - 1800	8.0	10 - 140	96125959

BMPE-R

Pump type	Motor		Frequency converter	Speed of rotation [min ⁻¹]	Max. flow [m ³ /h]	Pressure [bar]	Product number
	Type	P2 [kW]					
BMPE 0.6 R	MG	2.2	VLT 5004 (2.2 kW)	700 - 3000	0.6	10 - 80	96126150
BMPE 1.0 R	MG	4.0	VLT 5006 (4.0 kW)	700 - 3000	1.0	10 - 80	96126151
BMPE 1.8 R	MG	5.5	VLT 5008 (5.5 kW)	700 - 3000	1.8	10 - 80	96126152
BMPE 2.2 R	MG	7.5	VLT 5011 (7.5 kW)	700 - 3000	2.2	10 - 80	96126153
BMPE 5.1 R	MMG	15.0	VLT 5022 (15.0 kW)	700 - 1800	5.1	10 - 80	96126154
BMPE 6.5 R	MMG	18.5	VLT 5027 (18.5 kW)	700 - 1800	6.5	10 - 80	96126155
BMPE 7.2 R	MMG	22.0	VLT 5032 (22.0 kW)	700 - 1800	7.2	10 - 80	96126156
BMPE 8.2 R	MMG	22.0	VLT 5032 (22.0 kW)	700 - 1800	8.2	10 - 80	96126157
BMPE 10.2 R	MMG	30.0	VLT 5042 (30.0 kW)	700 - 1800	10.2	10 - 80	96126158

BMP, -N, -R, IEC, Japan

3 x 200-220 V D/346-380 V Y, 50 Hz

3 x 200-230 V D/346-400 V Y, 60 Hz

BMP

Pump type	Motor		Speed of rotation [min ⁻¹]	Max. flow [m ³ /h]	Pressure [bar]	Product number
	Type	P2 [kW]				
BMP 0.2	MG	1.5	700 - 1800	0.2	10 - 100	96126080*
BMP 0.4	MG	2.2	700 - 1800	0.4	10 - 140	96126081*
BMP 0.6	MG	4.0	700 - 1800	0.6	10 - 140	96126082*
BMP 1.0	MMG	7.5	700 - 1800	1.0	10 - 160	96126083
BMP 1.2	MMG	7.5	700 - 1800	1.2	10 - 160	96126084
BMP 2.5	MMG	15	700 - 1800	2.5	10 - 160	96126085
BMP 3.2	MMG	18.5	700 - 1800	3.2	10 - 160	96126086
BMP 6.2	MMG	37.0	700 - 1800	6.2	10 - 160	96126088
BMP 7.0	MMG	45.0	700 - 1800	7.0	10 - 160	96126089
BMP 8.0	MMG	45.0	700 - 1800	8.0	10 - 160	96126090

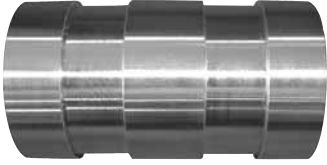
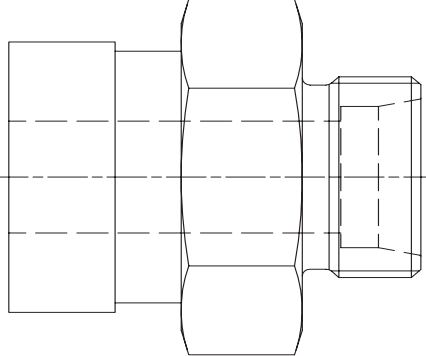


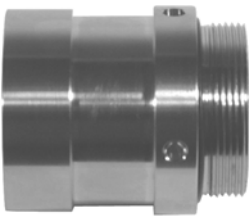
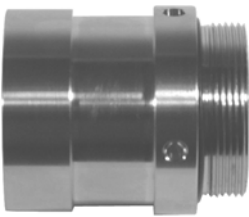

BMP-N

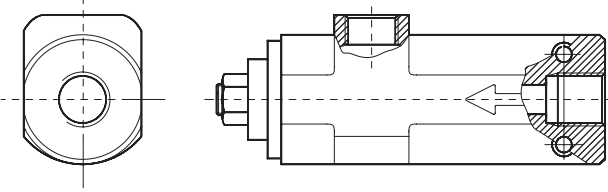


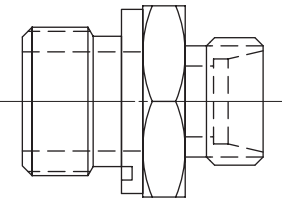
Pump type	Motor		Speed of rotation [min ⁻¹]	Max. flow [m ³ /h]	Pressure [bar]	Product number
	Type	P2 [kW]				
BMP 0.3 N	MG	1.5	1000 - 3000	0.3	10 - 100	96125980*
BMP 0.6 N	MG	3.0	1000 - 3000	0.6	10 - 100	96125981*
BMP 1.0 N	MG	4.0	1000 - 3000	1.0	10 - 100	96125982*
BMP 1.7 N	MMG	11.0	1000 - 3000	1.7	10 - 140	96125983
BMP 2.1 N	MMG	15.0	1000 - 3000	2.1	10 - 140	96125984
BMP 3.4 N	MMG	18.5	1000 - 2400	3.4	10 - 140	96125985
BMP 4.4 N	MMG	22.0	1000 - 2400	4.4	10 - 140	96125986
BMP 6.2 N	MMG	37.0	1000 - 1800	6.2	10 - 140	96125987
BMP 7.0 N	MMG	37.0	1000 - 1800	7.0	10 - 140	96125988
BMP 8.0 N	MMG	45.0	1000 - 1800	8.0	10 - 140	96125989

BMP-R

Pump type	Motor		Speed of rotation [min ⁻¹]	Max. flow [m ³ /h]	Pressure [bar]	Product number
	Type	P2 [kW]				
BMP 0.6 R	MG	2.2	700 - 3000	0.6	10 - 80	96126180*
BMP 1.0 R	MG	4.0	700 - 3000	1.0	10 - 80	96126181*
BMP 1.8 R	MG	5.5	700 - 3000	1.8	10 - 80	96126182*
BMP 2.2 R	MG	7.5	700 - 3000	2.2	10 - 80	96126183*
BMP 5.1 R	MMG	15.0	700 - 1800	5.1	10 - 80	96126184
BMP 6.5 R	MMG	18.5	700 - 1800	6.5	10 - 80	96126185
BMP 7.2 R	MMG	22.0	700 - 1800	7.2	10 - 80	96126186
BMP 8.2 R	MMG	22.0	700 - 1800	8.2	10 - 80	96126187
BMP 10.2 R	MMG	30.0	700 - 1800	10.2	10 - 80	96126188

* Not available for 3 x 400 V, 50 Hz. Please see "BMP, -N, -R, IEC, 50/60 Hz" on page 10 when ordering.

Component	Description	Part no.
	<p>TM02 9388 2504</p> <p>Non-return valve PJE 1½"</p> <ul style="list-style-type: none"> • PJE 1½" to 1½" • Material: Stainless steel (DIN 1.4462) • Max. pressure: 70 bar (1000 psi) • Rated flow: 170 l/min. (45 GPM) • Opening pressure: 0.5 bar (8 psi) • Pressure loss: 2 bar (30 psi) 	96126210
	<p>TM02 9392 2504</p> <p>Adapter</p> <ul style="list-style-type: none"> • PJE 1½" - GE 25 SR • Material: Stainless steel (DIN 1.4462) 	96126211
	<p>TM02 9391 2504</p> <p>High-pressure hose, PJE 2" - L = 1000 mm</p> <ul style="list-style-type: none"> • Material: Stainless steel (DIN 1.4462) 	96126212
	<p>High-pressure hose, PJE 2" - L = 500 mm</p> <ul style="list-style-type: none"> • Material: Stainless steel (DIN 1.4462) 	96126213
	<p>TM02 9448 2604</p> <p>Socket 2", short</p> <ul style="list-style-type: none"> • PJE 2" high-pressure fitting for pump (short) • Material: Stainless steel (DIN 1.4462) 	96551132
	<p>Socket 2", long</p> <ul style="list-style-type: none"> • PJE 2" high-pressure fitting for pump (long) 	96551133
	<p>TM02 9387 2504</p> <p>Adapter from PJE to LP hose</p> <ul style="list-style-type: none"> • Socket PJE 1½" to ø50 • Material: Stainless steel (DIN 1.4462) 	96551134

Component	Description	Part no.
	Pressure relief valve • Operating range: 25-140 bar/max. 1.8 m ³ /h • Material: Stainless steel (DIN 1.4301) • Thread size: G 3/8	96125890
	Pressure relief valve • Operating range: 25-80 bar/max. 3.6 m ³ /h • Material: Stainless steel (DIN 1.4301) • Thread size: G ½	96125891
	Pressure relief valve • Operating range: 80-140 bar/max. 3.6 m ³ /h • Material: Stainless steel (DIN 1.4301) • Thread size: G ½	96125892
	Pressure relief valve • Operating range: 25-80 bar/max. 7.2 m ³ /h • Material: Stainless steel (DIN 1.4301) • Thread size: G ¾	96125893
	Pressure relief valve • Operating range: 80-140 bar/max. 7.2 m ³ /h • Material: Stainless steel (DIN 1.4301) • Thread size: G ¾	96125894
	High-pressure hose, GE 12 - L = 500 mm • Material: Stainless steel (DIN 1.4462)	96126199
	High-pressure hose, GE 12- L = 1000 mm • Material: Stainless steel (DIN 1.4462)	96126200
	High-pressure hose, GE 25 - L = 500 mm • Material: Stainless steel (DIN 1.4462)	96126201
	High-pressure hose, GE 25 - L = 1000 mm • Material: Stainless steel (DIN 1.4462)	96126202
	High-pressure hose, PJE 1½" - L = 500 mm	96126203
	High-pressure hose, PJE 1½" - L = 1000 mm	96126204
	Male stud connector • G ¾ to GE 12	96126217
	Male stud connector • G 3/8 to GE 12	96126218
	Male stud connector • G ½ to GE 12	96126219
	Male stud connector • G ¾ to GE 12	96126220
	Male stud connector • G ¾ to GE 25	96126221
	Male stud connector • G 1¼ to GE 25	96126222
Male stud connector: • G 1½ to GE 25	96126223	

Note: Tubes and parts for tubes of stainless steel DIN 1.4571 and DIN 1.4541 are available on request.

BMP, -N, -R, IEC, 50/60 Hz

Technical data for BMPE, see BMP data. Regarding VLT dimensions and weights, see table page 23.

BMP, 3 x 380-415 V, 50 Hz

Pump type	P2		Motor			Max. flow [m ³ /h]	Pressure [bar]	Weight		Shipping volume [m ³]
	[kW]	[hp]	I _N [A]	Number of poles	cos φ			Net [kg]	Gross [kg]	
BMP 0.2	1.5	2.0	3.60	4	0.75	0.2	10 - 100	31	41	0.134
BMP 0.4	2.2	3.0	4.90	4	0.78	0.4	10 - 140	36	46	0.134
BMP 0.6	4.0	5.5	8.90	4	0.78	0.6	10 - 140	50	60	0.134
BMP 1.0	7.5	10.0	15.0	4	0.84	1.0	10 - 160	82	92	0.162
BMP 1.2	7.5	10.0	15.0	4	0.84	1.2	10 - 160	82	107	0.162
BMP 2.5	15.0	20.0	29.5	4	0.84	2.5	10 - 160	117	142	0.349
BMP 3.2	18.5	25.0	36.0	4	0.84	3.2	10 - 160	146	201	0.349
BMP 6.2	37.0	50.0	70.5	4	0.84	6.2	10 - 160	261	396	0.349
BMP 7.0	45.0	60.0	84.5	4	0.86	7.0	10 - 160	321	436	0.349
BMP 8.0	45.0	60.0	84.5	4	0.86	8.0	10 - 160	361	436	0.521

BMP-N, 3 x 380-415 V, 50 Hz

Pump type	P2		Motor			Max. flow [m ³ /h]	Pressure [bar]	Weight		Shipping volume [m ³]
	[kW]	[hp]	I _N [A]	Number of poles	cos φ			Net [kg]	Gross [kg]	
BMP 0.3 N	1.5	2.0	3.15	2	0.82	0.3	10 - 100	23	33	0.134
BMP 0.6 N	2.2	3.0	4.45	2	0.89	0.6	10 - 100	29	39	0.134
BMP 1.0 N	4.0	5.5	8.0	2	0.86	1.0	10 - 100	42	52	0.134
BMP 1.7 N	11.0	15.0	21.0	2	0.86	1.7	10 - 140	103	158	0.349
BMP 2.1 N	11.0	15.0	21.0	2	0.86	2.1	10 - 140	103	158	0.349
BMP 3.4 N	15.0	20.0	29.5	4	0.84	3.4	10 - 140	125	180	0.349
BMP 4.4 N	22.0	30.0	36.0	4	0.84	4.4	10 - 140	164	219	0.349
BMP 6.2 N	37.0	50.0	70.5	4	0.84	6.2	10 - 140	337	412	0.521
BMP 7.0 N	37.0	50.0	70.5	4	0.84	7.0	10 - 140	337	412	0.521
BMP 8.0 N	45.0	60.0	84.5	4	0.86	8.0	10 - 140	377	452	0.521

BMP-R, 3 x 380-415 V, 50 Hz

Pump type	P2		Motor			Max. flow [m ³ /h]	Pressure [bar]	Weight		Shipping volume [m ³]
	[kW]	[hp]	I _N [A]	Number of poles	cos φ			Net [kg]	Gross [kg]	
BMP 0.6 R	2.2	3.0	4.45	2	0.89	0.6	10 - 80	29	39	0.134
BMP 1.0 R	3.0	4.0	6.30	2	0.85	1.0	10 - 80	30	40	0.134
BMP 1.8 R	5.5	7.5	11.2	2	0.86	1.8	10 - 80	55	65	0.162
BMP 2.2 R	5.5	7.5	11.2	2	0.86	2.2	10 - 80	55	65	0.162
BMP 5.1 R	15.0	20.0	29.5	4	0.84	5.1	10 - 80	139	194	0.349
BMP 6.5 R	18.5	25.0	36.0	4	0.84	6.5	10 - 80	168	223	0.349
BMP 7.2 R	22.0	30.0	36.0	4	0.84	7.2	10 - 80	178	233	0.521
BMP 8.2 R	22.0	30.0	36.0	4	0.84	8.2	10 - 80	178	233	0.521
BMP 10.2 R	30.0	40.0	58.5	4	0.84	10.2	10 - 80	272	347	0.521

BMP, 3 x 380-480 V, 60 Hz

Pump type	P2		Motor			Max. flow [m ³ /h]	Pressure [bar]	Weight		Shipping volume [m ³]
	[kW]	[hp]	I _N [A]	Number of poles	cos φ			Net [kg]	Gross [kg]	
BMP 0.2	1.5	2.0	3.30 - 2.95	4	0.86 - 0.75	0.2	10 - 100	31	41	0.134
BMP 0.4	2.2	3.0	4.60 - 4.45	4	0.89 - 0.70	0.4	10 - 140	36	46	0.134
BMP 0.6	4.0	5.5	8.20 - 7.30	4	0.86 - 0.77	0.6	10 - 140	50	60	0.134
BMP 1.0	7.5	10.0	15.0 - 12.5	4	0.86 - 0.80	1.0	10 - 160	82	92	0.162
BMP 1.2	7.5	10.0	15.0 - 12.5	4	0.86 - 0.80	1.2	10 - 160	82	107	0.162
BMP 2.5	15.0	20.0	29.0 - 24.0	4	0.86 - 0.80	2.5	10 - 160	117	142	0.349
BMP 3.2	18.5	25.0	35.5 - 29.5	4	0.86 - 0.81	3.2	10 - 160	146	201	0.349
BMP 6.2	37.0	50.0	69.0 - 58.0	4	0.87 - 0.81	6.2	10 - 160	261	396	0.349
BMP 7.0	45.0	60.0	85.0 - 68.0	4	0.86 - 0.85	7.0	10 - 160	321	436	0.349
BMP 8.0	45.0	60.0	85.0 - 68.0	4	0.86 - 0.85	8.0	10 - 160	361	436	0.521

BMP-N, 3 x 380-480 V, 60 Hz

Pump type	P2		Motor			Max. flow [m ³ /h]	Pressure [bar]	Weight		Shipping volume [m ³]
	[kW]	[hp]	I _N [A]	Number of poles	cos φ			Net [kg]	Gross [kg]	
BMP 0.3 N	1.5	2.0	3.10 - 2.70	2	0.90 - 0.81	0.3	10 - 100	23	33	0.134
BMP 0.6 N	2.2	3.0	4.45 - 3.70	2	0.91 - 0.85	0.6	10 - 100	29	39	0.134
BMP 1.0 N	4.0	5.5	8.60 - 8.60	2	0.90 - 0.82	1.0	10 - 100	42	52	0.134
BMP 1.7 N	7.5	10.0	21.0 - 17.5	2	0.90 - 0.83	1.7	10 - 140	103	158	0.349
BMP 2.1 N	7.5	10.0	21.0 - 17.5	2	0.90 - 0.83	2.1	10 - 140	103	158	0.349
BMP 3.4 N	15.0	20.0	29.0 - 24.0	4	0.86 - 0.80	3.4	10 - 140	125	180	0.349
BMP 4.4 N	18.5	25.0	35.5 - 29.5	4	0.86 - 0.81	4.4	10 - 140	164	219	0.349
BMP 6.2 N	30.0	40.0	69.0 - 58.0	4	0.87 - 0.81	6.2	10 - 140	337	412	0.521
BMP 7.0 N	37.0	50.0	69.0 - 58.0	4	0.87 - 0.81	7.0	10 - 140	337	412	0.521
BMP 8.0 N	45.0	60.0	85.0 - 68.0	4	0.86 - 0.85	8.0	10 - 140	377	452	0.521

BMP-R, 3 x 380-480 V, 60 Hz

Pump type	P2		Motor			Max. flow [m ³ /h]	Pressure [bar]	Weight		Shipping volume [m ³]
	[kW]	[hp]	I _N [A]	Number of poles	cos φ			Net [kg]	Gross [kg]	
BMP 0.6 R	2.2	3.0	4.45 - 3.70	2	0.91 - 0.85	0.6	10 - 80	29	39	0.134
BMP 1.0 R	3.0	4.0	6.30 - 5.10	2	0.89 - 0.81	1.0	10 - 80	30	40	0.134
BMP 1.8 R	5.5	7.5	10.8 - 9.45	2	0.90 - 0.82	1.8	10 - 80	55	65	0.162
BMP 2.2 R	5.5	7.5	10.8 - 9.45	2	0.90 - 0.82	2.2	10 - 80	55	65	0.162
BMP 5.1 R	15.0	20.0	29.0 - 24.0	4	0.86 - 0.80	5.1	10 - 80	139	194	0.349
BMP 6.5 R	18.5	25.0	35.5 - 29.5	4	0.86 - 0.81	6.5	10 - 80	168	223	0.349
BMP 7.2 R	22.0	30.0	35.5 - 29.5	4	0.86 - 0.81	7.2	10 - 80	178	233	0.521
BMP 8.2 R	22.0	30.0	35.5 - 29.5	4	0.86 - 0.81	8.2	10 - 80	178	233	0.521
BMP 10.2 R	30.0	40.0	58.0 - 47.5	4	0.86 - 0.81	10.2	10 - 80	272	347	0.521

BMP, -N, -R, cURus

Technical data for BMPE, see BMP data. Regarding VLT dimensions and weights, see table page 23.

BMP, 3 x 230/460 V, 60 Hz

Pump type	P2		Motor			Max. flow [m ³ /h]	Pressure [bar]	Weight		Shipping volume [m ³]
	[kW]	[hp]	I _N [A]	Number of poles	cos φ			Net [kg]	Gross [kg]	
BMP 0.2	1.5	2.0	6.2 / 5.8	4	0.81 / 0.75	0.2	10 - 140	31	41	0.134
BMP 0.4	2.2	3.0	8.9 / 4.9	4	0.83 / 0.73	0.4	10 - 140	36	46	0.134
BMP 0.6	4.0	5.0	14.6 / 7.9	4	0.85 / 0.73	0.6	10 - 140	50	60	0.134
BMP 1.0	7.5	10.0	24.8 / 12.4	4	0.84	1.0	10 - 160	82	92	0.162
BMP 1.2	7.5	10.0	24.8 / 12.4	4	0.84	1.2	10 - 160	82	107	0.162
BMP 2.5	15.0	20.0	48.0 / 24.0	4	0.84	2.5	10 - 160	117	142	0.349
BMP 3.2	18.5	25.0	58.0 / 29.0	4	0.83	3.2	10 - 160	146	201	0.349
BMP 6.2	37.0	50.0	120.0 / 60.0	4	0.85	6.2	10 - 160	261	396	0.349
BMP 7.0	45.0	60.0	144.0 / 72.0	4	0.85	7.0	10 - 160	321	436	0.349
BMP 8.0	45.0	60.0	144.0 / 72.0	4	0.84	8.0	10 - 160	361	436	0.521

BMP-N, 3 x 230/460 V, 60 Hz

Pump type	P2		Motor			Max. flow [m ³ /h]	Pressure [bar]	Weight		Shipping volume [m ³]
	[kW]	[hp]	I _N [A]	Number of poles	cos φ			Net [kg]	Gross [kg]	
BMP 0.3 N	1.5	2.0	5.6 / 3.0	2	0.89 / 0.74	0.3	10 - 100	23	33	0.134
BMP 0.6 N	3.0	4.0	10.6 / 6.2	2	0.90 / 0.74	0.6	10 - 100	29	39	0.134
BMP 1.0 N	4.0	5.0	13.2 / 6.9	2	0.91 / 0.86	1.0	10 - 100	42	52	0.134
BMP 1.7 N	11	10.0	34.6 / 17.3	2	0.88	1.7	10 - 140	103	158	0.349
BMP 2.1 N	15	10.0	47.0 / 23.5	2	0.84	2.1	10 - 140	103	158	0.349
BMP 3.4 N	18.5	25.0	58.0 / 29.0	4	0.83	3.4	10 - 140	125	180	0.349
BMP 4.4 N	22.0	30.0	73.0 / 36.5	4	0.84	4.4	10 - 140	164	219	0.349
BMP 6.2 N	37.0	50.0	120.0 / 60.0	4	0.85	6.2	10 - 140	337	412	0.521
BMP 7.0 N	37.0	50.0	120.0 / 60.0	4	0.85	7.0	10 - 140	337	412	0.521
BMP 8.0 N	45.0	60.0	144.0 / 72.0	4	0.85	8.0	10 - 140	377	452	0.521

BMP-R, 3 x 230/460 V, 60 Hz

Pump type	P2		Motor			Max. flow [m ³ /h]	Pressure [bar]	Weight		Shipping volume [m ³]
	[kW]	[hp]	I _N [A]	Number of poles	cos φ			Net [kg]	Gross [kg]	
BMP 0.6 R	2.2	3.0	7.8 / 4.1	2	0.88 / 0.83	0.6	10 - 80	29	39	0.134
BMP 1.0 R	4.0	5.0	13.2 / 6.9	2	0.91 / 0.86	1.0	10 - 80	30	40	0.134
BMP 1.8 R	5.5	7.5	18.2 / 9.4	2	0.91 / 0.86	1.8	10 - 80	55	65	0.162
BMP 2.2 R	7.5	10.0	25.0 / 13.3	2	0.90 / 0.82	2.2	10 - 80	55	65	0.162
BMP 5.1 R	15.0	20.0	48.0 / 24.0	4	0.84	5.1	10 - 80	139	194	0.349
BMP 6.5 R	18.5	25.0	58.0 / 29.0	4	0.83	6.5	10 - 80	168	223	0.349
BMP 7.2 R	22.0	30.0	73.0 / 36.5	4	0.84	7.2	10 - 80	178	233	0.521
BMP 8.2 R	22.0	30.0	73.0 / 36.5	4	0.84	8.2	10 - 80	178	233	0.521
BMP 10.2 R	30.0	40.0	98.0 / 49.0	4	0.82	10.2	10 - 80	272	347	0.521

BMP, -N, -R, IEC, Japan

3 x 200-220 D/346-380 V Y, 50 Hz

3 x 200-230 D/346-400 V Y, 60 Hz

BMP

Pump type	P2		Motor		Number of poles	cos φ		Max. flow [m ³ /h]	Pressure [bar]	Weight		Shipping volume [m ³]
	[kW]	[hp]	I _N (50 Hz) [A]	I _N (60 Hz) [A]		50 Hz	60 Hz			Net [kg]	Gross [kg]	
	BMP 0.2	1.5	2.0	7.0 / 4.1		7.0 / 4.0	4			0.80 / 0.74	0.83 / 0.77	
BMP 0.4	2.2	3.0	10.0 / 5.8	9.9 / 5.7	4	0.80 / 0.73	0.83 / 0.75	0.4	10 - 140	36	46	0.134
BMP 0.6	4.0	5.0	16.8 / 9.8	16.4 / 9.5	4	0.82 / 0.76	0.85 / 0.78	0.6	10 - 140	50	60	0.134
BMP 1.0	7.5	10.0	30.0 / 17.5	29.0 / 15.0	4	0.84	0.86 / 0.84	1.0	10 - 160	82	92	0.162
BMP 1.2	7.5	10.0	30.0 / 17.5	29.0 / 15.0	4	0.84	0.86 / 0.84	1.2	10 - 160	82	107	0.162
BMP 2.5	15.0	20.0	60.0 / 30.0	59.0 / 29.5	4	0.85	0.87	2.5	10 - 160	117	142	0.349
BMP 3.2	18.5	25.0	74.0 / 37.0	73.0 / 36.5	4	0.85	0.87	3.2	10 - 160	146	201	0.349
BMP 6.2	37.0	50.0	141 / 70.5	141 / 70.5	4	0.86	0.87	6.2	10 - 160	261	396	0.349
BMP 7.0	45.0	60.0	160 / 80.0	162 / 81.0	4	0.87	0.87	7.0	10 - 160	321	436	0.349
BMP 8.0	45.0	60.0	160 / 80.0	162 / 81.0	4	0.87	0.87	8.0	10 - 160	361	436	0.521

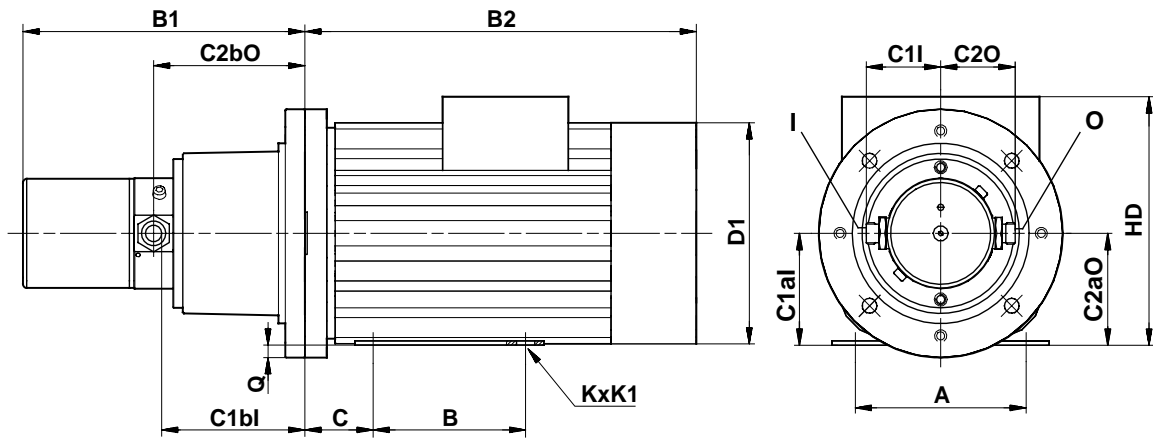
BMP-N

Pump type	P2		Motor		Number of poles	cos φ		Max. flow [m ³ /h]	Pressure [bar]	Weight		Shipping volume [m ³]
	[kW]	[hp]	I _N (50 Hz) [A]	I _N (60 Hz) [A]		50 Hz	60 Hz			Net [kg]	Gross [kg]	
	BMP 0.3 N	1.5	2.0	6.5 / 3.8		6.25 / 3.60	2			0.85 / 0.79	0.89 / 0.82	
BMP 0.6 N	3.0	4.0	11.8 / 6.9	11.6 / 6.70	2	0.88 / 0.82	0.90 / 0.86	0.6	10 - 100	29	39	0.134
BMP 1.0 N	4.0	5.0	15.2 / 8.8	15.0 / 8.60	2	0.90 / 0.87	0.92 / 0.88	1.0	10 - 100	42	52	0.134
BMP 1.7 N	11.0	18.5	44.0 / 22.0	41.0 / 20.5	2	0.85	0.89	1.7	10 - 140	103	158	0.349
BMP 2.1 N	15.0	20.0	59.0 / 29.5	55.0 / 27.5	2	0.85	0.9	2.1	10 - 140	103	158	0.349
BMP 3.4 N	18.5	25.0	74.0 / 37.0	73.0 / 36.5	2	0.85	0.87	3.4	10 - 140	125	180	0.349
BMP 4.4 N	22.0	30.0	87.0 / 43.5	86.0 / 43.0	4	0.85	0.87	4.4	10 - 140	164	219	0.349
BMP 6.2 N	37.0	50.0	141 / 70.5	141 / 70.5	4	0.86	0.87	6.2	10 - 140	337	412	0.521
BMP 7.0 N	37.0	50.0	141 / 70.5	141 / 70.5	4	0.86	0.87	7.0	10 - 140	337	412	0.521
BMP 8.0 N	45.0	60.0	160 / 80.0	162 / 81.0	4	0.87	0.87	8.0	10 - 140	377	452	0.521

BMP-R

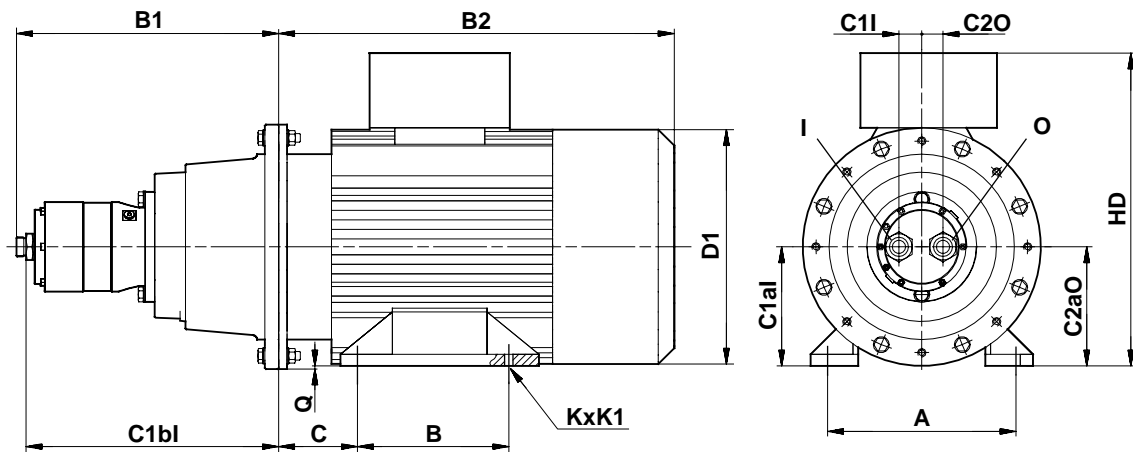
Pump type	P2		Motor		Number of poles	cos φ		Max. flow [m ³ /h]	Pressure [bar]	Weight		Shipping volume [m ³]
	[kW]	[hp]	I _N (50 Hz) [A]	I _N (60 Hz) [A]		50 Hz	60 Hz			Net [kg]	Gross [kg]	
	BMP 0.6 R	2.2	3.0	9.5 / 5.2		8.9 / 5.1	2			0.87 / 0.82	0.90 / 0.85	
BMP 1.0 R	4.0	5.0	15.2 / 8.8	15.0 / 8.6	2	0.90 / 0.87	0.92 / 0.88	1.0	10 - 80	30	40	0.134
BMP 1.8 R	5.5	7.5	21.0 / 12.0	20.6 / 11.8	2	0.89 / 0.86	0.92 / 0.88	1.8	10 - 80	55	65	0.162
BMP 2.2 R	7.5	10.0	29.0 / 16.8	27.5 / 16.0	2	0.87 / 0.81	0.92 / 0.85	2.2	10 - 80	55	65	0.162
BMP 5.1 R	15.0	20.0	60.0 / 30.0	59.0 / 29.5	4	0.85	0.87	5.1	10 - 80	139	194	0.349
BMP 6.5 R	18.5	25.0	74.0 / 37.0	73.0 / 36.5	4	0.85	0.87	6.5	10 - 80	168	223	0.349
BMP 7.2 R	22.0	30.0	87.0 / 43.5	86.0 / 43.0	4	0.85	0.87	7.2	10 - 80	178	233	0.521
BMP 8.2 R	22.0	30.0	87.0 / 43.5	86.0 / 43.0	4	0.85	0.87	8.2	10 - 80	178	233	0.521
BMP 10.2 R	30.0	40.0	118 / 59.0	118 / 59.0	4	0.85	0.86	10.2	10 - 80	272	347	0.521

Dimensions, BMP



TM02 9103 1804

Fig. 11 Dimensional sketch of BMP pump, suction port (I) and discharge port (O) placed on the sides (side suction)



TM02 9209 7204

Fig. 12 Dimensional sketch of BMP pump, suction port (I) and discharge port (O) placed on the front (end suction)

Dimensions refer to the dimensional sketches on page 21.

Pump type	Dimensions [mm]															K x K1	I	O
	B1	B2	B1 + B2	C1I	C2O	C1aI	C2aO	C1bI	C2bO	D1	HD	A	B	C	Q			
BMP 0.2	230	281	511	55	56	73	110	122	128	180	238	140	125	56	10	ø8x15	GE 12	GE 12
BMP 0.4	230	335	565	55	56	83	120	122	128	196	255	160	140	63	25	ø10x17	GE 12	GE 12
BMP 0.6	250	372	622	55	56	95	132	142	148	225	283	190	140	70	13	ø10x19	GE 12	GE 12
BMP 1.0	304	391	695	64	65	114	153	169	172	276	330	216	178	89	18	ø10x14	GE 12	GE 12
BMP 1.2	304	391	695	64	65	114	153	169	172	276	330	216	178	89	18	ø10x14	GE 12	GE 12
BMP 2.5	419	547	966	29	32	160	160	402	402	335	410	254	254	108	15	ø12x14	GE 25	GE 25
BMP 3.2	435	602	1037	29	32	180	180	418	418	366	465	279	241	121	0	ø12x18	GE 25	GE 25
BMP 6.2	502	748	1250	40	43	225	225	488	485	463	585	256	286	149	0	ø16x16	GE 25	GE 25
BMP 7.0	502	748	1250	40	43	225	225	488	485	463	585	256	311	149	0	ø16x16	GE 25	GE 25
BMP 8.0	502	748	1250	40	43	225	225	488	485	463	585	256	311	149	0	ø16x16	GE 25	GE 25

Pump type	Dimensions [mm]															K x K1	I	O
	B1	B2	B1 + B2	C1I	C2O	C1aI	C2aO	C1bI	C2bO	D1	HD	A	B	C	Q			
BMP 0.3 N	230	281	511	55	56	73	110	122	128	180	238	140	100	56	10	ø8x15	GE 12	GE 12
BMP 0.6 N	250	281	531	55	56	73	110	142	148	180	238	140	125	56	10	ø8x15	GE 12	GE 12
BMP 1.0 N	250	372	622	55	56	95	132	142	148	225	283	190	140	70	13	ø10x19	GE 12	GE 12
BMP 1.7 N	364	503	867	64	65	142	181	229	232	335	410	254	210	108	15	ø12x14	GE 12	GE 12
BMP 2.1 N	364	503	867	64	65	142	181	229	232	335	410	254	210	108	15	ø12x14	GE 12	GE 12
BMP 3.4 N	398	547	945	29	32	160	160	381	381	335	410	254	254	108	15	ø12x14	GE 25	GE 25
BMP 4.4 N	414	602	1016	29	32	180	180	397	381	366	465	279	279	121	0	ø12x18	GE 25	GE 25
BMP 6.2 N	502	748	1250	40	43	225	225	488	485	463	585	356	286	149	0	ø16x16	GE 25	GE 25
BMP 7.0 N	502	748	1250	40	43	225	225	488	485	463	585	356	286	149	0	ø16x16	GE 25	GE 25
BMP 8.0 N	502	748	1250	40	43	225	225	488	485	463	585	356	311	149	0	ø16x16	GE 25	GE 25

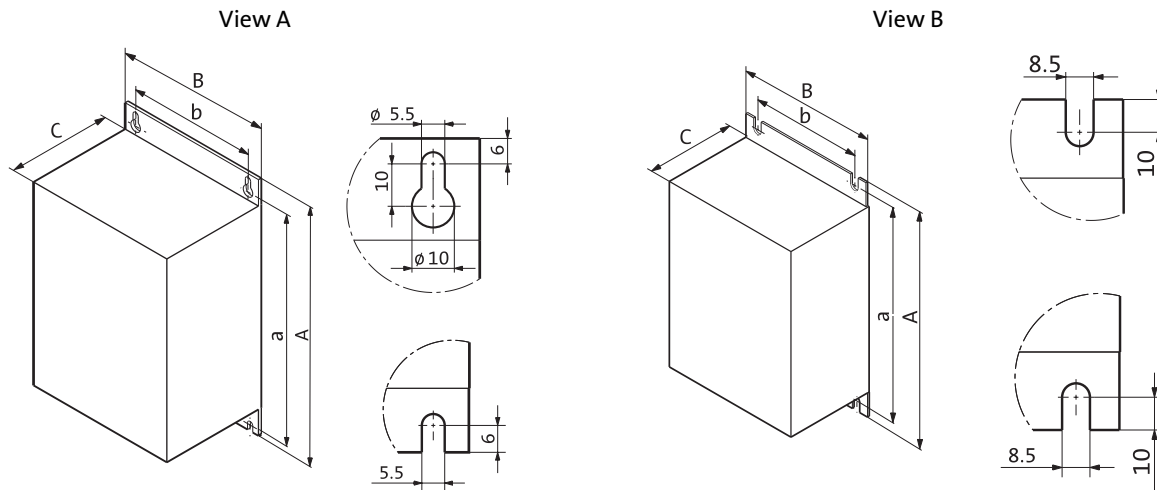
Pump type	Dimensions [mm]															K x K1	I	O
	B1	B2	B1 + B2	C1I	C2O	C1aI	C2O	C1bI	C2bO	D1	HD	A	B	C	Q			
BMP 0.6 R	230	281	511	55	55	90	90	116	116	180	238	140	125	56	10	ø8x15	GE 12	GE 12
BMP 1.0 R	250	335	585	55	55	100	100	146	146	196	255	160	140	63	25	ø10x17	GE 12	GE 12
BMP 1.8 R	306	391	697	64	64	132	132	163	165	276	330	216	140	89	18	ø10x14	GE 12	GE 12
BMP 2.2 R	306	391	697	64	64	132	132	163	165	276	330	216	140	89	18	ø10x14	GE 12	GE 12
BMP 5.1 R	497*	547	1044*	42*	43*	160				335	410	254	254	108	15	ø12x14	1½" PJE	1½" PJE
BMP 6.5 R	497*	602	1099*	42*	43*	180				366	465	279	241	121	0	ø12x18	1½" PJE	1½" PJE
BMP 7.2 R	497*	602	1099*	42*	43*	180				366	465	279	279	121	0	ø12x18	1½" PJE	1½" PJE
BMP 8.2 R	497*	602	1099*	42*	43*	180				366	465	279	279	121	0	ø12x18	1½" PJE	1½" PJE
BMP 10.2 R	497*	669	1166*	42*	43*	200				405	541	318	305	133	0	ø16x16	1½" PJE	1½" PJE

* Victaulic/PJE flange connection

Dimensions, BMPE

Dimensions of the BMPE pumps, see BMP dimensional sketches and tables on pages 21 and 22.

Dimensions, VLT:



TM02.9469.2604 & TM02.9470.2604

Fig. 13 Dimensional sketch of the VLT range

Pump type	View	Dimensions [mm]						Weight		Shipping volume [m ³]
		A	B	C	a	b	ab/be*	Net [kg]	Gross [kg]	
VLT 5003 (1.5 kW)	A	395	220	160	384	200	100	7.7	8.4	0.037
VLT 5004 (2.2 kW)		395	220	160	384	200	100	8.3	9.0	0.037
VLT 5005 (3.0 kW)		395	220	160	384	200	100	8.7	9.4	0.037
VLT 5006 (4.0 kW)		395	220	200	384	200	100	10.4	11.1	0.043
VLT 5008 (5.5 kW)		395	220	200	384	200	100	10.5	11.2	0.043
VLT 5011 (7.5 kW)		395	220	200	384	200	100	11.1	11.8	0.043
VLT 5016 (11.0 kW)		560	242	260	540	200	200	21.6	24.1	0.145
VLT 5022 (15.0 kW)	B	560	242	260	540	200	200	18.1	20.6	0.145
VLT 5027 (18.5 kW)		700	242	260	680	200	200	26.7	29.2	0.145
VLT 5032 (22.0 kW)		700	242	260	680	200	200	28.5	31.0	0.145
VLT 5042 (30.0 kW)		800	308	296	780	270	200	40.1	43.3	0.242
VLT 5052 (37.0 kW)		800	308	296	780	270	200	42.9	46.1	0.242
VLT 5062 (45.0 kW)		800	308	296	780	270	200	41.5	45.0	0.228

* ab: Minimum space above cabinet
 be: Minimum space below cabinet

L-BMP-PG-01 05/06 (US)
Subject to alterations

96552951 0604	GB

Subject to alterations.