



# ITT

BHSC

Commercial Water

## Goulds Pumps

HSC Multi-Stage  
Centrifugal Pump



### FEATURES

---

- **Multi-stage Design:** Provides steady, quiet and vibration-free operation for years of trouble-free service.
- **Impellers:** 20% glass-filled thermoplastic precision molded for high efficiencies.
- **Compact Design:** Close-coupled, space saving design provides easy installation. Flexible coupling and bedplate not required.
- **Mounting:** Can be mounted in vertical or horizontal position.
- **Stainless Steel Pump Shaft:** Hex design provides positive drive for impellers and eliminates clearance adjustments.
- **Corrosion Resistant:** Stainless steel wear rings and coverplates. Electro-coated paint process applied inside and out and then baked on.
- **O-rings:** Throughout for positive sealing.
- **Easy to Service:** Can be taken apart for service by removing four bolts.
- **Motor:** Close coupled design. Ball bearings carry all radial/axial thrust loads. Designed for continuous operation. All ratings are within working limits of the motor. Available from  $\frac{3}{4}$  – 3 HP.

 **GOULDS PUMPS**

Goulds Pumps is a brand of ITT Corporation.

[www.goulds.com](http://www.goulds.com)

*Engineered for life*

### AGENCY LISTING

---



Tested to UL778

### APPLICATIONS

Specifically designed for the following uses:

- Water circulation
- Booster service
- Liquid transfer
- Spraying systems
- Jockey pump service
- General purpose pumping

### SPECIFICATIONS

#### Pump

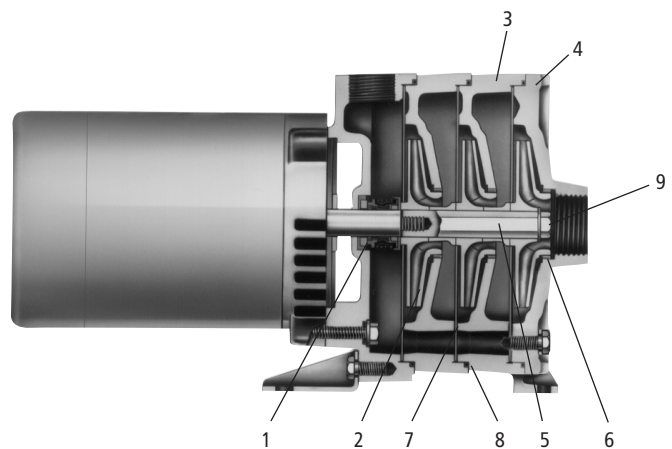
- Capacities: to 50 GPM
- Pressures: to 100 PSI (230 feet)
- Pipe connections: 1¼" suction, 1" discharge
- Temperatures: to 180°F (82°C) maximum
- Maximum working pressure: 125 PSI
- Rotation: right hand, ie; clockwise when viewed from motor end.

#### Motor

- NEMA standard  
¾ – 1½ HP, 115/230 V;  
2 and 3 HP, 230 V, 60 Hz.
- Single phase ODP (standard)
- Three phase available
- 3500 RPM, ODP motors standard
- Built-in overload with automatic reset
- Capacitor type
- Stainless steel shaft
- TEFC and Explosion-proof motors available. See price book.

### COMPONENTS

Item No.	Description
1	Mechanical seal
2	Impellers
3	Intermediate stage
4	Casing
5	Stainless steel hex shaft
6	Stainless steel wear rings
7	Stainless steel cover plates
8	O-ring seals
9	Impeller bolt and washer



### Single and Three Phase Models

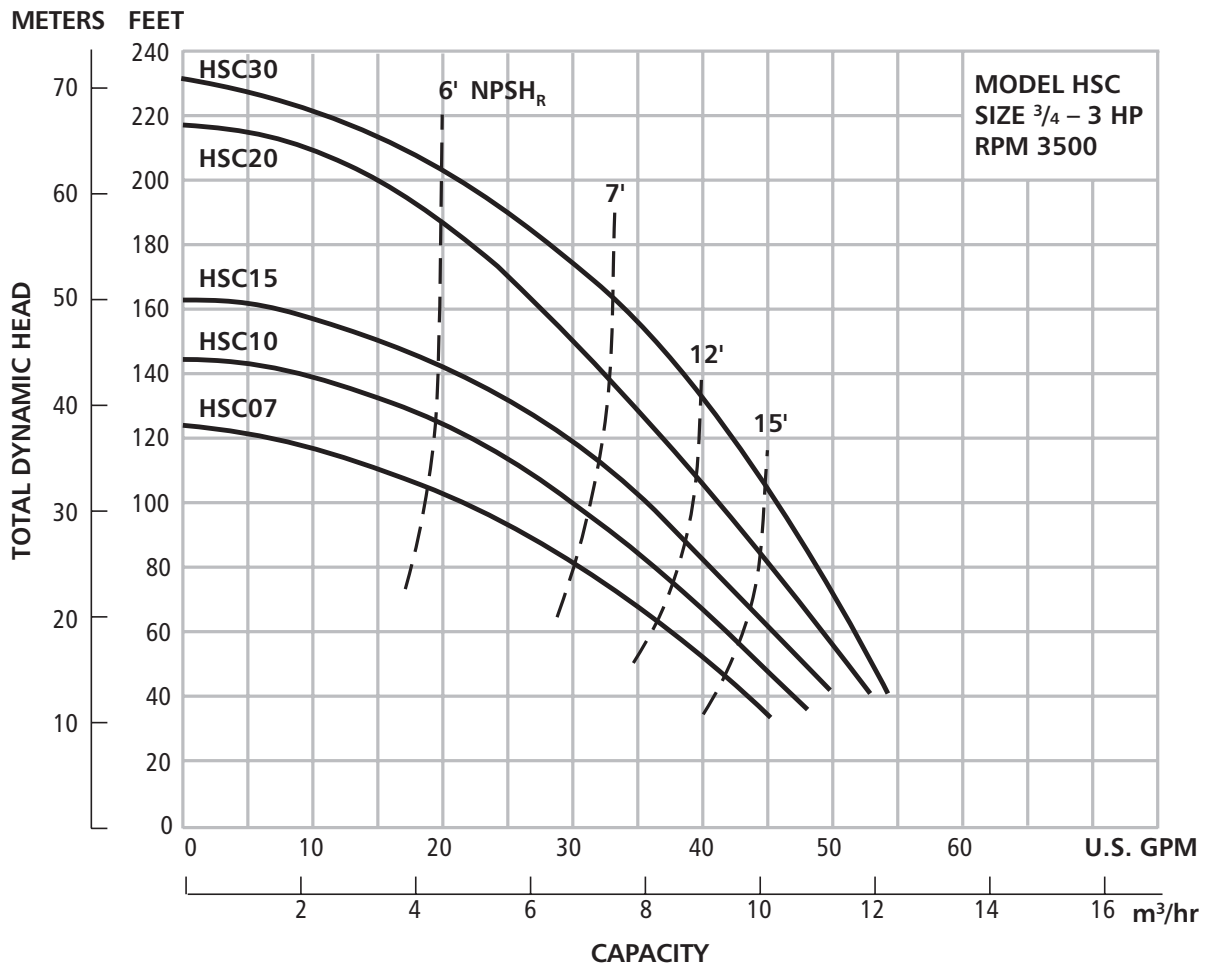
HP	Stages	Order Numbers — ODP Motor	
		1Ø Model	3Ø Model
¾	2	HSC07	HSC07B
1	2	HSC10	HSC10B
1½	2	HSC15	HSC15B
2	3	HSC20	HSC20B
3	3	HSC30	HSC30B

## DIMENSIONS AND WEIGHTS

Model	HP	Length	Width	Height	Weight (lbs.)
HSC07	¾	15	8	9	53
HSC10	1	16	8	9	58
HSC15	1½	17	8	9	72
HSC20	2	19.7	8	9	75
HSC30	3	19.1	8	9	85

(All dimensions are in inches and weight in lbs. Do not use for construction purposes.)

## PERFORMANCE CURVE



TO CONVERT FEET OF WATER TO PSI – DIVIDE FEET BY 2.31



**ITT**

**2881 East Bayard Street, Seneca Falls, NY 13148**

**Phone: (315) 568-7123 • Fax: (315) 568-7973**

**[www.goulds.com](http://www.goulds.com)**

Goulds Pumps is a registered trademark of ITT Corporation.  
ITT, the Engineered Blocks Symbol and Engineered for Life are  
registered trademarks of ITT Manufacturing Enterprises, Inc.

Copyright © 2011 ITT Corporation BHSC February, 2011 Printed in U.S.A.  
SPECIFICATIONS ARE SUBJECT TO CHANGE WITHOUT NOTICE.



*Engineered for life*