



ITT

B3886

Wastewater

Goulds Pumps

WS_B Series Model 3886

Submersible Sewage Pump

EXTENDED WARRANTY AVAILABLE FOR
RESIDENTIAL APPLICATIONS.



FEATURES

- **Impeller:** Cast iron, semi-open, dynamically balanced, non-clog with pump out vanes for mechanical seal protection. Optional Silicon bronze impeller available.
- **Casing:** Cast iron volute type for maximum efficiency. Designed for easy installation on A10-20 guide rail or base elbow rail systems.
- **Mechanical Seal:** SILICON CARBIDE VS. SILICON CARBIDE sealing faces for superior abrasive resistance, stainless steel metal parts, BUNA-N elastomers.
- **Shaft:** Corrosion-resistant stainless steel. Threaded design. Locknut on all models to guard against component damage on accidental reverse rotation.
- **Fasteners:** 300 series stainless steel.
- Capable of running dry without damage to components.
- Designed for continuous operation when fully submerged.

 **GOULDS PUMPS**

Goulds Pumps is a brand of ITT Corporation.

www.goulds.com

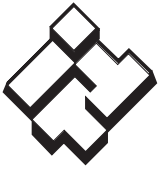
Engineered for life

AGENCY LISTINGS



Tested to UL 778 and CSA 22.2 108 Standards
By Canadian Standards Association
File #LR38549

Goulds Pumps is ISO 9001 Registered.



ITT

GOULDS PUMPS Wastewater

APPLICATIONS

Specifically designed for the following uses:

- Homes
- Sewage systems
- Dewatering/Effluent
- Water transfer

SPECIFICATIONS

Pump:

- Solids handling capabilities: 2" maximum.
- Discharge size: 2" NPT.
- Capacities: up to 185 GPM.
- Total heads: up to 38 feet TDH.
- Temperature: 104°F (40°C) continuous, 140°F (60°C) intermittent.

MOTORS

■ Fully submerged in high grade turbine oil for lubrication and efficient heat transfer. All ratings are within the working limits of the motor.

■ **Class B insulation.**

Single phase (60 Hz):

- All single phase models feature capacitor start motors for maximum starting torque.
- Built-in overload with automatic reset.
- SJTOW or STOW severe duty oil and water resistant power cords.
- 1/3 – 1 HP models have NEMA three prong grounding plugs.

Three phase (60 Hz):

- Class 10 overload protection must be provided in separately ordered starter unit.
- STOW power cords all have bare lead cord ends.
- **Bearings:** Upper and lower heavy duty ball bearing construction.
- **Designed for Continuous Operation:** Pump ratings are within the motor manufacturer's recommended working limits, can be operated continuously without damage when fully submerged.
- **Power Cable:** Severe duty rated, oil and water resistant. Epoxy seal on motor end provides secondary moisture barrier in case of outer jacket damage and to prevent oil wicking. Standard cord is 20'. Optional lengths are available.
- **Motor Cover O-ring:** Assures positive sealing against contaminants and oil leakage.

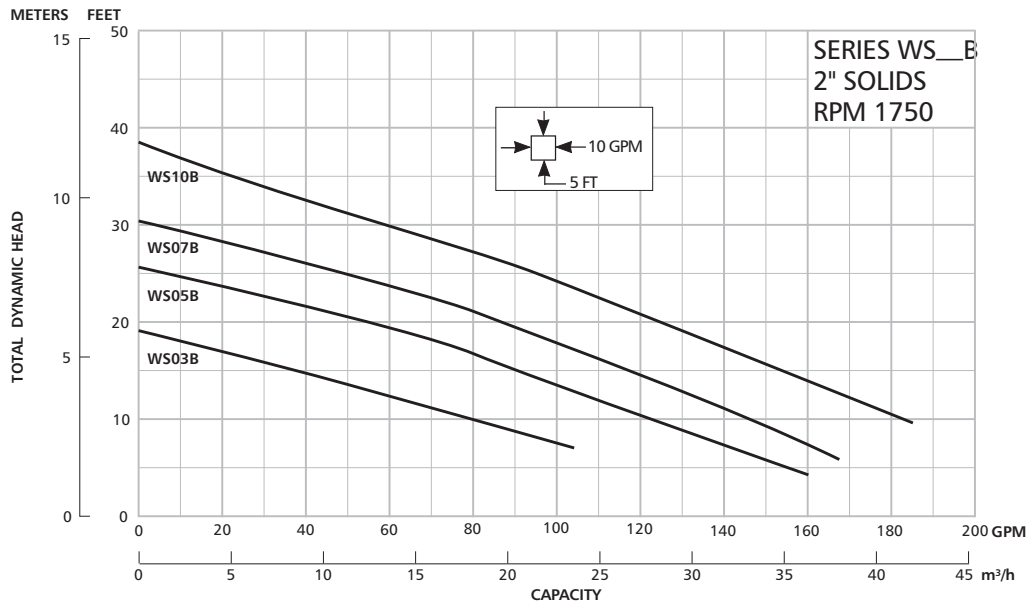


ITT

GOULDS PUMPS
Wastewater

MODELS

| ORDER NUMBER | HP | PHASE | VOLTS | RPM | IMPELLER DIA. (in.) | MAX. AMPS | LRA | KVA CODE | FULL LOAD MOTOR EFF. | RESISTANCE | | WT. (LBS.) | |
|--------------|------|-------|-------|------|---------------------|-----------|------|----------|----------------------|------------|-----------|------------|----|
| | | | | | | | | | | START | LINE-LINE | | |
| WS0311B | 0.33 | 1 | 115 | 1750 | 4.69 | 10.7 | 30.0 | M | 54 | 11.9 | 1.7 | 63 | |
| WS0318B | | | 208 | | | 6.8 | 19.5 | K | 51 | 9.1 | 4.2 | | |
| WS0312B | | | 230 | | | 4.9 | 14.1 | L | 53 | 14.5 | 8.0 | | |
| WS0511B | 0.5 | 1 | 115 | | 5.00 | 5.00 | 14.5 | 31.1 | J | 55 | 9.3 | 1.4 | 65 |
| WS0518B | | | 208 | | | | 8.0 | 19.5 | K | 51 | 9.1 | 4.2 | |
| WS0512B | | | 230 | | | | 7.3 | 16.5 | J | 54 | 11.7 | 5.6 | |
| WS0538B | | 3 | 200 | | | | 3.8 | 12.3 | K | 75 | NA | 6.7 | |
| WS0532B | | | 230 | | | | 3.3 | 9.7 | K | 75 | NA | 9.9 | |
| WS0534B | | | 460 | | | | 1.7 | 4.9 | K | 75 | NA | 39.4 | |
| WS0537B | 575 | 1.4 | 4.3 | | K | 68 | NA | 47.8 | | | | | |
| WS0718B | 0.75 | 1 | 208 | | 5.38 | 5.38 | 11.0 | 39.0 | K | 65 | 2.6 | 1.4 | 85 |
| WS0712B | | | 230 | | | | 9.4 | 24.8 | J | 57 | 4.8 | 2.3 | |
| WS0738B | | 3 | 200 | 4.1 | | | 21.2 | H | 74 | NA | 4.3 | | |
| WS0732B | | | 230 | 3.6 | | | 17.3 | J | 76 | NA | 5.6 | | |
| WS0734B | | | 460 | 1.8 | | | 8.9 | J | 76 | NA | 22.4 | | |
| WS0737B | | | 575 | 1.5 | | | 7.3 | J | 71 | NA | 29.2 | | |
| WS1018B | 1 | 1 | 208 | 5.75 | 5.75 | 14.0 | 39.0 | K | 65 | 2.6 | 1.4 | 85 | |
| WS1012B | | | 230 | | | 12.3 | 30.5 | H | 60 | 4.3 | 1.8 | | |
| WS1038B | | 3 | 200 | | | 6.0 | 21.2 | H | 74 | NA | 4.3 | | |
| WS1032B | | | 230 | | | 5.8 | 17.3 | J | 76 | NA | 5.6 | | |
| WS1034B | | | 460 | | | 2.9 | 8.9 | J | 76 | NA | 22.4 | | |
| WS1037B | | | 575 | | | 2.4 | 7.3 | J | 71 | NA | 29.2 | | |





ITT

Wastewater

PERFORMANCE RATINGS (gallons per minute)

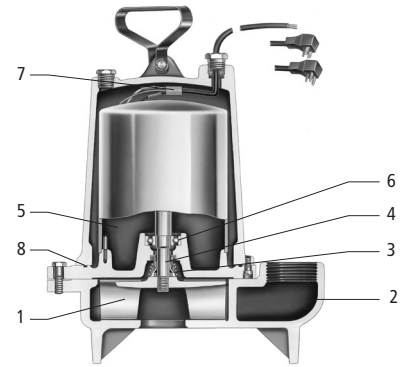
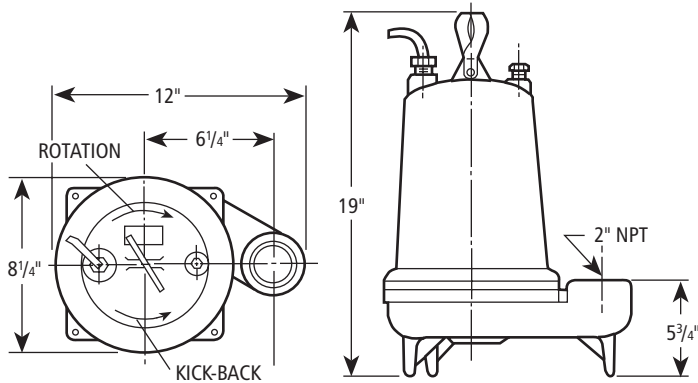
| Order No. | WS03B | WS05B | WS07B | WS10B |
|-----------------------------|-------|-------|-------|-------|
| HP ▶ | 1/3 | 1/2 | 3/4 | 1 |
| RPM ▶ | 1750 | 1750 | 1750 | 1750 |
| Total Head Feet of Water | 10 ▶ | 80 | 122 | 145 |
| | 15 | 36 | 90 | 116 |
| | 20 | — | 50 | 86 |
| | 25 | — | — | 48 |
| | 30 | — | — | — |
| | 35 | — | — | — |

COMPONENTS (for reference only)

| Item No. | Description |
|----------|-----------------|
| 1 | Impeller |
| 2 | Casing |
| 3 | Mechanical Seal |
| 4 | Motor Shaft |
| 5 | Motor |
| 6 | Ball Bearings |
| 7 | Power Cable |
| 8 | Casing O-Ring |

DIMENSIONS

(All dimensions are in inches. Do not use for construction purposes.)



NOTE: For specific parts breakdown, see repair parts.



Goulds Pumps and the ITT Engineered Blocks Symbol are registered trademarks and tradenames of ITT Corporation.

SPECIFICATIONS ARE SUBJECT TO CHANGE WITHOUT NOTICE.

B3886 June, 2009

© 2007 ITT Corporation

Engineered for life