



# ITT

Wastewater

## Goulds Pumps

### Model 1DM/2DM

1½" and 2" Submersible Sewage Pump



#### FEATURES

- **Casing:** Corrosion resistant AISI 304 SS designed for long lasting performance.
- **Impeller:** AISI type 304 stainless steel construction; two vane non-clog design for maximum pumping efficiency.
- **Mechanical Seal:** Drive lube silicon carbide sealing faces; all metal components of AISI type 300 stainless steel running in protected oil chamber.
- **Elastomers:** BUNA-N
- **Pump Support Feet; Motor Shell and Lifting Handle:** Constructed of AISI type 304 series stainless steel.
- **Shaft:** AISI type 304 stainless steel high strength pump shaft with keyed and locking cap screw impeller fastening.
- **Discharge:** 1½" and 2" NPT for horizontal connection to rigid, flexible or guide rail piping connection.

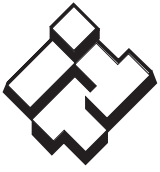
**NOTE:** See accessory section guide rail systems, type A10-20 for simplex or duplex system or base elbow rail systems.



Goulds Pumps is a brand of ITT Corporation.

[www.goulds.com](http://www.goulds.com)

*Engineered for life*



# ITT

## GOULDS PUMPS Wastewater

### **APPLICATIONS**

Non-clog submersible sewage pumps for simplex and duplex installations in small lift stations, drainage systems or raw water applications requiring solids handling capability of 1 3/8" and 2" diameter made specifically for:

- Homes and farms
- Mobile home parks and motels
- Schools and hospitals
- Municipal package systems
- Industrial treatment systems
- Dewatering applications

Component	Material
Pump body and motor casing	Stainless steel (AISI 304)
Impeller	Stainless steel (AISI 304)
Lower mechanical seal	Silicon carbide/silicon carbide
Upper lip seal	Nitrile rubber
Motor Shaft	Stainless steel (AISI 304)
Handle	Nylon

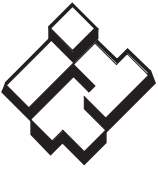
### **SPECIFICATIONS**

#### **Pump:**

- 1 1/2" discharge on 1/2 HP.
- 2" discharge on 3/4 HP and larger.
- Solid size: 1 3/8" solids on 1/2 HP; 2" solids on 3/4 HP and larger.
- Capacities: to 175 U.S. GPM (41 m<sup>3</sup>/h).
- Total heads: to 47 feet TDH (14 m).
- Temperature:  
104°F (40°C) continuous  
140°F (60°C) intermittent.
- Maximum submergence: to 17 feet (5 m).
- AISI 304 SS casing.
- AISI 304 SS impeller.
- Continuous duty rated, non-overloading motor.

#### **Motor:**

- Single phase: 60 Hz, 3450 RPM, 1/2 HP, 115 V; 1/2 to 1 HP, 230 V.
- Three phase: 60 Hz, 3450 RPM, 1/2 to 1 1/2 HP, 230 and 460 V.
- Non-overloading.
- Air-filled, class F insulated motor.
- Thermal overload protection: built-in with automatic reset on single phase, 115 V and 230 V models.
- Three phase models require external overload in panel.
- Power cord: 20 feet long.
- Single phase 115 V and 230 V models are supplied with molded NEMA plugs and built-in capacitors.
- Three phase models are supplied with bare leads.
- Float controls: optional, see accessory section for simplex or duplex system requirements.
- Rotation is clockwise when viewed from top.

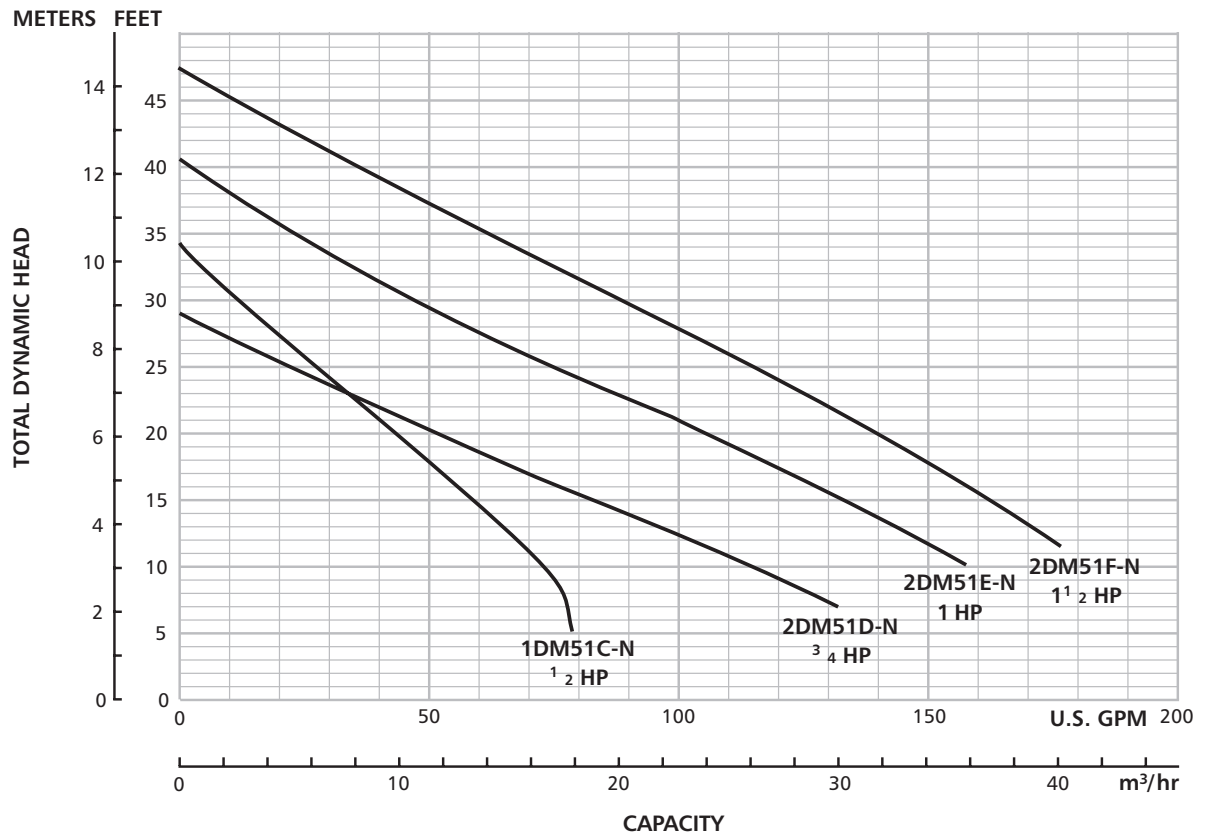


# ITT

## GOULDS PUMPS Wastewater

### MODEL INFORMATION

Order Number	HP	Volts	Phase	Maximum Amps	Start Amps	Capacitor uF/V	Resistance Start/Line-Line	RPM	Cord Length	Discharge Connection	Solids	Weight (lbs.)						
1DM51C0NA	1/2	115	1	9.8	51.0	70/250	1.6 / 0.6	3450	20'	1 1/2"	1 3/8"	22						
1DM51C1NA		230		4.2	26.3	20/450	5.9 / 2.6											
1DM51C3NA		460	3	2.3	14.6	NA	NA / 11.7											
1DM51C4NA				1.2	7.5	NA	NA / 14.7											
2DM51D1NA	3/4	230	1	5.4	27.2	22/450	4.4 / 1.9			3450	20'	2"	2"	30				
2DM51D3NA			3	3.4	24.9	NA	NA / 6.0							25				
2DM51D4NA				1.7	12.7	NA	NA / 7.8							30				
2DM51E1NA	1	230	1	7.0	30.6	30/450	4.2 / 1.9							3450	20'	2"	2"	34
2DM51E3NA				3	4.4	29.8	NA											NA / 5.3
2DM51E4NA			460		2.2	15.2	NA											NA / 6.6
2DM51F3NA				1 1/2	230	3	5.6					39.2	NA					NA / 3.7
2DM51F4NA	2.8	19.9	NA				NA / 4.8											

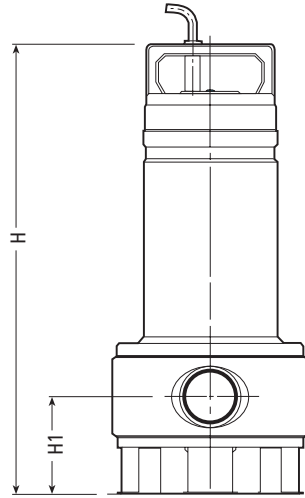




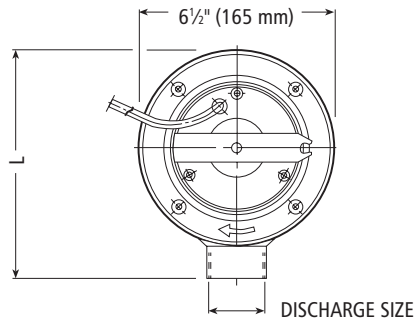
# ITT

## Wastewater

### DIMENSIONS



Series	HP	Phase	Dimensions in inches (mm)			Discharge Size	Wt. (lbs.)
			H	H1	L		
1DM	½	3	15 3/8 (391)	3 1/2 (88)	7 1/2 (193)	1 1/2"	20
		1					22
2DM	¾	3	17 1/4 (438)	4 3/8 (111.5)	7 3/4 (198)	2"	25
		1	18 (458)				30
	1	3	18 13/16 (478)				30
		1					34
	1 1/2	3	32				



Goulds Pumps and the ITT Engineered Blocks Symbol are registered trademarks and tradenames of ITT Corporation.

SPECIFICATIONS ARE SUBJECT TO CHANGE WITHOUT NOTICE.

**B1DM/2DM December, 2007**

© 2007 ITT Corporation

*Engineered for life*