

ITT

Residential Water

CentriPro

Quick Disconnect Control Boxes For 4", 1Ø, 3-Wire Submersible Motors



FEATURES

- Voltage Relays for installer convenience
- 115 and 230 volt models
- 208 volt relay, 9K461, available for low voltage applications
- Start Capacitors
- NEMA 3R enclosure for indoor or outdoor mounting
- Quick disconnect cover design will retrofit with F.E. Q-D control boxes
- Multiple knockouts
- Two grounding lugs

AGENCY LISTINGS



Listed to UL778 Standard by Underwriters Laboratories Inc. File No. E83318



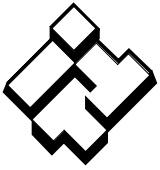
CSA certified to C22.2, No. 108 Standard by Canadian Standards Association, File No. LR38549



CentriPro is a brand of ITT Corporation.

www.centripro.com

Engineered for life



ITT

CENTRIPRO Residential Water

CENTRIPRO ORDER NUMBERS

Control Box Order Number	HP	KW	Volts	Replaces old #	Replaces FE #	Standard Circuit Breaker	Standard Fuse	Dual Element Time Delay Fuse	Enclosure Dimensions W x D x H (in)	Shipping Wt. (lbs)
CB05411	.5	.37	115	00043	280 104 49	30 A	35 A	20 A	4.8 x 2.9 x 8.4	4
CB05412	.5	.37	230	00044	280 105 49	15 A	20 A	10 A	4.8 x 2.9 x 8.4	4
CB07412	.75	.55	230	00054	280 107 49	20 A	25 A	15 A	4.8 x 2.9 x 8.4	4
CB10412	1	.75	230	00064	280 108 49	25 A	30 A	20 A	4.8 x 2.9 x 8.4	4

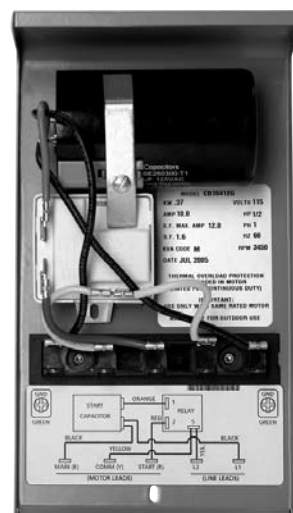
Note: 208 Volt starting relay, 9K461, is available for 200-208 volt power supplies.

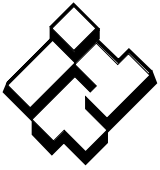
"K" REPAIR PARTS FOR QUICK DISCONNECT STYLE CONTROL BOXES*

CentriPro Order Number	Old Order Number	HP	Volts	Capacitor Order Number	Start Capacitor Mfd	Capacitor Voltage	Capacitor Quantity	Start Relay Order No.	Supplier Number
CB05411	00043 (GP)	.5	115	9K450	250 - 300	125	1	9K457	RVA7AA (6L) (or KL)
CB05412	00044 (GP)	.5	230	9K448	59 - 71	220	1	9K462	RVA2AL (6L) (or KL)
CB07412	00054 (GP)	.75	230	9K449	86 - 103	220	1		
CB10412	00064 (GP)	1	230	9K447	105 - 126	220	1		

Special 208 V Relay for .5 - 1 HP operating on 200 or 208 volt power supplies Order No. 9K461.

* Repair parts above will work in new voltage relay control boxes as well as in control boxes shown in "Replaces Column" above.



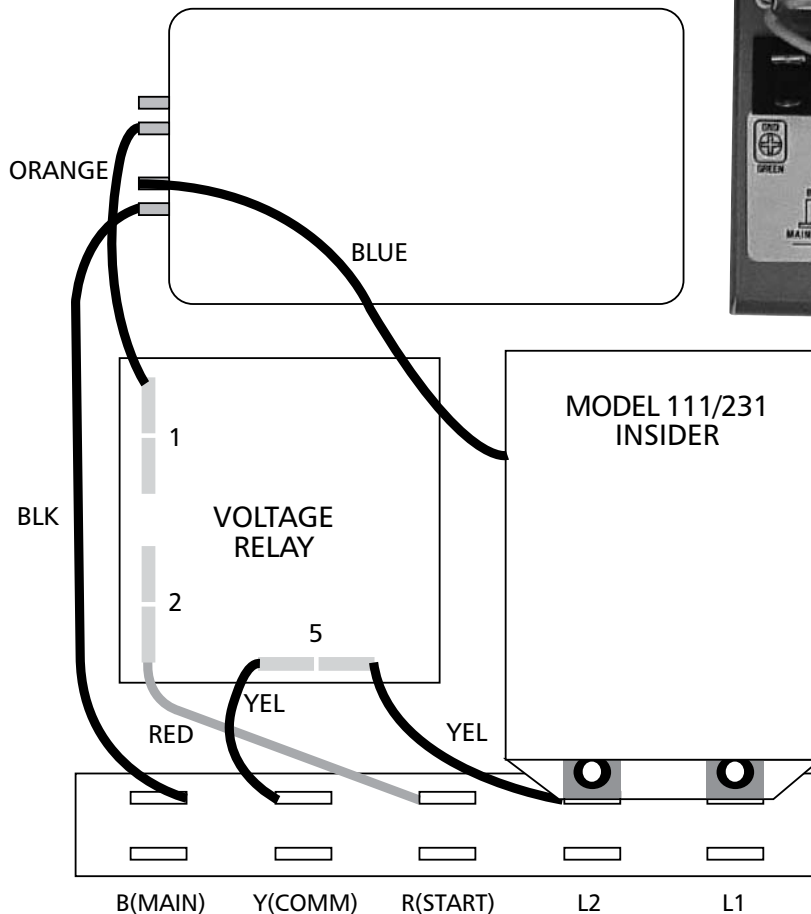


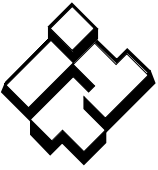
ITT

CENTRIPRO Residential Water

INSTALLING A PumpSaver® INSIDER

1. Remove the cover from the front of the 3-wire CentriPro® control box.
2. Remove the yellow wire from the terminal strip at L2.
3. Remove the black wire from L1 to the capacitor.
4. Press the PumpSaver onto the L1 and L2 terminals.
5. Reconnect the yellow wire to L2 on the PumpSaver.
6. Connect the blue wire attached to the PumpSaver to the dual-lug terminal (with the black wire) of the capacitor.

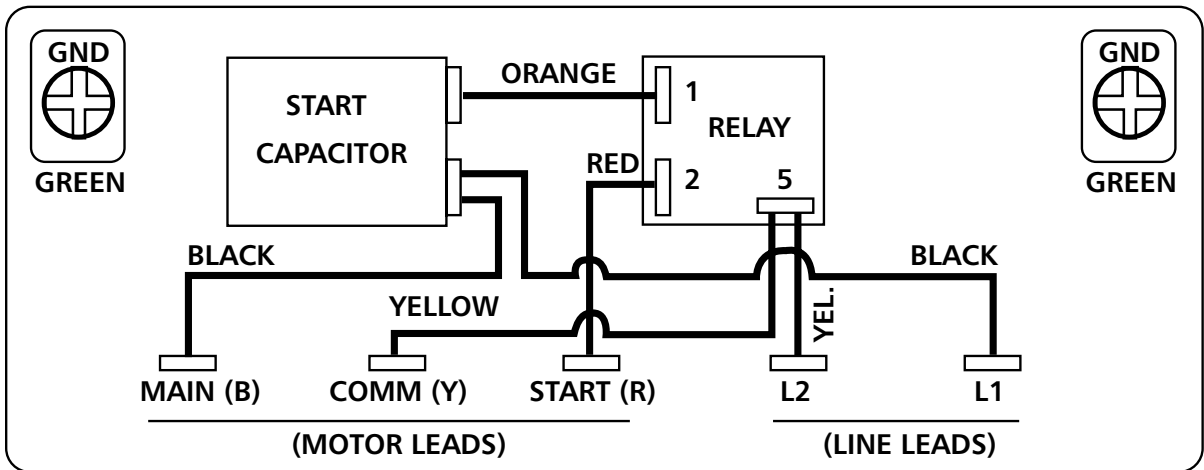




ITT

Residential Water

WIRING DIAGRAM



CentriPro and the ITT Engineered Blocks Symbol are registered trademarks and tradenames of ITT Corporation.

PumpSaver is a registered trademark of SymCom, Inc.

SPECIFICATIONS ARE SUBJECT TO CHANGE WITHOUT NOTICE.

BCQD April, 2008

© 2008 ITT Corporation

Engineered for life