

Installation and Service Manual

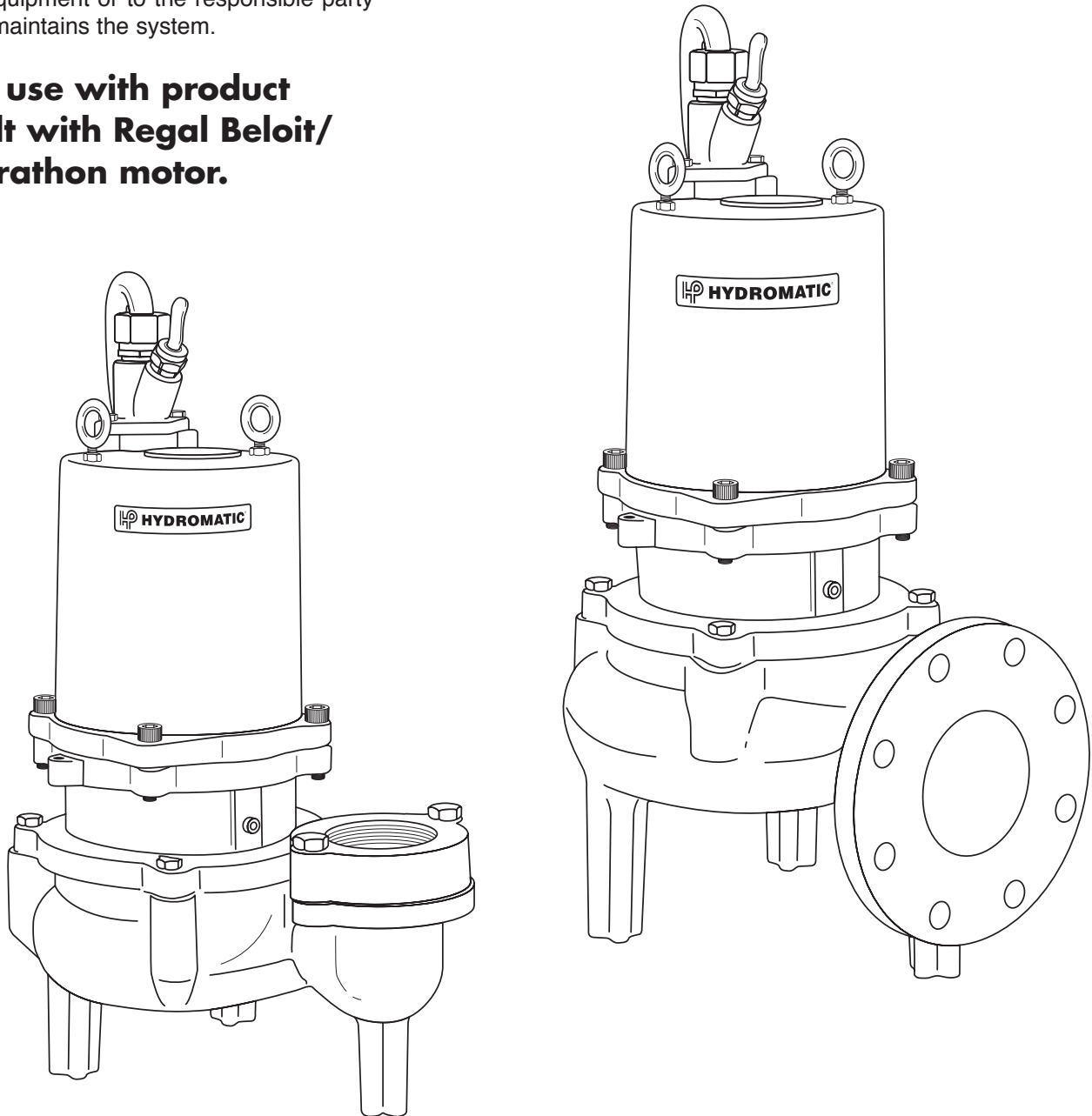
SUBMERSIBLE SEWAGE PUMP DUAL SEAL PUMPS

Models S3SD/S4SD & SB3SD/SB4SD



NOTE! To the installer: Please make sure you provide this manual to the owner of the equipment or to the responsible party who maintains the system.

**For use with product
built with Regal Beloit/
Marathon motor.**



General Information

Thank you for purchasing your Hydromatic® pump. To help ensure years of trouble-free operation, please read the following manual carefully.

Before Operation:

Read the following instructions carefully. Reasonable care and safe methods should be practiced. Check local codes and requirements before installation.

Attention:

This manual contains important information for the safe use of this product. Read this manual completely before using this product and refer to it often for continued safe product use. **DO NOT THROW AWAY OR LOSE THIS MANUAL.** Keep it in a safe place so that you may refer to it often.

Unpacking Pump:

Remove pump from carton. When unpacking unit, check for concealed damage. Claims for damage must be made at the receiving end through the delivery carrier. Damage cannot be processed from the factory.

WARNING: Before handling these pumps and controls, always disconnect the power first. Do not smoke or use sparkable electrical devices or flames in a septic (gaseous) or possible septic sump.

Pumps Not Operating or in Storage:

Pumps with carbon ceramic seals must have impellers manually rotated (6 revolutions) after setting non-operational for 3 months or longer and prior to electrical start-up.

Pump:

The S3SD/S4SD series submersible pumps are supplied for 1 and 3 phase and for 200, 230, 460 or 575 volts. Pump is supplied with 15 feet of power cord. Longer cable lengths can be furnished but must be specified at time of order. Power cable is supplied with a green wire for ground. Be sure green wire is connected to a ground lug in the control panel and the control panel must be connected to a ground rod or ground wire from supply service.

NOTE: All single phase pumps require properly sized start capacitor, start relay and run capacitor in the panel.

Sump Level Control:

Sump level is controlled by Hydromatic 3900 mercury switch level controls. The 3900 level controls is a metal case mercury switch sealed in a solid polyurethane float. The float is held in position by a weight attached to the power cord above the float. The cord supports the float and is adjusted for height from the surface.

Typical duplex systems use three floats; the lowest float turns the pumps off, the next higher float starts the lead pump, the next higher float (override) starts the lag pump. The pumps alternate on successive cycles.

Two pumps operate together only if sump level rises to the third or override float. The override float also brings on the second pump in case of failure of the first pump. Extra floats with appropriate controls can be supplied for alarm functions. Triplex systems use four floats. The fourth highest float brings on the second lag pump. Three pumps operate together only if sump level rises to the fourth float (second override). This float also brings on the third pump in case of failure of either or both of the first two pumps.

Alarm Controls:

The alarm float is usually set above the override level so the alarm will signal only if the override level is exceeded. However, some engineers prefer to have the alarm float set below the override level as it is possible for one pump to fail and the other pump to operate on the override level with the sump level never reaching the alarm level. This is particularly true in cases of low inflow capacity.

Electrical Control Panel:

It is recommended that the Hydromatic control panel be used with all pumps as proper start components and pump protection are furnished.

NOTE: All single phase pumps require properly sized start capacitor, start relay, and run capacitor in the control panel.

IMPORTANT: If Hydromatic control panel is not used and the motor fails because of improper components, the motor guarantee is void.

Hydromatic electrical equipment is installed in a weatherproof enclosure. Electrical equipment includes a main circuit breaker for each pump, a magnetic starter with overload protection for each pump, an H-O-A switch and run light for each pump, an electric alternator and a transformer to provide appropriate control for control circuit and alarms.

Overload Heaters:

If a Hydromatic control panel is not used, on three phase pumps all three phases must have overload protection. The overload should be ambient compensated class 10. The heaters full load amps on the pump should be sized in accordance with the nameplate amps on the motor housing. The amp draw on these submersible motors is slightly higher than a corresponding horsepower surface motor so heaters must be sized by the nameplate full load amp rating.

Single phase pumps with capacitor start circuit must have the overload protection on the black pump lead.

NOTE: On single phase pumps the white, black, and red pump leads must be connected properly for the pump to run.

Pump Installation

Installing Pump in Sump:

Before installing pump in sump, lay it on side and turn impeller with fingers. Impeller may be slightly stuck due to factory test water so it must be broken loose with small bar or screwdriver in edge of vanes. The impeller should turn freely.

Clean all trash and sticks from sump and connect pump to piping. A check valve must be installed on each pump. A gate or plug

valve in each pump discharge line is also recommended. This valve should be installed on the discharge side of the check valve so if necessary to service the check valve, the line pressure can be cut off. Single pump systems are sometimes installed without a check valve where it is desirable to self-drain the discharge line to prevent freezing. This can be done only with short discharge lines. Otherwise water will return to the sump and cause short cycling of the pump.

NEMA 4 Junction Box (Optional):

If electrical control panel is to be set remote from the pump sump, a NEMA 4 junction box should be used to make power and control connections. The Hydromatic NEMA 4 junction box is provided with compression connectors for sealing all wires. No sealing compound is needed to make connections waterproof.

WIRE SIZE TABLE
FOR REMOTE LOCATION OF CONTROL PANEL LENGTHS ARE BASED ON A VOLTAGE DROP OF TWO PERCENT

Maximum length in feet from NEMA 4 junction box to control panel. For 3 phase only and for power lines only. All control wires can be = 14-16 or 18 gauge wire. If power lines are for 460 or 575 volts insulation of control wires must be for this voltage if used in conduit with power lines.

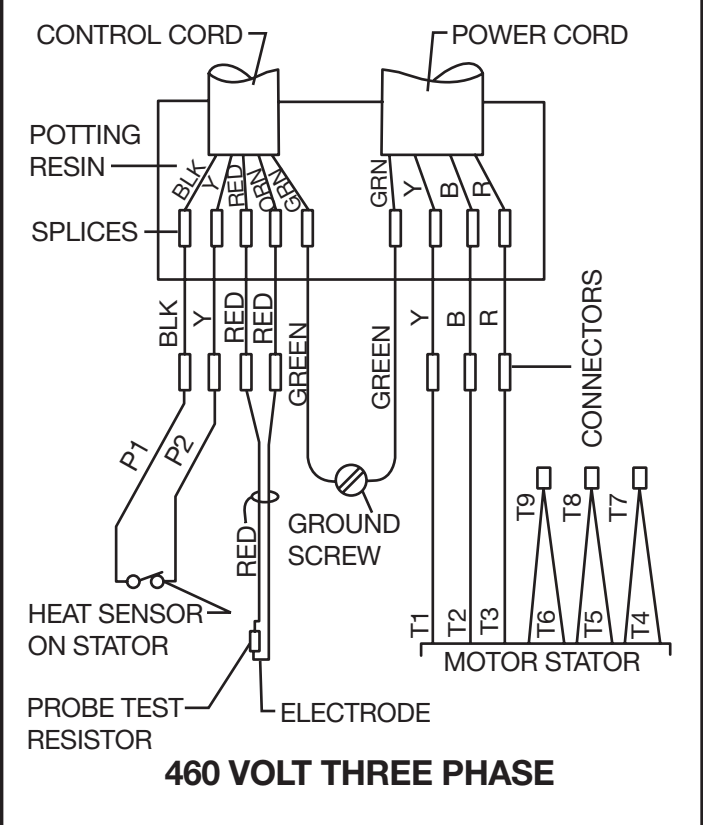
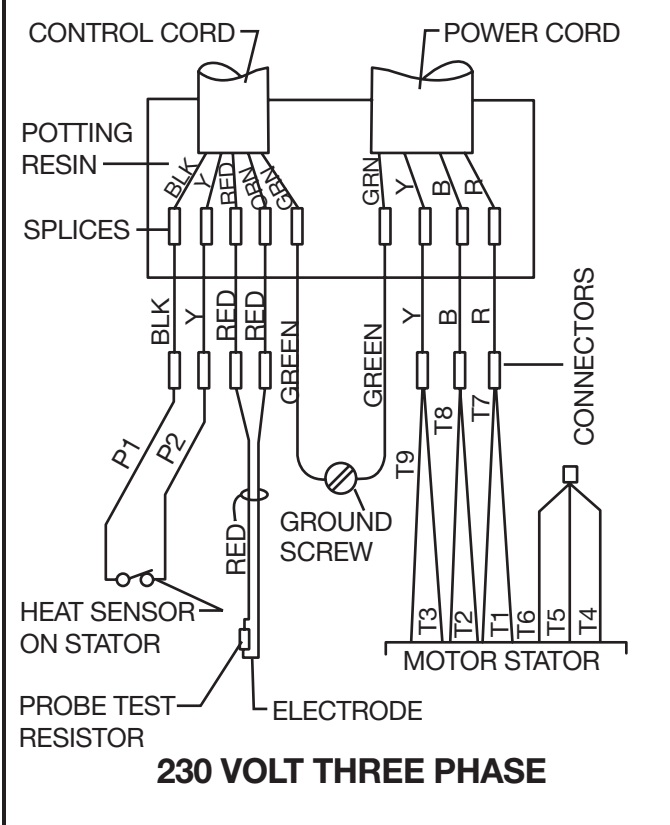
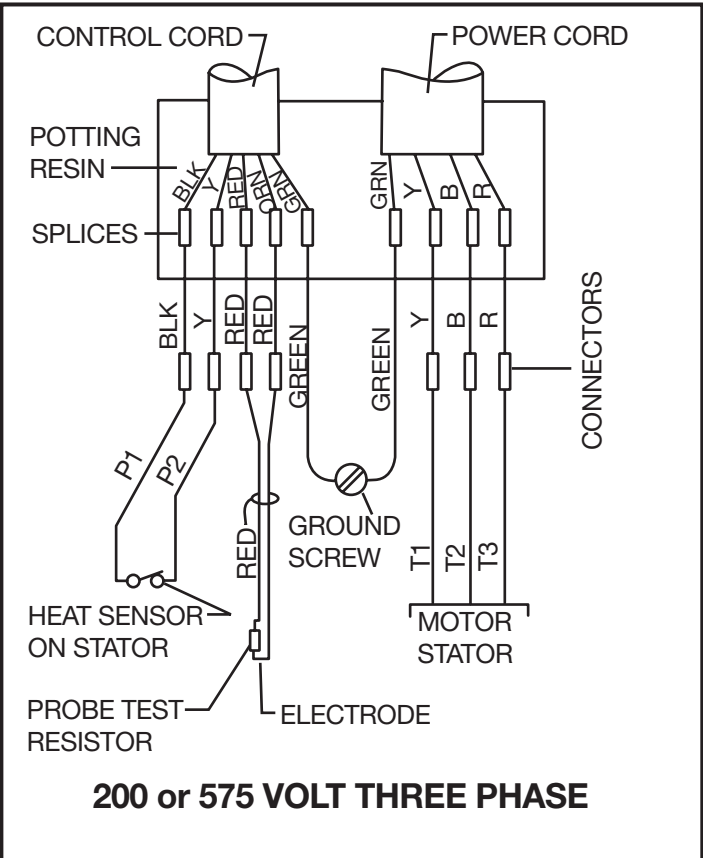
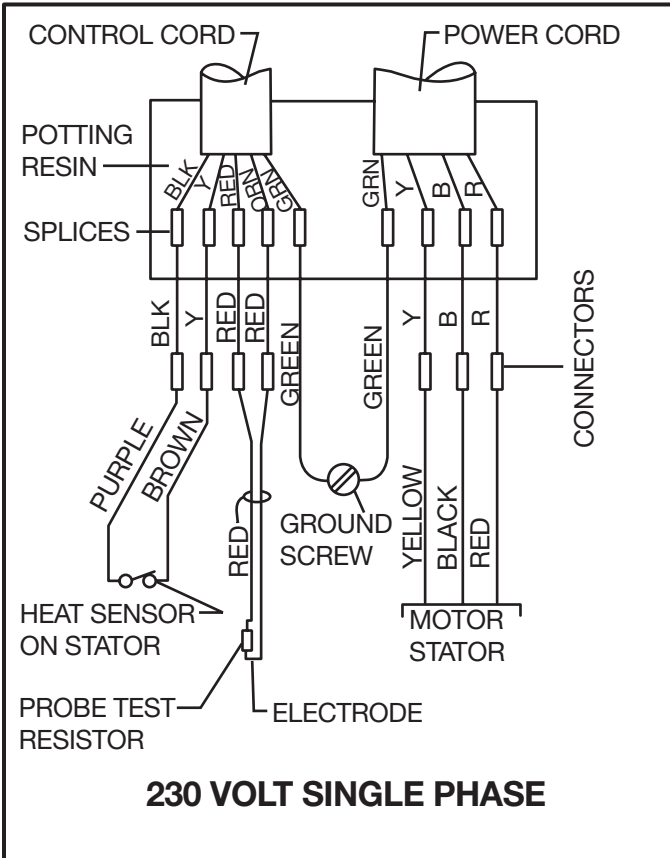
Volts	230	460	575	230	460	575	230	460	575	230	460	575	230	460	575	230	460	575	230	460	575	230	460	575	230	460	575		
Wire Size	Motor HP	3	3	3	5	5	5	7½	7½	7½	10	10	10	15	15	15	20	20	20	25	25	25	30	30	30	35	35	35	
12		110	450	700	90	370	580																						
10		180	720	1120	140	550	370	90	360	560	50	220	340																
8		270	1100	1650	220	900	1400	175	700	1100	105	420	650	320	500	230	360	180	280										
6		400	1600	2500	350	1400	2200	220	900	1400	150	600	930	105	420	650	90	370	570	360	560	320	500	230	360				
4								370	1500	2300	230	950	1450	175	700	1100	140	550	850	125	500	800	100	400	620	90	360	560	
2											370	1500	230	270	1100	1700	220	900	1400	210	820	1250	200	800	1250	150	600	930	

*Special Junction Box required for wire sizes larger than #4.

NUMBER OF CONDUCTORS REQUIRED BETWEEN CONTROL PANEL AND NEMA 4 JUNCTION BOX

System Type	Number of Control Wires	Number of Power Lines	Number of Ground Wires #8
Simplex	3	3	1
Simplex with Alarm	5	3	1
Duplex	5	6	1
Duplex with Alarm	7	6	1

Pump Wiring



Pump Installation

Wiring diagrams are provided with panel for making connections. An extra set of diagrams is included so that one set can be used during installation when making connections. The size of any additional wiring from the pump cord to the panel is based on the distance and pump current. Double check that all wiring is properly connected and tight.

NOTE: On single phase pumps the white, black and red pump wires must be connected properly to the panel. Only the proper sequence will work.

Installing 3900 Mercury Switch Float:

The float cords are supported by a mounting bracket that is attached to sump wall or cover or to the NEMA 4 junction box.

Cord snubbers are used to hold the cord in place. Float level can be changed at any time by loosening the snubber and readjusting cord length.

In either simplex or duplex system the lower or turn-off float is set just above the top of volute so that the volute will always be submerged during the pumping cycle. The second or lead/on float is set at about 24 inches above the lower turn-off control.

More distance between turn-on and turn-off controls can be used but sewage may become septic and excessive solids may collect for the pump to handle. A frequent pumping cycle is recommended for best operation.

If an alarm system is used, this control is usually set about 6 inches above the override control.

Some engineers as described previously prefer to have the alarm control set below the override control.

Making Electrical Connections:

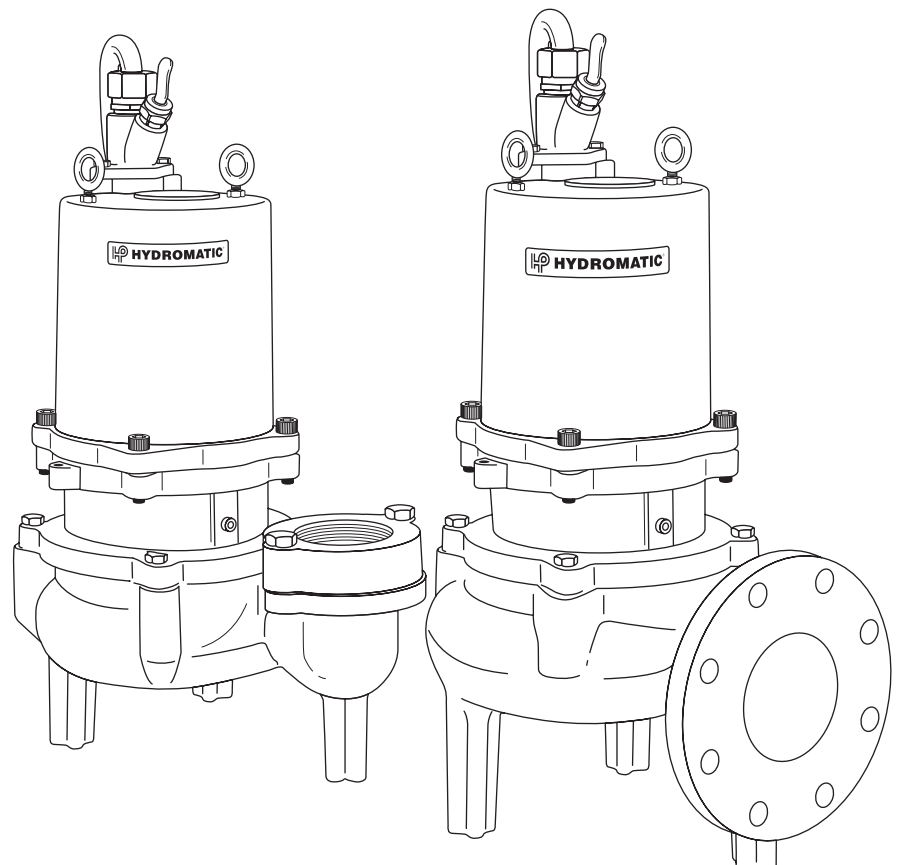
All electrical wiring must be in accordance with local code, and only competent electricians should make the installations. A set of prints is included for use in making the installation. All wires should be checked for grounds with an ohmmeter or Megger after the connections are made. This is important, as one grounded wire can cause considerable trouble.

IMPORTANT: If equipment is not properly wired and protected as recommended, the motor guarantee is void.

Pump Operations

Starting System:

1. Turn H-O-A switch to Off position, then turn on main circuit breakers.
2. Open all discharge valves and allow water to rise in sump pump.
3. Turn H-O-A switch to Hand position on one pump and notice operation. If pump is noisy and vibrates, rotation is wrong. To change rotation (3 phase), interchange any two line leads to motor. **DO NOT INTERCHANGE MAIN INCOMING LINES.** If duplex system, check second pump in the same manner.
4. Now set both H-O-A switches to Auto position and allow water to rise in sump until



one pump starts. Allow pump to operate until level drops to turn-off point.

5. Allow sump level to rise to start other pump. Notice run lights on panel; pumps should alternate on each successive cycle of operation.
6. Turn both H-O-A switches to Off position and allow sump to fill to the override control level.
7. Turn both switches to Auto position and both pumps should start and operate together until level drops to turn-off point.
8. Repeat this operation cycle several times before leaving job.
9. Check voltage when pumps are operating and check the amp draw of each pump. On 3 phase pumps, check amps on each wire as sometimes a high leg will exist. One leg can be somewhat higher (5 to 10%) without causing trouble. For excessive voltage, the power company should be consulted.

Pump Maintenance

As the motors are oil filled, no lubrication or other maintenance is required. The pump should be lifted once every two years and the oil drained from the motor chamber to check for water.

Generally these pumps give very reliable service and can be expected to operate for years on normal sewage pumping without failure.

Lightning:

In some areas where considerable lightning occurs, it is recommended that a lightning arrestor be installed at the control panel.

Complete data on lightning arrestors and cost are available from the factory. Lightning arrestors are good insurance against damage to an expensive motor.

Servicing Instructions:

IMPORTANT: Read all instructions before replacing any parts.

WARNING: Before handling these pumps and controls, always disconnect the power first.

Do not smoke or use sparkable electrical devices or flames in a septic (gaseous) or possible septic sump.

Field Service on Motor:

All submersible motors can be serviced (out of warranty) in the field by any reliable motor service shop. Any pump (in warranty) must be returned to the factory for service or repaired in an authorized Hydromatic ser-

vice center. Charges will not be allowed if (in warranty) pump is taken to a motor repair shop that is not an authorized Hydromatic service center.

When field service is performed on a pump, these instructions should be carefully followed.

Replacing Stator:

If motor winding is burned or shorted, it can be rewound or replaced with new factory wound stator. Refer to sectional drawing of pump and motor and use the following steps to remove and replace stator.

1. If stator only is damaged, it may not be necessary to completely dismantle pump as stator and housing can be lifted from pump without disturbing seals or bearings.
2. Drain all oil from upper housing. If oil is clean and no water is present, seals can be considered satisfactory to reuse.
3. After chamber is drained, remove hold-down bolts and lift off motor housing. Use care in lifting.
4. Set assembly on bench and remove cord cap assembly by removing bolts. When this is lifted off, connection wires to motor will be exposed. These wires will probably be burned, but each wire is tagged with a metal marker giving wire number. Cut the wires.
5. If the leads to the cord cap assembly are burned, the cord cap assembly must be replaced.
6. After stator retaining ring is removed, turn housing upright and bump on hardwood blocks. This should jar the stator loose and allow it to drop out.

Pump Maintenance

7. Thoroughly clean housing before replacing new stator. Replace stator and make all wire connections to cord cap assembly before replacing housing on pump. This is important as leads must be tucked behind the windings by using hands up through rotor core.

IMPORTANT: Use only compression type insulated connectors on the wires. Do not tape leads as oil will deteriorate the tape and cause damage to stator and bearings.

8. Check top bearing. If clean and does not turn rough, bearings can be reused and it is not necessary to completely dismantle pump to change bearings. If bearings are damaged with dirt or heat, they must be replaced. See additional instructions on replacing seals and bearings. Remember to reinstall the upper bearing load spring.
9. Replace motor housing onto seal chamber and bolt in place with capscrews.

Be sure O-ring seal has been replaced. If O-ring is nicked or cut, replace the new rings. This applies to all O-rings used in assembly.

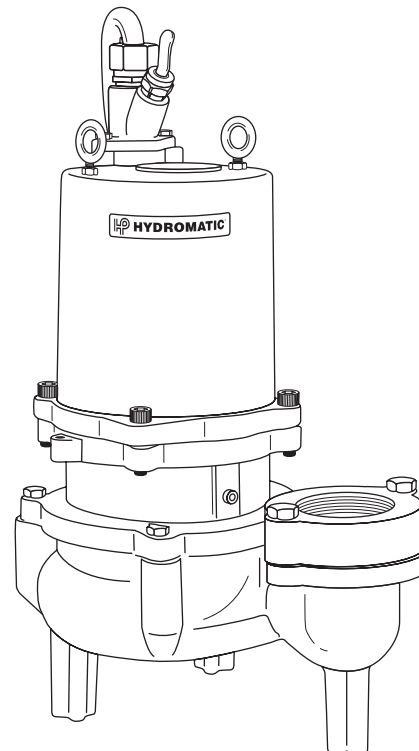
10. After all leads are reconnected, make a high voltage ground test on each wire. The only wire that should show ground is the green power lead.
11. Refill motor chamber with oil. Use only high grade transformer oil or regular Hydromatic

special submersible oil. Fill chamber until oil covers top of windings. Leave air space in top for expansion. Use Permatex® on plug threads.

Replacing Seals and Bearings:

1. Drain all oil from motor chamber as described.
2. Remove bolts that hold motor housing to bearing housing. Remove screws holding bearing housing to volute housing.
3. Lift rotating assembly (rotor, shaft and impeller) from pump case and place horizontally on bench. With hardwood block, tap end of impeller to loosen from shaft.
4. Shaft sleeves are not used.
5. Remove lower seal spring and pry out seal with screwdriver.
6. Remove screws holding seal plate to bearing housing, then remove snap ring that retains the upper seal and pry out seal with screwdriver.

7. Use bearing puller to remove bearings. Replace with new bearings. Press only on inner face of bearing when replacing. Pressing on outer face can damage the bearing. Bearings are standard size that can be obtained from any bearing supply house or can be obtained from Hydromatic factory.
8. **IMPORTANT:** Do not use any of the old seal parts. Replace with all new seals.
9. Thoroughly clean all castings before replacing seals. One grain of dirt between the seal faces can cause failure. Examine all O-rings for nicks before reusing.
10. Use Loctite on socket head locking screw in end of shaft.
11. Before refilling chamber with oil, air test as described above.
12. Refill chamber with oil as described above.
13. Always check all leads with high voltage or with Megger for grounds before operating the pump.



Pump Troubleshooting

Below is a list of common problems and the probable causes:

Pump will not start:

1. No power to the motor. Check for blown fuse or tripped circuit.
2. Hand-Off-Auto switch may be in the Off position.
3. Control circuit transformer fuse may be blown.
4. Overload relay on starter may be tripped. Push to reset.

Pump will not start and overload heaters trip:

1. Turn off power and check motor leads with Megger or ohmmeter for possible ground.
2. Check resistance of motor windings. All 3 phases should show close to the same reading.
3. If no grounds exist and the motor windings check OK, remove pump from sump and check for clogged or blocked impeller.

Pump operates with selector switch in Hand position but will not operate in Auto position:

1. This indicates trouble in the float level control or the alternator relay.
2. To check for defective float control, put selector switch in Auto position and turn off main power. Put a jumper wire on terminal strip. Turn on power and if pump starts, trouble is in float control. Replace control.

Pump runs but will not shut off:

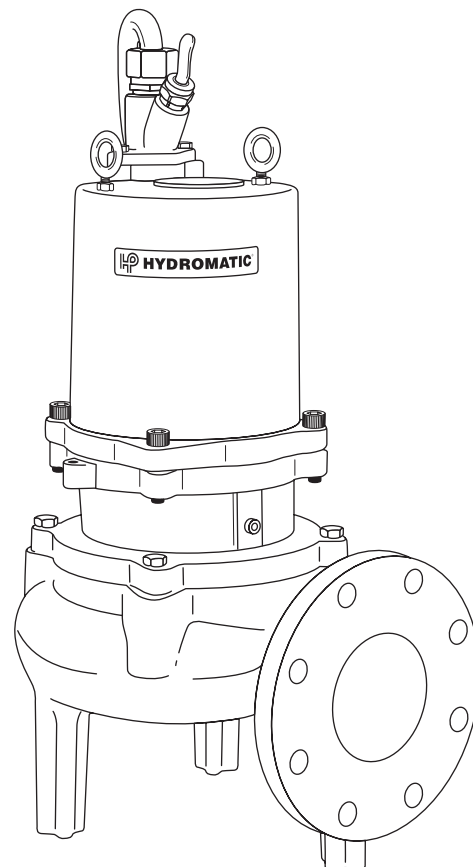
1. Pump may be air locked. Turn pump off and let set for several minutes, then restart.
2. Lower float control may be hung-up in the closed position. Check in sump to be sure control is free.
3. Selector switch may be in the Hand position.

Pump does not deliver proper capacity:

1. Discharge gate valve may be partially closed or partially clogged.
2. Check valve may be partially clogged. Raise level up and down to clear.
3. Pump may be running in wrong direction. Low speed pumps can operate in reverse direction without much noise or vibration.

4. Discharge head may be too high. Check total head with gauge when pump is operating. Total head is discharge gauge pressure converted to feet plus vertical height from water level in sump to center line of pressure gauge installed in discharge line. Gauge should be installed on pump side of all valves. Multiply gauge pressure in pounds by 2.31 to get head in feet.

5. If pump has been in service for some time and capacity falls off, remove pump and check for wear or clogged impeller.



S3SD Parts List

For use with product built with Regal Beloit/Marathon motor.

ORDERING REPLACEMENT PARTS: Product improvements are made from time to time. The latest part design will be furnished as long as it is interchangeable with the old part. When ordering replacement parts, always furnish the following information: (1) pump serial number, (2) pump model and size, (3) part description, (4) part number, (5) impeller diameter (if ordering impeller), (6) quantity required, and (7) shipping instructions.

Ref. No.	Part No.	Part Description	Qty.
1	06461-042-5	Cord & Cap Assy. 35' 12/4	1
	06461-043-5	Cord & Cap Assy. 35' 10/4	1
2	00834-015-1	O-Ring	1
3	00064-003-1	Spring – Brg.	1
4	00065-021-1	Brg.	1
5	077730175	Rotor/Shaft 3 HP – 230–460/3/60	1
	01329-026-5	Rotor/Shaft 3 HP – 230/1-575/3-200/3	1
	00740-020-5	Rotor/Shaft 1.5 & 2 HP – 230/1/60	1
	0773-017-5	Rotor/Shaft 1.5 & 2 HP all 3-Phase	1
	0774-017-5	Rotor/Shaft 1 HP all 1-Phase	1
	0773-017-5	Rotor/Shaft 1 HP – all 3-Phase	1
6	00736-003-1	Spacer 2 HP, 1750 RPM – 3 Phase	1
	00736-001-1	Spacer 1 HP, 1150 RPM – 1 Phase	1
	00736-003-1	Spacer 1 HP, 1150 RPM – 3 Phase	1
7	06000-014-1	Seal Fail Wire	1
8	24407C215	Stator – 2 HP – 230/1/60 1750 RPM	1
	24407C216	Stator – 2 HP – 200/3/60 1750 RPM	1
	24407C217	Stator – 2 HP – 230,460/3/60 1750 RPM	1
	24407C218	Stator – 2 HP – 575/3/60 1750 RPM	1
	24407C200	Stator – 3 HP – 230/1/60 1750 RPM	1
	24407C201	Stator – 3 HP – 200/3/60 1750 RPM	1
	24407C217	Stator – 3 HP – 230,460/3/60 1750 RPM	1
	24407C203	Stator – 3 HP – 575/3/60 1750 RPM	1
	24407C223	Stator – 1 HP – 230/1/60 1150 RPM	1

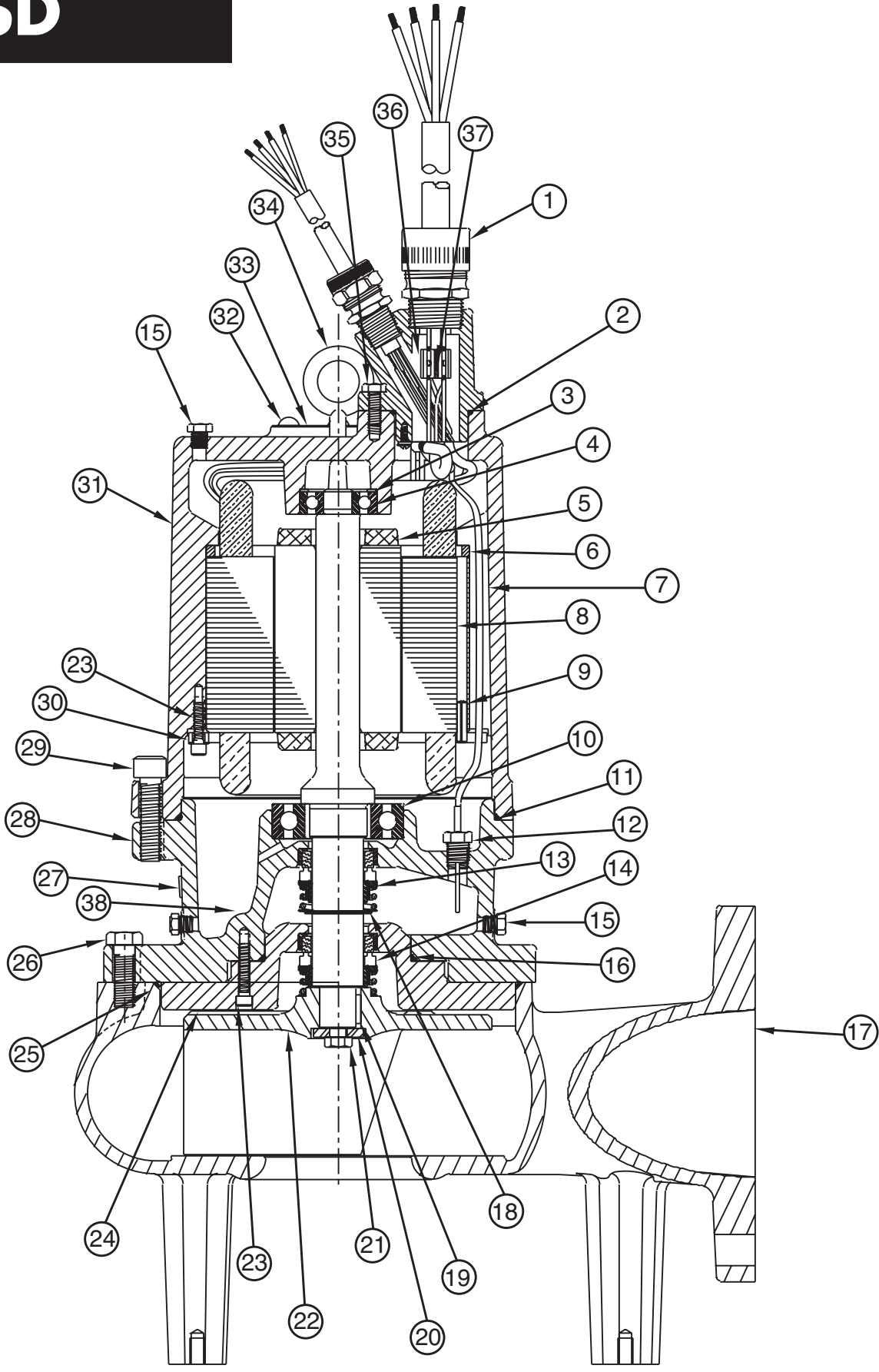
Ref. No.	Part No.	Part Description	Qty.
	14715-203-1	Stator – 1 HP – 200/1/60 1150 RPM	1
	24407C225	Stator – 1 HP – 230,460/3/60 1150 RPM	1
	24407C224	Stator – 1 HP – 200/3/60 1150 RPM	1
	24407C226	Stator – 1 HP – 575/3/60 1150 RPM	1
9	05454-001-1	Pin – Roll	1
10	00065-018-1	Brg.	1
11	00150-057-1	O-Ring	1
12	08472-001-5	Seal Fail	1
13	04916-000-1	Mechanical Seal, Upper (CE-B)*	1
14	04916-000-1	Mechanical Seal, Lower (CE-B)*	1
	04916-001-1	Mechanical Seal, Lower (TC-B)*	1
	04916-004-1	Mechanical Seal, Lower (TC-V)*	1
15	14981-001-1	Plug – Pipe	3
16	00150-029-1	O-Ring	1
17	09947-001-2	Volute	1
18	00975-012-1	Snap Ring	1
19	08908-002-1	Key Square	1
20	10108-000-1	Washer – Impeller	1
21	19101A003	Screw – Cap	1
22	09927-123-2	Impeller – 1.5 HP	1
	09927-124-2	Impeller – 1 HP & 2 HP	1
	09927-125-2	Impeller – 3 HP	1
23	06106A019	Screw – Cap	5
24	07990-002-2	Plate – Seal	1

Ref. No.	Part No.	Part Description	Qty.
25	00150-019-1	O-Ring	1
26	19103A043	Screw – Cap	4
27	08206-000-1	Inst Plate	1
28	07145-000-2	Housing – Bearing	1
29	00568-007-1	Screw – Cap	4
30	00299-002-1	Ring-Retainer Stator	1
31	00294-003-2	Housing – Motor	1
32	04580-001-1	Screw – Drive	2
34	00589-002-1	Bolt – Eye	2
35	19100A033	Screw – Cap	2
36	12672A001	Wire Connector all HP 230/1/60 1750 RPM	3
		Wire Connector all HP 200,575/3/60 1750 RPM	3
		Wire Connector all HP 230,460/3/60 1750 RPM	4,6
		Wire Connector all 1 Phase 1150 RPM	3
		Wire Connector 2 HP 200,575/3/60 1150 RPM	3
		Wire Connector 2 HP 230,460/3/60 1150 RPM	4,6
37	02577-000-1	Wire Connector all	1
38		Oil – Paraffinic	1
39	00517-007-1	Screw-Cap	4
40	01032-002-1	Hex Nut	2
41	05454A023	Lock Washer	4
–	51700-125-7	Ceramic Seal Kit	
–	51700-126-7	Carbide Seal Kit	

Notes: S – Parts in Seal Kit C – Parts in Carbide Seal Kit I – Parts in Impeller Kit R – Parts in Rebuild Kit

* – CE-B Carbon Ceramic / Buna-n, TC-B Tungsten Carbide / Buna-n, TC-V Tungsten Carbide / Viton

S3SD



SB3SD Parts List

For use with product built with Regal Beloit/Marathon motor.

ORDERING REPLACEMENT PARTS: Product improvements are made from time to time. The latest part design will be furnished as long as it is interchangeable with the old part. When ordering replacement parts, always furnish the following information: (1) pump serial number, (2) pump model and size, (3) part description, (4) part number, (5) impeller diameter (if ordering impeller), (6) quantity required, and (7) shipping instructions.

Ref. No.	Part No.	Part Description	Qty.
1	06461-042-5	Cord & Cap Assy. 35' 12/4	1
	06461-043-5	Cord & Cap Assy. 35' 10/4	1
2	00834-015-1	O-Ring	1
3	00064-003-1	Spring – Brg.	1
4	00065-021-1	Brg.	1
5	077730175	Rotor/Shaft 3 HP – 230–460/3/60	1
	01329-026-5	Rotor/Shaft 3 HP – 230/1-575/3-200/3	1
	00740-020-5	Rotor/Shaft 1.5 & 2 HP – 230/1/60	1
	0773-017-5	Rotor/Shaft 1.5 & 2 HP all 3-Phase	1
	0774-017-5	Rotor/Shaft 1 HP all 1-Phase	1
	0773-017-5	Rotor/Shaft 1 HP – all 3-Phase	1
6	00736-003-1	Spacer 2 HP, 1750 RPM – 3 Phase	1
	00736-001-1	Spacer 1 HP, 1150 RPM – 1 Phase	1
	00736-003-1	Spacer 1 HP, 1150 RPM – 3 Phase	1
7	06000-014-1	Seal Fail Wire	1
8	24407C215	Stator – 2 HP – 230/1/60 1750 RPM	1
	24407C216	Stator – 2 HP – 200/3/60 1750 RPM	1
	24407C217	Stator – 2 HP – 230,460/3/60 1750 RPM	1
	24407C218	Stator – 2 HP – 575/3/60 1750 RPM	1
	24407C200	Stator – 3 HP – 230/1/60 1750 RPM	1
	24407C201	Stator – 3 HP – 200/3/60 1750 RPM	1
	24407C217	Stator – 3 HP – 230,460/3/60 1750 RPM	1
	24407C203	Stator – 3 HP – 575/3/60 1750 RPM	1
	24407C223	Stator – 1 HP – 230/1/60 1150 RPM	1
	14715-203-1	Stator – 1 HP – 200/1/60 1150 RPM	1

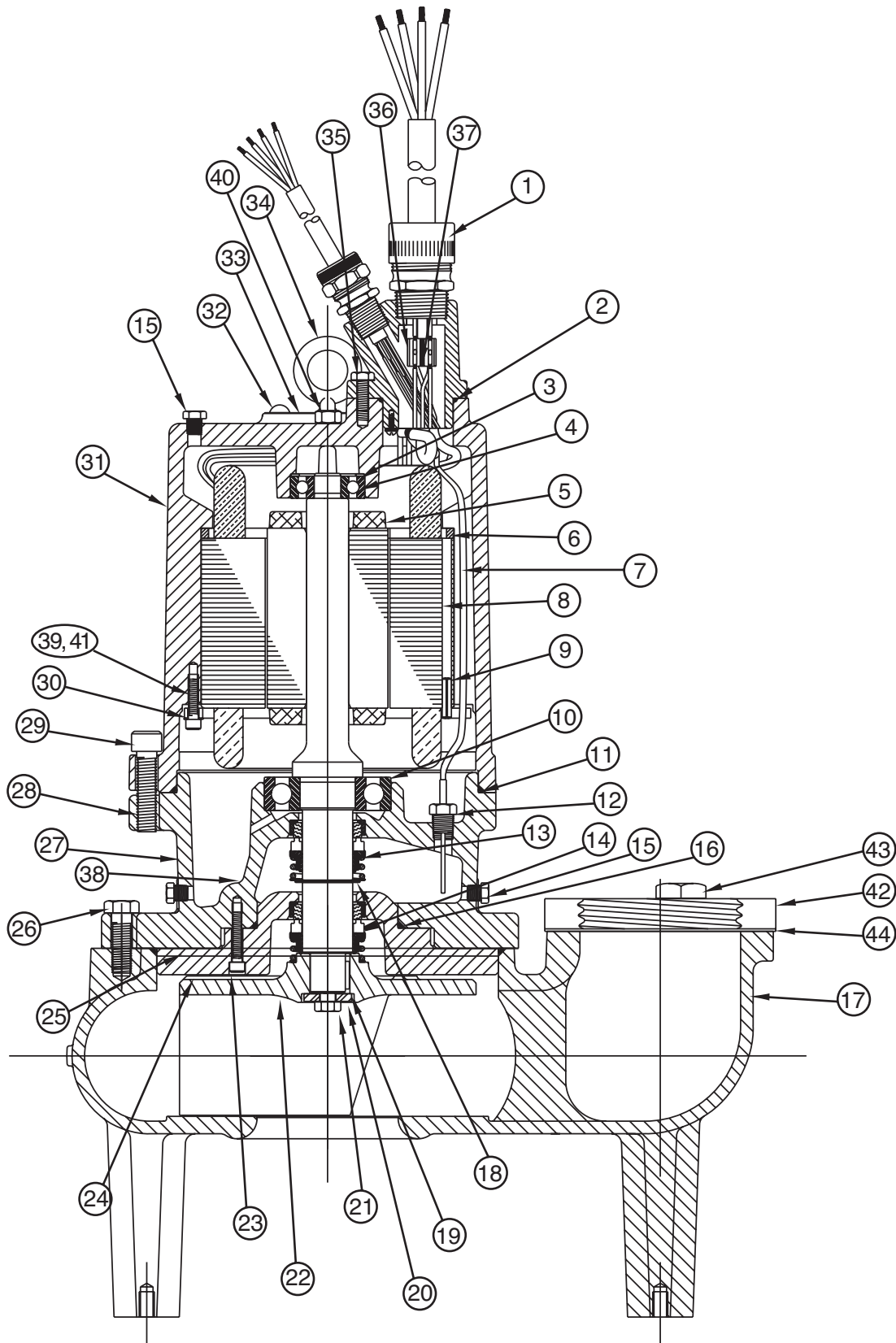
Ref. No.	Part No.	Part Description	Qty.
	24407C225	Stator – 1 HP – 230,460/3/60 1150 RPM	1
	24407C224	Stator – 1 HP – 200/3/60 1150 RPM	1
	24407C226	Stator – 1 HP – 575/3/60 1150 RPM	1
9	05454-001-1	Pin – Roll	1
10	00065-018-1	Brg.	1
11	00150-057-1	O-Ring	1
12	08472-001-5	Seal Fail	1
13	04916-000-1	Mechanical Seal, Upper (CE-B)*	1
14	04916-000-1	Mechanical Seal, Lower (CE-B)*	1
	04916-001-1	Mechanical Seal, Lower (TC-B)*	1
	04916-004-1	Mechanical Seal, Lower (TC-V)*	1
15	14981-001-1	Plug – Pipe	3
16	00150-029-1	O-Ring	1
17	09947-101-2	Volute	1
18	00975-012-1	Snap Ring	1
19	08908-002-1	Key Square	1
20	10108-000-1	Washer – Impeller	1
21	19101A003	Screw – Cap	1
22	09927-123-2	Impeller – 1.5 HP	1
	09927-124-2	Impeller – 1 HP & 2 HP	1
	09927-125-2	Impeller – 3 HP	1
23	06106A019	Screw – Cap	5
24	07990-002-2	Plate – Seal	1
25	00150-019-1	O-Ring	1
26	19103A043	Screw – Cap	4

Ref. No.	Part No.	Part Description	Qty.
27	08206-000-1	Inst Plate	1
28	07145-000-2	Housing – Bearing	1
29	00568-007-1	Screw – Cap	4
30	00299-002-1	Ring-Retainer Stator	1
31	00294-003-2	Housing – Motor	1
32	04580-001-1	Screw – Drive	2
34	00589-002-1	Bolt – Eye	2
35	19100A033	Screw – Cap	2
36	12672A001	Wire Connector all HP 230/1/60 1750 RPM	3
		Wire Connector all HP 200,575/3/60 1750 RPM	3
		Wire Connector all HP 230,460/3/60 1750 RPM	4,6
		Wire Connector all 1 Phase 1150 RPM	3
		Wire Connector 2 HP 200,575/3/60 1150 RPM	3
		Wire Connector 2 HP 230,460/3/60 1150 RPM	4,6
37	02577-000-1	Wire Connector all	1
38		Oil – Paraffinic	1
39	00517-007-1	Screw-Cap	4
40	01032-002-1	Hex Nut	2
41	05454A023	Lock Washer	4
42	00356-000-2	Discharge Flange	1
43	19105A044	Screw-Hex	2
44	01054-000-1	Gasket	1
–	51700-125-7	Ceramic Seal Kit	
–	51700-126-7	Carbide Seal Kit	

Notes: S – Parts in Seal Kit C – Parts in Carbide Seal Kit I – Parts in Impeller Kit R – Parts in Rebuild Kit

* – CE-B Carbon Ceramic / Buna-n, TC-B Tungsten Carbide / Buna-n, TC-V Tungsten Carbide / Viton

SB3SD



S4SD Parts List

For use with product built with Regal Beloit/Marathon motor.

ORDERING REPLACEMENT PARTS: Product improvements are made from time to time. The latest part design will be furnished as long as it is interchangeable with the old part. When ordering replacement parts, always furnish the following information: (1) pump serial number, (2) pump model and size, (3) part description, (4) part number, (5) impeller diameter (if ordering impeller), (6) quantity required, and (7) shipping instructions.

Ref. No.	Part No.	Part Description	Qty.
1	06461-042-5	Cord & Cap Assy. 35' 12/4	1
	06461-043-5	Cord & Cap Assy. 35' 10/4	1
	06461-044-5	Cord & Cap Assy. 35' 8/4	1
2	00834-015-1	O-Ring	1
3	00064-003-1	Spring – Brg.	1
4	00065-021-1	Brg.	1
5	01329-026-5	Rotor/Shaft 3.5, & 7.5 HP – all 3 Phase	1
	01329-026-5	Rotor/Shaft 3 HP – 230/1/60	1
	01329-026-5	Rotor/Shaft 5 HP – 230/1/60	1
	01329-026-5	Rotor/Shaft 2 HP 200,230/1/60	1
	00740-020-5	Rotor/Shaft 2 HP – all 3 Phase	1
6	00736-000-1	Spacer 2 HP, 1750 RPM – 3 Phase	1
7	06000-014-1	Seal Fail Wire	1
8	00740-003-1	Stator – 2 HP – 230/1/60 1750 RPM	1
	00741-203-1	Stator – 2 HP – 200/3/60 1750 RPM	1
	00741-003-1	Stator – 2 HP – 230,460/3/60 1750 RPM	1
	00741-603-1	Stator – 2 HP – 575/3/60 1750 RPM	1
	24407C200	Stator – 3 HP – 230/1/60 1750 RPM	1
	24407C201	Stator – 3 HP – 200/3/60 1750 RPM	1
	24407C202	Stator – 3 HP – 230,460/3/60 1750 RPM	1
	24407C203	Stator – 3 HP – 575/3/60 1750 RPM	1
	24407C204	Stator – 5 HP – 230/1/60 1750 RPM	1
	22407C205	Stator – 5 HP – 200/3/60 1750 RPM	1
	24407C206	Stator – 5 HP – 230,460/3/60 1750 RPM	1
	24407C207	Stator – 5 HP – 575/3/60 1750 RPM	1
	24407C208	Stator – 7.5 HP – 200/3/60 1750 RPM	1
	24407C209	Stator – 7.5 HP – 230,460/3/60 1750 RPM	1

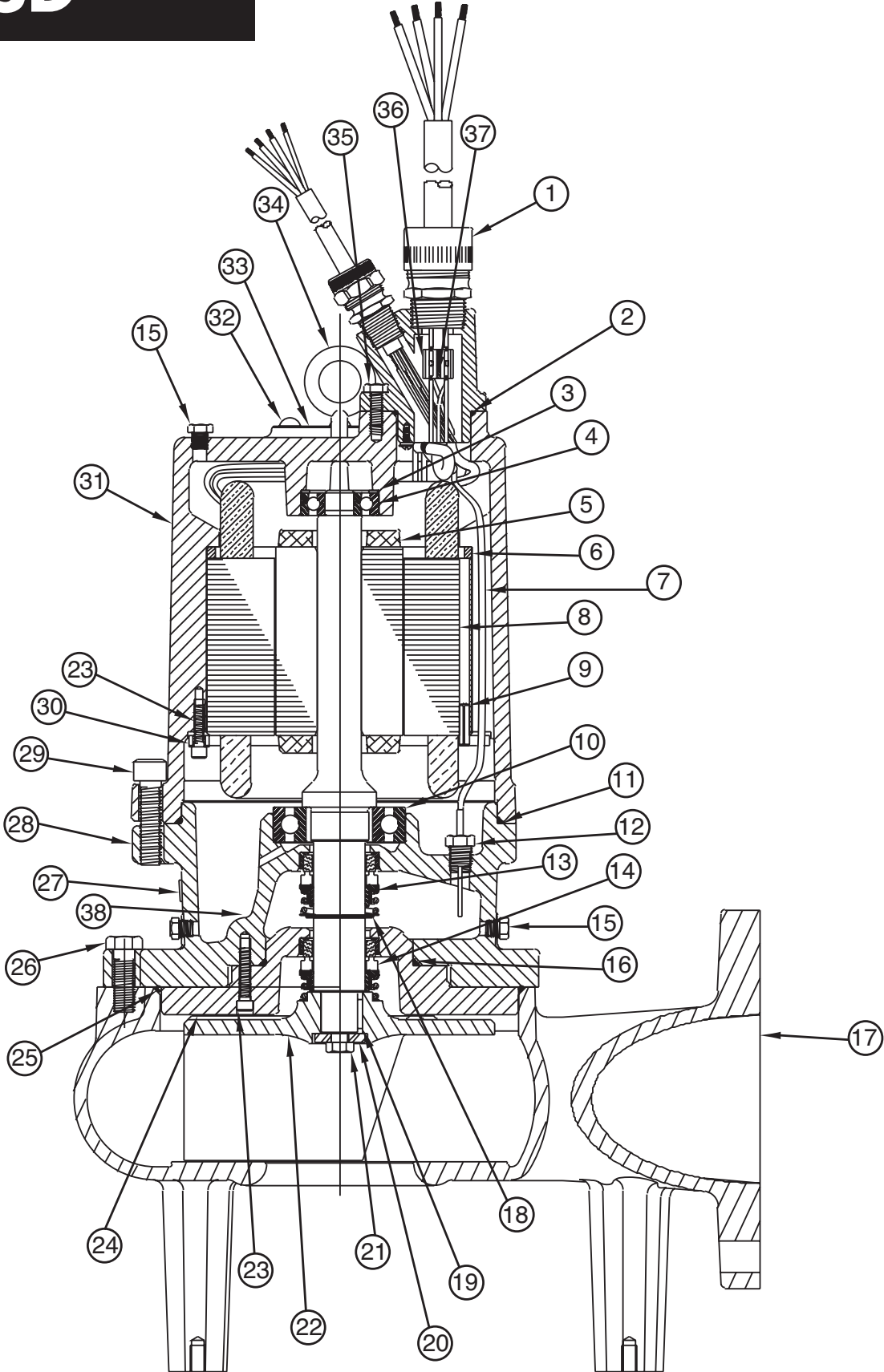
Ref. No.	Part No.	Part Description	Qty.
	24407C210	Stator – 7.5 HP – 575/3/60	1
	24407C231	Stator – 2 HP – 230/1/60 1150 RPM	1
	14717-203-1	Stator – 2 HP – 200/1/60 1150 RPM	1
	24407C233	Stator – 2 HP – 230,460/3/60 1150 RPM	1
	24407C232	Stator – 2 HP – 200/3/60 1150 RPM	1
	24407C234	Stator – 2 HP – 575/3/60 1150 RPM	1
9	05454-001-1	Pin – Roll	1
10	00065-018-1	Brg.	1
11	00150-057-1	O-Ring	1
12	08472-001-5	Seal Fail	1
13	04916-000-1	Mechanical Seal, Upper (CE-B)*	1
14	04916-000-1	Mechanical Seal, Lower (CE-B)*	1
	04916-001-1	Mechanical Seal, Lower (TC-B)*	1
	04916-004-1	Mechanical Seal, Lower (TC-V)*	1
15	14981-001-1	Plug – Pipe	3
16	00150-029-1	O-Ring	1
17	09995-101-2	Volute	1
18	00975-012-1	Snap Ring	1
19	08908-002-1	Key Square	1
20	10108-000-1	Washer – Impeller	1
21	19101A003	Screw – Cap	1
22	09978-031-2	Impeller – 3 HP	1
	09978-031-2	Impeller – 2 HP & 5 HP	1
	09978-129-2	Impeller – 7.5 HP	1
23	06106A019	Screw – Cap	5
24	07990-003-2	Plate – Seal	1
25	00150-023-1	O-Ring	1

Ref. No.	Part No.	Part Description	Qty.
26	19103A043	Screw – Cap	4
27	08206-000-1	Inst Plate	1
28	07145-000-2	Housing – Bearing	1
29	00568-007-1	Screw – Cap	4
30	00299-002-1	Ring – Retainer Stator	1
31	00294-003-2	Housing – Motor	1
32	04580-001-1	Screw – Drive	2
33	13425-016-1	Nameplate	1
34	00589-002-1	Bolt – Eye	2
35	19100A033	Screw – Cap	2
36	12672A001	Wire Connector 2 & 3 HP 230/1/60 1750 RPM	3
		Wire Connector 2 & 3 HP 200,575/3/60 1750 RPM	3
		Wire Connector 2 & 3 HP 230,460/3/60 1750 RPM	4,6
		Wire Connector 5 HP 230/460/3/60 1750 RPM	1,3
		Wire Connector 7.5 HP 230,460,575/1750 RPM	3
		Wire Connector all 1 Phase 1150 RPM	3
		Wire Connector 2 HP 200,575/3/60 1150 RPM	3
		Wire Connector 2 HP 230,460/3/60 1150 RPM	4,6
37	02577-000-1	Wire Connector all	1
38	05617-000-1	Oil – Paraffinic	1
39	00517-007-1	Screw-Cap	4
40	01032-002-1	Hex Nut	2
41	05454A023	Lock Washer	4
–	51700-125-7	Ceramic Seal Kit	
–	51700-126-7	Carbide Seal Kit	

Notes: S – Parts in Seal Kit C – Parts in Carbide Seal Kit I – Parts in Impeller Kit R – Parts in Rebuild Kit

* – CE-B Carbon Ceramic / Buna-n, TC-B Tungsten Carbide / Buna-n, TC-V Tungsten Carbide / Viton

S4SD



SB4SD Parts List

For use with product built with Regal Beloit/Marathon motor.

ORDERING REPLACEMENT PARTS: Product improvements are made from time to time. The latest part design will be furnished as long as it is interchangeable with the old part. When ordering replacement parts, always furnish the following information: (1) pump serial number, (2) pump model and size, (3) part description, (4) part number, (5) impeller diameter (if ordering impeller), (6) quantity required, and (7) shipping instructions.

Ref. No.	Part No.	Part Description	Qty.
1	06461-042-5	Cord & Cap Assy. 35' 12/4	1
	06461-043-5	Cord & Cap Assy. 35' 10/4	1
	06461-044-5	Cord & Cap Assy. 35' 8/4	1
2	00834-015-1	O-Ring	1
3	00064-003-1	Spring – Brg.	1
4	00065-021-1	Brg.	1
5	01329-026-5	Rotor/Shaft 3,5, & 7.5 HP – all 3 Phase	1
	01329-026-5	Rotor/Shaft 3 HP – 230/1/60	1
	01329-026-5	Rotor/Shaft 5 HP – 230/1/60	1
	01329-026-5	Rotor/Shaft 2 HP 200,230/1/60	1
	00740-020-5	Rotor/Shaft 2 HP – all 3 Phase	1
6	00736-000-1	Spacer 2 HP, 1750 RPM – 3 Phase	1
7	06000-014-1	Seal Fail Wire	1
8	00740-003-1	Stator – 2 HP – 230/1/60 1750 RPM	1
	00741-203-1	Stator – 2 HP – 200/3/60 1750 RPM	1
	00741-003-1	Stator – 2 HP – 230,460/3/60 1750 RPM	1
	00741-603-1	Stator – 2 HP – 575/3/60 1750 RPM	1
	24407C200	Stator – 3 HP – 230/1/60 1750 RPM	1
	24407C201	Stator – 3 HP – 200/3/60 1750 RPM	1
	24407C202	Stator – 3 HP – 230,460/3/60 1750 RPM	1
	24407C203	Stator – 3 HP – 575/3/60 1750 RPM	1
	24407C204	Stator – 5 HP – 230/1/60 1750 RPM	1
	22407C205	Stator – 5 HP – 200/3/60 1750 RPM	1
	24407C206	Stator – 5 HP – 230,460/3/60 1750 RPM	1
	24407C207	Stator – 5 HP – 575/3/60 1750 RPM	1
	24407C208	Stator – 7.5 HP – 200/3/60 1750 RPM	1
	24407C209	Stator – 7.5 HP – 230,460/3/60 1750 RPM	1
	24407C210	Stator – 7.5 HP – 575/3/60	1

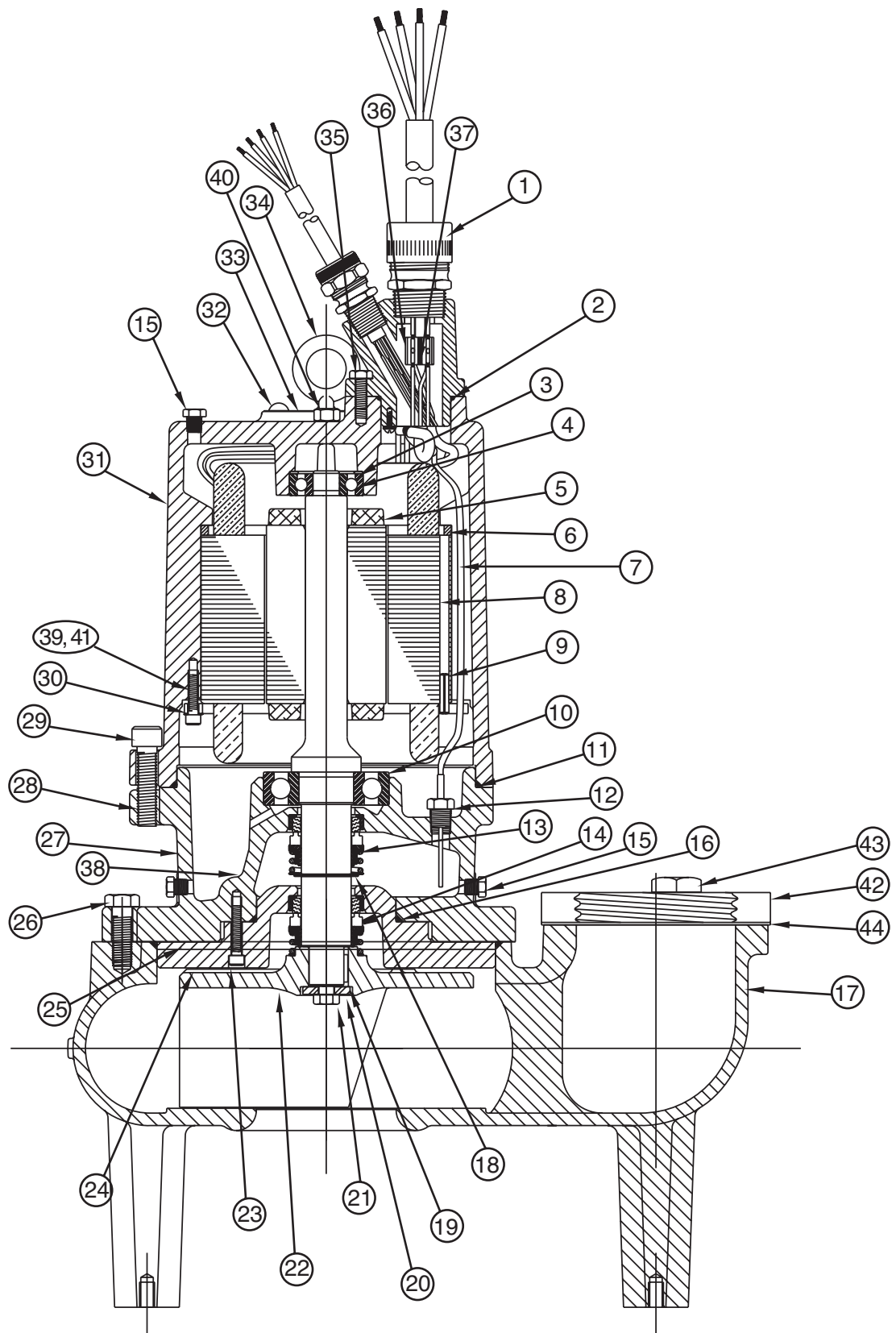
Ref. No.	Part No.	Part Description	Qty.
	24407C231	Stator – 2 HP – 230/1/60 1150 RPM	1
	14717-203-1	Stator – 2 HP – 200/1/60 1150 RPM	1
	24407C233	Stator – 2 HP – 230,460/3/60 1150 RPM	1
	24407C232	Stator – 2 HP – 200/3/60 1150 RPM	1
	24407C234	Stator – 2 HP – 575/3/60 1150 RPM	1
9	05454-001-1	Pin – Roll	1
10	00065-018-1	Brg.	1
11	00150-057-1	O-Ring	1
12	08472-001-5	Seal Fail	1
13	04916-000-1	Mechanical Seal, Upper (CE-B)*	1
14	04916-000-1	Mechanical Seal, Lower (CE-B)*	1
	04916-001-1	Mechanical Seal, Lower (TC-B)*	1
	04916-004-1	Mechanical Seal, Lower (TC-V)*	1
15	14981-001-1	Plug – Pipe	3
16	00150-029-1	O-Ring	1
17	09995-101-2	Volute	1
18	00975-012-1	Snap Ring	1
19	08908-002-1	Key Square	1
20	10108-000-1	Washer – Impeller	1
21	19101A003	Screw – Cap	1
22	09978-031-2	Impeller – 3 HP	1
	09978-031-2	Impeller – 2 HP & 5 HP	1
	09978-129-2	Impeller – 7.5 HP	1
23	06106A019	Screw – Cap	5
24	07990-003-2	Plate – Seal	1
25	00150-023-1	O-Ring	1
26	19103A043	Screw – Cap	4
27	08206-000-1	Inst Plate	1

Ref. No.	Part No.	Part Description	Qty.
28	07145-000-2	Housing – Bearing	1
29	00568-007-1	Screw – Cap	4
30	00299-002-1	Ring – Retainer Stator	1
31	00294-003-2	Housing – Motor	1
32	04580-001-1	Screw – Drive	2
33	13425-016-1	Nameplate	1
34	00589-002-1	Bolt – Eye	2
35	19100A033	Screw – Cap	2
36	12672A001	Wire Connector 2 & 3 HP 230/1/60 1750 RPM	3
		Wire Connector 2 & 3 HP 200,575/3/60 1750 RPM	3
		Wire Connector 2 & 3 HP 230,460/3/60 1750 RPM	4,6
		Wire Connector 5 HP 230/460/3/60 1750 RPM	1,3
		Wire Connector 7.5 HP 230,460,575V 1750 RPM	3
		Wire Connector all 1 Phase 1150 RPM	3
		Wire Connector 2 HP 200,575/3/60 1750 RPM	3
		Wire Connector 2 HP 230,460/3/60 1150 RPM	4,6
37	02577-000-1	Wire Connector all	1
38	05617-000-1	Oil – Paraffinic	1
39	00517-007-1	Screw-Cap	4
40	01032-002-1	Hex Nut	2
41	05454A023	Lock Washer	4
42	00356-004-2	Discharge Flange	1
43	19105A044	Screw-Cap	2
44	01054-000-1	Gasket	1
–	51700-125-7	Ceramic Seal Kit	
–	51700-126-7	Carbide Seal Kit	

Notes: S – Parts in Seal Kit C – Parts in Carbide Seal Kit I – Parts in Impeller Kit R – Parts in Rebuild Kit

* – CE-B Carbon Ceramic / Buna-n, TC-B Tungsten Carbide / Buna-n, TC-V Tungsten Carbide / Viton

SB4SD



STANDARD LIMITED WARRANTY

HYDROMATIC® warrants its products against defects in material and workmanship for a period of 12 months from the date of shipment from Hydromatic or 18 months from the manufacturing date, whichever occurs first - provided that such products are used compliance with the requirements of the Hydromatic catalog and technical manuals for use in pumping raw sewage, municipal wastewater or similar, abrasive free non-corrosive liquids.

During the warranty period and subject to the conditions set forth, Hydromatic, at its discretion, will repair or replace to the original user, the parts which prove defective in materials and workmanship. Hydromatic reserves the right to change or improve its products or any portions thereof without being obligated to provide such a change or improvement for prior sold and/or shipped units.


Start-up reports and electrical schematics may be required to support warranty claims. Warranty is effective only if Hydromatic authorized control panels are used. All seal fail and heat sensing devices must be hooked up, functional and monitored or this warranty will be void. Hydromatic will only cover the lower seal and labor thereof for all dual seal pumps. Under no circumstance will Hydromatic be responsible for the cost of field labor, travel expenses, rented equipment, removal/reinstallation costs or freight expenses to and from the factory or an authorized Hydromatic service facility.

This limited warranty will not apply: (a) to defects or malfunctions resulting from failure to properly install, operate or maintain the unit in accordance with the printed instructions provided; (b) to failures resulting from abuse, accident or negligence; (c) to normal maintenance services and parts used in connection with such service; (d) to units which are not installed in accordance with applicable local codes, ordinances and good trade practices; (e) if the unit is moved from its original installation location; (f) if unit is used for purposes other than for what it is designed and manufactured; (g) to any unit which has been repaired or altered by anyone other than Hydromatic or an authorized Hydromatic service provider; (h) to any unit which has been repaired using non factory specified/OEM parts.

Warranty Exclusions: HYDROMATIC MAKES NO EXPRESS OR IMPLIED WARRANTIES WHICH EXTEND BEYOND THE DESCRIPTION ON THE FACE HEREOF. HYDROMATIC SPECIFICALLY DISCLAIMS THE IMPLIED WARRANTIES OF MERCHANTABILITY AND FITNESS FOR ANY PARTICULAR PURPOSE.

Liability Limitation: IN NO EVENT SHALL HYDROMATIC BE LIABLE OR RESPONSIBLE FOR CONSEQUENTIAL, INCIDENTAL OR SPECIAL DAMAGES RESULTING FROM OR RELATED IN ANY MANNER TO ANY HYDROMATIC PRODUCT OR PARTS THEREOF. PERSONAL INJURY AND/OR PROPERTY DAMAGE MAY RESULT FROM IMPROPER INSTALLATION. HYDROMATIC DISCLAIMS ALL LIABILITY, INCLUDING LIABILITY UNDER THIS WARRANTY, FOR IMPROPER INSTALLATION. HYDROMATIC RECOMMENDS INSTALLATION BY PROFESSIONALS.

Some states do not permit some or all of the above warranty limitations or the exclusion or limitation of incidental or consequential damages and therefore such limitations may not apply to you. No warranties or representations at any time made by any representatives of Hydromatic shall vary or expand the provision hereof.

 Pentair Water™ USA 740 East 9th Street, Ashland, Ohio 44805 Tel: 419-289-3042 Fax: 419-281-4087	- Your Authorized Local Distributor -
	CANADA 269 Trillium Drive, Kitchener, Ontario, Canada N2G 4W5 Tel: 519-896-2163 Fax: 519-896-6337

www.hydraulic.com

Distributor: _____ Order No.: _____
Installing Contractor: _____ Phone: _____
Sales Contact: _____ Phone: _____
Customer: _____
Location: _____

1. SYSTEM INFORMATION

Size of Wet Well: _____ Manufacturer: _____
Discharge from Bottom of Basin: _____ Discharge Location: _____
Inlet from Bottom of Basin: _____ Inlet Location: _____
Type of Check Valves: _____ Type of Piping: _____
Does System Have Suction Gauges? Yes No Suction Pressure Reading: _____
Does System Have Discharge Gauges? Yes No Discharge Pressure Reading: _____
Liquid Being Pumped: _____ Temperature (F°): _____ Pct. of Solid (%): _____
Is a Sketch or Photograph of System Available? Yes No *If So, Please Attach.*
Any Additional Comments on System: _____

2. ELECTRICAL INFORMATION

Control Panel Part Number: _____ Panel Rated Amps: _____
Manufacturer: _____ Voltage: _____ Phase: _____
Heater Size: _____ Location of Panel to Wet Well: _____
Incoming Line Voltage: _____ Actual? _____
Voltage to Pumps: _____ Actual? _____
Type of Junction Box: _____ Manufacturer of Junction Box: _____
Are Floats Installed in Wet Well? Yes No Are Floats Set to Engineer's Specs? Yes No
Are Floats Wired for Proper Sequencing? Yes No Are Heat Sensors Hooked Up? Yes No
Is the Seal Leak Detection Hooked Up? Yes No
Any Additional Comments on Electrical: _____

3. PUMP INFORMATION

Type of Pump: _____ Serial Number of Pump: _____
Voltage of Pump: _____ Phase: _____ RPM: _____ Amps: _____
Impeller Size: _____ C.O.S. TDH: _____ GPM: _____
Voltage Supplied from Panel: _____ Actual? _____
Actual Amperage (All Phases): Phase 1 Amps: _____ Phase 2 Amps: _____ Phase 3 Amps: _____
Define the Rotation of the Pump: Clockwise Counterclockwise
Method Used to Check Rotation: Viewed from the Top Viewed from the Bottom
Any Additional Comments on Pumps: _____

4. ACKNOWLEDGE

Acknowledge that all information is accurate and proper procedures have been followed.
Customer: _____ Date: _____
Start-up Technician: _____ Date: _____

Send to Warranty Manager, 1101 Myers Parkway, Ashland, OH 44805
or Fax to 419-207-3344
or email to startupreport@hydromatic.com
or submit online at <http://forms.pentairliterature.com/startupform/startupform.asp?type=h>