

HYDROMATIC®

ENGINEERED PRODUCTS

S3SD/S4SD & SB3SD/SB4SD

Submersible Sewage
Dual Seal Pumps



Submersible Sewage Dual Seal Pumps

FEATURES

Hydromatic introduces a competitively priced line of quality 3" and 4" discharge non-clog sewage pumps. The S3SD/S4SD and SB3SD/SB4SD Series of 1 through 7-1/2 HP pumps feature horizontal or vertical discharge options for quick and easy installations. The quality double ball bearing, dual mechanical seal pumps incorporate a stainless steel shaft and internal heat sensor protection. Coupled with strong performance capabilities up to 55 head and flows up to 700 gpm. Hydromatic's dual seal pumps are suited to wet-well installation in a wide variety of Municipal, Industrial and building trades applications.

The Hydromatic S3SD/S4SD and SB3SD/SB4SD sewage pumps are designed to transfer raw sewage with solids as large as 3 inches through pipes up to 4 inches in diameter.

Sewage pumps are necessary to move sewage from a building to the sewer system; and in many cases, from the sewer system to a treatment plant. In the case of larger commercial installations, collection systems are designed to accumulate and transfer the waste water efficiently.

Examples of this are motels, apartment buildings, or Industrial plants that tie in with sewer mains or on site treatment facilities. For commercial or high volume applications, the usual procedure is to incorporate at least two pumps as a duplex system in conjunction with control panel, a guide system and quick disconnect discharge system. Hydromatic S3SD/S4SD pumps provide maximum value that can't be beat!



Model: S3SD



The Hydromatic S3SD/S4SD can be used with the Hydromatic pultruded I-beam rail system for easy installations. The corrosion resistant rail system permits the pump(s) to be lowered into position without entering the wet well. An exclusive self-sealing flange eliminates the need to bolt pump to the piping system. When the pump is activated, a Neoprene diaphragm forms an effective seal between the discharge flange and the base elbow flange. A Hydromatic control panel will ensure proper start components and equal pump alternation.

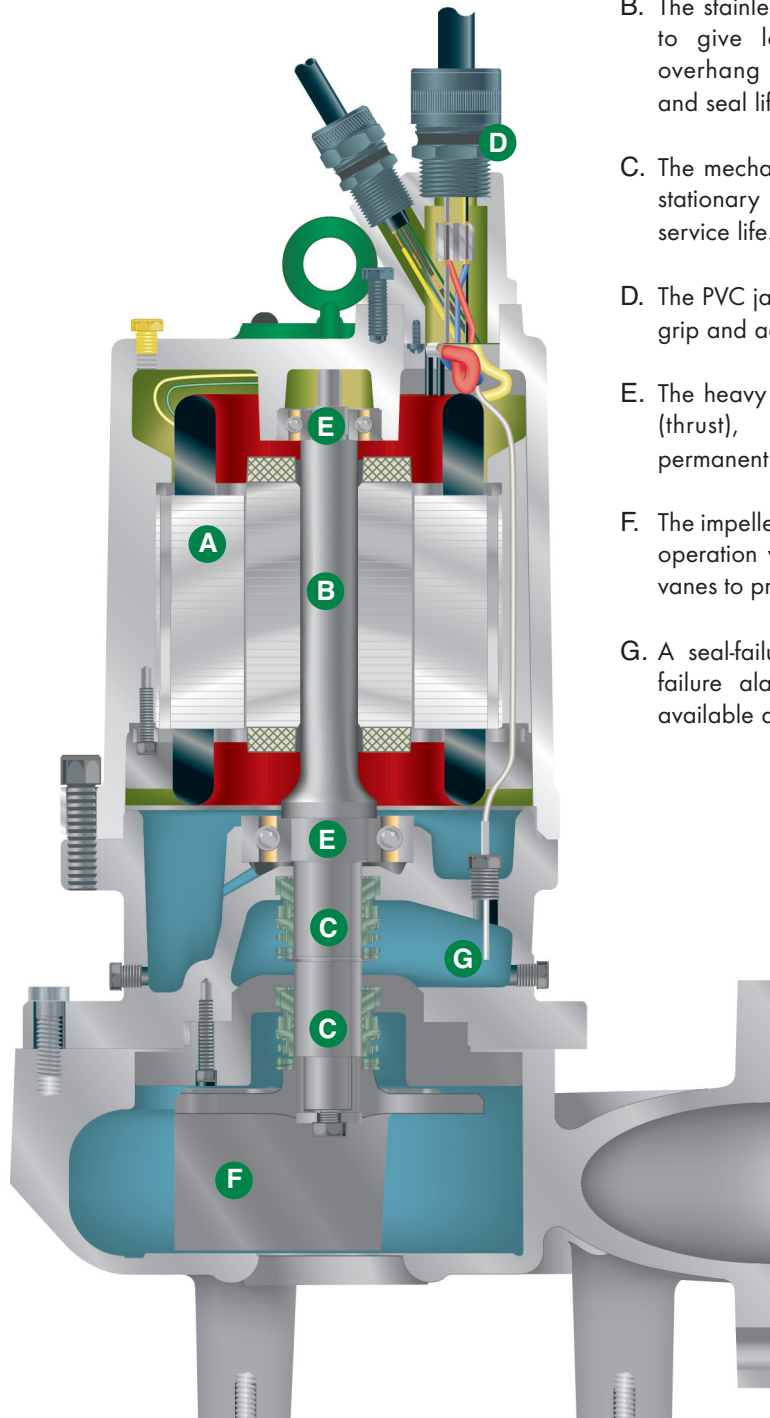
- Quality double ball bearing, dual mechanical seal
- Oil-filled motor for cooler operation, longer life, and less maintenance. The dielectric oil effectively dissipates heat and lubricates upper and lower ball bearings.
- The start and run capacitors are located in the control panel for single phase motors. Contact your Hydromatic distributor for proper Hydromatic control panel sizing.
- Standard construction is cast iron.
- 400 Series Stainless steel shafts.
- Standard 30' power cord has three conductor PVC jacket.
- Field serviceable; pumps have 300 series stainless steel fasteners for easy tear down.
- Semi-open, two-vane sewage type impellers have pump-out vanes on back shrouds to prevent stringy materials from building up around shaft and seal.
- Manufactured with carbon and ceramic faced mechanical shaft seal for long leak proof life.
- All units given complete hydraulic test run before shipping.



Model: SB4SD

Submersible Sewage Dual Seal Pumps

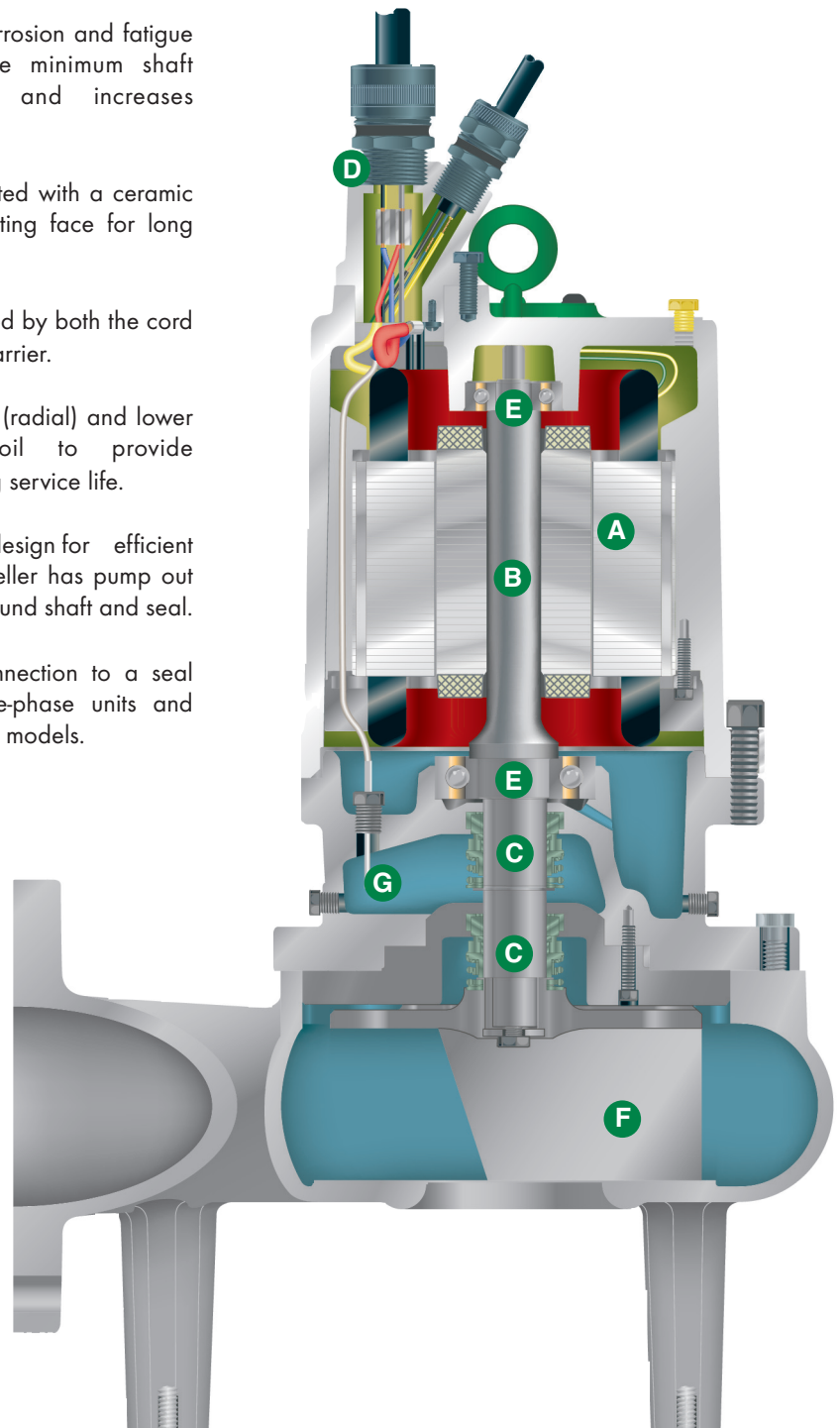
BENEFITS



Model: S3SD

- A. The fully enclosed oil-filled motor efficiently dissipates heat and locks out moisture so you receive reliable pumping service.
- B. The stainless steel shaft eliminates corrosion and fatigue to give longer pump life. The minimum shaft overhang decreases deflection and increases and seal life.
- C. The mechanical dual seal is constructed with a ceramic stationary face and a carbon rotating face for long service life.
- D. The PVC jacketed power cord is sealed by both the cord grip and additionally by the epoxy barrier.
- E. The heavy duty ball bearings, upper (radial) and lower (thrust), are submerged in oil to provide permanent lubrication and insure long service life.
- F. The impeller is a two vane semi-open design for efficient operation without clogging. The impeller has pump out vanes to prevent material build up around shaft and seal.
- G. A seal-failure sensor probe (for connection to a seal failure alarm) is standard on three-phase units and available as a option on single phase models.

- A. The fully enclosed oil-filled motor efficiently dissipates heat and locks out moisture so you receive reliable pumping service.
- B. The stainless steel shaft eliminates corrosion and fatigue to give longer pump life. The minimum shaft overhang decreases deflection and increases and seal life.
- C. The mechanical dual seal is constructed with a ceramic stationary face and a carbon rotating face for long service life.
- D. The PVC jacketed power cord is sealed by both the cord grip and additionally by the epoxy barrier.
- E. The heavy duty ball bearings, upper (radial) and lower (thrust), are submerged in oil to provide permanent lubrication and insure long service life.
- F. The impeller is a two vane semi-open design for efficient operation without clogging. The impeller has pump out vanes to prevent material build up around shaft and seal.
- G. A seal-failure sensor probe (for connection to a seal failure alarm) is standard on three-phase units and available as a option on single phase models.



Model: S4SD

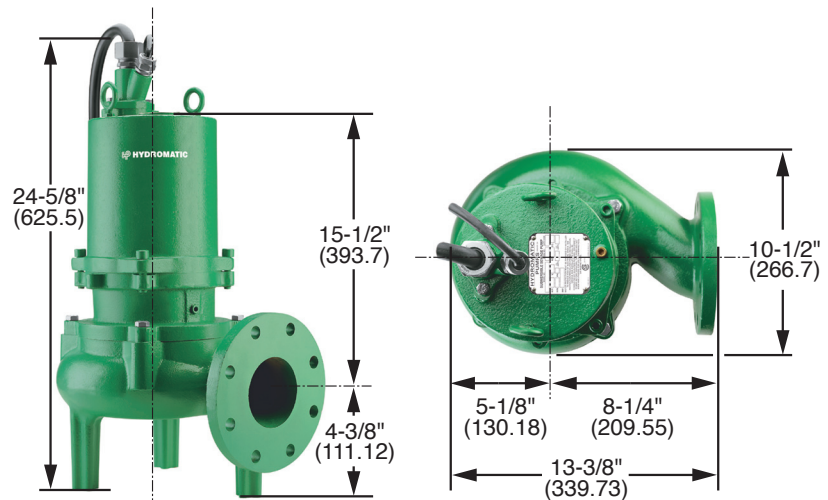
Submersible Sewage Dual Seal Pumps

DETAILS

Pumps Characteristics

Pump/Motor Unit	Submersible-Sewage Ejector	
Phase	1 Ø	3 Ø
Voltage	208/230	208/230/460/575
Horsepower	1, 1.5, 2, 3 & 5	1.5, 2, 3, 5 & 7.5
Motor Type	Oil Cooled Induction	
	1 Ø = Capacitor Start	
R.P.M.	1750/1150	
Temp.	140° F Ambient	
Operation	Intermediate	
Hertz	60 Hz	
Thermal Overload	Bi-Metallic	
Temperature	Max. Water 140° F	
NEMA Design	Type B (3 Ø)	Type L (1 Ø)
Insulation	Class F	
Discharge Size	3" Flanged/4" Flanged	
NPT or Flanged	3"/4"	
Unit Weight	180 lbs.	
Power Cord	Type STW-A Water Resistant	
	600 V, 60° C CSA Approved 35' Ft. Std.	

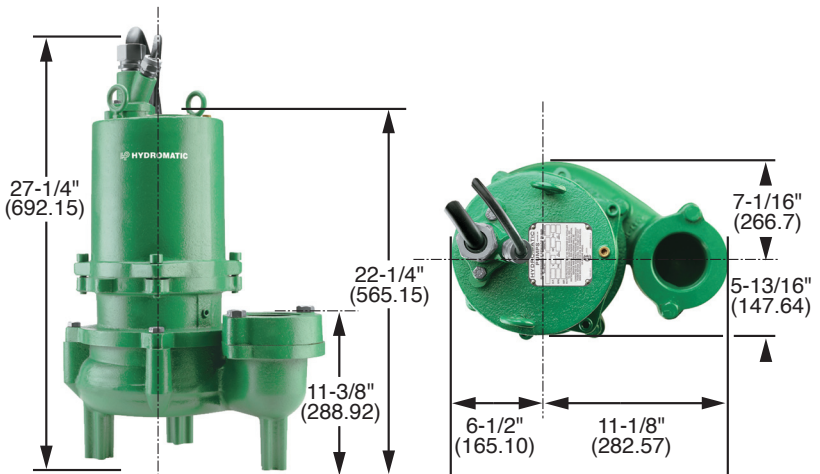
Dimensional Data



Model: S3SD

Materials of Construction

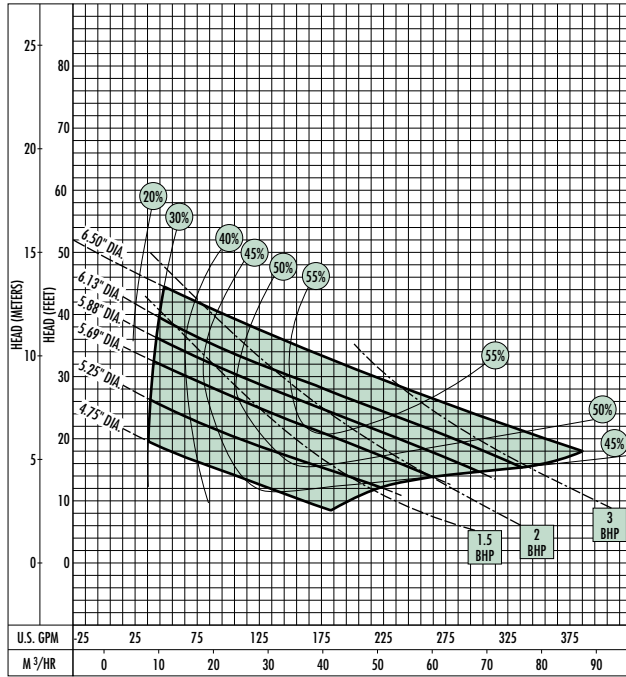
Motor Housing	Cast Iron ASTM-48, Class 30
Pump Casing	Cast Iron ASTM-48, Class 30
Coolant/Lubricant	Dielectric Oil
Shaft	Stainless Steel
Mechanical Shaft Seal	Seal Faces: Carbon/Ceramic Seal Body: Stainless Steel Spring: Stainless Steel Bellows: Buna-N
Impeller	Two-Vane Semi-Open Cast Iron
Upper Bearing	Single Row Ball Bearing
Lower Bearing	Single Row Ball Bearing
Fasteners	Stainless Steel



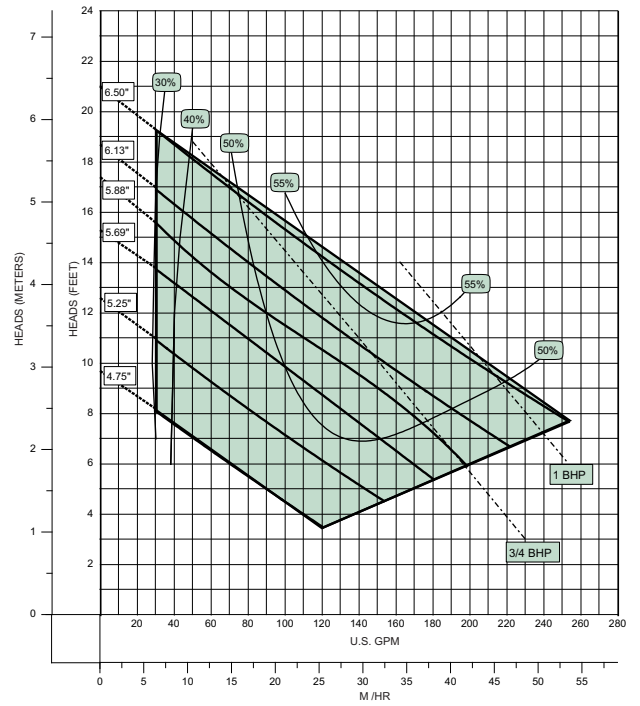
Model: SB4SD

All dimensions in inches. Metric for international use. Component dimensions may vary $\pm 1/8$ inch. Dimensional data not for construction purpose unless certified. Dimensions and weights are approximate. On/Off level adjustable. We reserve the right to make revisions to our product (s) and the product (s) specifications without notice.

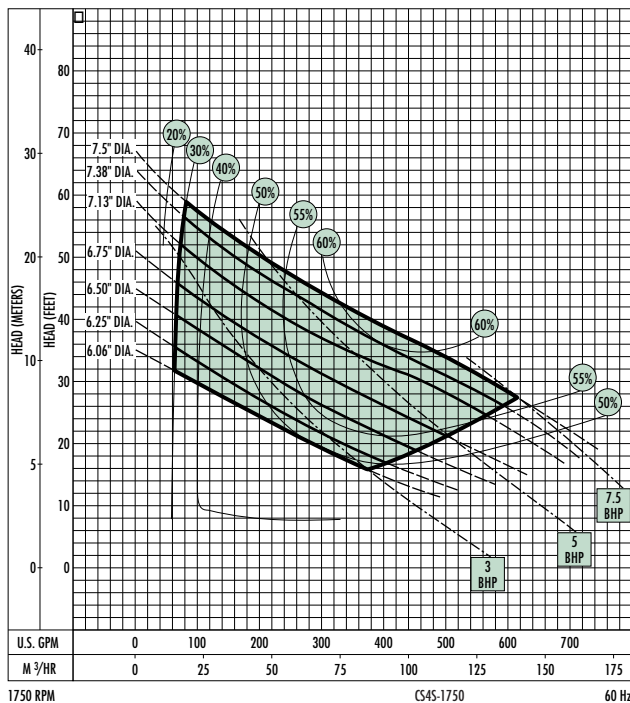
S3SD/SB3SD Performance Curve 1750 RPM



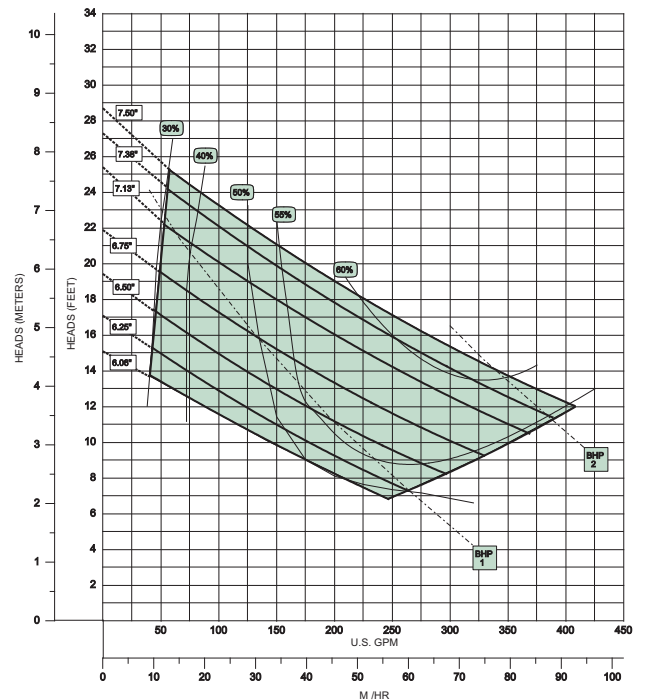
1150 RPM



S4SD/SB4SD Performance Curve 1750 RPM



1150 RPM



Submersible Sewage Dual Seal Pumps

ORDER A COMPLETE SYSTEM

A complete system from Hydromatic would include a Dual Seal Pump, Hydromatic control panel, level controls, and rail system. For more information, please contact your local distributor or the Hydromatic sales office in Ashland, Ohio at 419-289-3042.



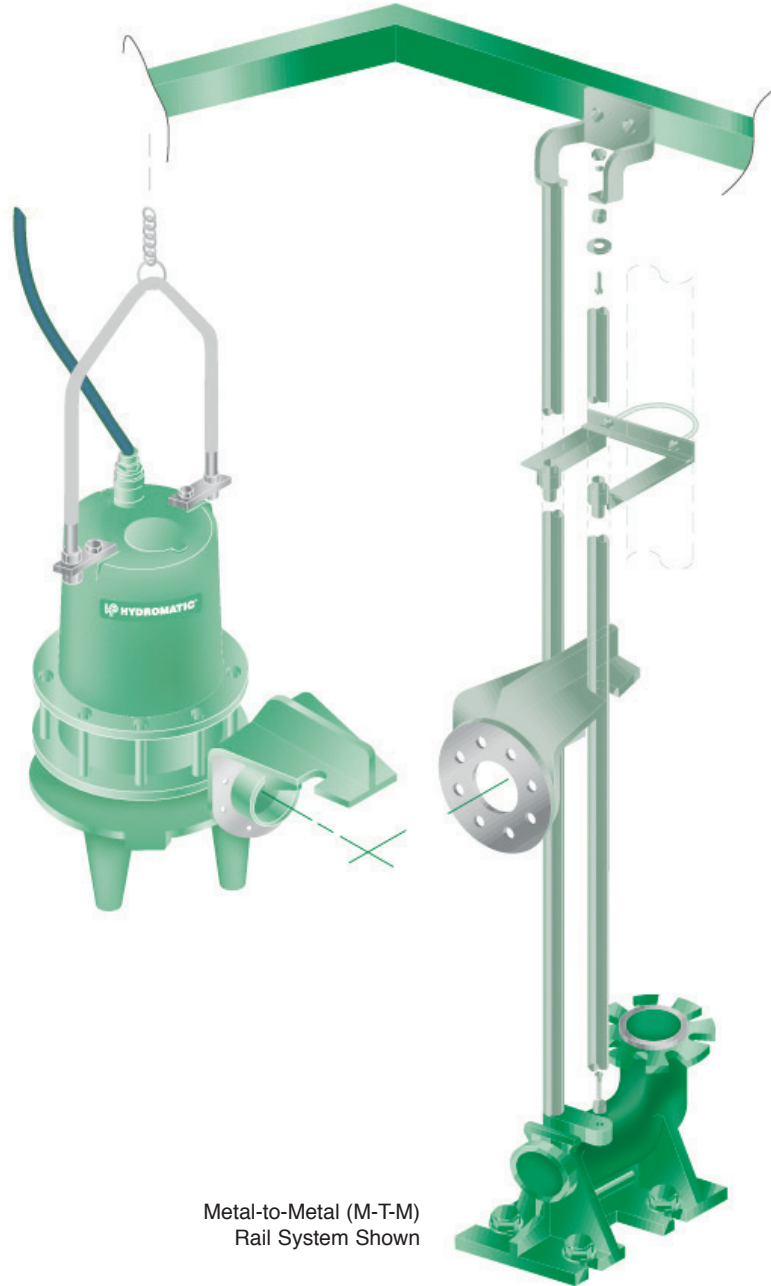
S4SD Sewage Pump



Control Panel



3900 Level Control Switch



Metal-to-Metal (M-T-M)
Rail System Shown



HYDRAMATIC®
ENGINEERED PRODUCTS
USA

740 East 9th Street Ashland, Ohio 44805
Tel: 419-289-3042 Fax: 419-281-4087

www.hydraulic.com

- Your Authorized Local Distributor -

CANADA

269 Trillium Drive Kitchener, Ontario, Canada N2G 4W5
Tel: 519-896-2163 Fax: 519-896-6337