

V1D Series



Sewage grinding, effluent and wastewater removal

Horsepower	1
Max. head	16 ft
Max. flow rate	264 GPM
Voltage	200V / 1Ø, 9. FLA, 60HZ
	230V / 1Ø, 8 FLA, 60HZ
	200V / 3Ø, 9 FLA, 60HZ
Voltage	230V / 3Ø, 6.2 FLA, 60HZ
	460V / 3Ø, 3.5 FLA, 60HZ
	Cable
Bearing	Ball Bearing
O-rings	NBR 70
Shaft seal motor side	Lip Seal
Shaft seal medium side	SiC Mech. Seal
Volute type / material	Cast Iron
Discharge connection	ANSI #150
Inlet diameter	Ø 3.94"
Impeller type / material	Vortex / Cast Iron
Impeller diameter	5.906"
Free passage	3.937"
Weight with cable	108 lbs
Material	
Coating	2K Epoxy, 80 µm, (Black)

Superior Features

MULTIFREE™ VORTEX IMPELLER SYSTEM – SUPERIOR SOLIDS HANDLING

- High-Speed Rotary Action – Spins solids away from, not through, impeller
- Large Solid Removal – Easily handles up to 4" abrasive, fibrous and solid matter
- Commercial-Grade Components – For long service life and high operational reliability

High Efficiency Motor

- Continuous-Duty Rated – Maintains performance specifications at 100% duty cycle
- Air-Cooled – Outperforms oil-filled motors for superior cooling and longer life
- Oil-Free – Cleaner maintenance and no oil-disposal issues

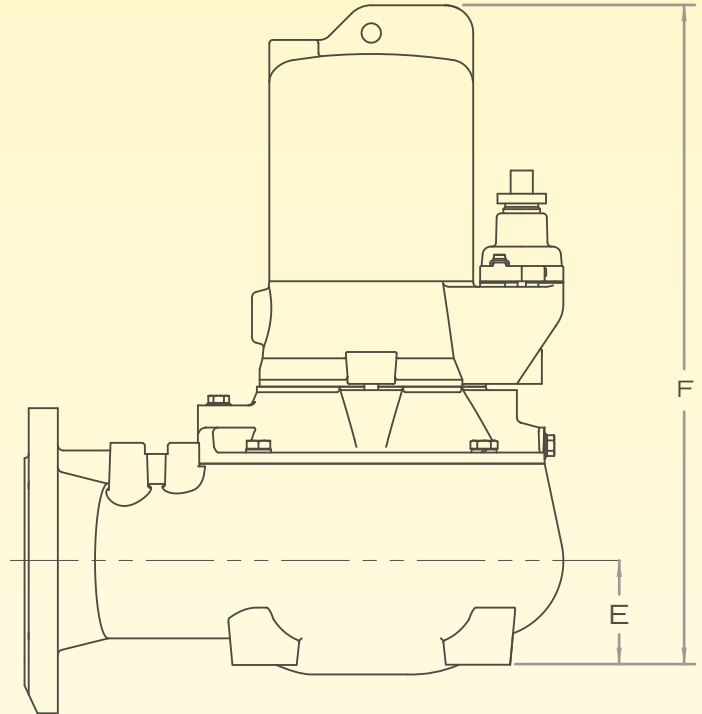
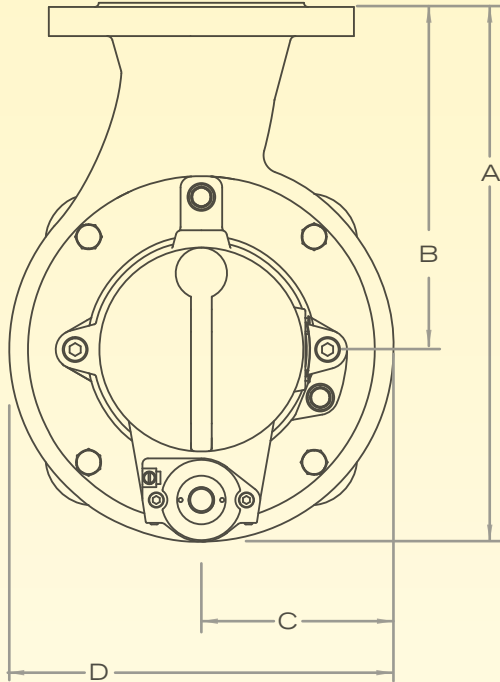
Superior Seals

- Silicon-Carbide Mechanical Seals – Superior abrasion resistance
- Dry-Run Safe – Conducts heat from the seal when pump is run dry
- Double Seal With Leak Detection – Redundant seals with alert system if seals fail (*optional)



V1D Series

Dimensions



VORTEX MODEL	A		B		C		D		E		F	
	mm	in	mm	in	mm	in	mm	in	mm	in	mm	in
V1D-01	385.5	15.18	247	9.72	138.5	5.45	277	10.91	75	2.95	440.5	17.34
V1D-21	385.5	15.18	247	9.72	138.5	5.45	277	10.91	75	2.95	440.5	17.34
V1D-03	385.5	15.18	247	9.72	138.5	5.45	277	10.91	75	2.95	440.5	17.34
V1D-23	385.5	15.18	247	9.72	138.5	5.45	277	10.91	75	2.95	440.5	17.34
V1D-43	385.5	15.18	247	9.72	138.5	5.45	277	10.91	75	2.95	440.5	17.34

FAST, PROFESSIONAL, DETAILED SUPPORT

Tell Us about Your Specific Jobsite Requirements

You can count on us to deliver the very best solutions.

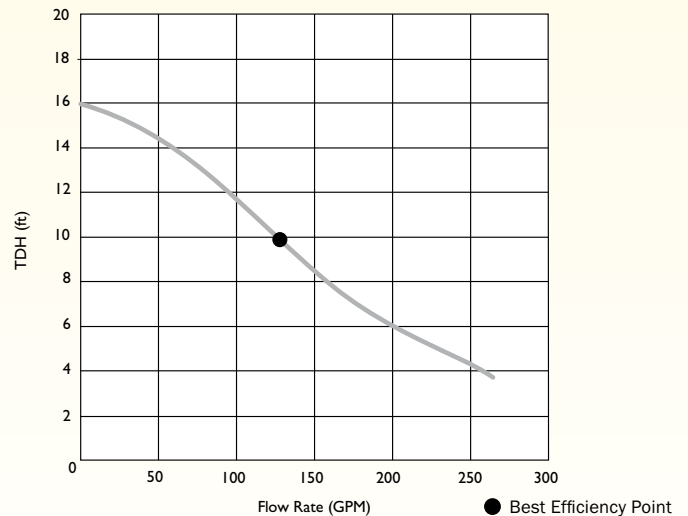
Fast Turnaround with Your Custom Quotation

Our technical sales department will prepare a detailed quotation with drawings for your specific submittal package within 24 hours!

Quick Shipment Program

Fully Stocked U.S. Inventory - Our quick ship program can turn an order around in as little as 24 hours* - includes U.S.-based factory-assembled components such as floats, brackets and guide rails, reducing jobsite labor - everything you need for a fast, turnkey solution.

*Please allow additional time for orders requiring impeller trims or other requirements.



USA
Wholesale/Residential Products - 7:00 AM - 5:00 PM CST
Tel: 888-957-8677 Orders Fax: 800-426-9446

Canada
519-896-2163 Kitchener, Ontario Canada
Orders Fax: 519-896-6337

www.hydomatic.com