

G2DT/G2D Series



Sewage grinding, effluent and wastewater removal

	G2DT	G2D
Horsepower	2	2
Max. head	56'	82
Max. flow rate	73 GPM	75
	200V / 1 Ø, 9.2 FLA, 60HZ	200V / 1 Ø, 13.8 FLA, 60HZ
	230V / 1 Ø, 8.2 FLA, 60HZ	230V / 1 Ø, 12 FLA, 60HZ
Voltage	200V / 3 Ø, 6 FLA, 60HZ	200V / 3 Ø, 8.6 FLA, 60HZ
	230V / 3 Ø, 5.1 FLA, 60HZ	230V / 3 Ø, 7.3 FLA, 60HZ
	460V / 3 Ø, 2.6 FLA, 60HZ	460V / 3 Ø, 3.7 FLA, 60HZ
Cable	25' SOOW 12/6 AWG 12	25' SOOW 12/6 AWG 12
Bearing	Ball Bearing	Ball Bearing
O-rings	NBR 70	NBR 70
Shaft seal motor side	Lip Seal	Lip Seal
Shaft seal medium side	SiC Mech. Seal	SiC Mech. Seal
Volute type / material	Cast Iron	Cast Iron
Discharge connection	1-1/4" NPT	1-1/4" NPT
Inlet diameter	8xØ .315"	8xØ .315
Impeller type / material	Radial Open (Cast Iron)	Radial Open / Cast Iron
Impeller diameter	4.488"	1Ø 5.118"; 3Ø 5.315"
Free passage	0.276"	0.276
Weight with cable	62 lbs	3Ø 64; 1Ø 84
Material		
Coating	2K Epoxy, 80 µm, (Black)	2K Epoxy, 80 µm, (Black)
Cutter	1.4112, 57 HRC (SST)	1.4112, 57 HRC (SST)
Cutter plate	1.4112, 57 HRC (SST)	1.4112, 57 HRC (SST)

Superior Features

MULTI-CUT™ ADVANCED HIGH TORQUE CUTTING SYSTEM

- Maximum Torque – Better disintegration of solids & fibrous matter
- Adjustable Self-Cleaning Blades – Longer blade life and lower maintenance costs
- Intelligent™ Trash-Rejection – Prevents clogging and preserves blades and motor

High Efficiency Motor

- Continuous-Duty Rated – Maintains performance specifications at 100% duty cycle
- Air-Cooled – Outperforms oil-filled motors for superior cooling and longer life
- Oil-Free – Cleaner maintenance and no oil-disposal issues

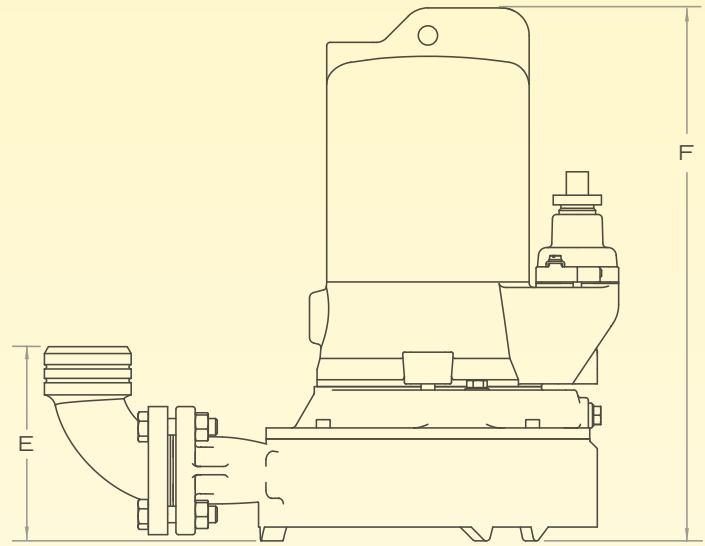
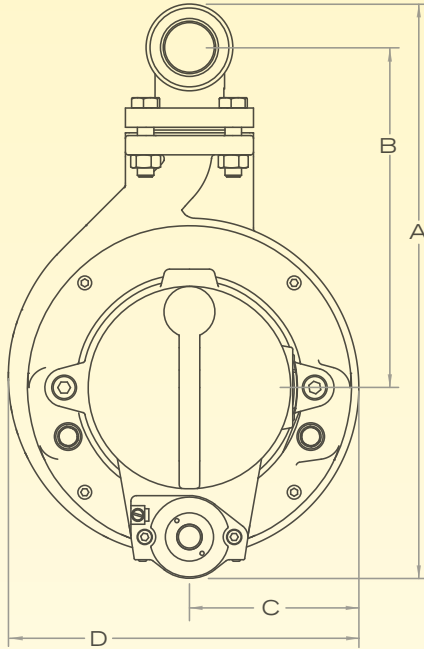
Superior Seals

- Silicon-Carbide Mechanical Seals – Superior abrasion resistance
- Dry-Run Safe – Conducts heat from the seal when pump is run dry
- Double Seal With Leak Detection – Redundant seals with alert system if seals fail (*optional)



G2DT/G2D Series

Dimensions



GRINDER MODEL	A		B		C		D		E		F	
	mm	in	mm	in	mm	in	mm	in	mm	in	mm	in
G2DT-01	378.4	14.9	221.9	8.73	103	4.06	217.1	8.55	136.5	5.37	349.5	13.76
G2DT-21	378.4	14.9	221.9	8.73	103	4.06	217.1	8.55	136.5	5.37	349.5	13.76
G2DT-03	378.4	14.9	221.9	8.73	103	4.06	217.1	8.55	136.5	5.37	349.5	13.76
G2DT-23	378.4	14.9	221.9	8.73	103	4.06	217.1	8.55	136.5	5.37	349.5	13.76
G2DT-43	378.4	14.9	221.9	8.73	103	4.06	217.1	8.55	136.5	5.37	349.5	13.76
G2D-01	417	16.42	247	9.72	123	4.84	254.5	10.02	141	5.55	387	15.24
G2D-21	417	16.42	247	9.72	123	4.84	254.5	10.02	141	5.55	387	15.24
G2D-03	378.4	14.9	221.9	8.73	103	4.06	217.1	8.55	136.5	5.37	349.5	13.76
G2D-23	378.4	14.9	221.9	8.73	103	4.06	217.1	8.55	136.5	5.37	349.5	13.76
G2D-43	378.4	14.9	221.9	8.73	103	4.06	217.1	8.55	136.5	5.37	349.5	13.76

FAST, PROFESSIONAL, DETAILED SUPPORT

Tell Us about Your Specific Jobsite Requirements

You can count on us to deliver the very best solutions.

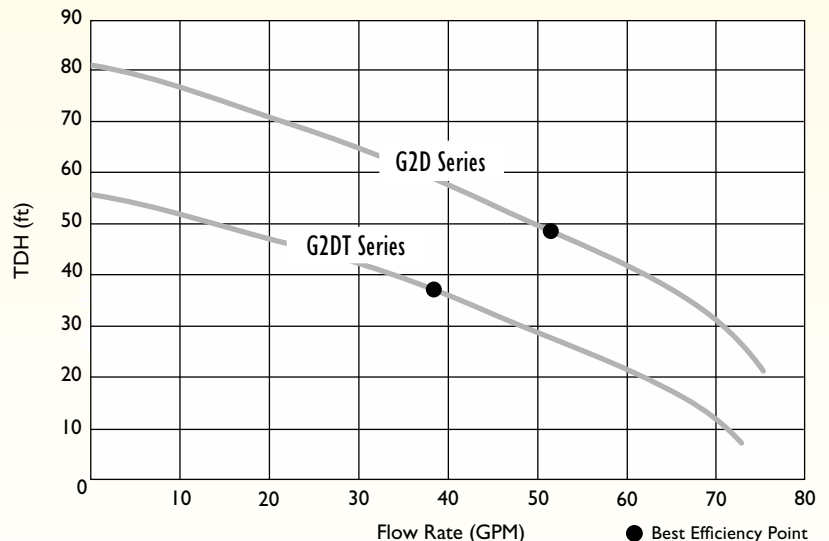
Fast Turnaround with Your Custom Quotation

Our technical sales department will prepare a detailed quotation with drawings for your specific submittal package within 24 hours!

Quick Shipment Program

Fully Stocked U.S. Inventory - Our quick ship program can turn an order around in as little as 24 hours* - includes U.S.-based factory-assembled components such as floats, brackets and guide rails, reducing jobsite labor - everything you need for a fast, turnkey solution.

*Please allow additional time for orders requiring impeller trims or other requirements.



USA
Wholesale/Residential Products - 7:00 AM - 5:00 PM CST
Tel: 888-957-8677 Orders Fax: 800-426-9446

Canada
519-896-2163 Kitchener, Ontario Canada
Orders Fax: 519-896-6337

www.hydromatic.com