



Pentair Water

1101 Myers Parkway

Ashland, OH 44805

Phone: 1-888-987-8677

Fax: 1-800-426-9446

Web Site: <http://www.myerspump.com>

OWNER'S MANUAL

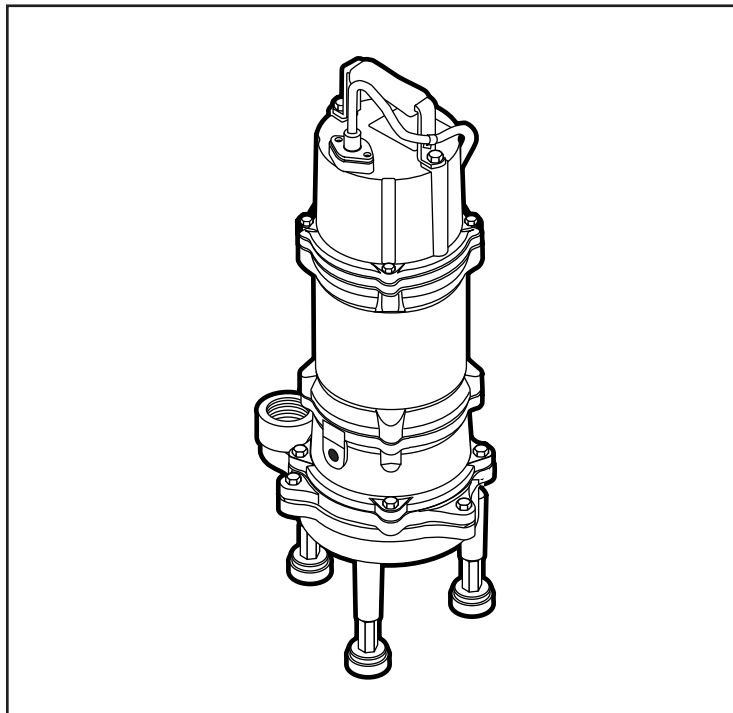
Submersible Grinder Pumps

NOTICE D'UTILISATION

Pompes broyeuses submersibles

MANUAL DEL PROPIETARIO

Bombas amoladoras sumergibles



**MRGD200MC2, MRGD200MC3,
MRGD200MC4**

Installation/Operation/Parts

*For further operating, installation,
or maintenance assistance:*

Call 1-888-987-8677

English Pages 2-9

Installation/Fonctionnement/Pièces

*Pour plus de renseignements
concernant l'utilisation,
l'installation ou l'entretien,*

Composer le 1 (888) 987-8677

Français Pages 10-17

Instalación/Operación/Piezas

*Para mayor información sobre el
funcionamiento, instalación o
mantenimiento de la bomba:*

Llame al 1-888-987-8677

Español Páginas 18-25

Unpacking and Inspection

Handle with care. Check the items received against the packing list to be sure that all equipment has been received. Inspect the pump for shipping damage. If any is found, file a claim with the carrier immediately.

General Safety Information

READ AND FOLLOW SAFETY INSTRUCTIONS!

⚠ This is the safety alert symbol. When you see this symbol on your pump or in this manual, look for one of the following signal words and be alert to the potential for personal injury.

⚠ DANGER Warns about hazards that **will** cause serious personal injury, death, or major property damage if ignored.

⚠ WARNING Warns about hazards that **can** cause serious personal injury, death, or major property damage if ignored.

⚠ CAUTION Warns about hazards that **will** or **can** cause minor personal injury or property damage if ignored.

NOTE: Indicates special instructions which are important but not related to hazards.

NOTE: Install the pump in the vertical position only. Installing the pump in any other position will void the warranty.

NOTE: This unit is not designed for applications involving salt water or brine! Use with salt water or brine will void warranty.

1. To avoid serious injury and/or property damage, read these rules and instructions carefully.
2. Check your local codes before installing. You must comply with their rules.
3. Vent any sewage or septic tank according to local codes.

4. Do not install the pump in any location classified as hazardous by National Electrical Code, ANSI/NFPA 70-1984.
5. The pump can run hot. To avoid burns when servicing the pump, allow it to cool for 20 minutes after shut-down before handling it.
6. Do not run the pump dry. Dry running can overheat the pump and will void the warranty.
7. The pump is permanently lubricated. Check the oil level in the seal plate periodically. Check for water in the oil in the seal plate. See instructions under "Operation/Lubrication", Page 4.

⚠ WARNING Hazardous voltage. Can shock, burn, or kill. During operation the pump is in water. To avoid fatal shock, proceed as follows if the pump needs servicing:

⚠ Electrically ground the pump to a suitable ground such as a grounded water pipe, a properly grounded metallic raceway, or a ground wire system.

⚠ Do not remove cord or strain relief.

⚠ Do not connect conduit to pump.

⚠ Do not lift the pump by the power cord (See 'Cord Lift Warning', below).

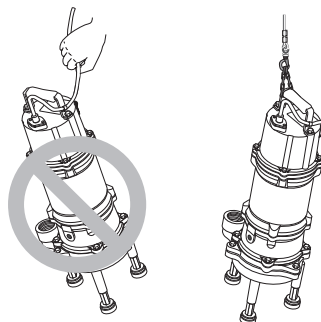
- A. Ground the pump according to all applicable codes and ordinances.
- B. Disconnect the power to the outlet box or circuit breaker before servicing.
- C. To reduce the risk of electric shock, take care when changing fuses or resetting the circuit breaker. Do not stand in water when working on the control box or with the circuit breaker.
- D. This pump is intended for permanent connection only. Provide a strain relief at the control box for the power supply cord connection to box. All control components must be UL or CSA listed and suitable for end use application. Only qualified personnel should install the pump and associated control equipment.

⚠ WARNING



Risk of electrical shock.
Can burn or kill.
Do not lift pump by power cord.

CORD LIFT WARNING



Risk of electrical shock and fire.

1. Attempting to lift or support the pump by the power cord can damage cord and cord connections, expose bare wires, and cause a fire or electrical shock.
4. Use handle on top of pump for all lifting or lowering of pump. Disconnect the power to the pump before doing any work on it or attempting to remove it from the pit.
3. Lifting or supporting the pump by the power cord will void the warranty.

Installation

This pump may be installed on a guide-rail lift-out system for ease of inspection and service. Guide rails allow removal of the pump without disturbing the piping or requiring personnel to enter the wetwell (most codes require protective equipment and training before entering the wetwell). If installed with a guide-rail system, place the pump opposite the influent opening to prevent stagnant areas where solids can settle.

Install the pump on a hard, level surface (cement, asphalt, etc.). Never place the pump directly on earth, clay, or gravel surfaces. The basin must be at least 18" (458 mm) in diameter and 30" (762 mm) deep.

The pump's feet are shipped loose in the crate with the pump. Install them before putting the pump in the pit.

Pump Mount

Install the pump as a free standing unit.

Set the pump on the floor of the basin. Install a pipe union in the discharge piping to allow removal for servicing.

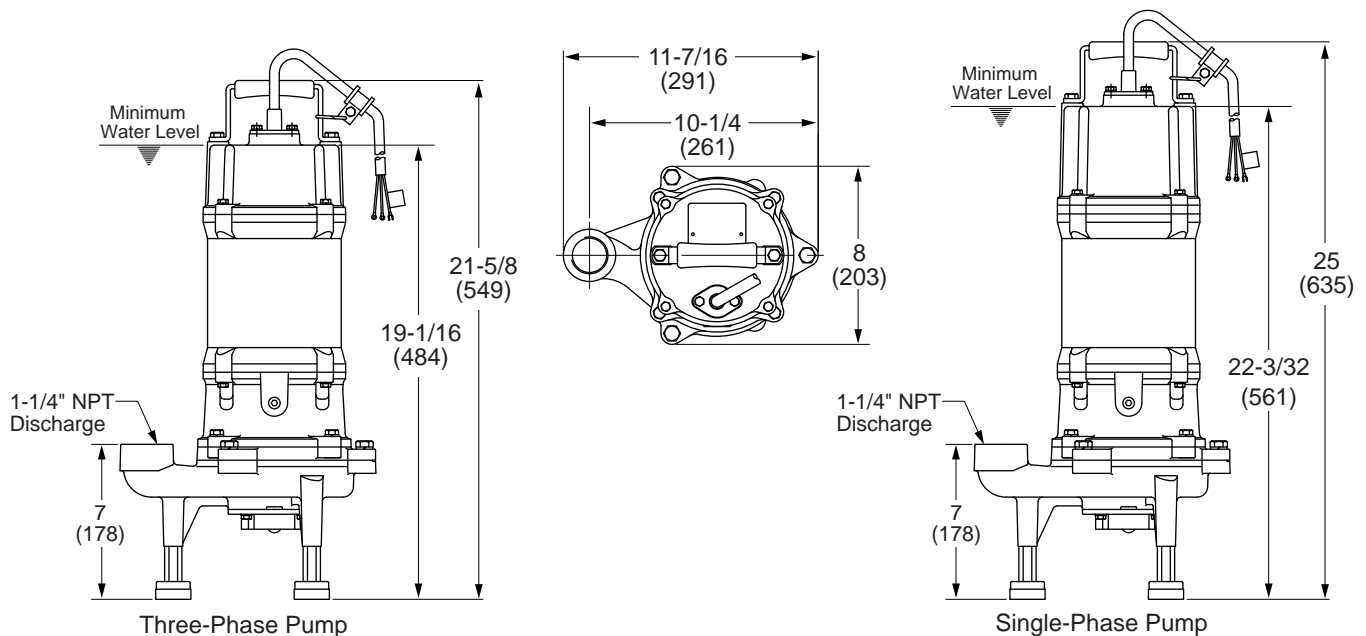
Piping

The piping must not be smaller than the pump discharge.

Electrical

⚠ WARNING Hazardous voltage. Can shock, burn, start a fire, or kill. When installing, operating, or servicing this pump, follow electrical safety instructions below. Only trained service personnel should install or service this pump.

1. DO NOT splice the power cord.
2. DO NOT handle or service the pump while it is connected to the power supply.
3. DO NOT operate the pump unless it is properly grounded. Wire the pump directly into a grounded terminal block in an automatic float or pump controller box for automatic operation. Connect the pump according to all applicable codes. For continuous operation, wire the pump directly into the switch box.
4. Incorrect voltage can cause a fire or seriously damage the motor and voids the warranty. Make sure that the frequency and voltage shown on the nameplate corresponds to the frequency and voltage of the electrical supply. The supply voltage must be within + 10% of the nameplate voltage. If in doubt consult a licensed electrician.
5. The pump rotation must be clockwise (↻ – viewed from the top of the pump). NEVER operate it in reverse.
6. Connect the pump to its own circuit with nothing else on the circuit. See Table I, Page 4, for fuse or circuit breaker sizes. See Figures 2 and 3 for 230/460 Volt 3 phase connection diagrams. Use a control panel sized to match the pump. Refer to Control panel installation instructions for wiring connection information.
7. Install the pump in accordance with all electrical codes that apply. Install a fused disconnect switch or circuit breaker in accordance with local codes.
8. If a three phase unit runs backwards, interchange two of the three power supply wires to reverse the motor's direction of rotation.



4331 0203

Figure 1: Dimensions in Inches (mm)

TABLE I: Motor, Switch, & Cord Specifications

Model Number	Motor HP	Voltage	Motor Full Load Amps	Individual Branch Circuit Required (Amps)	Cord Length in ft. (m)	Minimum Water Level in inches (mm)	Discharge Adapter Size	Max Temp. Rating (°F)
								Intermittent
MRGD200MC2	2	230/60/1	13.0	20	20 (6.1)	22 1/2 (572)	1 1/4 NPT	122
MRGD200MC3	2	230/60/3	8.2	15	20 (6.1)	19 1/2 (496)	1 1/4 NPT	122
MRGD200MC4	2	460/60/3	4.1	15	20 (6.1)	19 1/2 (496)	1 1/4 NPT	122

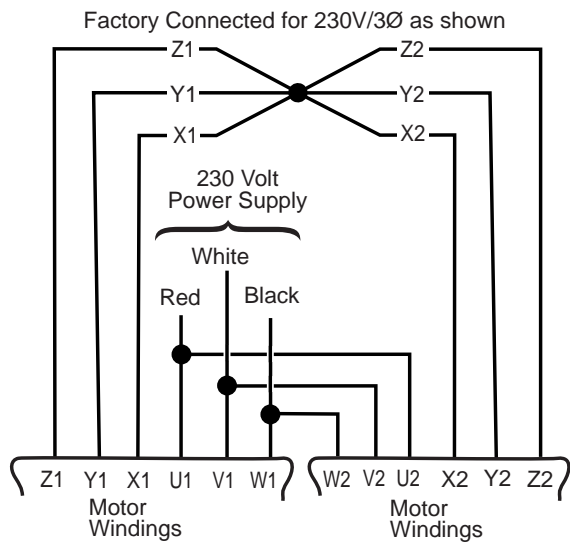


Figure 2: 230 Volt 3 Phase Wiring Connections

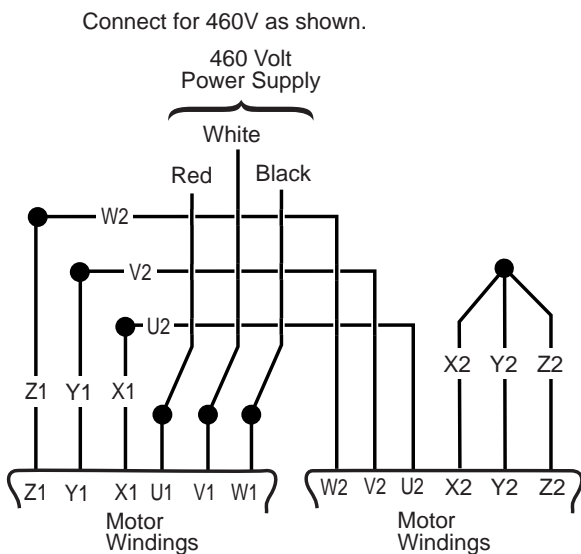


Figure 3: 460 Volt 3 Phase Wiring Connections

Control Panels

⚠ WARNING Risk of electric shock. Ground pump and motor before connecting controls or power supply. Adhere to local electrical codes governing pump and control installations.

A control panel is not included with the pump.

Install simplex or duplex control panel (purchase separately) for proper pump operation. A full range of controls and switches is listed in our catalog.

If a Myers control panel is not used, install a control panel with circuit breaker or fused disconnect as required by local code. Use magnetic starters with ambient compensated overload protection. Three phase units require three line protection; single phase units require only one line protection. Inadequate protection voids the warranty.

Control Panel Overload Adjustment – Three Phase

NOTICE: See your control panel installation and operating instructions before adjusting overload setting.

Set the overload protective device to the nameplate full load current.

Size the overload protective device so that the trip current is 115% of the nameplate full load current.

OPERATION



Hazardous cutter and possible unexpected starts. Rotation of the cutter with hands in the cutter area can cause loss of fingers.

Disconnect the electrical power and keep your hands away from the pump inlet opening when

working on or handling the pump for any reason. Do not use automatic reset controls with this pump.

Single phase units have an automatic overload protector in the motor which will protect the motor from burning out due to overheating/overloading. When the motor cools down, the overload protector will automatically reset and start the motor. This can happen at any time.

Three phase units require external overload protection. If the overload trips frequently, check for the cause. It could be:

- stuck impeller
- wrong/low voltage
- bad thermal overload protector
- electrical failure in the motor. If the motor has electrically failed, replace the pump.

Grinder Assembly: The grinder unit consists of a rotary cutter inside a stationary cutter ring. Persistent jamming and clogging of the pump indicates dull or worn grinder parts. If either the cutter ring or the rotary cutter is dull, replace both.

NOTICE: Normal domestic sewage will cause very little dulling or wear of the grinder parts. However, pumping abrasives (such as fine sand) will increase wear and tear on the grinder and may make it necessary to replace the grinder assembly frequently.

Lubrication: The pump is permanently lubricated and the motor bearings are sealed. No oiling or greasing is required.

The pump is not equipped with thermostats or a leak sensor probe. Check the seal condition quarterly in heavy duty service or annually in light duty service.

NOTE: Failure to monitor the seal condition voids the warranty. Motors damaged by flooding of the motor cavity due to seal or O-Ring failure may not be covered under warranty.

NOTE: Reduce the number of bends in the discharge piping to keep the outlet flow as smooth as possible.

Verify the capacity of the pump, by checking the discharge. Verify that the pump is free from any vibration and noise.

For continuous operation, the liquid level must be at least 19-1/2" for a three-phase pump or 22-1/2" for a single-phase pump to avoid overheating the motor.

Do not allow the pump to run in a dry sump. It will void the warranty and may damage the pump.

Maintenance

Only qualified mechanics with proper tools and knowledge should attempt to service this pump.

NOTICE: Whenever bearing bracket is being removed for service, remove oil and replace with new oil at reassembly. Use only oil listed in parts list (Part No. U197-8A). When filling with new oil, DO NOT overfill. To allow room for expansion, use exactly 1.8 pints (0.77 liters) of oil with a cold bearing bracket.

Cutter Replacement

The Key numbers given in these procedures refer to the exploded view (Page 8).



Hazardous voltage, hazardous cutter, and possible unexpected starts. Disconnect the electrical power and keep your hands away from the pump inlet opening when working on or handling the pump for any reason. Do not use

automatic reset controls with this pump.

WARNING Heavy parts. Use a hoist to lift and control the pump during repair.

NOTE: Be prepared to deal with a large quantity of oil when draining the bearing bracket. Inspect the O-Rings and castings for damage or evidence of leaks; check for pinched or damaged wires.

1. Disconnect the electrical power supply.
2. Disconnect the discharge piping (this step is not necessary if you have a guide-rail lift-out system).
3. Hoist the pump out of the pit using the lift-out system or the handle (not the cord) and place the pump in a suitable area where it can be cleaned.
4. Remove all scale and deposits from the pump.

WARNING Risk of infection from pathogens (such as hepatitis) which can collect on pump during normal operation. Submerge the complete pump in a disinfectant solution (chlorox or chlorine) for at least one hour before disassembly.

5. Wedge the shaft and cutter with a screwdriver in a cutter ring slot and unscrew the cap nut (Key No. 24) to release the rotating cutter (Key No. 21).
6. Unscrew four capscrews and use a screwdriver to pry the cutter ring (Key No. 25) off of the volute.
7. Reverse steps 1 through 7 to reassemble the cutter.

Impeller Removal

1. Follow steps 1 through 7 under "Cutter Replacement".
2. Unscrew the 4 capscrews holding the volute to the seal plate and tap the volute to loosen it. Remove the volute.

NOTE: BE SURE you have the correct capscrews – the wrong ones will release the seal plate from the bracket and also release a lot of oil!

3. With a screwdriver (or two) behind the impeller, work the impeller down the shaft until it is free. Remove it.
4. If the shaft key stayed in the shaft, remove it.
5. Reverse steps 1 through 4 to reassemble the impeller.

Seal Replacement

1. Follow steps 1 through 7 under “Cutter Replacement”.
2. Follow steps 1 through 4 under “Impeller Removal”.
3. Lay the pump on its side and remove the oil plug (Key No. 11) from the bearing bracket. Drain the bearing bracket. Put oil into a clean container and check for water in the oil and for opacity (dirtiness) of the oil.

NOTE: Water is heavier than oil. Look for water at the bottom of the oil. It will appear as tiny bubbles. If there is water present in the oil, the shaft seal or the O-Ring will need to be replaced. If there is no water present in the oil, the shaft seal and O-Ring do not need replacing. Opacity is the inability of light to pass through the oil and indicates dirty oil.

4. Remove the four capscrews and lock washers (Key No. 16) that hold the seal plate to the bearing bracket. Tap around the parting line with a lead hammer or rawhide mallet to loosen the seal plate. Remove the seal plate from the bearing bracket.
5. Remove the oil seal (Key No. 18) and oil seal bushing (Key No. 19) from the seal plate.
6. Remove the seal plate O-Ring (Key No. 17) and clean the O-Ring groove.
7. Remove the seal retaining ring from the seal plate.

NOTE: The shaft seal (Key No. 10) consists of 5 parts - the upper and lower silicon carbide seals, two rotating silicon carbide seals, and the spring. Be sure that you do not scratch or mar the shaft when removing the seals. If the shaft is marred, it must be dressed smooth with fine emery or crocus cloth before installing new seal. Do not reduce the shaft diameter.

8. Pull and turn the rotating seal halves to remove them from the motor shaft. If necessary, use a flat blade screwdriver to help pry the seals from the shaft.
9. Unscrew four capscrews and remove the bearing bracket from the motor housing.
10. Use a flat blade screwdriver and very carefully pry the lower seal half from the seal plate cavity.
11. Use a flat blade screwdriver and very carefully pry the upper seal half from the bearing bracket cavity.

Installing the New Shaft Seal

NOTE: Install all new O-Rings, seals, and gaskets during reassembly. It is good practice to replace the O-Rings each time the pump is serviced.

1. Clean the seal cavities in the bearing bracket and seal plate.
 2. Lubricate the seals with a very small amount of clean oil.
 3. Inspect the shaft for nicks and scratches.
 4. With finger pressure only, press the stationary seal halves firmly and squarely into the seal cavities in the bearing bracket and seal plate, with the polished face out.
- NOTE:** Be sure you do not scratch the seal surface.
5. Reinstall the lower seal retaining ring.
 6. Reinstall the bearing bracket on the motor. Use a new O-Ring.
 7. Slide the rotating seals and the spring (Key No. 10) onto the shaft.

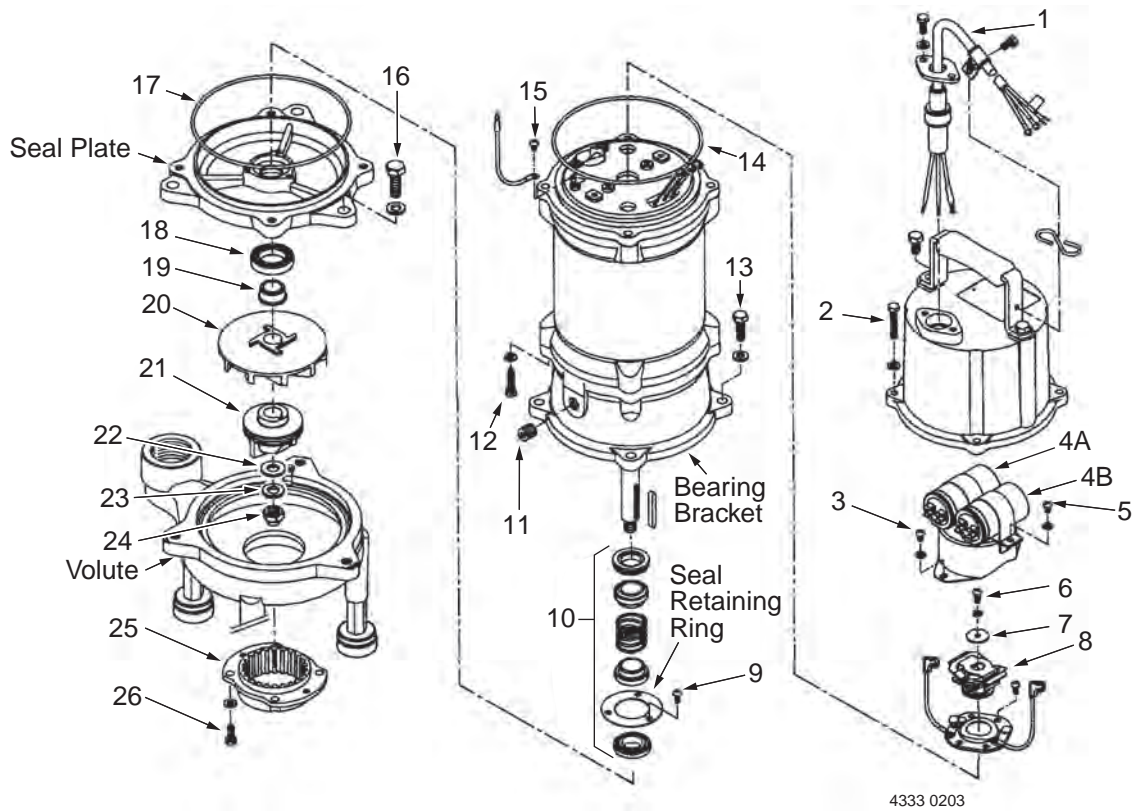
NOTE: Be sure you do not scratch the seal surface. Be careful that the shaft shoulder does not damage the seal faces when they are passing over the shaft. Make certain the polished surfaces of the rotating seals face the mating surfaces of the stationary seal halves.

8. Clean the O-Ring groove in the bearing bracket and install a new O-Ring (Key No. 17).
- NOTE:** It is good practice to replace the O-Rings each time the pump is serviced.
9. Reinstall the seal plate, lock washers, and capscrews.
 10. Reinstall the oil seal (Key No. 18) and the oil seal bushing (Key No. 19) on the shaft.
 11. Reinstall the impeller drive key in the keyway on the shaft.
 12. Using the key as a guide, reinstall the impeller on the shaft.
 13. Reinstall the volute on the seal plate.
 14. Reinstall the cutter ring on the volute.
 15. Using the key as a guide, reinstall the rotating cutter on the shaft.
 16. Block the cutter with a screwdriver in one of the cutter ring slots and reinstall the flat washer, lock washer, and cap nut on the shaft.
 17. Refill the bearing bracket with clean dielectric oil (P/N U197-8A) and replace the drain plug.
 18. Stand the pump on its feet. Check for free rotation of the impeller. The pump is ready for installation in the pit.

⚠ WARNING Hazardous voltage. Can shock, burn, or kill. Disconnect power before attempting any service or repair work on pump.

⚠ WARNING Hazardous cutters and unexpected starts which can cause loss of fingers. Keep hands away from pump suction inlet when working on or servicing pump.

SYMPTOM	POSSIBLE CAUSE(S)	CORRECTIVE ACTION
Motor not running	<p>Motor protector tripped.</p> <p>Open circuit breaker or blown fuse.</p> <p>Impeller clogged or binding.</p> <p>Cutter or cutter ring dull or worn.</p> <p>Power cable damaged.</p> <p>Bad control panel.</p> <p>Defective liquid level switch.</p> <p>Not enough liquid in wet well to activate controls.</p> <p>Liquid level cords tangled</p> <p>Automatic controls defective</p>	<p>Allow motor to cool. Make sure pump is completely submerged (see Page 4). Clear debris from volute and impeller. Check for high amp draw.</p> <p>Replace fuse or reset breaker. NOTE: if circuit breaker opens repeatedly, don't reset it. Call a licensed electrician.</p> <p>Check amp draw. If it is more than twice the nameplate amps, the impeller is locked. Bearings and shaft may be damaged. DISCONNECT POWER, clear debris from volute, impeller, and cutter as needed.</p> <p>DISCONNECT POWER, pull pump and inspect cutter and cutter ring. Replace if worn or dull.</p> <p>Resistance between power cable and ground should be infinity. If any reading is less than infinity, call a licensed electrician.</p> <p>Inspect control panel wiring. Call a licensed electrician.</p> <p>With switch disconnected from power, check continuity through switch while activating liquid level switch. Replace switch if necessary.</p> <p>Allow the liquid to rise several inches above the switch on level.</p> <p>Untangle cords for free operation.</p> <p>Try running pump in manual mode. If it runs, the automatic control is at fault.</p>
Pump runs continuously	<p>Liquid level control cords tangled</p> <p>Pump is airlocked.</p> <p>Flow in matches or exceeds the pump's capacity.</p>	<p>Untangle cords for free operation.</p> <p>Stop pump for about one minute, then restart. Repeat stopping and starting until the airlock clears. If the airlock persists, DISCONNECT POWER, pull the pump and drill a 1/8" hole in the discharge pipe between the pump discharge and the check valve.</p> <p>A larger pump or more pumps may be needed.</p>
Little or no effluent delivered from pump	<p>Check valve plugged, stuck shut, or installed backwards.</p> <p>System head excessive.</p> <p>Pump suction plugged.</p> <p>Wrong voltage or not wired correctly.</p> <p>Pump is air locked.</p> <p>Worn or damaged impeller</p> <p>Liquid level controls incorrectly installed or defective.</p>	<p>Make sure check valve is installed correctly (flow arrow should point away from pump) and functioning correctly.</p> <p>Consult dealer.</p> <p>DISCONNECT POWER, pull pump, inspect, and clear as needed.</p> <p>Check pump's rotation; check nameplate voltage against supply voltage (they must match); consult a licensed electrician.</p> <p>Stop pump for about one minute, then restart. Repeat stopping and starting until the airlock clears. If the airlock persists, DISCONNECT POWER, pull the pump and drill a 1/8" hole in the discharge pipe between the pump discharge and the check valve.</p> <p>DISCONNECT POWER, pull pump and inspect impeller. Replace if necessary.</p> <p>Reposition or replace as necessary.</p>
Pump cycles constantly	<p>No discharge check valve installed</p> <p>Discharge check valve stuck open.</p> <p>Sewage wetwell too small.</p> <p>Liquid level controls incorrectly installed or defective.</p> <p>Pump too small for inlet flow.</p>	<p>Install discharge check valve.</p> <p>Repair or replace check valve as necessary.</p> <p>Consult dealer.</p> <p>Reposition or replace as necessary.</p> <p>Consult dealer about larger pump or second pump.</p>



4333 0203

Key No.	Part Description	Qty.	MRGD200MC2	MRGD200MC3 MRGD200MC4
1	Cord	1	E01 1241 7	E01 1241 5
2	Capscrew M6x25	2	*	*
3	Capscrew	2	*	*
4A	Run Capacitor (12 mfd, 450V)	1	E14 0121 0	
4B	Start Capacitor (150 mfd, 250V)	1	E14 1503 0	
5	Capscrew	2	*	
6	Capscrew	1	*	
7	Flat Washer	1	H53 1102 0	
8	Centrifugal Switch	1	E12 2P82 3	
9	Capscrew M5x8	3	*	*
10	Shaft Seal	1	F21 1202 0	F21 1202 0
11	Drain Plug 1/4" NPT	1	H55 3204 0	H55 3204 0
12	Capscrew M6x25	4	*	*
13	Capscrew M8x25	4	*	*
14	O Ring	()	G47 3811 0(3)	G47 3811 0(2)
15	Capscrew M5x8	1	*	*
16	Capscrew M10x30	3	*	*
17	O Ring	1	G47 3891 0	G47 3891 0
18	Oil Seal	1	F25 2501 0	F25 2501 0
19	Oil Seal Bushing	1	A24 3811 0	A24 3811 0
20	Impeller	1	B27 3811 0	B27 3811 0
21	Rotating Cutter	1	A39 3811 0	A39 3811 0
22	Flat Washer	1	H53 1008 0	H53 1008 0
23	Lock Washer	1	H54 1008 0	H54 1008 0
24	Cap Nut M12	1	H56 6122 0	H56 6122 0
25	Stationary Grinder	1	A40 3811 0	A40 3811 0
26	Capscrew M6x16	4	*	*

* Standard hardware item. Purchase locally.

LIMITED WARRANTY

F.E. MYERS warrants to the original consumer purchaser ("Purchaser" or "You") of the products listed below, that they will be free from defects in material and workmanship for the Warranty Period shown below.

Product	Warranty Period
Sump/Sewage/Effluent Products	24 months from date of manufacture
Fibrewound Tanks	5 years from date of original installation
Steel Pressure Tanks	5 years from date of original installation
Jet pumps, small centrifugal pumps, submersible pumps and related accessories	<i>whichever occurs first:</i> 12 months from date of original installation, or 18 months from date of manufacture

Our warranty will not apply to any product that, in our sole judgement, has been subject to negligence, misapplication, improper installation, or improper maintenance. Without limiting the foregoing, operating a three phase motor with single phase power through a phase converter will void the warranty. Note also that three phase motors must be protected by three-leg, ambient compensated, extra-quick trip overload relays of the recommended size or the warranty is void.

Your only remedy, and F.E. MYERS's only duty, is that F.E. MYERS repair or replace defective products (at F.E. MYERS's choice). You must pay all labor and shipping charges associated with this warranty and must request warranty service through the installing dealer as soon as a problem is discovered. No request for service will be accepted if received after the Warranty Period has expired. This warranty is not transferable.

F.E. MYERS SHALL NOT BE LIABLE FOR ANY CONSEQUENTIAL, INCIDENTAL, OR CONTINGENT DAMAGES WHATSOEVER.

THE FOREGOING WARRANTIES ARE EXCLUSIVE AND IN LIEU OF ALL OTHER EXPRESS AND IMPLIED WARRANTIES, INCLUDING BUT NOT LIMITED TO THE IMPLIED WARRANTIES OF MERCHANTABILITY AND FITNESS FOR A PARTICULAR PURPOSE. THE FOREGOING WARRANTIES SHALL NOT EXTEND BEYOND THE DURATION EXPRESSLY PROVIDED HEREIN.

Some states do not allow the exclusion or limitation of incidental or consequential damages or limitations on the duration of an implied warranty, so the above limitations or exclusions may not apply to You. This warranty gives You specific legal rights and You may also have other rights which vary from state to state.

This warranty supersedes and replaces all previous warranty publications.

F.E. MYERS
1101 Myers Parkway, Ashland, OH 44805-1989
Phone: 888-987-8677 • Fax: 800-426-9446 • www.femyers.com

Deballage et inspection

À manipuler avec précaution. Comparer les articles reçus avec ceux de la liste des articles pour s'assurer d'avoir reçu l'équipement dans son intégralité. À la livraison, inspecter la pompe pour s'assurer qu'elle n'est pas endommagée. Si des dommages sont constatés, présenter une demande d'indemnisation immédiatement auprès du transporteur.

Consignes générales de sécurité

LIRE ET OBSERVER TOUTES CES INSTRUCTIONS DE SÉCURITÉ!

⚠ Ce symbole indique qu'il faut être prudent. Lorsque ce symbole apparaît sur la pompe ou dans cette Notice, rechercher une des mises en garde qui suivent, car elles indiquent un potentiel possible de blessures corporelles.

⚠ DANGER avertit d'un danger qui **causera** des blessures corporelles, la mort ou des dommages matériels importants si on l'ignore.

⚠ AVERTISSEMENT avertit d'un danger qui **risque** de causer des blessures corporelles, la mort ou des dommages matériels importants si on l'ignore.

⚠ ATTENTION avertit d'un danger qui **causera** ou qui **risquera** de causer des blessures corporelles, la mort ou des dommages matériels importants si on l'ignore.

Le mot **REMARQUE** indique des instructions spéciales et importantes n'ayant aucun rapport avec les dangers.

REMARQUE : Installer la pompe à la verticale seulement. L'installer dans toute autre position annulera la garantie.

REMARQUE : Ces pompes ne sont pas conçues pour pomper de l'eau salée ni de la saumure. Cette pratique annulera la garantie.

1. Pour éviter tout risque de blessures corporelles graves et des dommages matériels importants, lire attentivement ces consignes de sécurité.
2. Avant de procéder à l'installation, vérifier les codes de la municipalité. Vous devez les respecter.
3. Aérer l'égout ou la fosse septique conformément aux codes de la municipalité.
4. Ne pas installer cette pompe dans un endroit classé comme dangereux par le National Electrical Code, ANSI/NFPA 70 1984.

5. Pour ne pas se brûler si on doit intervenir sur la pompe, la laisser refroidir pendant 20 minutes après qu'elle s'est arrêtée et avant de la manipuler.
6. Ne pas faire fonctionner la pompe à sec, sinon elle surchauffera et la garantie sera annulée.
7. La pompe est lubrifiée en permanence. Vérifier régulièrement le niveau d'huile dans la plaque d'étanchéité. Vérifier la présence d'eau dans l'huile dans la plaque d'étanchéité. Se reporter aux instructions sous « Fonctionnement/Lubrification » à la page 5.

⚠ AVERTISSEMENT Tension dangereuse. Risque de secousses électriques, de brûlures, voire de mort. Pendant qu'elle fonctionne, la pompe est immergée dans l'eau. Si on doit intervenir sur la pompe et pour ne pas être électrocuté, procéder comme suit :

⚠ Mettre la pompe à une terre adéquate telle qu'une canalisation d'eau mise à la terre, un chemin métallique mis correctement à la terre ou un système de mise à la terre.

⚠ Ne pas enlever le cordon électrique ou le réducteur de tension.

⚠ Ne pas brancher de conduit sur la pompe.

⚠ Ne pas lever cette pompe par son cordon électrique. (Se reporter à la section « Avertissement concernant le levage par le cordon électrique » ci-dessous).

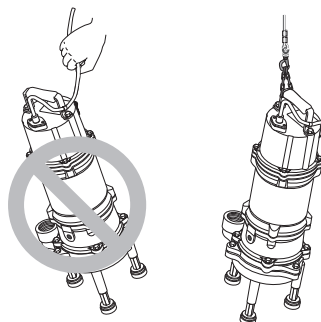
- A. Mettre la pompe à la terre conformément aux codes et aux ordonnances en vigueur.
- B. Avant d'intervenir sur la pompe, couper le courant qui alimente sa prise de courant ou fermer les disjoncteurs.
- C. Pour réduire les risques de secousses électriques, il faut être très prudent lorsque l'on remplace un fusible ou réenclenche les disjoncteurs. Ne pas se tenir dans l'eau pour intervenir sur la boîte de commande ou les disjoncteurs.
- D. Ces pompes doivent être branchées en permanence seulement. Poser un réducteur de tension sur l'arrivée de courant, côté boîte de commande. Tous les composants de commande doivent être classés UL ou CSA et répondre aux besoins de l'utilisation. Seul du personnel qualifié doit installer la pompe et son équipement de contrôle.

Avertissement concernant le levage par le cordon électrique

⚠ AVERTISSEMENT



Risque de secousses électriques. Risque de brûlures ou de mort. Ne pas lever la pompe par son cordon électrique.



Risques de secousses électriques et d'incendie.

1. Les connexions et le cordon électrique de la pompe pourraient être endommagés si on essaie de lever ou de supporter la pompe par son cordon. Le cordon peut se débrancher et des fils nus peuvent être exposés, ce qui peut présenter un risque d'incendie ou de secousses électriques.
2. Pour lever ou abaisser la pompe, toujours utiliser sa poignée de levage qui se trouve dessus. Avant d'intervenir sur la pompe ou avant de la sortir du puisard, couper le courant qui l'alimente.
3. La garantie sera annulée si on lève ou supporte la pompe par son cordon électrique.

Installation

Pour pouvoir contrôler la pompe et intervenir dessus plus facilement, on peut l'installer sur un système de levage à glissières de guidage. Les glissières de guidage permettent de sortir la pompe sans perturber les canalisations ni sans devoir demander à du personnel d'entrer dans le puits humide (pour la plupart des codes, il faut de l'équipement de protection et avoir suivi une formation pour pénétrer dans le puits humide). Si elle est montée à l'aide d'un système à glissières de guidage, placer la pompe du côté opposé de l'ouverture d'entrée pour éviter les zones stagnantes où peuvent se déposer des matières solides.

Placer la pompe sur une surface dure et de niveau (ciment, asphalte, etc.). Ne jamais placer la pompe directement sur une surface en terre, en glaise et ou en gravier. Le diamètre du puisard doit être d'au moins 458 mm (18 pouces) et sa profondeur d'au moins 762 mm (30 pouces).

Les pieds de la pompe sont livrés détachés dans la caisse. Les installer avant de placer la pompe dans la fosse.

Installation de la pompe

Installer la pompe en groupe indépendant.

Placer la pompe sur le sol du puisard. Installer un raccord de tuyauterie dans la conduite de refoulement pour permettre la dépose quand il faut intervenir sur la pompe.

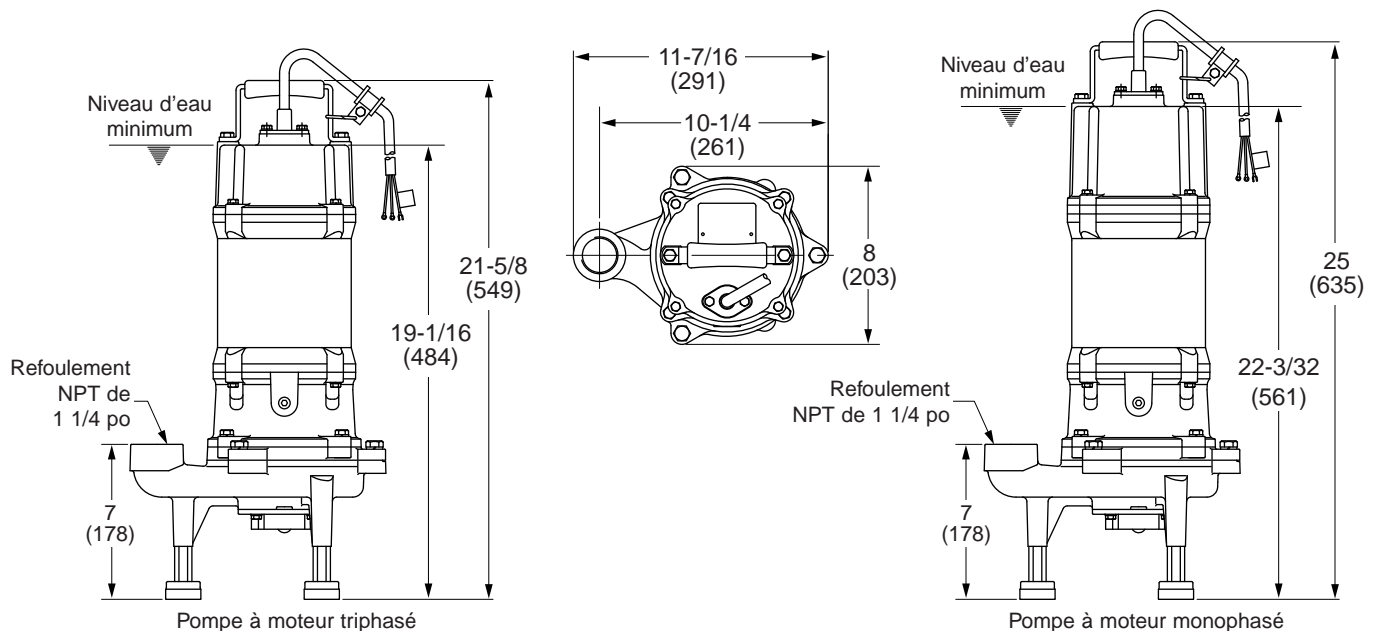
Canalisation

Le diamètre de la tuyauterie ne doit pas être plus petit que celui du refoulement de la pompe.

Électricité

⚠ AVERTISSEMENT Tension dangereuse. Risque de secousses électriques, de brûlures, d'incendie, voire de mort. Pour installer ou faire fonctionner la pompe ou intervenir dessus, suivre les instructions sur les consignes de sécurité électriques suivantes. Seul du personnel qualifié doit installer la pompe ou intervenir dessus.

1. NE PAS épisser le cordon électrique.
2. NE PAS intervenir sur la pompe ni la manipuler pendant qu'elle est branchée sur le courant électrique.
3. NE PAS la faire fonctionner si elle n'est pas adéquatement mise à la terre. Brancher directement la pompe sur la plaquette de connexion mise à la terre de l'interrupteur à flotteur automatique ou la boîte de contrôleur de pompe pour le fonctionnement automatique. Brancher la pompe conformément à tous les codes en vigueur. Pour le fonctionnement continu, brancher la pompe directement dans la boîte de l'interrupteur.
4. Une mauvaise tension risque de causer un incendie, voire de graves dommages au moteur, ce qui annulera la garantie. S'assurer que la fréquence et la tension indiquée sur la plaque signalétique du moteur correspondent à celles de l'alimentation électrique. La tension d'alimentation doit correspondre à $\pm 10\%$ de la tension indiquée sur la plaque signalétique du moteur. En cas de doute, consulter un électricien qualifié.
5. Il faut faire tourner la pompe dans le sens horaire des aiguilles d'une montre (↻ vu du haut de la pompe). NE JAMAIS la faire fonctionner dans le sens contraire.
6. Brancher la pompe sur un circuit séparé sur lequel aucun autre appareil ne sera branché. Se reporter au tableau 1, page 4, pour connaître le calibre des fusibles et des disjoncteurs. Se reporter aux Figures 2 et 3 pour les schémas de connexion triphasés de 230/460 volts. Utiliser un panneau de commande dont la taille est adaptée à la pompe. Se reporter aux instructions de montage du panneau de commande pour obtenir des informations sur les connexions de câblage.
7. Installer la pompe conformément aux codes électriques en vigueur. Installer un interrupteur général fusionné ou un disjoncteur conformément aux codes de la municipalité.
8. Si un système triphasé s'active en sens inverse, permuter deux des trois fils d'alimentation pour inverser la direction de rotation du moteur.



4331 0203

Figure 1: Dimensions en pouces (mm)

Tableau 1 : Caracteristiques du moteur, de l'interrupteur et du cordon électrique

Numéro des modèles	Puissance des moteur en ch	Tension	Ampères maximum à pleine charge	Circuit séparé requis (en ampères)	Longueur des cordons électriques en pi (m)	Niveau minimum d'eau en pouces (mm)	Calibre de l'adaptateur de refoulement	Température nominale
								maximale (F°) (Intermittent)
MRGD200MC2	2	230/60/1	13,0	20	20 (6,1)	22 1/2 (572)	1 1/4 NPT	122
MRGD200MC3	2	230/60/3	8,2	15	20 (6,1)	19 1/2 (496)	1 1/4 NPT	122
MRGD200MC4	2	460/60/3	4,1	15	20 (6,1)	19 1/2 (496)	1 1/4 NPT	122

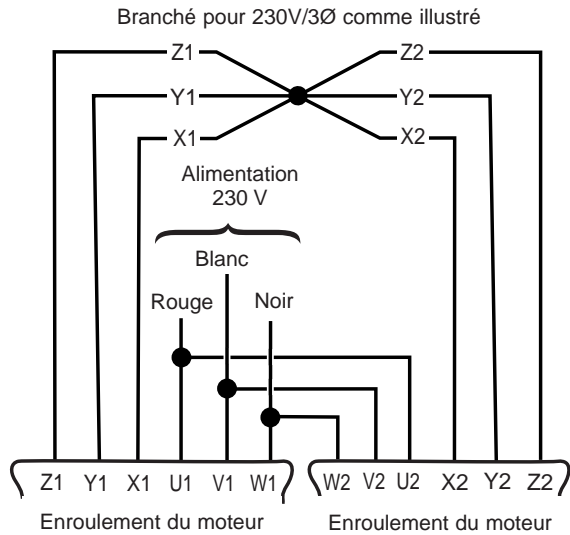


Figure 2 : Connexions de câblage triphasé de 230 Volts

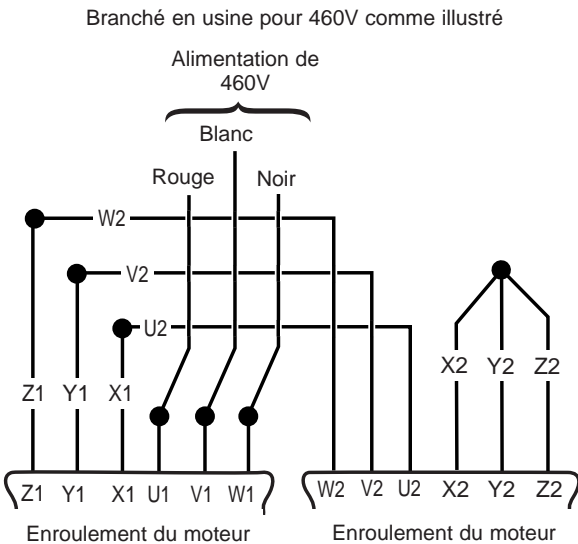


Figure 3 : Connexions de câblage triphasé de 460 Volts

Panneau de commande

⚠ AVERTISSEMENT Risque de secousses électriques. Mettre à la terre la pompe et le moteur avant de brancher les commandes ou l'alimentation. Respecter les codes électriques de la municipalité régissant les installations de pompes et de commandes.

Le panneau de commande n'est pas livré avec la pompe. Installer un panneau de commande simplex ou duplex (à acheter séparément) pour faire fonctionner correctement la pompe. Notre catalogue comprend une gamme complète de commandes et d'interrupteurs.

Si le panneau de commande Myers n'est pas utilisé, installer un panneau de commande muni d'un disjoncteur ou d'un interrupteur général fusionné comme l'exige le code de la municipalité. Utiliser des démarreurs magnétiques avec protection compensée ambiante contre la surcharge. Les systèmes triphasés requièrent une protection à 3 lignes, et les systèmes monophasés, une protection à 1 ligne seulement. Une protection inadéquate aura pour effet d'annuler la garantie.

Réglage de la surcharge du panneau de commande – Moteurs triphasés

REMARQUE : Se reporter aux instructions de montage et d'utilisation du panneau de commande avant de régler le dispositif de protection contre les surcharges.

Régler le dispositif de protection contre les surcharges sur le courant de pleine charge indiqué sur la plaque signalétique du moteur.

Déterminer la puissance du dispositif de protection contre les surcharges de façon que le courant de déclenchement corresponde à 115 % du courant de pleine charge de la plaque signalétique.

Fonctionnement



Le couteau présente un danger et peut se mettre en marche d'une manière inattendue. La rotation du couteau alors qu'on a les mains dans la zone du couteau risque de causer la perte de doigts. Couper le courant électrique et ne pas approcher les mains de l'ouverture de l'aspiration de la pompe lorsque l'on intervient ou lorsqu'on

manipule la pompe pour quelle raison que ce soit. Ne pas utiliser de commande à réenclenchement automatique avec cette pompe.

Sur les pompes à moteur monophasé, un protecteur contre les surcharges à fonctionnement automatique logé dans le moteur l'empêchera de brûler en cas de surchauffe/surcharge. Dès que le moteur refroidira, le protecteur se réenclenchera automatiquement et le moteur redémarrera. Les moteurs triphasés requièrent un dispositif de protection externe contre les surcharges. Cela peut se produire à tout moment.

Si la surcharge se déclenche fréquemment, en déterminer la cause. Cet incident peut être causé par les facteurs suivants :

- impulseur grippé
- une tension mauvaise/basse
- mauvais dispositif de protection contre les surcharges
- une défectuosité électrique du moteur. Si on pense que le moteur est défectueux, remplacer la pompe.

Ensemble broyeur : Le broyeur est composé d'un couteau rotatif inséré dans une bague fixe. Le coincement persistant ou l'obstruction de la pompe indique que des éléments du broyeur sont émoussés ou usés. Si la bague ou le couteau rotatif sont émoussés, les remplacer tous les deux.

REMARQUE : Les eaux d'égout domestiques ordinaires entraîneront une détérioration ou usure minime des éléments du broyeur. Cependant, le pompage d'agents abrasifs (tel que du sable fin) augmentera l'usure ou la détérioration du broyeur et peut rendre nécessaire le remplacement fréquent du broyeur.

Lubrification : La pompe est lubrifiée en permanence et les roulements du moteur sont étanches. Il n'est pas nécessaire de la huiler ni de la graisser.

La pompe n'est pas munie de thermostats ou d'un capteur de fuites. Vérifier l'étanchéité tous les trimestres s'il s'agit d'une utilisation intensive ou tous les ans s'il s'agit d'une utilisation légère.

REMARQUE : Ne pas surveiller l'état d'étanchéité annulera la garantie. Les moteurs endommagés par l'inondation de la cavité du moteur en raison d'une mauvaise étanchéité ou d'un joint torique défectueux pourraient ne pas être couverts par la garantie.

REMARQUE : Réduire le nombre de coudes dans la tuyauterie de refoulement pour maintenir le débit de sortie le plus homogène possible.

Vérifier la capacité de la pompe en contrôlant le refoulement. Vérifier l'absence de vibration et de bruit au niveau de la pompe.

Pour une utilisation continue, le niveau de liquide doit être au moins de 19 1/2 po pour une pompe à moteur triphasé ou de 22 1/2 po pour une pompe à moteur monophasé afin d'éviter la surchauffe du moteur.

Ne pas faire fonctionner la pompe à sec. Cela risque d'endommager la pompe et pourrait annuler la garantie.

Entretien

Seuls des mécaniciens qualifiés disposant des outils et des connaissances appropriées doivent intervenir sur cette pompe.

REMARQUE : Si on doit déposer le support de coussinet, vider l'huile et la remplacer par une nouvelle au remontage. Utiliser l'huile indiquée dans la liste des pièces (N/P U197 8A). Au cours du remplissage avec de la nouvelle huile, NE PAS trop remplir. Laisser de la place pour la dilatation, utiliser exactement 1,8 chopine (0,77 litre) d'huile avec un coussinet de roulement froid.

Remplacement du couteau

Les numéros de référence indiqués dans ces procédures se rapportent à la vue éclatée (page 8).



Tension dangereuse, couteau dangereux et possibilité de démarrage inattendu. Couper le courant électrique et ne pas approcher des mains de l'ouverture de l'aspiration de la pompe lorsque l'on intervient ou lorsqu'on manipule la pompe pour quelle raison que ce soit. Ne pas

utiliser de commande à réenclenchement automatique avec cette pompe.

AVERTISSEMENT Pièces dangereuses. Utiliser un appareil de levage pour soulever et contrôler la pompe pendant la réparation.

REMARQUE : tre prêt à intervenir avec une quantité importante d'huile lorsqu'on vidange le support de coussinet. Vérifier si les joints toriques et les pièces coulées sont endommagés ou présentent des fuites. Vérifier si les fils sont pincés ou endommagés.

1. Débrancher l'alimentation électrique.
2. Débrancher la conduite de refoulement (cette étape n'est pas nécessaire si on dispose d'un système de levage à glissières de guidage).
3. Extraire la pompe hors du puisard à l'aide du système de levage ou de la poignée (et non à l'aide du cordon) et la placer dans un endroit adéquat pour pouvoir la nettoyer.
4. Éliminer la calamine et les dépôts de la pompe.

AVERTISSEMENT Risque d'infection provenant d'agents pathogènes (tels que l'hépatite) qui peuvent se déposer sur la pompe pendant son fonctionnement normal. Submerger la pompe dans son intégralité dans une solution désinfectante (chlorox ou chlore) pendant au moins 1 heure avant son démontage.

5. Caler l'arbre et le couteau à l'aide d'un tournevis dans une fente de bague de couteau et dévisser l'écrou borgne (réf. n° 24) pour libérer le couteau rotatif (réf. n° 21).
6. Dévisser quatre vis d'assemblage et à l'aide d'un tournevis, soulever la bague de couteau (réf. n° 25) de la volute.
7. Procéder à l'inverse des étapes 1 à 7 pour remonter le couteau.

Dépose de l'impulseur

1. Suivre les étapes 1 à 7 sous « Remplacement du couteau ».
2. Dévisser les quatre vis d'assemblage maintenant la volute et taper sur la volute pour la desserrer. Déposer la volute.

REMARQUE : S'ASSURER d'avoir les bonnes vis d'assemblage. L'utilisation de mauvaises vis d'assemblage aura pour effet de libérer la plaque d'étanchéité du support et de libérer également une grosse quantité d'huile!

3. À l'aide d'un (ou de deux) tournevis placés derrière l'impulseur, déplacer l'impulseur vers le bas de l'arbre jusqu'à ce qu'il soit libéré. Le déposer.
4. Si la clavette d'arbre reste dans l'arbre, la déposer.
5. Procéder à l'inverse des étapes 1 à 4 pour remonter l'impulseur.

Remplacement du joint

1. Suivre les étapes 1 à 7 sous « Remplacement du couteau ».
2. Suivre les étapes 1 à 4 sous « Dépose de l'impulseur ».
3. Mettre la pompe sur son côté et retirer le bouchon de remplissage d'huile (réf. n°11) du support de coussinet. Vider le support de coussinet. Placer l'huile dans un récipient propre et vérifier la présence d'eau dans l'huile et le niveau d'opacité (degré de contamination) de l'huile.
REMARQUE : L'eau est plus lourde que l'huile. Vérifier la présence d'eau dans le fond de l'huile. D'infimes bulles apparaîtront. S'il y a de l'eau dans l'huile, il faut remplacer le joint d'arbre ou le joint torique. S'il n'y a pas d'eau dans l'huile, il ne faut pas remplacer le joint de l'arbre et le joint torique. L'opacité caractérise l'incapacité de la lumière à pénétrer l'huile et indique que l'huile est contaminée.
4. Déposer les quatre vis d'assemblage et rondelles de blocage (réf. n°16) qui maintiennent la plaque d'étanchéité au support de coussinet. Taper autour du plan de joint à l'aide d'une masse de plomb ou d'un maillet en cuir vert pour desserrer la plaque d'étanchéité. Déposer la plaque d'étanchéité du support de coussinet.
5. Déposer le joint d'huile (réf. n°18) et la bague de joint d'huile (réf. n°19) de la plaque d'étanchéité.
6. Déposer le joint torique de la plaque d'étanchéité (réf. n°17) et nettoyer la rainure du joint torique.
7. Déposer la bague de retenue du joint de la plaque d'étanchéité.
REMARQUE : Le joint d'arbre (réf. n°10) se compose de 5 éléments : les joints en carbure de silicium supérieur et inférieur, deux joints en carbure de silicium rotatifs et le ressort. S'assurer de ne pas rayer l'arbre au moment de retirer les joints. Si l'arbre est rayé, il faut le lisser à l'aide de papier fin émeri ou d'une toile à polir avant d'installer un nouveau joint. Ne pas réduire le diamètre d'arbre.
8. Tourner les moitiés de joint rotatif pour les retirer de l'arbre de moteur. Au besoin, utiliser un tournevis à lame plate pour faire sortir les joints de l'arbre.
9. Dévisser quatre vis d'assemblage et déposer le support de coussinet du carter de moteur.
10. À l'aide d'un tournevis à lame plate, extraire avec une extrême précaution la moitié inférieure de joint de la cavité de la plaque d'étanchéité.
11. À l'aide d'un tournevis à lame plate, extraire avec une extrême précaution la moitié supérieure de la cavité du support de coussinet.

Montage du nouveau joint d'arbre

REMARQUE : Installer de nouveaux joints toriques, joints étanches et joints au cours du remontage. Remplacer les joints toriques chaque fois qu'on intervient sur la pompe.

1. Nettoyer les cavités de joint dans le support de coussinet et la plaque d'étanchéité.
2. Lubrifier les joints à l'aide d'une très petite quantité d'huile propre.
3. Vérifier si l'arbre présente des entailles et des rayures.
4. À l'aide de la pression du doigt uniquement, pousser fermement et complètement les moitiés de joint fixes dans les cavités de joint du support de coussinet et de la plaque d'étanchéité, le côté poli étant orienté vers l'extérieur.

REMARQUE : S'assurer de ne pas rayer la surface du joint.

5. Remonter la bague de retenue de joint inférieur.
6. Remonter le support de coussinet sur le moteur. Utiliser un nouveau joint torique.
7. Faire glisser les joints rotatifs et le ressort (réf. n°10) sur l'arbre.

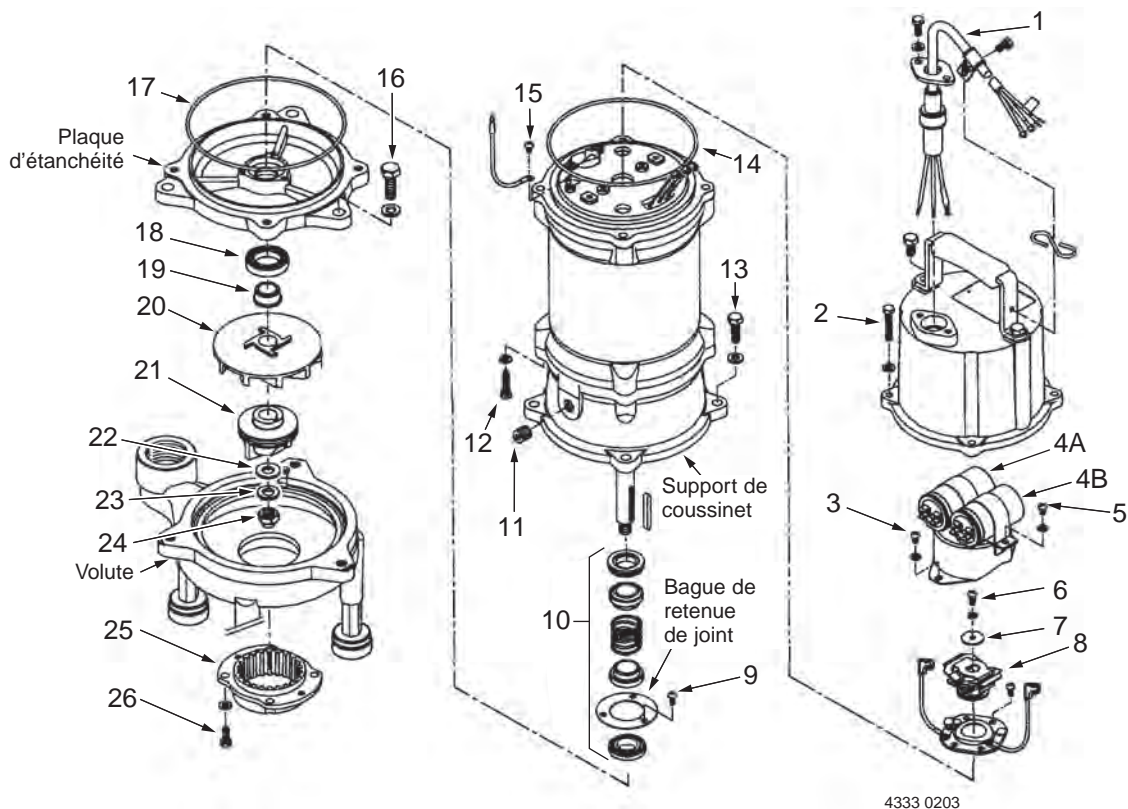
REMARQUE : S'assurer de ne pas rayer la surface du joint. Veiller à ce que l'épaulement de l'arbre n'endommage pas les faces du joint au moment où elles passent sur l'arbre. Veiller à ce que les surfaces polies des joints rotatifs soient orientées sur les surfaces de contact des moitiés de joint fixe.

8. Nettoyer la rainure du joint torique dans le support de coussinet et installer un nouveau joint torique (réf. n°17).
REMARQUE : Remplacer les joints toriques chaque fois que l'on intervient sur la pompe.
9. Remonter la plaque d'étanchéité, les rondelles de blocage et les vis d'assemblage.
10. Remonter le joint d'huile (réf. n°18) et la bague de joint d'huile (réf. n°19) sur l'arbre.
11. Remonter la clavette d'entraînement de l'impulseur dans la rainure de clavette de l'arbre.
12. En se servant de la clavette comme guide, remonter l'impulseur sur l'arbre.
13. Remonter la volute sur la plaque d'étanchéité.
14. Remonter la bague de couteau sur la volute.
15. En se servant de la clavette comme guide, remonter le couteau rotatif sur l'arbre.
16. Bloquer le couteau à l'aide d'un tournevis dans l'une des fentes de la bague de couteau et remonter la rondelle plate, la rondelle de blocage et l'écrou borgne sur l'arbre.
17. Remplir le support de coussinet d'huile diélectrique propre (N/P U197 8A) et replacer le bouchon de remplissage d'huile.
18. Placer la pompe sur ses pieds. Vérifier que l'impulseur tourne librement. La pompe est prête pour être installée dans le puisard.

⚠ AVERTISSEMENT Tension dangereuse. Risque de chocs électriques, de brûlures, voire de mort. Couper le courant électrique lorsque l'on intervient ou lorsqu'on effectue des travaux de réparation sur la pompe pour quelle raison que ce soit.

⚠ AVERTISSEMENT Couteau dangereux et possibilités de démarrage inattendu pouvant entraîner la perte de doigts. Ne pas approcher les mains de l'ouverture de l'aspiration de la pompe lorsqu'on intervient ou lorsqu'on manipule la pompe.

INCIDENT	CAUSES POSSIBLES	MESURE CORRECTIVE
Le moteur ne fonctionne pas	<p>Le dispositif de protection contre les surcharges se déclenche.</p> <p>Disjoncteur en position ouverte ou fusible sauté.</p> <p>Impulseur bouché ou grippé.</p> <p>Couteau ou bague de couteau émoussés ou usés.</p> <p>Câble d'alimentation endommagé.</p> <p>Mauvais panneau de commande.</p> <p>Interrupteur de niveau de liquide défectueux.</p> <p>Pas assez de liquide dans le puits humide pour activer les commandes.</p> <p>Cordons du niveau de liquide entremêlés.</p> <p>Commandes automatiques défectueuses.</p>	<p>Laisser refroidir le moteur. Veiller à ce que la pompe soit complètement submergée (voir page 4). Retirer les débris de la volute et de l'impulseur. Vérifier le niveau de haut ampérage.</p> <p>Remplacer le fusible ou réenclencher le disjoncteur. REMARQUE : Si le disjoncteur s'ouvre d'une manière répétée, ne pas le réenclencher. Appeler un électricien qualifié.</p> <p>Vérifier le niveau d'ampérage. S'il est supérieur à l'ampérage indiqué sur la plaque signalétique, l'impulseur est verrouillé. Les roulements et l'arbre peuvent être endommagés. COUPER LE COURANT, retirer au besoin les débris de la volute, de l'impulseur et du couteau.</p> <p>COUPER LE COURANT, extraire la pompe et vérifier le couteau et la bague de couteau. Remplacer s'ils sont endommagés ou émoussés.</p> <p>La résistance entre le câble d'alimentation et la masse doit être l'infini. Si une valeur affichée est moins que l'infini, appeler un électricien qualifié.</p> <p>Vérifier le câblage du panneau de commande. Appeler un électricien qualifié.</p> <p>L'interrupteur étant débranché de l'alimentation, vérifier sa continuité tout en activant l'interrupteur du niveau de liquide. Remplacer l'interrupteur au besoin.</p> <p>Faire monter le liquide de plusieurs pouces au dessus du niveau de mise en circuit.</p> <p>Démêler les cordons pour les dégager.</p> <p>Essayer de faire fonctionner la pompe en mode manuel. Si elle fonctionne, la commande automatique présente une défectuosité.</p>
La pompe fonctionne en permanence	<p>Les cordons de la commande de niveau de liquide sont entremêlés.</p> <p>Un bouchon d'air s'est formé.</p> <p>Le débit est égal ou supérieur à la capacité de la pompe.</p>	<p>Démêler les cordons pour les dégager.</p> <p>Arrêter de faire fonctionner la pompe pendant une minute, puis la faire démarrer à nouveau. Répéter la mise à l'arrêt et la mise en marche jusqu'à ce que le bouchon d'air disparaisse. Si le bouchon d'air persiste, COUPER LE COURANT, extraire la pompe et forer un orifice de 1/8 po dans le tuyau de refoulement entre la pompe et le clapet antiretour.</p> <p>Il est peut être nécessaire d'avoir une pompe plus importante ou plusieurs pompes.</p>
La pompe ne fournit pas ou peu d'eaux résiduaire	<p>Le clapet antiretour est coincé, grippé ou posé à l'envers.</p> <p>Tête de système excessive.</p> <p>Aspiration de la pompe coincée.</p> <p>Tension incorrecte ou câblage incorrect.</p> <p>Un bouchon d'air s'est formé.</p> <p>Impulseur usé ou endommagé.</p> <p>Commandes du niveau de liquide incorrectement installées ou défectueuses.</p>	<p>S'assurer d'installer correctement le clapet antiretour (la flèche du débit doit s'écarter de la pompe) et veiller à ce qu'il fonctionne correctement.</p> <p>Consulter le marchand.</p> <p>COUPER LE COURANT, extraire et vérifier la pompe et la nettoyer au besoin.</p> <p>Vérifier la rotation de la pompe, vérifier que la tension de la plaque signalétique correspond à celle de la tension d'alimentation; consulter un électricien agréé.</p> <p>Arrêter de faire fonctionner la pompe pendant une minute, puis la faire démarrer à nouveau. Répéter la mise à l'arrêt et la mise en marche jusqu'à ce que le bouchon d'air disparaisse. Si le bouchon d'air persiste, COUPER LE COURANT, extraire la pompe et forer un orifice de 1/8 po dans le tuyau de refoulement entre la pompe et le clapet antiretour.</p> <p>COUPER LE COURANT, extraire la pompe et inspecter l'impulseur. Remplacer au besoin.</p> <p>Repositionner ou remplacer au besoin.</p>
Le cycle de la pompe est constant	<p>Aucun clapet antiretour de refoulement n'est installé.</p> <p>Le clapet antiretour de refoulement est bloqué en position ouverte.</p> <p>Le puits d'aspiration est trop petit.</p> <p>Commandes du niveau de liquide incorrectement installées ou défectueuses.</p> <p>Pompe trop petite pour le débit d'entrée.</p>	<p>Installer un clapet antiretour de refoulement.</p> <p>Réparer ou remplacer le clapet antiretour de refoulement au besoin.</p> <p>Consulter le marchand.</p> <p>Repositionner ou remplacer au besoin.</p> <p>Consulter le marchand pour l'installation d'une pompe plus volumineuse ou d'une seconde pompe.</p>



Réf.	Désignation	Qté	MRGD200MC2	MRGD200MC3 MRGD200MC4
1	Cordon	1	E01 1241 7	E01 1241 5
2	Vis d'assemblage M6x25	2	*	*
3	Vis d'assemblage	2	*	*
4A	Condensateur de marche (12 microfarad, 450 V)	1	E14 0121 0	
4B	Condensateur de démarrage (150 microfarad, 250 V)	1	E14 1503 0	
5	Vis d'assemblage	2	*	
6	Vis d'assemblage	1	*	
7	Rondelle plate	1	H53 1102 0	
8	Interrupteur centrifuge	1	E12 2P82 3	
9	Vis d'assemblage M5x8	3	*	*
10	Joint d'arbre	1	F21 1202 0	F21 1202 0
11	Bouchon de vidange de 1/4 po NPT	1	H55 3204 0	H55 3204 0
12	Vis d'assemblage M6x25	4	*	*
13	Vis d'assemblage M8x25	4	*	*
14	Joint torique	()	G47 3811 0(3)	G47 3811 0(2)
15	Vis d'assemblage M5x8	1	*	*
16	Vis d'assemblage M10x30	3	*	*
17	Joint torique	1	G47 3891 0	G47 3891 0
18	Joint d'huile	1	F25 2501 0	F25 2501 0
19	Bague de joint d'huile	1	A24 3811 0	A24 3811 0
20	Impulseur	1	B27 3811 0	B27 3811 0
21	Couteau rotatif	1	A39 3811 0	A39 3811 0
22	Rondelle plate	1	H53 1008 0	H53 1008 0
23	Rondelle de blocage	1	H54 1008 0	H54 1008 0
24	Écrou borgne M12	1	H56 6122 0	H56 6122 0
25	Broyeur fixe	1	A40 3811 0	A40 3811 0
26	Vis d'assemblage M6x16	4	*	*

* Article standard. Achat local.

Garantie limitée

F.E. MYERS garantit au consommateur initial (ci-après appelé l'« Acheteur ») que les produits énumérés dans les présentes sont exempts de défaut de matériau et de fabrication pendant la durée de la garantie à compter de la durée des garanties indiquées ci-dessous.

Produits	Durée des garanties
Produits de puisard/d'égout/d'effluents	24 mois à compter de la date de fabrication
Réservoirs en fibre de verre	5 ans à compter de la date de la première installation
Réservoirs sous pression en acier	5 ans à compter de la date de la première installation
Pompes à éjecteur, petites pompes centrifuges, pompes submersibles et ou tous les accessoires connexes	<i>Selon le premier terme atteint :</i> 12 mois à compter de la date de la première installation 18 mois à compter de la date de fabrication

Nos garanties ne s'appliquent pas aux produits ayant fait l'objet de négligence, d'une mauvaise utilisation, d'une mauvaise installation ou d'un manque d'entretien adéquat. Sans aucune limitation des présentes, la garantie des moteurs triphasés submersibles sera nulle et non avenue si ces moteurs sont branchés et fonctionnent sur le courant monophasé par l'intermédiaire d'un déphaseur. Il faut également noter que les moteurs triphasés doivent être protégés par un relais de surcharge tripolaire thermocompensé à déclenchement extrêmement rapide du calibre recommandé, sinon la garantie sera nulle et non avenue.

Le seul recours de l'Acheteur et la seule responsabilité de F.E. MYERS consistent à réparer ou à remplacer (au choix de F.E. MYERS) les produits qui se révéleraient défectueux. L'Acheteur s'engage à payer tous les frais de main d'œuvre et d'expédition du produit couvert par sa garantie et de s'adresser au concessionnaire-installateur ayant procédé à l'installation dès qu'un problème est découvert pour obtenir un service sous garantie. Aucune demande de service en vertu de sa garantie ne sera acceptée après expiration de la durée de sa garantie. Ces garanties ne sont pas transférables.

F.E. MYERS DÉCLINE TOUTE RESPONSABILITÉ POUR TOUT DOMMAGE INDIRECT OU FORTUIT QUEL QU'IL SOIT.

LES PRÉSENTES GARANTIES SONT EXCLUSIVES ET TIENNENT LIEU DE TOUTE AUTRE GARANTIE FORMELLE ET TACITE, Y COMPRIS, MAIS SANS S'Y LIMITER, TOUTE GARANTIE TACITE DE QUALITÉ MARCHANDE OU DE CONVENANCE DU PRODUIT À UNE FIN PARTICULIÈRE. LA DURÉE DES PRÉSENTES GARANTIES NE DEVRA PAS DÉPASSER LA DURÉE DES GARANTIES FORMELLES STIPULÉES DANS LES PRÉSENTES.

Certains états, territoires et certaines provinces ne permettent pas l'exclusion ou la limitation des dommages indirects ou fortuits, ni les limitations relatives à la durée des garanties tacites. Par conséquent, il se peut que les limitations ou les exclusions stipulées dans les présentes ne s'appliquent pas dans ce cas. Ces garanties accordent des droits juridiques précis, bien que l'on puisse bénéficier d'autres droits, selon la province, le territoire ou l'état dans lequel on réside.

Ces garanties remplacent et annulent toutes les garanties précédemment publiées.

F.E. MYERS
1101 Myers Parkway, Ashland, OH 44805-1989
Tél. : 888-987-8677 • Téléc. : 800-426-9446 • www.femyers.com

Desempaque e inspección

Manipule con cuidado. Verifique los artículos recibidos con la lista de empaque para asegurarse de haber recibido todo el equipo. Inspeccione la bomba para determinar si se ha dañado durante el envío. De ser así, envíe un reclamo a la empresa de transporte inmediatamente.

Información general sobre la seguridad

¡LEA Y SIGA LAS INSTRUCCIONES DE SEGURIDAD!

⚠ Este es el símbolo de alerta de seguridad. Cuando vea este símbolo en su bomba o en este manual, busque alguna de las siguientes palabras de advertencia y esté alerta a la posibilidad de lesiones personales:

⚠ PELIGRO advierte acerca de los peligros que **provocarán** lesiones personales graves, muerte o daños materiales considerables si se ignoran.

⚠ ADVERTENCIA advierte acerca de los peligros que **pueden provocar** lesiones personales graves, muerte o daños materiales considerables si se ignoran.

⚠ PRECAUCIÓN advierte acerca de los peligros que **provocarán o podrán provocar** lesiones personales o daños materiales menores si se ignoran.

NOTA: Indica instrucciones especiales que son importantes pero que no están relacionadas con los peligros.

NOTA: Instale la bomba en posición vertical solamente. La instalación de la bomba en cualquier otra posición invalidará la garantía.

NOTA: ¡Esta unidad no ha sido diseñada para usos con agua salada o salmuera! El uso de agua salada o salmuera invalidará la garantía.

1. Para evitar lesiones graves y/o daños materiales, lea atentamente estas reglas e instrucciones.
2. Verifique sus normas locales antes de la instalación. Usted debe cumplir con sus reglas.
3. Ventile todo tanque séptico o de aguas residuales según las normas locales.
4. No instale la bomba en ningún lugar clasificado como peligroso por el National Electrical Code, ANSI/NFPA 70 1984.

5. La bomba puede calentarse durante la operación. Para evitar quemaduras cuando se realicen trabajos de reparación o de mantenimiento en la bomba, permita que se enfríe durante 20 minutos después de apagarla, y antes de manipularla.
6. No permita que la bomba marche en seco. Una marcha en seco hará que se recaliente e invalidará la garantía.
7. La lubricación de la bomba es permanente. Verifique el nivel del aceite en la plancha de estanqueidad periódicamente. Verifique que no haya agua en el aceite en la plancha de estanqueidad. Consulte las instrucciones en la sección de "Operación/Lubricación", Página 4.

⚠ ADVERTENCIA **Tensión peligrosa. Puede provocar choques, quemar o matar. La bomba se encuentra en el agua durante la operación. Para evitar choques fatales, proceda de la siguiente manera si es necesario prestar servicio a la bomba:**

⚠ Conecte la bomba a tierra por medio de una masa adecuada como una tubería de agua puesta a tierra, una canalización metálica debidamente puesta a tierra, o un sistema de cables puestos a tierra.

⚠ No retire el cordón ni el reductor de tensión.

⚠ No conecte un conducto a la bomba.

⚠ No levante la bomba por medio del cordón eléctrico (Consulte la sección de "Advertencia si se levanta por medio del cordón", que aparece a continuación).

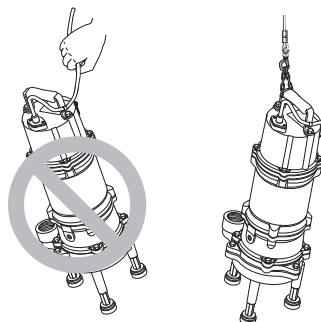
- A. Conecte la bomba a tierra conforme a todas las normas y reglas que correspondan.
- B. Desconecte la corriente a la caja de salida o al disyuntor antes de realizar trabajos de reparación o de mantenimiento.
- C. Para reducir el riesgo de choque eléctrico, tenga cuidado cuando cambie los fusibles o reposicione el disyuntor. No se pare sobre agua cuando trabaje en la caja de control o con el disyuntor.
- D. Esta bomba ha sido diseñada sólo para conexiones permanentes. Es necesario suministrar un reductor de tensión en la caja de control para la conexión del cordón eléctrico a la caja. Todos los componentes de control deben estar certificados por UL o CSA y deben ser adecuados para el uso final. La instalación de la bomba y de todo otro equipo de control asociado a la misma debe ser realizada por personal calificado.

Advertencia si se levanta por medio del cordón

⚠ ADVERTENCIA



Riesgo de choque eléctrico. Puede quemar o matar. No levante la bomba por medio del cordón eléctrico.



Riesgo de choque eléctrico y de incendio.

1. Si se trata de levantar o de sostener la bomba por medio del cordón eléctrico, se puede dañar el cordón y sus conexiones, dejar expuestos hilos desnudos y provocar un incendio o un choque eléctrico.
2. Use el mango en la parte superior de la bomba cuando deba izar o bajar la bomba. Desconecte la corriente eléctrica a la bomba antes de realizar cualquier trabajo en el mismo o de tratar de sacarla del foso.
3. La garantía quedará anulada si la bomba se levanta o se sostiene por medio del cordón eléctrico.

Instalación

Esta bomba se puede instalar en un sistema de extracción guiado por riel para facilitar su inspección y servicio. Los rieles de guía permiten la remoción de la bomba sin perturbar la tubería y sin necesidad de que el personal entre al pozo sumidero (la mayoría de las normas requieren equipo de protección y capacitación antes de entrar en un pozo sumidero). Si la bomba se instala con un sistema de riel de guía, coloque la bomba en posición opuesta a la abertura de afluencia para evitar áreas de agua estancada en donde se puedan asentar partículas sólidas.

Instale la bomba sobre una superficie dura y nivelada (cemento, asfalto, etc.). Nunca coloque la bomba directamente sobre superficies de tierra, arcilla o gravilla. La cuenca debe tener al menos 18" (458 mm) de diámetro y 30" (762 mm) de profundidad. Las patas de la bomba se envían sueltas en la caja con la bomba. Instálelas antes de poner la bomba en el foso.

Montaje de la bomba

Instale la bomba como una unidad independiente.

Colóquela sobre el piso de la cuenca. Instale un caño de unión en la tubería de descarga para permitir su remoción durante los trabajos de reparación y mantenimiento.

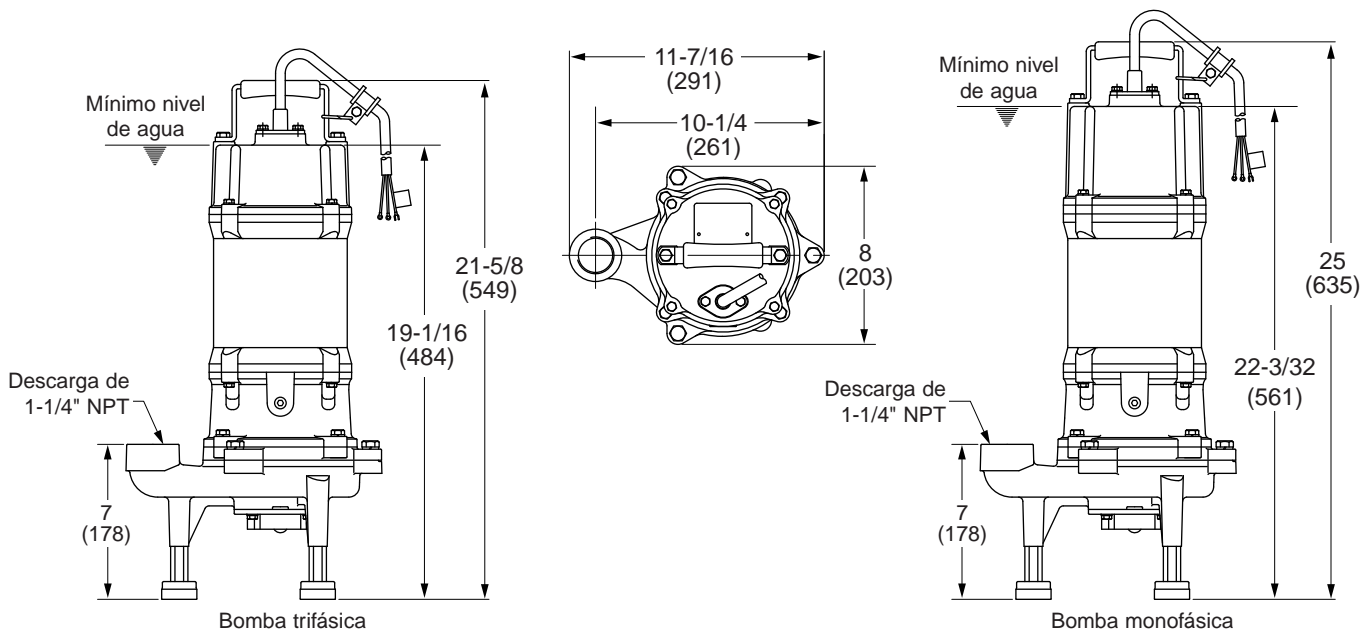
Tubería

La tubería no debe ser menor que la descarga de la bomba.

Información eléctrica

⚠ ADVERTENCIA Tensión peligrosa. Puede provocar choques, quemaduras, comenzar un incendio o matar. Cuando instale, opere o repare esta bomba, observe las instrucciones de seguridad eléctrica indicadas a continuación. Esta bomba debe ser instalada sólo por personal de servicio capacitado.

1. NO empalme el cordón eléctrico.
2. NO maneje ni repare la bomba mientras está conectada a la fuente de corriente eléctrica.
3. NO opere la bomba a menos que esté debidamente conectada a tierra. Conecte la bomba directamente a un bloque de bornes puesto a tierra en una caja de control de bomba o flotador automático, para una operación automática. Conecte la bomba conforme a todas las normas que correspondan. Para un funcionamiento continuo, conecta la bomba directamente a la caja del interruptor.
4. Una tensión incorrecta puede provocar un incendio o dañar el motor considerablemente e invalidará la garantía. Verifique que la frecuencia y la tensión indicadas en la placa de fábrica correspondan a la frecuencia y a la tensión del suministro de corriente eléctrica. La tensión de suministro debe estar entre +10% de la tensión de la placa de fábrica. En caso de duda, consulte con un electricista certificado.
5. La rotación de la bomba debe ser en la dirección de las agujas del reloj (↻) (mirando desde la parte superior de la bomba). NUNCA la opera en reversa.
6. Conecte la bomba a su propio circuito sin nada más en el circuito. Consulte el Cuadro I, página 4, para información sobre los tamaños de los fusibles y disyuntores. Consulte las Figuras 2 y 3 para los diagramas de conexión trifásica de 230/460 voltios. Use un tablero de control del tamaño correspondiente a la bomba. Consulte las instrucciones de Instalación del tablero de control para obtener información sobre las conexiones de los cables.
7. Instale la bomba conforme a las normas eléctricas que correspondan. Instale un interruptor de separación a fusibles o un disyuntor conforme a las normas locales.
8. Si una unidad trifásica marcha en reversa, cambie dos de los tres cables de suministro de electricidad entre ellos para invertir la dirección de la rotación del motor.



4331 0203

Figura 1: Dimensiones en pulgadas (mm)

Cuadro I: Especificaciones del motor, del interruptor y del cordón

Modelo No.	HP del motor	Tensión	Amperaje de carga total del motor	Requiere ramal individual (amperios)	Largo del cordón en pies (m)	Mínimo nivel del agua en pulgadas (mm)	Tamaño del adaptador de descarga	Máx. temperatura nominal (°F) (Intermitente)
MRGD200MC2	2	230/60/1	13.0	20	20 (6.1)	22 1/2 (572)	1 1/4 NPT	122
MRGD200MC3	2	230/60/3	8.2	15	20 (6.1)	19 1/2 (496)	1 1/4 NPT	122
MRGD200MC4	2	460/60/3	4.1	15	20 (6.1)	19 1/2 (496)	1 1/4 NPT	122

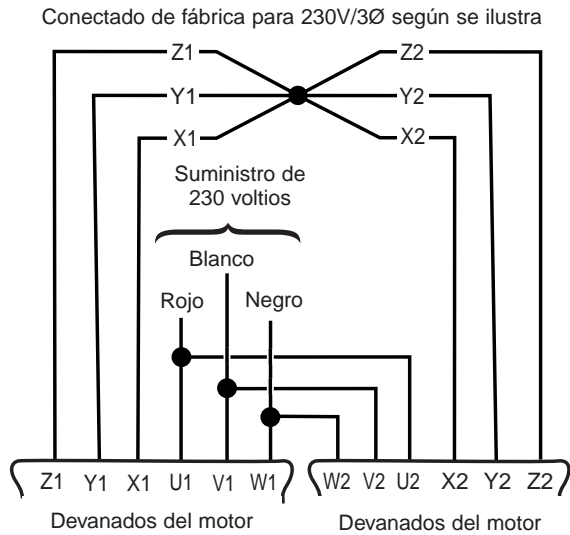


Figura 2: Conexiones de cables trifásicos de 230 Voltios

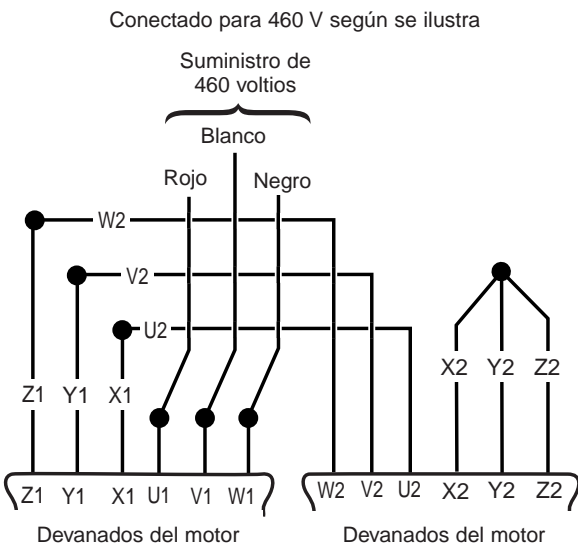


Figura 3: Conexiones de cables trifásicos de 460 Voltios

Tableros de control

ADVERTENCIA Riesgo de choque eléctrico. Conecte la bomba y el motor a tierra antes de conectar los controles o la fuente de corriente eléctrica. Cumpla con las normas eléctricas locales que regulan las instalaciones de bombas y de controles.

El tablero de control no viene incluido con la bomba. Instale un tablero de control simplex o duplex (adquirir por separado) para un funcionamiento correcto de la bomba. Nuestro catálogo enumera una gama completa de controles e interruptores. Si no se usa un tablero de control Myers, instale un tablero de control con un disyuntor o con un interruptor de separación con fusibles, según lo requieran las normas locales. Use encendedores magnéticos con protección de compensación ambiental contra sobrecarga. Las unidades trifásicas requieren protección de tres líneas; las unidades monofásicas requieren sólo protección de una línea. Una protección inadecuada invalidará la garantía.

Regulación de sobrecarga del tablero de control– trifásico

NOTA: Consulte las instrucciones de instalación y operación de su tablero de control antes de regular la graduación de sobrecarga. Configure el dispositivo de protección contra sobrecarga a la corriente de carga total de la placa de fábrica. Determine el tamaño del dispositivo de protección contra sobrecarga de manera que la corriente de disparo sea el 115% de la corriente de carga total de la placa de fábrica.

Operación



Peligro de activación inesperada del equipo y de la cuchilla. La rotación de la cuchilla con las manos en el área de la misma puede provocar la pérdida de los dedos de la mano. Desconecte la corriente eléctrica y mantenga las manos alejadas de la abertura de admisión de la bomba cuando trabaje en la bomba o la manipule por

cualquier razón. No use controles de reposición automática con esta bomba.

Las unidades monofásicas tienen un protector automático contra sobrecarga en el motor que protege el motor contra quemaduras debido a un recalentamiento o una sobrecarga. Cuando el motor se enfría, el protector contra sobrecarga se reposiciona automáticamente y enciende el motor. Esto puede suceder en cualquier momento.

Las unidades trifásicas requieren una protección externa contra sobrecarga.

Si el dispositivo contra sobrecarga se dispara frecuentemente, inspeccione la causa. Puede ser:

- impulsor atascado
- tensión incorrecta o baja
- protector contra sobrecarga térmica defectuoso
- falla eléctrica en el motor. Si el motor tiene una falla eléctrica, reemplace la bomba.

Ensamblaje de la Moledora: La unidad moledora está compuesta de una cuchilla giratoria dentro de una cuchilla anular fija. Si la bomba se atasca y se tapa continuamente, es señal de que las piezas de la moledora no están afiladas o están gastadas. Si la cuchilla anular o la cuchilla giratoria han perdido el filo, reemplace ambas.

NOTA: Las aguas domésticas residuales no provocarán que las piezas de la moledora pierdan mucho su filo o que se desgasten. Sin embargo, si se bombean sustancias abrasivas (como arena fina), éstas aumentarán el desgaste en la moledora y puede hacer que se deban cambiar las piezas de la misma con mayor frecuencia.

Lubricación: La bomba viene con lubricación permanente y los cojinetes del motor están sellados herméticamente. No es necesario aceitarlos ni engrasarlos.

La bomba no viene equipada con termostatos ni con un detector de fugas. Inspeccione el estado de las juntas trimestralmente cuando la bomba se use en un servicio pesado o anualmente en un servicio ligero.

NOTA: Si no se controla el estado de las juntas debidamente, la garantía quedará anulada. Los motores dañados por inundación de la cavidad del motor debido a una falla de las juntas o del aro tórico pueden no estar cubiertos bajo la garantía.

NOTA: Reduzca la cantidad de ángulos en la tubería de descarga para mantener el flujo de salida tan continuo como sea posible.

Verifique la capacidad de la bomba inspeccionando la descarga. Verifique que la bomba no vibre ni haga ruido.

Para una operación continua, el nivel del líquido debe ser al menos de 19 1/2" para una bomba trifásica o 22 1/2" para una bomba monofásica, para evitar que el motor se recaliente.

No permita que la bomba funcione en un sumidero seco, ya que se invalidará la garantía y puede dañar la bomba.

Mantenimiento

Esta bomba debe ser reparada sólo por mecánicos certificados con el conocimiento y las herramientas adecuadas.

NOTA: Siempre que se saque el soporte del cojinete para reparaciones o mantenimiento, saque el aceite y reemplácelo con un aceite nuevo cuando vuelva a ensamblar. Use sólo los aceites indicados en la lista de repuestos (Repuesto No. U197 8A). Cuando llene con aceite nuevo, NO llene demasiado. Para dejar espacio por expansión, use exactamente 1.8 pintas (0.77 litros) de aceite con un soporte de cojinete frío.

Reemplazo de la cuchilla

Los números de clave indicados en estos procedimientos se refieren a la vista despiezada (Page 8).



Tensión peligrosa, peligro de activación inesperada del equipo y de la cuchilla. Desconecte la corriente eléctrica y mantenga las manos alejadas de la abertura de admisión de la bomba cuando trabaje en la bomba o la manipule por cualquier razón. No use controles de reposición automáticos con esta bomba.

ADVERTENCIA Piezas pesadas. Use un malacate para izar y controlar la bomba durante las reparaciones.

NOTA: Esté preparado a manipular una gran cantidad de aceite cuando drene el soporte del cojinete. Inspeccione los aros tóricos y las piezas fundidas para verificar que no haya averías ni señales de fugas; verifique que no haya cables dañados o apretados.

1. Desconecte la fuente de suministro de corriente eléctrica.
2. Desconecte la tubería de descarga (este paso no es necesario si usted tiene un sistema de extracción guiado por riel).
3. Eleve y saque la bomba del foso usando el sistema de extracción o el mango (no el cordón) y coloque la bomba en un área adecuada en donde se pueda limpiar.
4. Elimine toda la oxidación y las sustancias que se hayan depositado en la bomba.

ADVERTENCIA Riesgo de infección por patógenos (como hepatitis) que se pueden acumular en la bomba durante su operación normal. Sumerja toda la bomba en una solución desinfectante (Clorox o cloro) por lo menos durante una hora antes de desarmarla.

5. Coloque un destornillador entre el eje y la cuchilla, en una ranura de la cuchilla anular y destornille la tuerca prisionera (Clave No. 24) para soltar la cuchilla giratoria (Clave No. 21).
6. Destornille los cuatro tornillos prisioneros y use un destornillador para sacar la cuchilla anular (Clave No. 25) de la voluta.
7. Invierta los pasos 1 al 7 para volver a ensamblar la cuchilla.

Remoción del impulsor

1. Siga los pasos 1 al 7 de la sección "Reemplazo de la cuchilla".
2. Destornille los 4 tornillos prisioneros que sujetan la voluta a la plancha de estanqueidad y golpetee la voluta para aflojarla. Saque la voluta.

NOTA: VERIFIQUE que tenga los tornillos prisioneros correctos ¡los incorrectos soltarán la plancha de estanqueidad del soporte y también dejarán salir una gran cantidad de aceite!

3. Con un destornillador (o dos) detrás del impulsor, empuje el impulsor hacia abajo por el eje hasta que se haya liberado. Sáquelo.
4. Si la llave del eje permaneció en el mismo, sáquela.
5. Invierta los pasos 1 al 4 para volver a ensamblar el impulsor.

Reemplazo de la junta

1. Siga los pasos 1 al 7 de la sección “Reemplazo de la cuchilla”.
2. Siga los pasos 1 al 4 de la sección “Remoción del impulsor”.
3. Apoye la bomba sobre un costado y saque el tapón del aceite (Clave No. 11) del soporte del cojinete. Drene el soporte del cojinete. Ponga aceite en un envase limpio y verifique que no haya agua en el aceite y que el aceite no esté opaco (sucio).

NOTA: El agua es más pesada que el aceite. Verifique que no haya agua en el fondo del aceite. Aparecerá como pequeñas burbujas. Si hay agua en el aceite, se deberá reemplazar la junta del eje o el aro tórico. Si no hay agua en el aceite, no será necesario cambiarlos. La opacidad es debido a que la luz no puede pasar a través del aceite e indica que éste está sucio.

4. Saque los cuatro tornillos prisioneros y las arandelas de seguridad (Clave No. 16) que sujetan la plancha de estanqueidad al soporte del cojinete. Golpetee alrededor de la línea divisoria con un martillo de plomo o un mazo de cuero para aflojar la plancha de estanqueidad. Saque la plancha de estanqueidad del soporte del cojinete.
5. Saque la junta de aceite (Clave No. 18) y el manguito de la junta de aceite (Clave No. 19) de la plancha de estanqueidad.
6. Saque el aro tórico de la plancha de estanqueidad (Clave No. 17) y limpie la ranura del aro tórico.
7. Saque el aro de retención de la junta de la plancha de estanqueidad.

NOTA: La junta del eje (Clave No. 10) está compuesta por 5 piezas la junta superior e inferior de carburo de silicio, las dos juntas giratorias de carburo de silicio y el resorte. Asegúrese de no rayar ni estropear el eje cuando retire las juntas. Si se estropea el eje, se deberá alisar con un paño de esmeril o de pulir antes de instalar una nueva junta. No reduzca el diámetro del eje.

8. Jale y gire las mitades giratorias de la junta para sacarlas del eje del motor. De ser necesario, use un destornillador de hoja plana para sacar las juntas del eje.
9. Destornille los cuatro tornillos prisioneros y saque el soporte del cojinete del cárter del motor.
10. Use un destornillador de hoja plana y saque cuidadosamente la mitad inferior de la junta de la cavidad de la plancha de estanqueidad.
11. Use un destornillador de hoja plana y saque cuidadosamente la mitad superior de la junta de la cavidad del soporte del cojinete.

Instalación del nuevo junta del eje

NOTA: Instale todos los nuevos aro tóricos, juntas, y empaquetaduras durante el reensamblaje. Se recomienda reemplazar los aro tóricos cada vez que se preste servicio a la bomba.

1. Limpie las cavidades de las juntas en el soporte del cojinete y en la plancha de estanqueidad.
2. Lubrique las juntas con una pequeña cantidad de aceite limpio.
3. Verifique que el eje no tenga muescas ni rayones.
4. Sólo con la presión del dedo, oprima las mitades fijas de la junta firmemente en las cavidades de las juntas en el soporte del cojinete y en la plancha de estanqueidad, con la cara pulida hacia afuera.

NOTA: Asegúrese de no rayar la superficie de las juntas.

5. Vuelva a instalar el aro de retención de la junta inferior.
6. Vuelva a instalar el soporte del cojinete en el motor. Use un Nuevo aro tórico.
7. Deslice las juntas giratorias y el resorte (Clave No. 10) en el eje.

NOTA: Asegúrese de no rayar la superficie de las juntas. Asegúrese de que el hombro del eje no dañe las caras de las juntas cuando estén pasando por encima del mismo. Verifique que las superficies pulidas de las juntas giratorias estén enfrentadas a las superficies correspondientes de las mitades fijas de las juntas.

8. Limpie la ranura del aro tórico en el soporte del cojinete e instale un nuevo aro tórico (Clave No. 17).

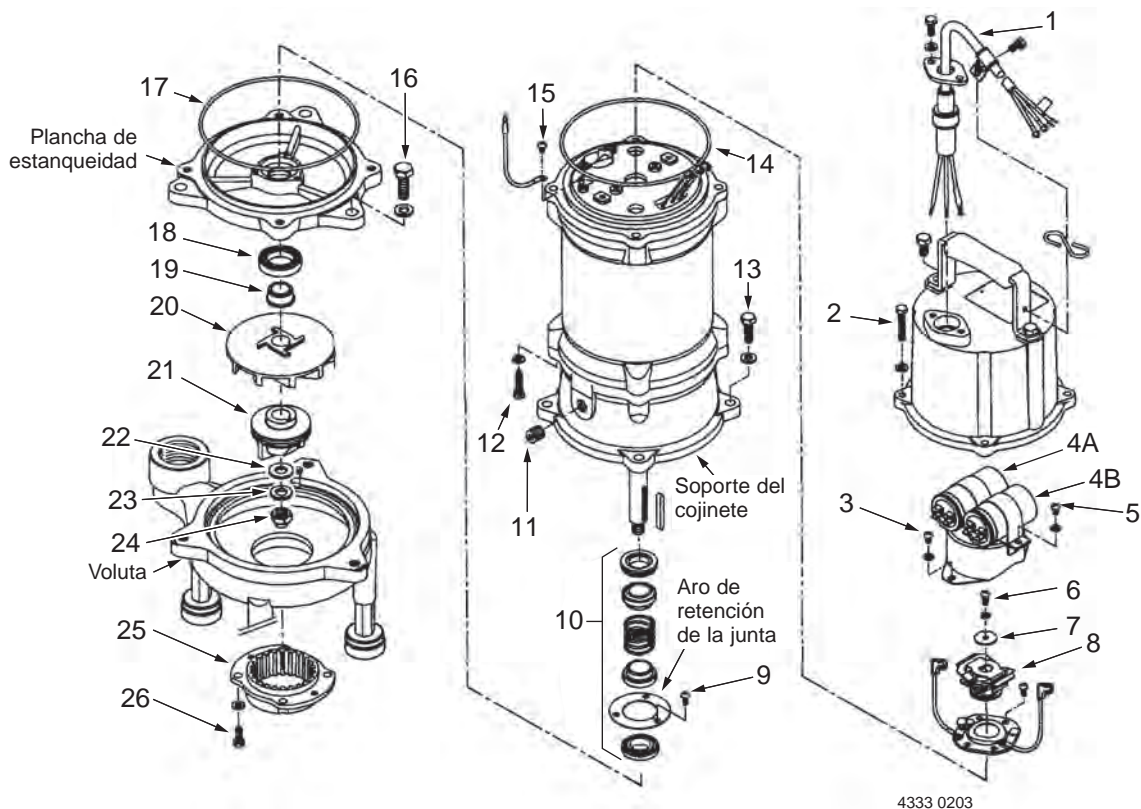
NOTA: Se recomienda reemplazar los aro tóricos cada vez que se preste servicio a la bomba.

9. Vuelva a instalar la plancha de estanqueidad, las arandelas de seguridad, y los tornillos prisioneros.
10. Vuelva a instalar la junta de aceite (Clave No. 18) y el manguito de la junta de aceite (Clave No. 19) en el eje.
11. Vuelva a instalar la llave accionadora del impulsor en la ranura del eje.
12. Usando la llave como guía, vuelva a instalar el impulsor en el eje.
13. Vuelva a instalar la voluta en la plancha de estanqueidad.
14. Vuelva a instalar la cuchilla anular en la voluta.
15. Usando la llave como guía, vuelva a instalar la cuchilla giratoria en el eje.
16. Bloquee la cuchilla con un destornillador en una de las ranuras de la cuchilla anular y vuelva a instalar la arandela plana, la arandela de seguridad y la tuerca prisionera en el eje.
17. Vuelva a llenar el soporte del cojinete con aceite dieléctrico limpio (P/N U197 8A) y vuelva a colocar el tapón de drenaje.
18. Coloque la bomba de pie. Verifique que el impulsor gire libremente. La bomba está lista para su instalación en el foso.

⚠ ADVERTENCIA Tensión peligrosa. Puede provocar choques, quemaduras o muerte. Desconecte la corriente eléctrica antes de tratar de realizar trabajos de mantenimiento o de reparación en la bomba.

⚠ ADVERTENCIA Activación inesperada del equipo y cuchillas peligrosas que pueden provocar la pérdida de los dedos de la mano. Mantenga las manos alejadas de la entrada de aspiración de la bomba cuando trabaje en la bomba o realice reparaciones o mantenimiento en la misma.

SÍNTOMA	POSIBLE(S) CAUSA(S)	MEDIDA CORRECTIVA
El motor no marcha	<p>El protector del motor se disparó.</p> <p>Disyuntor abierto o fusible quemado.</p> <p>Impulsor atascado o bloqueado.</p> <p>La cuchilla o la cuchilla anular perdieron filo o están gastadas.</p> <p>Cable eléctrico dañado.</p> <p>Tablero de control defectuoso.</p> <p>Interruptor de nivel del líquido defectuoso.</p> <p>No hay suficiente líquido en el pozo sumidero para activar los controles.</p> <p>Los cordones de nivel del líquido están enredados.</p> <p>Controles automáticos defectuosos.</p>	<p>Deje que el motor se enfríe. Verifique que la bomba esté totalmente sumergida (consulte la página 4). Despeje la suciedad de la voluta y del impulsor. Verifique si hay un alto tiro de corriente.</p> <p>Reemplace el fusible o reposicione el disyuntor. NOTA: si el disyuntor se abre repetidamente, no lo reposicione. Llame a un electricista certificado.</p> <p>Verifique el tiro de corriente. Si es más del doble del amperaje de la placa de fábrica, el impulsor está atascado. Es posible que los cojinetes y el eje estén averiados. DESCONECTE LA CORRIENTE ELÉCTRICA, elimine la suciedad de la voluta, del impulsor, y de la cuchilla según se requiera.</p> <p>DESCONECTE LA CORRIENTE ELÉCTRICA, saque la bomba e inspeccione la cuchilla y la cuchilla anular. Reemplace si están gastadas o han perdido el filo.</p> <p>La resistencia entre el cable eléctrico y la tierra debe ser infinita. Si la lectura es menor que infinito, llame a un electricista certificado.</p> <p>Verifique los cables del tablero de control. Llame a un electricista certificado.</p> <p>Con el interruptor desconectado de la corriente eléctrica, verifique la continuidad a través del interruptor, mientras activa el interruptor de nivel del líquido. Reemplace el interruptor de ser necesario.</p> <p>Deje que el líquido suba varias pulgadas por encima del nivel de activación.</p> <p>Desenrede los cordones para que funcionen libremente.</p> <p>Pruebe de hacer marchar la bomba en el modo manual. Si marcha, el control automático ha fallado.</p>
La bomba marcha continuamente	<p>Los cordones de control de nivel del líquido están enredados.</p> <p>Hay una bolsa de aire en la bomba.</p> <p>El flujo de entrada corresponde o sobrepasa la capacidad de la bomba.</p>	<p>Desenrede los cordones para que funcionen libremente.</p> <p>Detenga la bomba por un minuto, luego vuelva a encenderla. Repita el cierre y el encendido hasta que se despeje la bolsa de aire. Si aún persiste, DESCONECTE LA CORRIENTE ELÉCTRICA, saque la bomba y perfore un orificio de 1/8" en la tubería de descarga entre la descarga de la bomba y la válvula de retención.</p> <p>Es posible que se necesite una bomba más grande o más bombas.</p>
La bomba entrega poco o nada de efluente	<p>Verifique si la válvula está obstruida, atascada en la posición cerrada o instalada en posición inversa.</p> <p>Demasiada altura en el sistema.</p> <p>Aspiración de la bomba obstruida.</p> <p>Tensión o conexión de cables incorrectas.</p> <p>Hay una bolsa de aire en la bomba.</p> <p>Impulsor gastado o averiado.</p> <p>Controles del nivel del líquido instalados incorrectamente o defectuosos.</p>	<p>Verifique que la válvula de retención esté instalada debidamente (la flecha de flujo debe apuntar en dirección opuesta a la bomba) y que esté funcionando correctamente.</p> <p>Consulte con el representante de ventas.</p> <p>DESCONECTE LA CORRIENTE ELÉCTRICA, saque la bomba, inspeccione y despeje según se requiera.</p> <p>Verifique la rotación de la bomba; verifique la tensión en la placa de fábrica y la tensión de suministro (deben corresponder); consulte a un electricista certificado.</p> <p>Detenga la bomba por un minuto, luego vuelva a encenderla. Repita el cierre y el encendido hasta que se despeje la bolsa de aire. Si aún persiste, DESCONECTE LA CORRIENTE ELÉCTRICA, saque la bomba y perfore un orificio de 1/8" en la tubería de descarga entre la descarga de la bomba y la válvula de retención.</p> <p>DESCONECTE LA CORRIENTE ELÉCTRICA, saque la bomba e inspeccione el impulsor. Reemplace de ser necesario.</p> <p>Reposicione o reemplace según se requiera.</p>
La bomba pasa por los ciclos continuamente	<p>No se ha instalado una válvula de retención en la descarga.</p> <p>La válvula de retención en la descarga está atascada en la posición abierta.</p> <p>El pozo sumidero para aguas residuales es demasiado pequeño.</p> <p>Controles del nivel del líquido instalados incorrectamente o defectuosos.</p> <p>La bomba es demasiado pequeña para el flujo de admisión.</p>	<p>Instale una válvula de retención en la descarga.</p> <p>Repare o reemplace la válvula de retención según se requiera.</p> <p>Consulte con el representante de ventas.</p> <p>Reposicione o reemplace según se requiera.</p> <p>Consulte con el representante de ventas sobre una bomba más grande o una segunda bomba.</p>



Clave No.	Descripción de la pieza	Cantidad	MRGD200MC2	MRGD200MC3 MRGD200MC4
1	Cordón	1	E01 1241 7	E01 1241 5
2	Tornillo prisionero M6x25	2	*	*
3	Tornillo prisionero	2	*	*
4A	Capacitor de marcha (12 mfd, 450V)	1	E14 0121 0	
4B	Capacitor de arranque (150 mfd, 250V)	1	E14 1503 0	
5	Tornillo prisionero	2	*	
6	Tornillo prisionero	1	*	
7	Arandela plana	1	H53 1102 0	
8	Interruptor centrífugo	1	E12 2P82 3	
9	Tornillo prisionero M5x8	3	*	*
10	Junta del eje	1	F21 1202 0	F21 1202 0
11	Tapón de drenaje de 1/4" NPT	1	H55 3204 0	H55 3204 0
12	Tornillo prisionero M6x25	4	*	*
13	Tornillo prisionero M8x25	4	*	*
14	Aro tórico	()	G47 3811 0(3)	G47 3811 0(2)
15	Tornillo prisionero M5x8	1	*	*
16	Tornillo prisionero M10x30	3	*	*
17	Aro tórico	1	G47 3891 0	G47 3891 0
18	Junta de aceite	1	F25 2501 0	F25 2501 0
19	Manguito de la junta de aceite	1	A24 3811 0	A24 3811 0
20	Impulsor	1	B27 3811 0	B27 3811 0
21	Cuchilla giratoria	1	A39 3811 0	A39 3811 0
22	Arandela plana	1	H53 1008 0	H53 1008 0
23	Arandela de seguridad	1	H54 1008 0	H54 1008 0
24	Tuerca prisionera M12	1	H56 6122 0	H56 6122 0
25	Moledora fija	1	A40 3811 0	A40 3811 0
26	Tornillo prisionero M6x16	4	*	*

* Artículo estándar de ferretería. Se adquiere a nivel local.

Garantía limitada

F.E. MYERS le garantiza al comprador/consumidor original (“Comprador” o “Usted”) de los productos enumerados abajo, que estos estarán libres de defectos en material y mano de obra durante el Período de Garantía indicado a continuación.

Producto	Período de Garantía
Productos para sumideros/aguas residuales/efluente	24 meses desde la fecha de fabricación
Tanques de devanado de fibra de vidrio	5 años desde la fecha de la instalación inicial
Tanques a presión de acero	5 años desde la fecha de la instalación inicial
Bombas de chorro, pequeñas bombas centrífugas, bombas sumergibles y accesorios asociados	<i>lo que ocurra primero:</i> 12 meses desde la fecha de la instalación inicial, o 18 meses desde la fecha de fabricación

Nuestra garantía no se aplicará a ningún producto que, a nuestro sólo juicio, haya sido sometido a negligencia, mal uso, instalación inadecuada o mal mantenimiento. Sin perjuicio a lo que antecede, la garantía quedará anulada en el caso en que un motor trifásico se haya usado con una fuente de alimentación monofásica, a través de un convertidor de fase. Es importante indicador que los motores trifásicos deben estar protegidos por relés de sobrecarga de disparo extra-rápido, con compensación ambiental de tres etapas, del tamaño recomendado, de lo contrario, la garantía quedará anulada.

Su único recurso, y la única obligación de F.E. MYERS es que F.E. MYERS repare o reemplace los productos defectuosos (a juicio de F.E. MYERS). Usted deberá pagar todos los cargos de mano de obra y de envío asociados con esta garantía y deberá solicitar el servicio bajo garantía a través del concesionario instalador tan pronto como se descubra un problema. No se aceptará ninguna solicitud de servicio bajo garantía que se reciba después del vencimiento del Período de Garantía. Esta garantía no se puede transferir.

F.E. MYERS NO SE HARÁ RESPONSABLE DE NINGÚN DAÑO CONSECUENTE, INCIDENTAL O CONTINGENTE.

LAS GARANTÍAS QUE ANTECEDEN SON EXCLUSIVAS Y EN LUGAR DE TODA OTRA GARANTÍA EXPLÍCITA O IMPLÍCITA, INCLUYENDO PERO SIN LIMITARSE A LAS GARANTÍAS IMPLÍCITAS DE COMERCIABILIDAD E IDONEIDAD PARA UN FIN ESPECÍFICO. LAS GARANTÍAS QUE ANTECEDEN NO SE EXTENDERÁN MÁS ALLÁ DE LA DURACIÓN EXPRESAMENTE SUMINISTRADA EN LA PRESENTE.

Algunos estados no permiten la exclusión o limitación de daños incidentales o consecuentes o de limitaciones de tiempo sobre garantías implícitas, de modo que es posible que las limitaciones o exclusiones que preceden no correspondan en su caso. Esta garantía le otorga derechos legales específicos y es posible que usted también tenga otros derechos que pueden variar de un estado al otro.

Esta garantía reemplaza toda garantía publicada anteriormente.

F.E. MYERS
1101 Myers Parkway, Ashland, OH 44805-1989
Teléfono: 888-987-8677 • Fax: 800-426-9446 • www.femyers.com

