



ITT

Residential Water Systems

Goulds Pumps

5G & 7G

60 Hz
Standard Capacity
4" Submersible
Pumps

For 4" and
larger wells



FEATURES

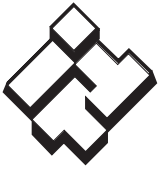
- **Powered for Continuous Operation:** All ratings are within the working limits of the motor as recommended by the motor manufacturer. Pump can be operated continuously without damage to the motor.
- **Field Serviceable:** Units are field serviceable with common tools and readily available repair parts.
- **Sand Handling Design:** Our face clearance, floating impeller stack has proven itself for over 40 years as a superior sand handling, durable pump design.
- **FDA Compliant Non-Metallic Parts:** Impellers, diffusers and bearing spiders are constructed of glass filled engineered composites. They are corrosion resistant and non-toxic.
- **Discharge Head:** Cast lead-free silicon bronze is strong and durable. Safety loop provided for installer convenience.
- **Check Valve:** External, lead-free, silicon bronze check valve with plastic poppet and BUNA o-ring seal.
- **Motor Adapter:** Cast lead-free silicon bronze provides a strong, accurate alignment of liquid end to motor. The plastic wrap around strainer keeps debris out of pump.
- **Stainless Steel Casing:** Polished stainless steel is strong and corrosion resistant.
- **Hex Shaft Design:** Six sided shafts for positive impeller drive.



Goulds Pumps is a brand of ITT Water Technology, Inc.
- a subsidiary of ITT Industries, Inc.

www.goulds.com

Engineered for life



ITT

GOULDS PUMPS Residential Water Systems

5G & 7G PUMPS

Series	Model	Required H.P.	Stages	Water End	
				Length (in)	Wt. (lbs)
5G	5G05	.5	15	17.2	12
	5G07	.75	20	20.3	14
	5G10	1	25	24.6	17
	5G15	1.5	34	30.3	20
7G	7G05	.5	11	14.6	10
	7G07	.75	15	17.2	12
	7G10	1	20	20.3	14
	7G15	1.5	25	24.6	17

FRANKLIN ELECTRIC 4" SINGLE-PHASE MOTORS

Order No.	Type	HP	Volts	Length (in)	Weight (lb)
S04932	2-wire Split-Phase	.5	115	9.5	18
S04942		.5	230	9.5	18
S05942		.75	230	10.7	21
S06942		1	230	11.8	24
S07942		1.5	230	15.1	31
S04930	3-wire	.5	115	9.5	19
S04940		.5	230	9.5	19
S05940		.75	230	10.7	21
S06940		1	230	11.8	24
S07940		1.5	230	13.6	28

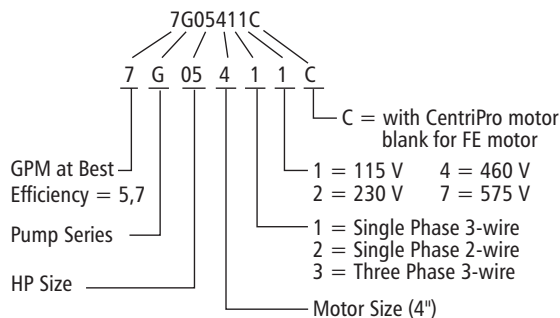
CENTRIPRO™ 4" SINGLE-PHASE MOTORS

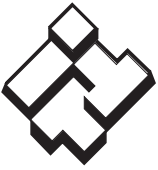
Order No.	Type	HP	Volts	Length (in)	Weight (lb)
M05421	2-wire PSC	.5	115	11.0	19.2
M05422		.5	230	11.0	19.2
M07422		.75	230	12.4	22.7
M10422		1	230	13.3	24.5
M15422		1.5	230	14.9	28.9
M05411	3-wire	.5	115	10.0	18.9
M05412		.5	230	9.7	18.1
M07412		.75	230	10.8	21.4
M10412		1	230	11.7	23.1
M15412		1.5	230	13.6	27.4

FRANKLIN ELECTRIC 4" THREE-PHASE MOTORS

Order No.	HP	Volts	Length (in)	Weight (lb)
S04978	.5	200	9.5	18
S04970		230		
S04975		460		
S05978	.75	200	10.7	21
S05970		230		
S05978		460		
S06978	1	200	11.8	24
S06970		230		
S06975		460		
S07978	1.5	200	11.8	24
S07970		230		
S07975		460		
S07979		575		

NUMBER CODE





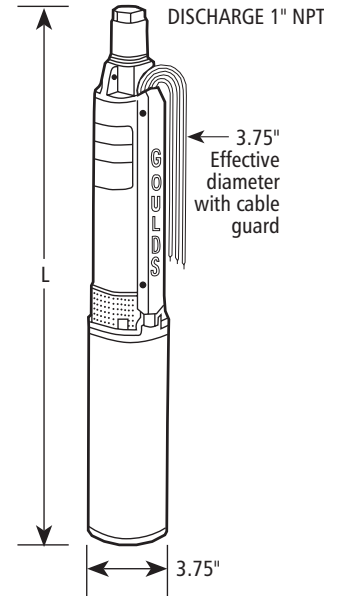
ITT

GOULDS PUMPS Residential Water Systems

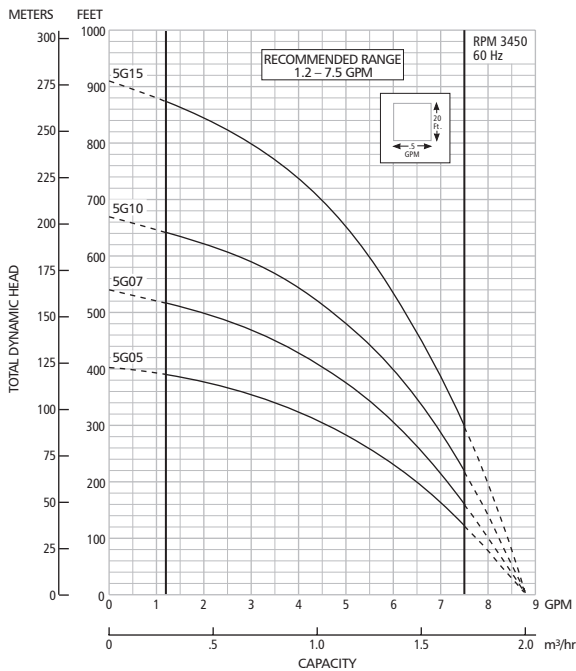
SPECIFICATIONS

Model	Flow Range GPM	Horsepower Range	Best Efficiency GPM	Discharge Connection	Minimum Well Size	Rotation ^①
5G	1.2 – 7.5	½–1½	5	1"	4"	CCW
7G	1.5 – 10	½–1½	7	1"	4"	CCW

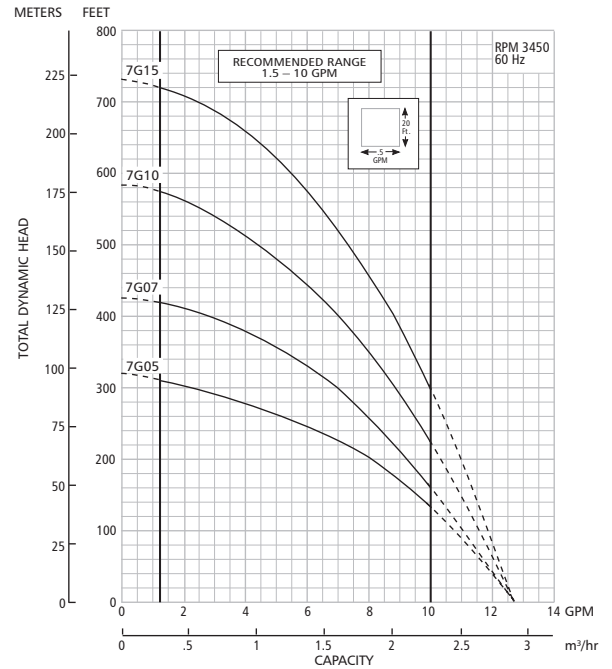
① Rotation is counterclockwise when observed from pump discharge end.

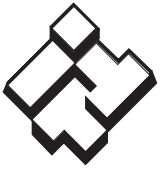


Model 5G



Model 7G





ITT

Residential Water Systems

Item No.	Part Description	Current Model		
		HP	5G	7G
	Number of Stages	1/2	15	11
		3/4	20	15
		1	25▲	20
		1 1/2	34▲	25▲
1	1" Check valve		7K1306	7K1306
2	Discharge head		7K60	7K60
3	Bearing		7K2739	7K2739
4	Retaining ring		7K817	7K817
5	Diffuser		7K9	7K12
6	Impeller		7K8	7K11
7	Bowl		7K7	7K7
8	Center sleeve▲		7K209	7K209
9	Intermediate bearing spider assembly▲		7K13	7K13
10	Intermediate bearing▲		7K156	7K156
11	Shim		7K155	7K155
12	Lower shaft sleeve		7K2243	7K2243
13	Motor adapter		7K1064	7K1064
14	Inlet strainer		7K1016	7K1016
15	Motor nut		13K114	13K114
16	Lock washer		13K117	13K117
17	Cable guard screw		13K91	13K91
18	Casing	1/2	7K484	7K483
		3/4	7K485	7K484
		1	7K861	7K485
		1 1/2	7K1178	7K861
19	Shaft and coupling	1/2	7K1068	7K1067
		3/4	7K1069	7K1068
		1	7K1070	7K1069
		1 1/2	7K1180	7K1070
20	Cable guard	1/2	7K1092	7K1091
		3/4	7K1093	7K1092
		1	7K1094	7K1093
		1 1/2	7K2147	7K1094
21	Upthrust washer		7K15	-
22	Insulator		7K1023	7K1023

Note: ▲ Indicates models with intermediate bearing spider.



Goolds Pumps, CentriPro and the ITT Engineered Blocks Symbol are registered trademarks and tradenames of ITT Industries Inc.

SPECIFICATIONS ARE SUBJECT TO CHANGE WITHOUT NOTICE.

B5&7G April, 2006

© 2006 ITT Water Technology, Inc.

Engineered for life

