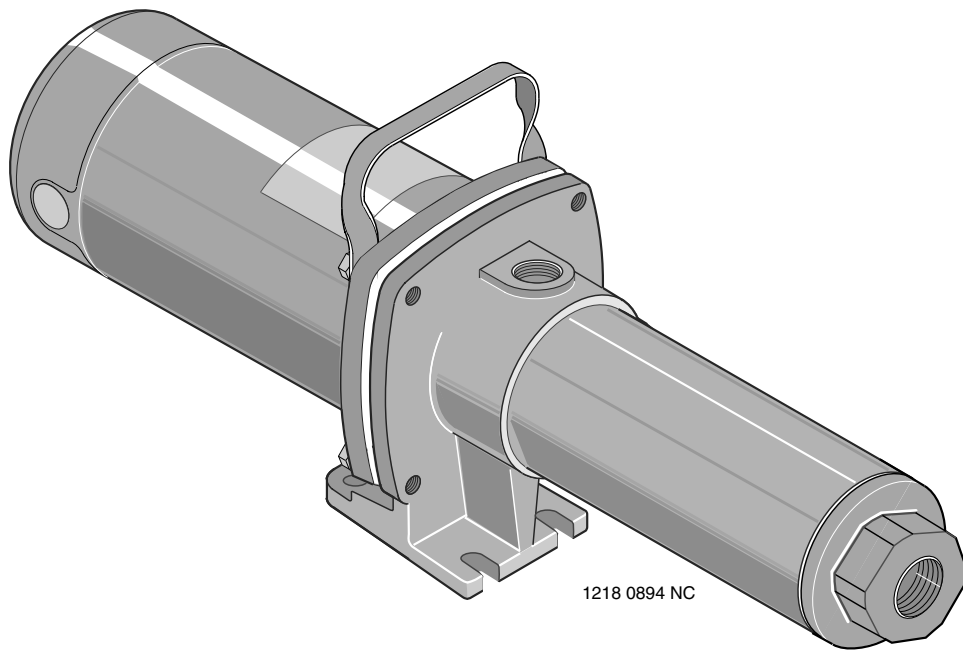


STA-RITE®

OWNER'S MANUAL

INSTALLATION AND OPERATING INSTRUCTIONS
REPAIR PARTS LIST

**Signature 2000
High Pressure Booster Pump
60 Hz. 1/2 through 3 HP**



1218 0894 NC

STA-RITE INDUSTRIES, DELAVAN, WISCONSIN 53115




⚠ DANGER

⚠ WARNING

⚠ CAUTION

ELECTRICAL SAFETY

⚠ WARNING



Hazardous voltage. Can shock, burn, or cause death.

Ground pump before connecting to power supply.

⚠ Some models of pump are supplied with 3-connector grounding type cord. Connect only to properly grounded, GFCI protected outlet. Do not lift pump by electrical cord.

⚠ Pump is non-submersible. Keep motor dry at all times. Do not wash motor. Do not immerse. Protect motor from wet weather.

⚠ If using extension cord, use only UL approved indoor/outdoor,

3-wire, grounding type cord. Do not allow any part of cord or receptacle ends to sit in water or damp locations.

⚠ Unplug pump before servicing.

⚠ CAUTION Burn Hazard. Do not touch an operating motor. Modern motors can operate at high temperatures. To avoid burns when servicing pump, allow it to cool for 20 minutes after shut-down before handling.

Follow local and/or national plumbing and electrical codes when installing.

⚠ WARNING Hazardous Pressure. DO NOT run the pump with discharge shutoff, as hose may burst or pump may be damaged due to high temperatures.

READ AND FOLLOW SAFETY INSTRUCTIONS!

This is the safety alert symbol. When you see this symbol on your pump or in this manual, look for one of the following signal words and be alert to the potential for personal injury:

DANGER warns about hazards that **will** cause serious personal injury, death or major property damage if ignored.

WARNING warns about hazards that **can** cause serious personal injury, death or major property damage if ignored.

CAUTION warns about hazards that **will** or **can** cause minor personal injury or property damage if ignored.

The word **NOTICE** indicates special instructions which are important but not related to hazards.

GENERAL SAFETY

To avoid risk of serious bodily injury and property damage, read safety instructions carefully before installing pump.

Do not allow pump or any system component to freeze. To do so may damage system and will void warranty.

⚠ WARNING Risk of electric shock. To avoid fatal shocks, proceed as follows if pump needs servicing.

- A. **Disconnect power to pump outlet box before pulling pump cord plug.** After plug is pulled, let pump cool for 20 minutes before attempting to work on it.
- B. **Take extreme care when changing fuses.** To reduced chance of fatal electrical shocks, **DO NOT** stand in water or put your finger in the fuse socket.
- C. **Ground** electrical outlet box.
- D. **Use only Ground Fault Circuit Interrupter (GFCI) protected grounded outlet** for cord plug.

Never run pump dry. Running pump dry can damage internal parts, overheat pump (which can cause burns to people handling or servicing pump), and will void warranty.

Do not pump chemicals or corrosive liquids with pump.

⚠ WARNING Hazardous Pressure.

- A. **Use high pressure reinforced type discharge hose ONLY.** See parts list for available hose, nozzle and fittings. A high pressure relief valve is recommended.
- B. **DO NOT use garden hose with High Pressure Booster pump.** Garden hose will not stand the discharge pressure produced and will fail.
- C. **High pressure discharge stream is dangerous.** To avoid injury, **DO NOT aim the discharge stream at any person or animal.**
- D. **BE SURE that the pump suction pipe pressure plus the pump discharge pressure does not exceed the pressure rating of hose and fittings.** See Table I for pump discharge pressure ratings.

INSPECT THE SHIPMENT

The high pressure booster pump has been carefully inspected and packaged to assure safe delivery. Inspect the pump and fittings and report to the carrier any items which are damaged or missing.

TABLE I - DISCHARGE PRESSURE

| GPM | HP | No. of Stages | Discharge Pressure PSI at Rated Flow | Discharge Pressure PSI at No Flow |
|-----|-------|---------------|--------------------------------------|-----------------------------------|
| 7 | 1/2 | 9 | 90 | 130 |
| 7 | 3/4 | 12 | 123 | 173 |
| 7 | 1 | 16 | 162 | 229 |
| 10 | 1/2 | 6 | 74 | 113 |
| 10 | 3/4 | 8 | 97 | 147 |
| 10 | 1 | 10 | 134 | 188 |
| 10 | 1 | 11 | 146 | 202 |
| 10 | 1-1/2 | 14 | 173 | 206 |
| 10 | 2 | 16 | 197 | 260 |
| 20 | 1 | 7 | 75 | 110 |
| 20 | 1-1/2 | 9 | 97 | 143 |
| 20 | 2 | 11 | 123 | 175 |
| 20 | 3 | 15 | 195 | 250 |
| 30 | 1 | 5 | 59 | 75 |
| 30 | 1-1/2 | 6 | 71 | 91 |
| 30 | 2 | 7 | 81 | 106 |
| 30 | 3 | 11 | 129 | 167 |

*For total discharge pressure, add this pressure to suction pipe pressure. For example, an HP7C pump taking suction from a 100 psi water service line will produce $130 + 100 = 230$ psi total discharge pressure at 0 GPM flow. If suction pressure drops to 50 psi, discharge pressure will drop to 180 psi.

NOTE: Model numbers that include an "S" (HPS7C, HPS10D, etc) have a stainless steel suction, discharge assembly, and capscrews. Model numbers ending in "3" (HP7C3, HPS10C3, etc) have 3-phase motors. Models numbers ending in "T" have TEFC motors.

INSTALLATION

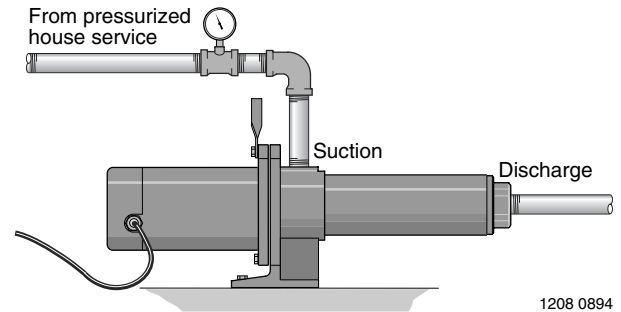
The pump is designed to boost city water pressure or water pressure from a private water system. Use this high pressure stream to wash down milk parlors, barns, garages and driveways, or for fire protection.

The pump is portable with a convenient carrying handle. If an existing pressure water system is to be used as a water supply, it can be connected with available fittings and 3/4" or 1" high pressure hose to the pump inlet. A special heavy duty 3/4" or 1" suction hose with fittings is available as an accessory. If pump is permanently mounted on wall, use a 3/4" or 1" pipe or heavy-duty hose for suction line. 20 GPM models require one-inch discharge hose to reduce friction losses and 30 GPM models require 1-1/4".

⚠ WARNING Hazardous pressure. Pump body may explode if pressures exceed rated limits. Maximum inlet pressure is 80 PSI. Maximum discharge pressure is 315 PSI. Warranty is void if these pressure limits are exceeded.

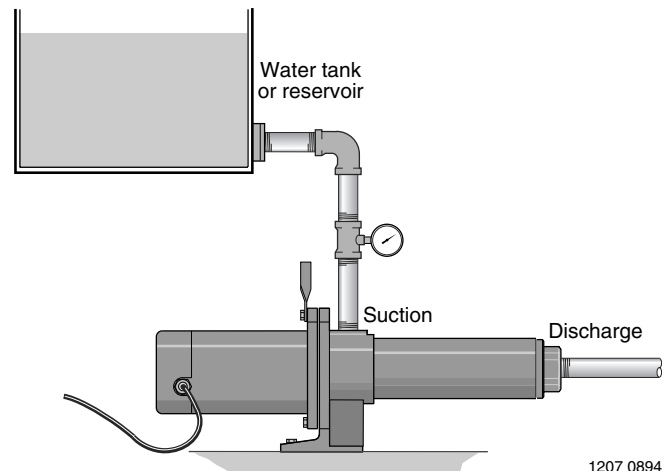
HIGH PRESSURE BOOSTER PUMP INSTALLATION INSTRUCTIONS

These instructions cover high pressure booster pump installations as shown below:



1208 0894

Figure 1 – Connection to house service.



1207 0894

Figure 2 – Connection to water reservoir.

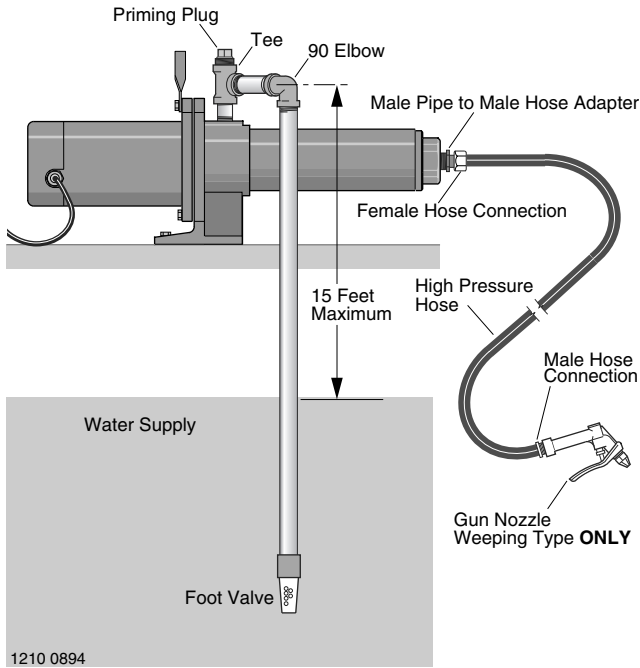


Figure 3 – Cistern or shallow well installation.

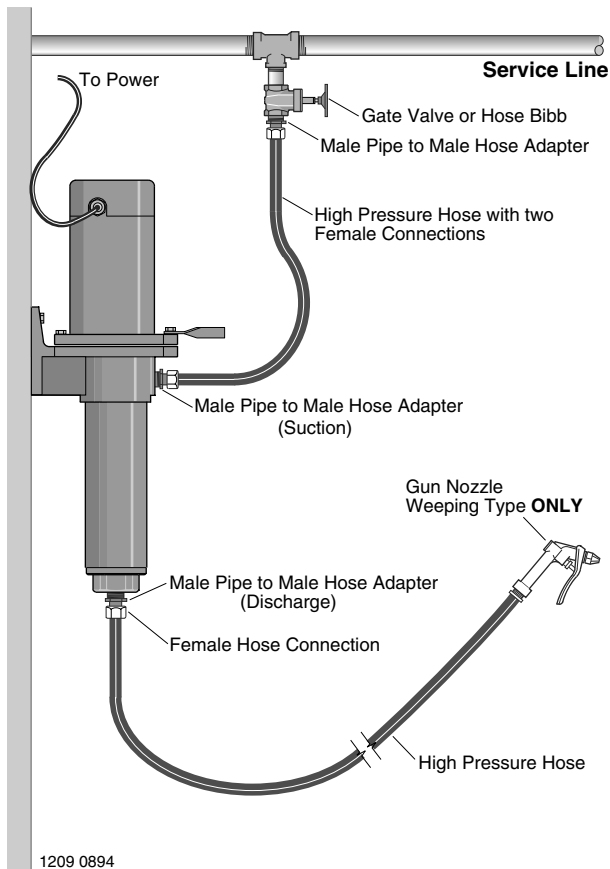


Figure 4 – Wall mounted to pressurized service line.

To reduce friction losses to a minimum, inlet (suction) line should be **short** and have as few elbows as possible.

Size the inlet according to the chart below:

| Ave. GPM | Threaded Inlet Size | Recommended Inlet Line Size | Recommended Discharge Line Size |
|----------|---------------------|-----------------------------|---------------------------------|
| 7 | 3/4" NPT | 1" | 1" |
| 10 | 3/4" NPT | 1" | 1" |
| 20 | 1" NPT | 1-1/4" | 1-1/4" |
| 30 | 1-1/4" NPT | 1-1/2" | 1-1/2" |

An inlet strainer will prevent suspended debris from clogging pump.

The internal running surfaces of the pump and seals require water lubrication for good, consistent operation. **Allowing pump to run dry will severely damage pump and seals.**

Install a pressure gauge in pump inlet line. Keep at least two pounds per square inch pressure (2 PSI) in inlet line whenever pump is operating. If this is not possible, consult customer service representative.

LUBRICATION

It is not necessary to lubricate pump or motor. The motor is equipped with sealed ball bearings, lubricated for the life of the bearing. The mechanical shaft seal in the pump is self-lubricating and requires no adjustment. Disassemble pump to replace seal (See "Maintenance", Pages 8 to 9).

OPERATION

NOTICE: Observe the following precautions when operating the pump:

1. **Keep the motor dry! Do not** direct stream from pump discharge onto the motor!
2. **⚠ WARNING Hazardous pressure. Do not** run the pump with discharge shutoff, as hose may burst or pump may be damaged due to high temperatures.
3. **Do not** use a standard trigger gun with this pump. Use only trigger guns with an automatic weeping feature. These are available as accessories and are provided with three nozzles. The smallest nozzle restricts the flow, allowing use of a smaller water source. The two larger nozzles are used if the water source will supply the pump's full capacity.
4. **Do not** run pump dry; to do so may damage the seal.
5. To avoid internal damage to pump, **Do not** operate with water temperature above 175 degrees F.

⚠ Disconnect power before working on pump, motor, pressure switch, or wiring.

Single Phase, ODP Motor

MOTOR SWITCH SETTINGS

Dual-voltage motors (motors that can operate at either 115 or 230 volts), are set at the factory to 230 volts. Do not change motor voltage setting if line voltage is 230 volts, or if you have a single voltage motor.*

NOTE: Never wire a 115 volt motor to a 230 volt line.

REMOVE MOTOR END COVER

If you have a dual-voltage motor, and will connect it to 115 volts, follow the procedure below.

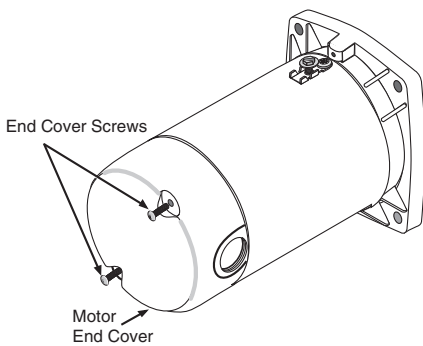


Figure 5 – Removing Motor End Cover

You will need to remove the motor end cover to change the voltage setting.

Your motor terminal board (located under the motor end cover) should look like one of those below.

PLUG TYPE VOLTAGE SELECTOR

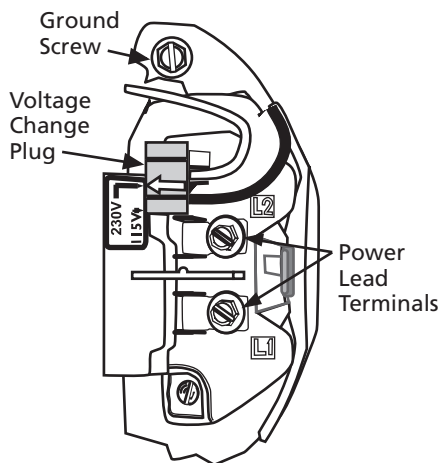


Figure 6 – Voltage set to 230 volts, Plug Type

To change to 115 volts:

1. Make sure power is off.
2. Pull the plug straight up.

**Models with power cords are pre-wired for 115 volts. This includes models HP7D-02 and HP7C-02.*

3. Move and attach the plug at the 115 volt position. The plug will now cover 2 metal tabs. The arrow on the plug will point to 115V.
 4. Attach the power lead wires to the power lead terminals. Make sure the wires are secure.
 5. Attach the ground wire to the green ground screw
 6. Reinstall the Motor end cover
- Go to Wiring Connections below.

DIAL TYPE VOLTAGE SELECTOR

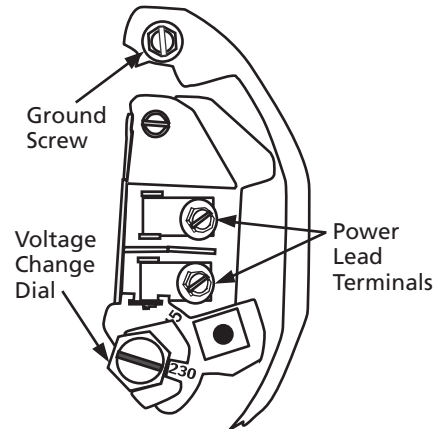









Figure 7 – Voltage set to 230 volts, Dial Type

To change to 115 volts:

1. Make sure power is off.
 2. Turn the dial counter-clockwise until 115 shows in the dial window.
 3. Attach the power lead wires to the power lead terminals. Make sure the wires are secure.
 4. Attach the ground wire to the green ground screw
 5. Reinstall the Motor end cover
- Go to Wiring Connections below.

ELECTRICAL

-  **Ground motor before connecting to electrical power supply.**
-  **Failure to ground motor can cause severe or fatal electrical shock hazard.**
-  **Explosion hazard. Do not ground to a gas supply line.**
-  **To avoid dangerous or fatal electrical shock, turn OFF power to motor before working on electrical connections.**
-  **Supply voltage must be within $\pm 10\%$ of nameplate voltage. Incorrect voltage can cause fire or serious damage to motor and voids warranty. If in doubt consult a licensed electrician.**
-  **Use wire size specified in Wiring Chart (Table II, Page 7). If possible, connect pump to a separate branch circuit with no other appliances on it.**
-  **Wire motor according to diagram on motor nameplate. If nameplate diagram differs from diagrams above, follow nameplate diagram.**

For All 3-phase and TEFC Motors: Follow the wiring diagram on the motor junction box or on the motor nameplate.

WIRING CONNECTIONS

1. Install, ground, wire and maintain this pump in compliance with the National Electrical Code (NEC) or the Canadian Electrical Code (CEC) and with all local codes and ordinances that apply. Consult your local building inspector for local information.
2. Make sure that the voltage, frequency and phase (single phase or three phase) of the power supply agree with that stamped on the motor nameplate. If in doubt, check with the power company.
3. Some models are equipped with three phase motors. Three phase motors require magnetic starters and can run in either direction, depending on how they are connected to the power supply.

NOTICE: Dual voltage motors without cords are factory wired for 230 volts. If necessary, reconnect the motor for 115 volts, as shown. All cord connected motors are wired for 115 volts (See Page 5). Do not alter the wiring in single voltage motors.

Install, ground, wire, and maintain your pump in compliance with the National Electrical Code (NEC) or the Canadian Electrical Code (CEC), as applicable, and with all local codes and ordinances that apply. Consult your local building inspector for code information.

NOTICE: Clamp the power cable to prevent strain on the terminal screws.

NOTICE: Your Motor Terminal Board (under the motor end cover) looks like one of those shown above. Do not change motor wiring if line voltage is 230 volts. Connect power supply as shown for your supply voltage.

NOTICE: Some models are equipped with three phase motors. Three phase motors require magnetic starters and can run in either direction, depending on how they are connected to the power supply.

To Check For Proper Rotation – 3 Phase Motors

▲WARNING Risk of electrical shock.

1. Be sure power is disconnected to motor when working on electrical connections.
2. Remove the motor end cover, exposing motor shaft. Momentarily start pump. If hookup is correct, the shaft will rotate clockwise.
3. If rotation is not clockwise, reverse any two leads to the starter. The rotation will now be correct.

GROUNDING THE MOTOR

Ground the pump permanently using a wire of size and type specified by local or National Electrical Code.

Models (HP7C and HP7D Series Only) with factory installed cord and plug:

▲WARNING Risk of electric shock. This equipment is only for use on 115V and is equipped with an approved 3-conductor cord and 3-prong, grounding-type plug. To reduce the risk of electric shock, be certain that it is connected to a properly grounded, grounding-type receptacle. Do not modify or remove plug. Make sure pump circuit meets National Electrical Code. To avoid dangerous electrical shock hazard, keep cord dry at all times.

Models without cord and plug:

1. Connect ground wire first. Connect the ground first, then to green grounding terminal provided under motor canopy (see Figures 6 and 7) identified as GRD. Make ground connection to this terminal. **Do not** connect motor to electrical power supply until unit is permanently grounded; otherwise serious or fatal electrical shock hazard may be caused.
2. For best ground connection, connect to a grounded lead in the service panel or to a metal underground water pipe or well casing at least 10 ft. long. If plastic pipe or insulated fittings are used, run ground wire directly to the metal well casing or use ground electrode furnished by the power company.

TABLE II - RECOMMENDED FUSING AND WIRING

| Motor Type | Motor H.P. | Volts/Phase | Max. Load Amps | Branch Fuse Rating Amps | Wire Length | | |
|------------|------------|---------------|----------------|-------------------------|---------------|----------|----------|
| | | | | | 0'-100' | 101-200' | 201-300' |
| | | | | | AWG Wire Size | | |
| ODP | 1/2 | 115/230/1 | 12.4/ 6.2 | 20/15 | 12/14 | 10/14 | 8/14 |
| ODP | 1/2 | 230/460/3 | 3.1/1.55 | 15/15 | 14/14 | 14/14 | 14/14 |
| ODP | 3/4 | 115/230/1 | 14.8/7.4 | 20/15 | 12/14 | 8/14 | 6/14 |
| ODP | 3/4 | 230/460/3 | 3.6/1.8 | 15/15 | 14/14 | 14/14 | 14/14 |
| ODP | 1 | 115/230/1 | 19.2/9.6 | 25/15 | 10/14 | 8/14 | 6/12 |
| ODP | 1 | 230/460/3 | 4.7/2.35 | 15/15 | 14/14 | 14/14 | 14/14 |
| ODP | 1-1/2 | 115/230/1 | 24/12 | 30/15 | 10/14 | 6/12 | 6/12 |
| ODP | 1-1/2 | 230/1 | 12.0 | 15 | 14 | 14 | 12 |
| ODP | 1-1/2 | 230/460/3 | 6.8/3.4 | 15/15 | 14/14 | 14/14 | 14/14 |
| ODP | 2 | 115/230/1 | 26/13 | 35/20 | 8/12 | 6/12 | 4/10 |
| ODP | 2 | 230/1 | 10.4 | 15 | 14 | 14 | 14 |
| ODP | 2 | 230/460/3 | 6.0/3.0 | 15/15 | 14/14 | 14/14 | 14/14 |
| ODP | 3 | 208-230/1 | 15.0 | 20 | 12 | 12 | 10 |
| ODP | 3 | 200-230/460/3 | 11.5/5.8 | 15/15 | 14/14 | 14/14 | 12/14 |
| TEFC | 1 | 115/230/1 | 18/9 | 25/15 | 10/14 | 8/14 | 8/12 |
| TEFC | 1 | 208-230/460/3 | 4.8/2.4 | 15/15 | 14/14 | 14/14 | 14/14 |
| TEFC | 1-1/2 | 230/1 | 10.4 | 15 | 14 | 14 | 12 |
| TEFC | 1-1/2 | 208-230/460/3 | 6.0/3.0 | 15/15 | 14/14 | 14/14 | 14/14 |
| TEFC | 2 | 230/1 | 11.7 | 15 | 14 | 10 | 8 |
| TEFC | 2 | 208-230/460/3 | 7.0/3.5 | 15/15 | 14/14 | 14/14 | 14/14 |
| TEFC | 3 | 230/1 | | | | | |
| TEFC | 3 | 208-230/460/3 | 7.0/3.5 | 15/15 | 14/14 | 14/14 | 14/14 |

MAINTENANCE

Pump Disassembly

⚠ WARNING Hazardous voltage. Can shock, burn or cause death. Disconnect power to pump before servicing.

Tools required:

1. 7/16" open end wrench (2 required).
2. Flat blade screwdriver with insulated handle.
3. Work bench with vise recommended.
4. Pliers or similar tool.
5. Pipe wrench.

Impeller Stack Changeout (See Figure 8)

Remove pump from service and mount vertically in vise (if available) motor side down. Hold at center of motor. It may be desirable to wrap motor with a shop rag to protect outside surface.

Proceed as follows:

1. Attach pipe wrench to flats on discharge connection and turn clockwise to remove (left hand threads).
2. Remove screws holding motor canopy and remove canopy. Pull straight off as shown. Leave switch wires attached (if present).

⚠ WARNING Capacitor voltage may be hazardous. To discharge capacitor, hold insulated handle

screwdriver **by the handle** and short capacitor terminals together. Do not touch metal screwdriver blade or capacitor terminals.

3. Unscrew the overload and move it aside. Do not disconnect wires. Slide 7/16" open end wrench in behind spring loaded centrifugal switch as shown. Place on motor shaft flats to hold shaft stationary.
4. With one 7/16" wrench in place on motor shaft, place second wrench on shaft hex at pump end and unscrew impeller stack by turning counter-clockwise.
5. Once loose from motor shaft, hold shaft by snap ring using a pliers or similar tool, and pull stack from shell. You may have to apply a back and forth motion to break stack loose from shell.

To assemble with replacement impeller stack, keep pump in the vertical position, motor down, and reverse instructions 1 through 5.

Assembly hints:

- A. Apply a soapy water solution to suction and discharge O-Rings to ease seating of shell.
- B. Make sure mechanical shaft seal spring is in proper position on motor shaft.
- C. On three-phase models, apply Loctite No. 271 to motor shaft threads before reinstalling stack.

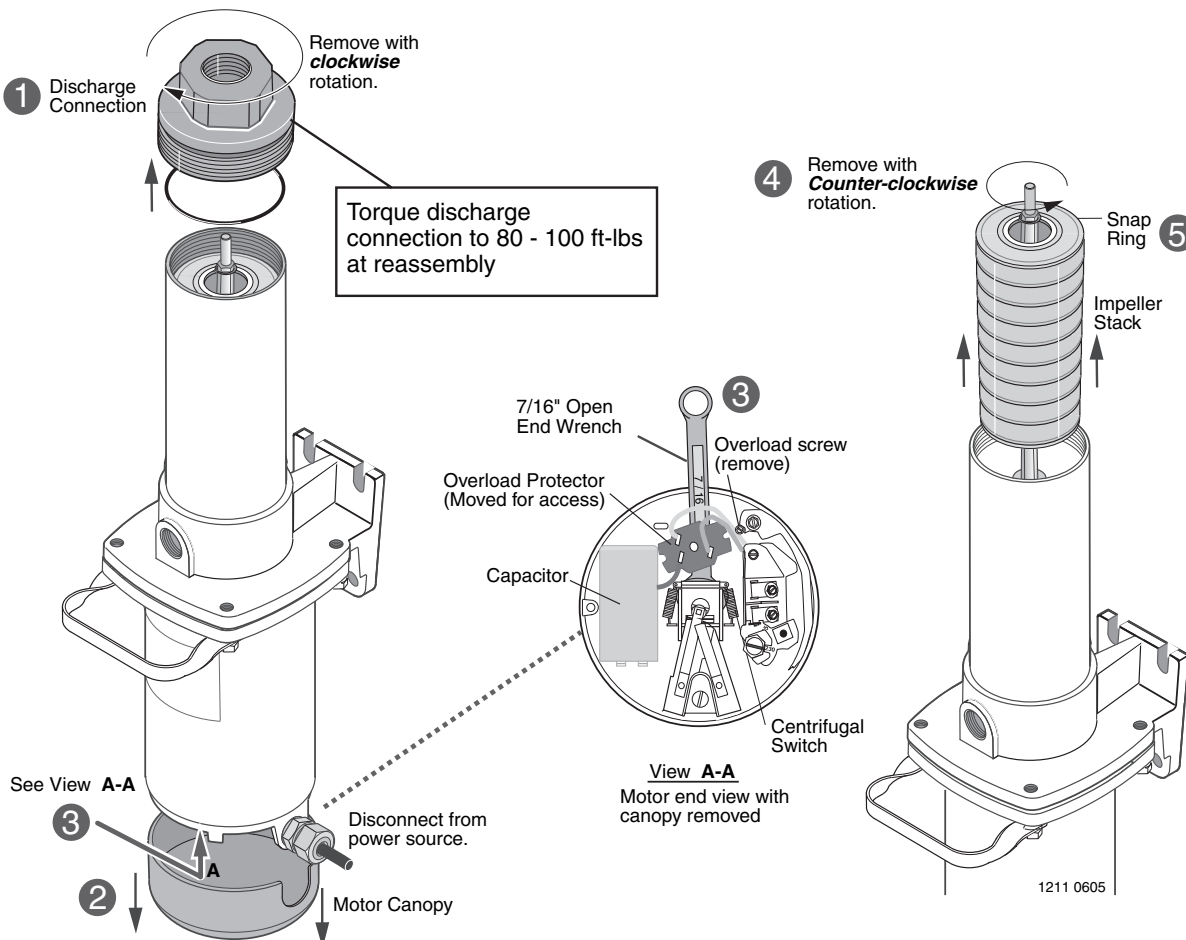


Figure 8 – Impeller stack changeout.

Mechanical Seal Changeout

(refer to Figures 8 and 9)

This procedure is best completed with the pump held in a vertical position, motor down.

First complete “Disassembly” instructions 1 through 5 under “Impeller Stack Changeout.” (see Figure 8).

6. Remove 4 capscrews holding pump body to motor. Pump handle will come off with top capscrews.
7. Unscrew pump shell from pump body, turning clockwise (left hand threads).
8. Remove mechanical shaft seal spring and rotating half from motor shaft. Use care not to scratch motor shaft when removing rotating half.
9. Remove pump body from motor and place on flat surface, face down. Again, use care not to scratch motor shaft.
10. Use a screwdriver to push ceramic seat out from seal cavity as shown.
11. Installation of ceramic seat:
 - A. Turn pump body over so seal cavity is up; clean cavity thoroughly.
 - B. Clean polished surface of ceramic seat with a clean cloth.
 - C. Lubricate outside rubber surface of seat with soapy water. Place cardboard washer over

polished face of seat and press into seal cavity using a 3/4" socket or a piece of 3/4" standard pipe.

- D. Be sure polished surface of seat is free of dirt and has not been damaged by insertion. Remove excess soapy water. Dispose of cardboard washer.
12. Installation of rotating half and spring:
 - A. Reinstall pump body on motor using extreme caution not to hit ceramic portion of seal on motor shaft. Reattach pump body to motor using capscrews. Be sure to reinstall pump handle at this time.
 - B. Inspect shaft to make sure that it is clean.
 - C. Clean face of rotating half of seal with a clean cloth.
 - D. Lubricate inside diameter of rotating half with soapy water and slide onto motor shaft (sealing face first).
 - E. Place spring over motor shaft so it rests on rotating half.
 13. To complete reassembly from this point, reverse instructions 1 through 5 under “Impeller Stack Changeout.”

NOTICE: Lubricate suction and discharge O-Rings with soapy water for easier installation of shell.

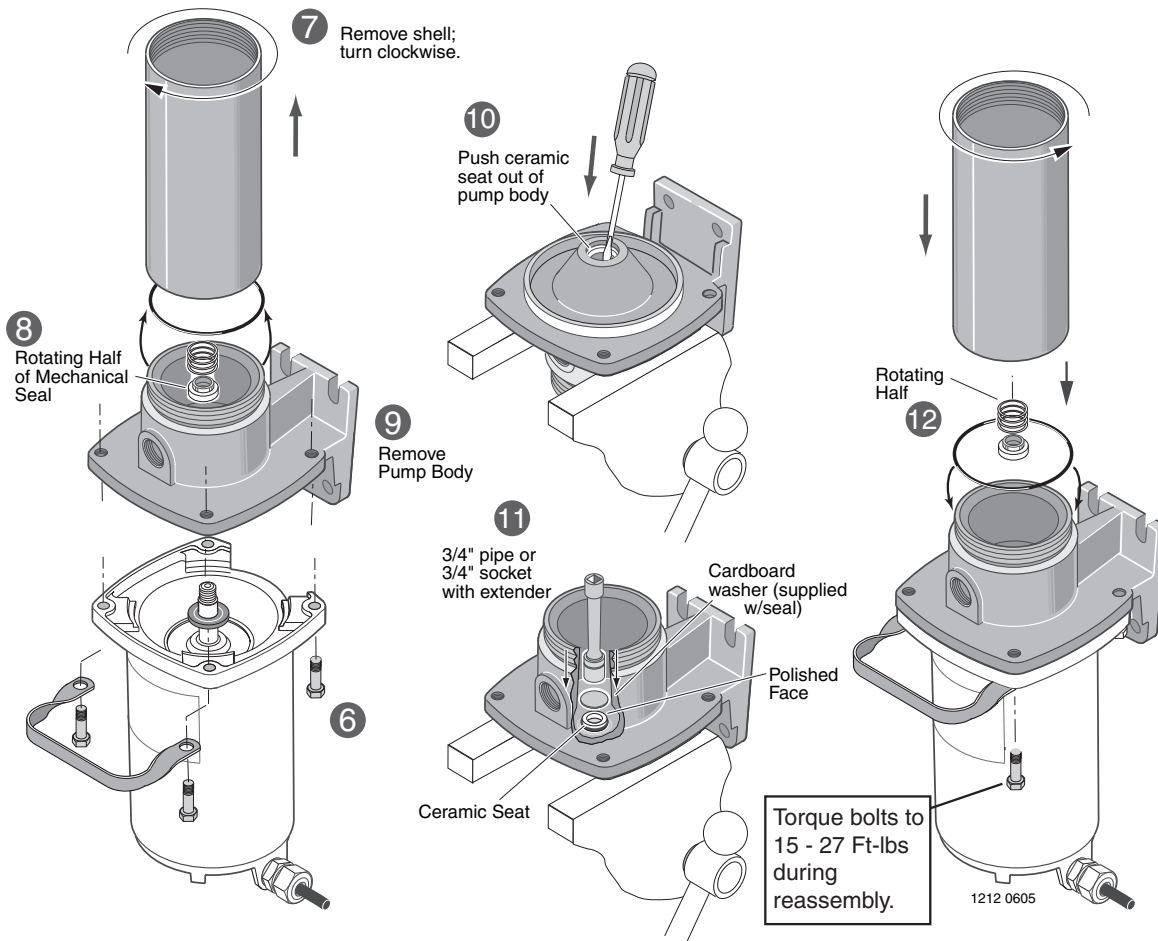
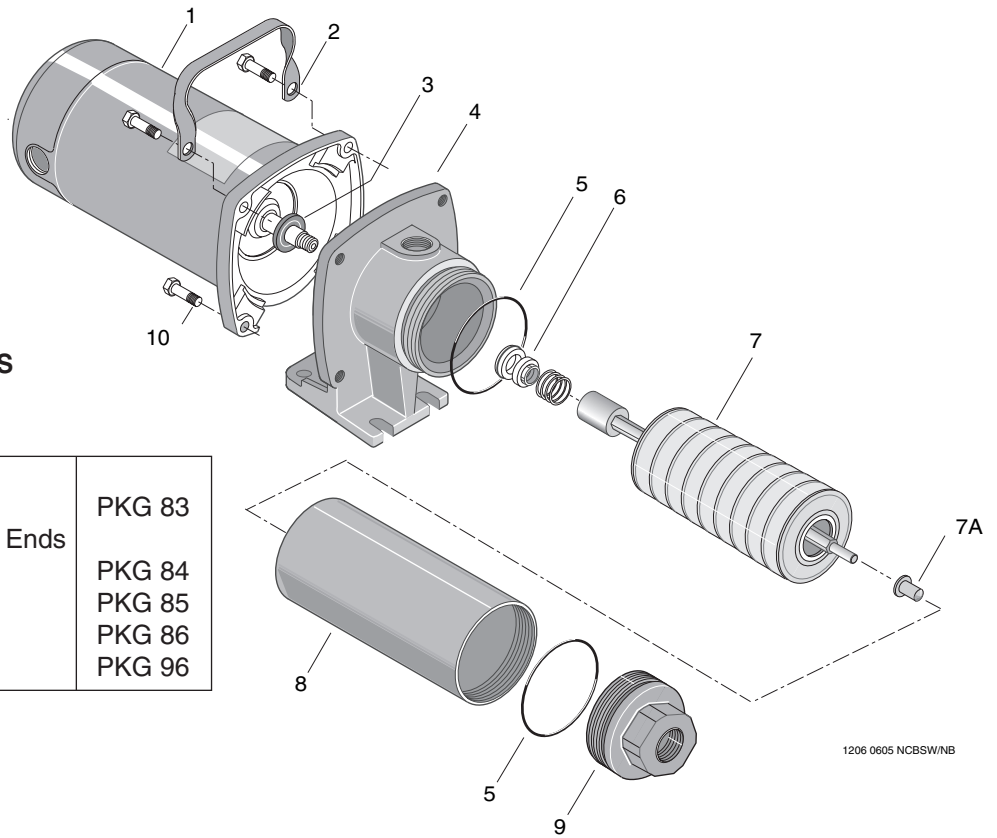


Figure 9 – Mechanical seal changeout.



**THE FOLLOWING ACCESSORIES
MAY BE ORDERED FOR HIGH
PRESSURE BOOSTER PUMPS**

| | |
|--|--------|
| Hose 6'-3/4" w/Female Ends (150 PSI Rating) | PKG 83 |
| Hose 25'-3/4" w/Male & Female Ends (150 PSI Rating) | PKG 84 |
| Adapter 3/4" NPT x 3/4" Hose | PKG 85 |
| Nozzle - High Pressure | PKG 86 |
| Suction Vacuum Relief Valve | PKG 96 |

Figure 9 – Exploded view.

REPAIR PARTS LIST

| Key No. | Description | Qty. | HP7C-02 HP7C3-02 HP10C-02 HP10C3-02 1/2 HP | HP7D-02 HP7D3-02 HP10D-02 HP10D3-02 3/4 HP | HP7E-02 HP7E3-02 HP10E-02 HP10E3-02 HP10E311-02 1 HP | HP10F-02 HP10F3-02 1-1/2 HP | SHP10G3-02 HP10G-02 HP10G3-02 2 HP |
|---------|---|------|--|--|---|-----------------------------------|---|
| 1 | Motor - 115/230 Volt, 1 Phase | 1 | J218-590PKG | J218-596PKG | J218-601PKG | J218-883APKG | J218-628APKG |
| 1 | Motor - 230/460 Volt, 3 Phase | 1 | AP100CH | AP100DL2 | AP100EH | AP100FH | AP100GH |
| 2 | Handle (†) | 1 | C54-21 | C54-21 | C54-21 | — | — |
| 3 | Water Slinger | 1 | 17351-0009 | 17351-0009 | 17351-0009 | 17351-0009 | 17351-0009 |
| 4 | Pump Body | 1 | C2-85 | C2-85 | C2-85 | C2-85 | C2-85 |
| 5 | O-Ring | 2 | U9-430 | U9-430 | U9-430 | U9-430 | U9-430 |
| 6 | Shaft Seal Assembly | 1 | U109-118 | U109-118 | U109-118 | U109-118 | U109-118 |
| 7 | Pump Stack (7 GPM Pump) | 1 | P325-422 | P325-423 | P325-424 | — | — |
| 7 | Pump Stack (10 GPM Pump)†† | 1 | P325-425 | P325-426 | P325-439 | P325-428 | P325-429 |
| 7A | Nylatron Bearing (included with Key No. 9) | 1 | W31112 | W31112 | W31112 | W31112 | W31112 |
| 8 | Pump Shell (7 GPM Pump) | 1 | P56-430SSL | P56-431SSL | P56-432SSL | — | — |
| 8 | Pump Shell (10 GPM Pump)††† | 1 | P56-460SSL | P56-461SSL | P56-469SSL | P56-452SSL | P56-432SSL |
| 9 | Discharge Assembly | 1 | C152-3 | C152-3 | C152-3 | C152-3 | C152-4 |
| 10 | Capscrew - 3/8 x 16 x 1-1/2" | 4 | U30-982ZP | U30-982ZP | U30-982ZP | U30-982ZP | U30-982ZP |
| # | Cord Connector** | 1 | U71-7 | U71-7 | — | — | — |
| # | Cord** | 1 | U17-402 | U17-1238 | — | — | — |

Not Illustrated.

** Included with Model Numbers HP7C-01 and the HP7D Series Model Numbers.

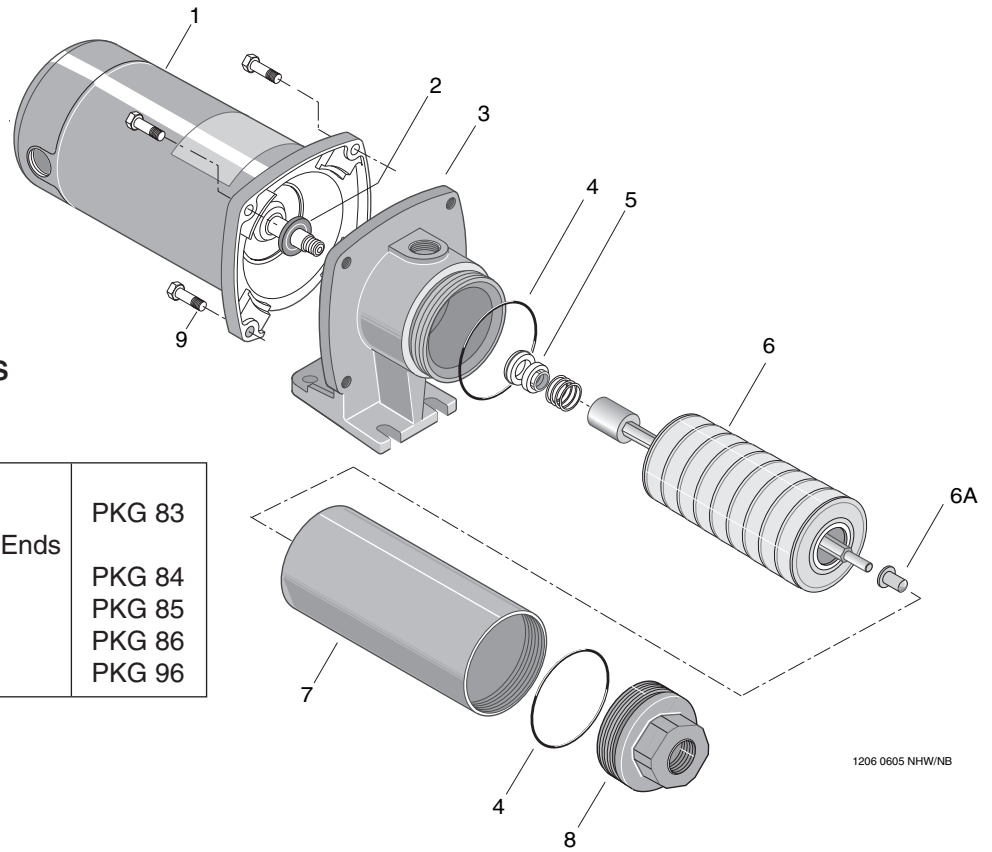
† Handle comes with HP7 series and HP10E series.

†† Model HP10E311-02 uses Part Number P325-362.

††† Model HP10E311-02 uses Part Number P56-404SSL.

**THE FOLLOWING ACCESSORIES
MAY BE ORDERED FOR HIGH
PRESSURE BOOSTER PUMPS**

| | |
|--|--------|
| Hose 6'-3/4" w/Female Ends (150 PSI Rating) | PKG 83 |
| Hose 25'-3/4" w/Male & Female Ends (150 PSI Rating) | PKG 84 |
| Adapter 3/4" NPT x 3/4" Hose | PKG 85 |
| Nozzle - High Pressure | PKG 86 |
| Suction Vacuum Relief Valve | PKG 96 |

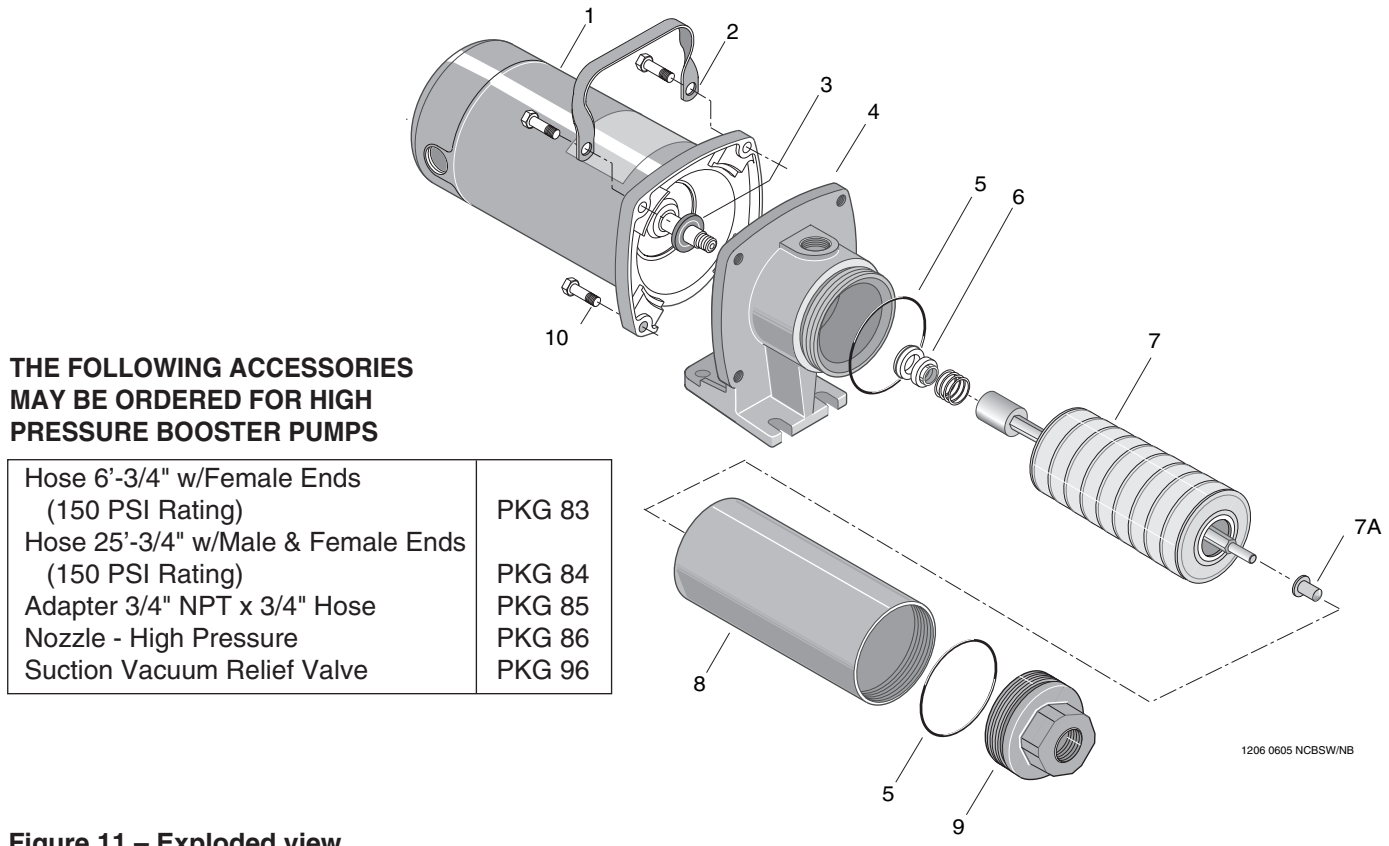


1206 0605 NHW/NB

Figure 10 – Exploded view.

REPAIR PARTS LIST

| Key No. | Description | Qty. | HPS7C-01 | HPS7D-01 | HPS7E-01 | HPS10F-01 | HPS10G-01 |
|---------|---|------|-------------|-------------|-------------|--------------|--------------|
| | | | HPS7C3-01 | HPS7D3-01 | HPS7E3-01 | | |
| | | | HPS10C-01 | HPS10D-01 | HPS10E-01 | HPS10F3-01 | HPS10G3-01 |
| | | | HPS10C3-01 | HPS10D3-01 | HPS10E3-01 | | |
| | | | 1/2 HP | 3/4 HP | 1HP | 1-1/2 HP | 2 HP |
| 1 | Motor - 115/230 Volt, 1 Phase | 1 | J218-590PKG | J218-596PKG | J218-601PKG | J218-883APKG | J218-628APKG |
| 1 | Motor - 230/460, 3 Phase | 1 | AP100CH | AP100DL2 | AP100EH | AP100FH | AP100GH |
| 2 | Water Slinger | 1 | 17351-0009 | 17351-0009 | 17351-0009 | 17351-0009 | 17351-0009 |
| 3 | Pump Body | 1 | C2-86SS | C2-86SS | C2-86SS | C2-86SS | C2-86SS |
| 4 | O-Ring | 2 | U9-430 | U9-430 | U9-430 | U9-430 | U9-430 |
| 5 | Shaft Seal Assembly | 1 | U109-118 | U109-118 | U109-118 | U109-118 | U109-118 |
| 6 | Pump Stack (7 GPM) | 1 | P325-422R | P325-423R | P325-424R | - | - |
| 6 | Pump Stack (10 GPM) | 1 | P325-425R | P325-426R | P325-439R | P325-428R | P325-429R |
| 6A | Nylatron Bearing (included with Key No. 9) | 1 | W31112 | W31112 | W31112 | W31112 | W31112 |
| 7 | Pump Shell (7GPM) | 1 | P56-430SSL | P56-431SSL | P56-432SSL | - | - |
| 7 | Pump Shell (10GPM) | 1 | P56-460SSL | P56-461SSL | P56-469SSL | P56-452SSL | P56-432SSL |
| 8 | Discharge Assembly | 1 | C152-4 | C152-4 | C152-4 | C152-4 | C152-4 |
| 9 | Capscrew 3/8 x 16 x 1-1/2", S.S. | 4 | S25983 | S25983 | S25983 | S25983 | S25983 |



**THE FOLLOWING ACCESSORIES
MAY BE ORDERED FOR HIGH
PRESSURE BOOSTER PUMPS**

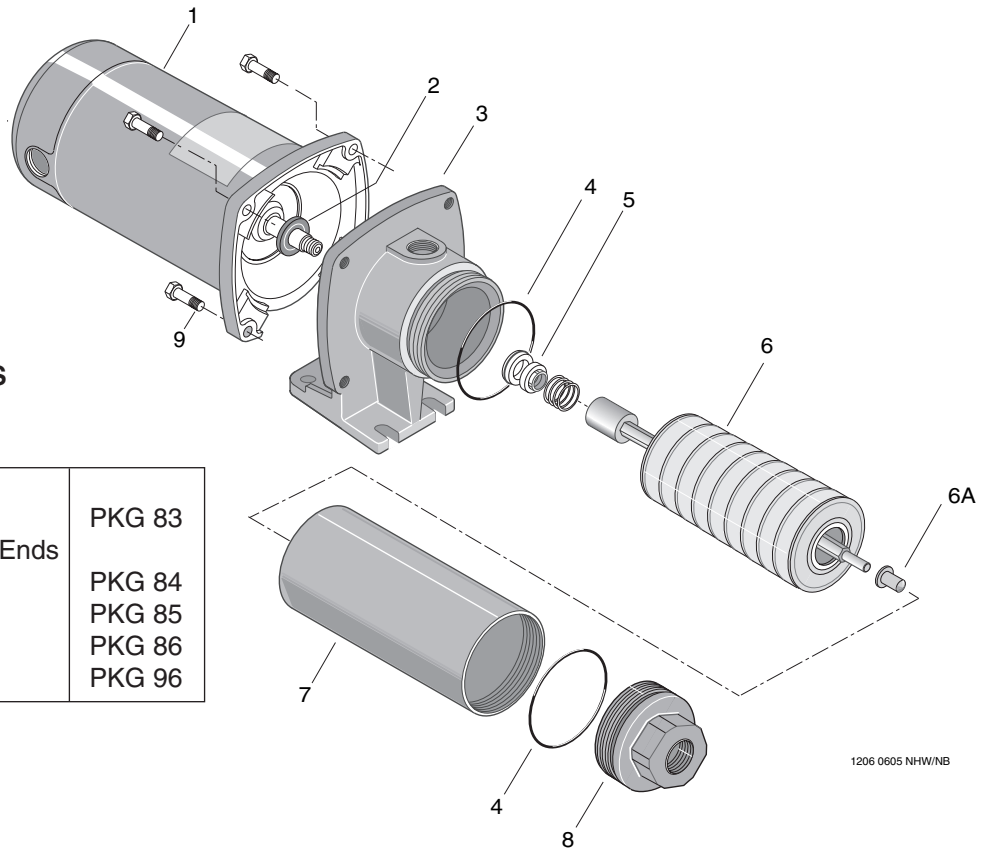
| | |
|--|--------|
| Hose 6'-3/4" w/Female Ends (150 PSI Rating) | PKG 83 |
| Hose 25'-3/4" w/Male & Female Ends (150 PSI Rating) | PKG 84 |
| Adapter 3/4" NPT x 3/4" Hose | PKG 85 |
| Nozzle - High Pressure | PKG 86 |
| Suction Vacuum Relief Valve | PKG 96 |

1206 0605 NCBSW/NB

Figure 11 – Exploded view.

REPAIR PARTS LIST

| Key No. | Description | Qty. | HP20E-02 HP20E3-02 1 HP | HP20F-02 HP20F3-02 1-1/2 HP | HP20G-02 HP20G3-02 2 HP | HP20H-01 HP20H3-01 HP20HT-02 HP20H3T-02 3 HP |
|---------|---|------|-------------------------------|-----------------------------------|-------------------------------|--|
| 1 | Motor - 115/230 Volt, 1 Phase | 1 | J218-601PKG | J218-883APKG | J218-628APKG | – |
| 1 | Motor - 230 Volt, 1 Phase | 1 | – | – | A100GSL | AE100HLL |
| 1 | Motor - 230/460 Volt, 3 Phase | 1 | AP100EH | AP100FH | AP100GH | AP100HL |
| 1 | Motor - 230 Volt, 1 Phase, TEFC | 1 | – | – | – | J218-1035 |
| 1 | Motor - 208-230/460 Volt, 3 Phase, TEFC | 1 | – | – | – | J218-1036 |
| 2 | Handle | 1 | C54-21 | C54-21 | C54-21 | C54-21 |
| 3 | Water Slinger | 1 | 17351-0009 | 17351-0009 | 17351-0009 | 17351-0009 |
| 4 | Pump Body | 1 | C2-85A | C2-85A | C2-85A | C2-85A |
| 5 | O-Ring | 2 | U9-430 | U9-430 | U9-430 | U9-430 |
| 6 | Shaft Seal Assembly | 1 | U109-118 | U109-118 | U109-118 | U109-118 |
| 7 | Pump Stack | 1 | P325-602R | P325-431R | P325-432R | P325-718R |
| 7A | Nylatron Bearing (included with Key No. 9) | 1 | W31112 | W31112 | W31112 | W31112 |
| 8 | Pump Shell | 1 | P56-433SSL | P56-434SSL | P56-452SSL | P56-620SSL |
| 9 | Discharge Assembly | 1 | C152-3A | C152-3A | C152-3A | C152-3A |
| 10 | Capscrew - 3/8 x 16 x 1-1/2" | 4 | U30-982ZP | U30-982ZP | U30-982ZP | U30-982ZP |



**THE FOLLOWING ACCESSORIES
MAY BE ORDERED FOR HIGH
PRESSURE BOOSTER PUMPS**

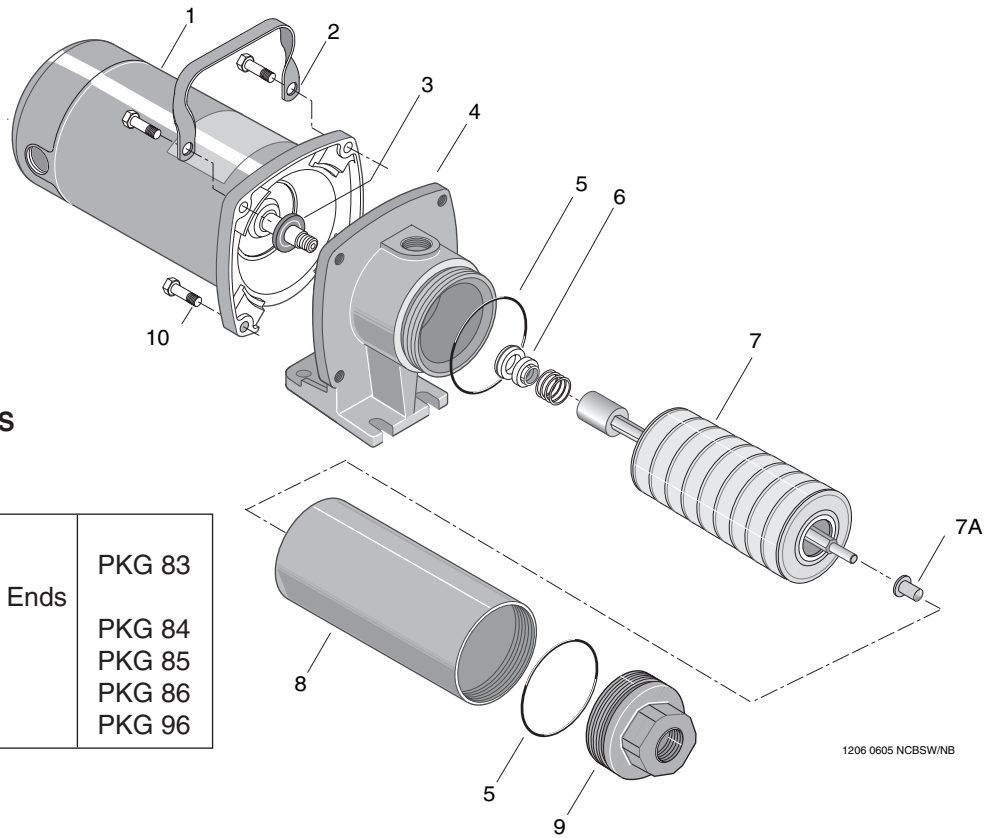
| | |
|--|--------|
| Hose 6'-3/4" w/Female Ends (150 PSI Rating) | PKG 83 |
| Hose 25'-3/4" w/Male & Female Ends (150 PSI Rating) | PKG 84 |
| Adapter 3/4" NPT x 3/4" Hose | PKG 85 |
| Nozzle - High Pressure | PKG 86 |
| Suction Vacuum Relief Valve | PKG 96 |

1206 0605 NHW/NB

Figure 12 – Exploded view.

REPAIR PARTS LIST

| Key No. | Description | Qty. | HPS20E-01 HPS20E3-01 1HP | HPS20F-01 HPS20F3-01 1-1/2 HP | HPS20G-01 HPS20G3-01 2 HP | HPS20H-01 HPS20H3-0 HPS20HT-01 HPS20H3T-01 3 HP |
|---------|---|------|--------------------------------|-------------------------------------|---------------------------------|---|
| 1 | Motor - 115/230 Volt, 1 Phase | 1 | J218-601PKG | J218-883APKG | J218-628APKG | — |
| 1 | Motor - 230 Volt, 1 Phase | 1 | — | — | A100GSL | AE100HLL |
| 1 | Motor - 230/460 Volt, 3 Phase | 1 | AP100EL2 | AP100FH | AP100GH | AP100HL |
| 1 | Motor - 230 Volt, 1 Phase, TEFC | 1 | — | — | — | J218-1035 |
| 1 | Motor - 208-230/460 Volt, 3 Phase, TEFC | 1 | — | — | — | J218-1036 |
| 2 | Water Slinger | 1 | 17351-0009 | 17351-0009 | 17351-0009 | 17351-0009 |
| 3 | Pump Body | 1 | C2-86SSA | C2-86SSA | C2-86SSA | C2-86SSA |
| 4 | O-Ring | 2 | U9-430 | U9-430 | U9-430 | U9-430 |
| 5 | Shaft Seal Assembly | 1 | U109-118 | U109-118 | U109-118 | U109-118 |
| 6 | Pump Stack | 1 | P325-440R | P325-431R | P325-432R | P325-718R |
| 6A | Nylatron Bearing (included with Key No. 8) | 1 | W31112 | W31112 | W31112 | W31112 |
| 7 | Pump Shell | 1 | P56-470SSL | P56-434SSL | P56-452SSL | P56-620SSL |
| 8 | Discharge Assembly | 1 | C152-4A | C152-4A | C152-4A | C152-4A |
| 9 | Capscrew 3/8 x 16 x 1-1/2" | 4 | S25983 | S25983 | S25983 | S25983 |



**THE FOLLOWING ACCESSORIES
MAY BE ORDERED FOR HIGH
PRESSURE BOOSTER PUMPS**

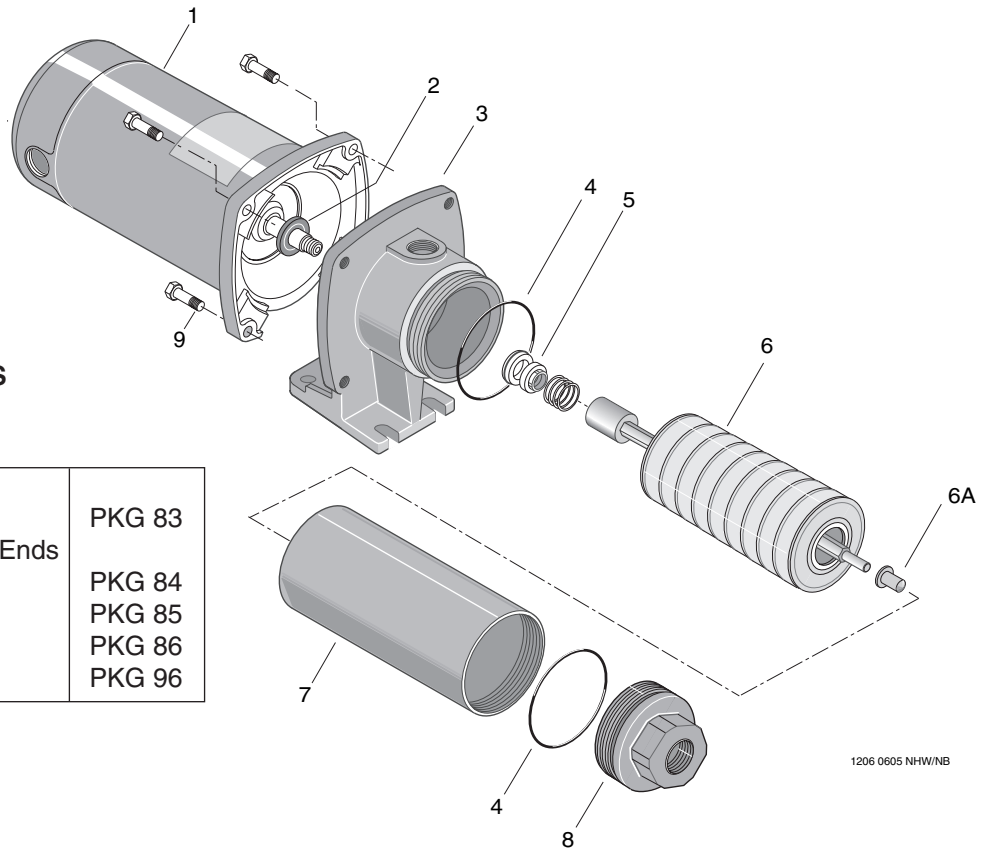
| | |
|--|--------|
| Hose 6'-3/4" w/Female Ends (150 PSI Rating) | PKG 83 |
| Hose 25'-3/4" w/Male & Female Ends (150 PSI Rating) | PKG 84 |
| Adapter 3/4" NPT x 3/4" Hose | PKG 85 |
| Nozzle - High Pressure | PKG 86 |
| Suction Vacuum Relief Valve | PKG 96 |

1206 0605 NCBSW/NB

Figure 13 – Exploded view.

REPAIR PARTS LIST

| Key No. | Description | Qty. | HP30E-02 HP30E3-02 HP30ET-02 HP30E3T-02 1 HP | HP30F-02 HP30F3-02 HP30FT-02 HP30F3T-02 1-1/2 HP | HP30G-02 HP30G3-02 HP30GT-02 HP30G3T-02 2 HP | HP30H-02 HP30H3-02 HP30HT-02 HP30H3T-02 3 HP |
|---------|---|------|--|--|--|--|
| 1 | Motor - 115/230 Volt, 1 Phase | 1 | J218-601PKG | J218-883APKG | J218-628APKG | — |
| 1 | Motor - 230 Volt, 1 Phase | 1 | — | — | A100GSL | AE100HLL |
| 1 | Motor - 230/460 Volt, 3 Phase | 1 | AP100EH | AP100FH | AP100GH | AP100HL |
| 1 | Motor - 230 Volt, 1 Phase, TEFC | 1 | A100FL-T | AE100GL-T | AE100G5L-T | J218-1035 |
| 1 | Motor - 208-230/460 Volt, 3 Phase, TEFC | 1 | AP100FL-T | AP100GL-T | AP100G5L-T | J218-1036 |
| 2 | Handle | 1 | C54-21 | C54-21 | C54-21 | C54-21 |
| 3 | Water Slinger | 1 | 17351-0009 | 17351-0009 | 17351-0009 | 17351-0009 |
| 4 | Pump Body | 1 | C2-85B | C2-85B | C2-85B | C2-85B |
| 5 | O-Ring | 2 | U9-430 | U9-430 | U9-430 | U9-430 |
| 6 | Shaft Seal Assembly | 1 | U109-118 | U109-118 | U109-118 | U109-118 |
| 7 | Pump Stack | 1 | P325-719R | P325-720R | P325-721R | P325-722 |
| 7A | Nylatron Bearing (included with Key No. 9) | 1 | W31112 | W31112 | W31112 | W31112 |
| 8 | Pump Shell | 1 | P56-621SSL | P56-622SSL | P56-434SSL | P56-615SSL |
| 9 | Discharge Assembly | 1 | C152-3B | C152-3B | C152-3B | C152-3B |
| 10 | Capscrew - 3/8 x 16 x 1-1/2" | 4 | U30-982ZP | U30-982ZP | U30-982ZP | U30-982ZP |



**THE FOLLOWING ACCESSORIES
MAY BE ORDERED FOR HIGH
PRESSURE BOOSTER PUMPS**

| | |
|--|--------|
| Hose 6'-3/4" w/Female Ends (150 PSI Rating) | PKG 83 |
| Hose 25'-3/4" w/Male & Female Ends (150 PSI Rating) | PKG 84 |
| Adapter 3/4" NPT x 3/4" Hose | PKG 85 |
| Nozzle - High Pressure | PKG 86 |
| Suction Vacuum Relief Valve | PKG 96 |

1206 0605 NHW/NB

Figure 14 – Exploded view.

REPAIR PARTS LIST

| Key No. | Description | Qty. | HPS30E-01 HPS30E3-0 HPS30ET-01 HPS30E3T-01 1HP | HPS30F-01 HPS30F3-01 HPS30FT-01 HPS30F3T-01 1-1/2 HP | HPS30G-01 HPS30G3-01 HPS30GT-01 HPS30G3T-01 2 HP | HPS30H-01 HPS30H3-01 HPS30HT-01 HPS30H3T-01 3 HP |
|---------|---|------|--|--|--|--|
| 1 | Motor - 115/230 Volt, 1 Phase | 1 | J218-601PKG | J218-883APKG | J218-628APKG | - |
| 1 | Motor - 230 Volt, 1 Phase | 1 | - | - | A100GSL | AE100HLL |
| 1 | Motor - 230/460 Volt, 3 Phase | 1 | AP100EH | AP100FH | AP100GH | AP100H |
| 1 | Motor - 230 Volt, 1 Phase, TEFC | 1 | A100FL-T | AE100GL-T | AE100G5L-T | J218-1035 |
| 1 | Motor - 208230/460 Volt, 3 Phase, TEFC | 1 | AP100FL-T | AP100GL-T | AP100G5L-T | J218-1036 |
| 2 | Water Slinger | 1 | 17351-0009 | 17351-0009 | 17351-0009 | 17351-0009 |
| 3 | Pump Body | 1 | C2-86SSB | C2-86SSB | C2-86SSB | C2-86SSB |
| 4 | O-Ring | 2 | U9-430 | U9-430 | U9-430 | U9-430 |
| 5 | Shaft Seal Assembly | 1 | U109-118 | U109-118 | U109-118 | U109-118 |
| 6 | Pump Stack | 1 | P325-719R | P325-720R | P325-721R | P325-722R |
| 6A | Nylatron Bearing (included with Key No. 9) | 1 | W31112 | W31112 | W31112 | W31112 |
| 7 | Pump Shell | 1 | P56-621SSL | P56-622SSL | P56-434SSL | P56-615SSL |
| 8 | Discharge Assembly | 1 | C152-4B | C152-4B | C152-4B | C152-4B |
| 9 | Capscrew 3/8 x 16 x 1-1/2" | 4 | S25983 | S25983 | S25983 | S25983 |

LIMITED WARRANTY

Sta-Rite Industries, warrants to the original consumer of the products listed below, that they will be free from defects in material and workmanship for the Warranty Period from the date of original installation or manufacture as noted.

| Product | Warranty Period |
|--|---|
| Water Systems Products – jet pumps, small centrifugal pumps, submersible pumps and related accessories | <i>whichever occurs first:</i> 1 year from date of original installation, or 2 years from date of manufacture |
| Hydro-Flow Filters | 1 year from date of purchase |
| Signature 2000® Fibrewound Tanks | 5 years from date of original installation |
| Pro-Source™ Steel Pressure Tanks | 5 years from date of original installation |
| Pro-Source™ Epoxy-Lined Tanks | 3 years from date of original installation |
| Sump/Sewage/Effluent Products | 1 year from date of original installation, or 2 years from date of manufacture |

Our warranty will not apply to any product that has been subject to negligence, misapplication, improper installation or maintenance. In the event a three phase submersible motor is operated with single phase power through a phase converter, or if three-leg ambient compensated, extra-quick trip overload relays of recommended size are not used, our warranty is void.

Buyer's only remedy and Sta-Rite Industries' only duty is to repair or replace defective products (at Sta-Rite Industries' choice). Buyer agrees to pay all labor and shipping charges associated with this warranty and to request warranty service through the installing dealer as soon as a problem is discovered. If warranty service is requested more than 30 days after the Warranty Period has ended, it will not be honored.

STA-RITE INDUSTRIES SHALL NOT BE LIABLE FOR ANY CONSEQUENTIAL, INCIDENTAL, OR CONTINGENT DAMAGES WHATSOEVER.

THE FOREGOING WARRANTIES ARE EXCLUSIVE AND IN LIEU OF ALL OTHER EXPRESS WARRANTIES. IMPLIED WARRANTIES, INCLUDING BUT NOT LIMITED TO THE IMPLIED WARRANTIES OF MERCHANTABILITY AND FITNESS FOR A PARTICULAR PURPOSE, SHALL NOT EXTEND BEYOND THE WARRANTY PERIOD PROVIDED HEREIN.

Certain states do not permit the exclusion or limitation of incidental or consequential damages or the placing of limitations on the duration of an implied warranty, therefore, the limitations or exclusions herein may not apply. This warranty sets forth specific legal rights and obligations, however, additional rights may exist, which may vary from state to state.

Supersedes all previous publications.

Sta-Rite Industries, 293 Wright St., Delavan, WI 53115