

# OWNERS MANUAL

## INSTALLATION AND OPERATING INSTRUCTIONS

U.S. Patent 5,133,639

### 4" SUBMERSIBLE PUMPS

Two and Three Wire

Single and Three Phase

1/2 through 7-1/2 H.P.

60 Hz

Record the following information from the motor and pump nameplates for future reference:

Pump Model No. \_\_\_\_\_

Pump Serial No. \_\_\_\_\_

Motor Model No. \_\_\_\_\_

Motor Serial No. \_\_\_\_\_

H.P. Volts/Hz/Ph \_\_\_\_\_

Rated Amp Draw \_\_\_\_\_

Carefully read and follow all safety instructions in this manual or on pump.

**!** This is the safety-alert. When you see this symbol on your pump or in this manual, look for one of the following signal words and be alert to the potential for personal injury.

**⚠ DANGER** warns about hazards that will cause serious personal injury, death or major property damage if ignored.

**⚠ WARNING** warns about hazards that can cause serious personal injury, death or major property damage if ignored.

**⚠ CAUTION** warns about hazards that will or can cause minor personal injury or property damage if ignored.

The word NOTICE indicates special instructions which are important but not related to hazards.

To avoid serious or fatal personal injury and possible property damage, carefully read and follow the safety instructions.

- ⚠ WARNING** Hazardous pressure. Under certain conditions, submersible pumps can develop extremely high pressure. Install a pressure relief valve capable of passing entire pump flow at 75 PSI (517 kPa) when using an air over water pressure tank. Install a pressure relief valve capable of passing entire pump flow at 100 PSI (690 kPa) when using a pre-charged pressure tank.

**⚠** Do not allow pump, pressure tank, piping, or any other system component containing water to freeze. Freezing may damage system, leading to injury or flooding. Allowing pump or system components to freeze will void warranty.

- ⚠ WARNING** Hazardous voltage. Can shock, burn or cause death. To avoid dangerous or fatal electric shock hazard, use pump only in a water well.

**⚠ WARNING** Risk of dangerous or fatal electrical shock. Do not install this pump in any pond, river, or other open body of water that could be used for swimming or recreation. Do not swim, wade or play in a body of water in which a submersible pump has been installed.

**⚠** Installation must meet United States National Electrical Code, Canadian Electrical Code, and local codes (as applicable) for all wiring.

**⚠** Disconnect electrical power supply before installing or servicing pump.

**⚠** Make sure line voltage and frequency of power supply match motor nameplate voltage and frequency.

- Install pump according to all plumbing, pump and well code requirements.
- Test well water for purity before using well. Call your local health department for testing procedure.

- During installation, keep well covered as much as possible to prevent leaves and foreign matter from falling into well. Foreign objects in well can contaminate the water and cause serious mechanical damage to the pump.
- Pipe joint compound can cause cracking in plastics. Use only teflon tape when sealing joints in plastic pipe or connecting pipe to thermoplastic pumps.

## TABLE OF CONTENTS

Safety Instructions	2
Pre Installation	2
Electrical	2 19
PENTEK XE Series	4 5
PENTEK T Series (Single and 3 Phase)	6 8
Franklin	9 12
Wiring	13 19
Installation	20 21
Initial Startup	21 22
Effluent Applications	22
Connecting to Tank/Water System	22 24
Troubleshooting Guide	25 26
Warranty	27

## PRE-INSTALLATION

Inspect pump and motor for delivery damage. Report any damage immediately to the shipping carrier or to your dealer.

The well driller should thoroughly develop the well (that is, pump out all fine sand and foreign matter) before pump is installed.

Pump performance is based on pumping clear, cold, liquid water.

Warranty is void in the following conditions:

- If pump has pumped excessive sand excessive sand can cause premature wear to pump.
- If water is corrosive.
- If entrained gas or air are present in the water being pumped these can reduce flow and cause cavitation which can damage pump.
- If pump has been operated with discharge valve closed severe internal damage will result.

Install pump at least 15 to 20' (4.5 to 6M) below the lowest water level reached with pump running (lowest draw down water level), and at least 5' (1.5M) above the bottom of the well.

## WIRING/GROUNDING:

**⚠ WARNING** Hazardous voltage. Can shock, burn, or cause death. Permanently ground pump, motor and control box before connecting power supply to motor.

Ground pump and motor in accordance with the local codes and ordinances. Use a copper ground wire at least as large as wires carrying current to motor.

Motor is supplied with a copper ground wire. Splice this ground wire to a copper conductor that matches motor wire size specified in cable sizing charts, pages 4, 5, 7, 11, and 12. See Pages 20 and 21 for cable splicing instructions.

Permanently ground pump, motor and control box before connecting power cable to power supply. Connect ground wire to approved ground first and then connect to equipment being installed.

**Do not ground to a gas supply line.**

**⚠WARNING** Fire and electrical shock hazard. If using a drop cable larger than No. 10 (5.5mm<sup>2</sup>) (for example, No. 8 (8.4mm<sup>2</sup>) wire) between pump and control box, run cable to a separate junction box. Connect junction box to control box with a No. 10 (5.5mm<sup>2</sup>) wire.

**For more information, contact your local code officials.**

### **WIRING CONNECTIONS:**

Installation must meet United States National Electrical Code, Canadian Electrical Code and local codes for all wiring (as applicable).

Use only copper wire when making connections to pump and control box.

To avoid over heating wire and excessive voltage drop at motor, be sure that wire size is at least as large as size listed in cable sizing charts for your horsepower pump and length of wire run.

**NOTICE:** See Pages 15 through 19 for typical wiring hookups and control box identification.

**NOTICE:** When built in overheating protection is not provided, install an approved overload equipped motor control that matches motor input in full load amps. Select or adjust overload element(s) in accordance with control instructions. When built in overheating protection is provided, use an approved motor control that matches motor input in full amperes.

### **Rotation – (3 Phase only)**

To make sure motor is running in the right direction, proceed carefully as follows:

After electrical connections have been made as outlined, and with pump hanging in well supported from clamp on the discharge pipe, turn on then turn off the switch connecting the motor to the power supply line. Note rotation of pump as motor starts. If connections are properly made, pump will “jerk” clockwise when looking into the pump discharge when started. If “jerk” is counter clockwise, the motor is running in the wrong direction. Interchange any two cable

leads where they connect to the “lead” terminals in the magnetic starter. With connections properly made, and pump lowered into water, turn on the switch again and the pump should deliver water according to the performance charts.

### **OVERLOAD PROTECTION OF THREE PHASE SUBMERSIBLE MOTORS – CLASS 10 PROTECTION REQUIRED**

The characteristics of submersible motors are different from standard motors and special overload protection is required.

If the motor is stalled, the overload must trip within 10 seconds to protect the motor windings. All recommended overload selections are of the ambient compensated type to maintain protection at high and low air temperatures.

All heaters and amp settings shown are based on total line amps. When a six lead motor is used with a Wye Delta starter, divide motor amps by 1.732 to make your selection or adjustment for heaters carrying phase amps.

See Table VII for overload specifications for PEN TEK motors.

**NOTICE:** Warranty on three phase submersible motors is void unless proper quick trip protection in all three motor lines is used.

### **SURGE ARRESTERS IN CONTROL BOX**

**Grounding: When the box has a surge arrester, the surge arrester MUST be grounded, metal to metal, all the way to the water strata for the arrester to be effective. Grounding the arrester to a driven ground rod provides little or no protection for the motor.**

**NOTICE:** Surge arresters DO NOT protect against direct lightning strikes.

Install grounded surge arresters to protect pump from high voltage surges. Install arrester on the incoming power line to control box or pressure switch, as close to pump motor as possible. See Figures 1 and 2 for installation wiring diagrams for arresters.

**NOTICE:** Ground the arrester with a No. 10 or larger bare wire. Ground according to local code requirements.

**NOTICE:** If surge arresters wired into the control box are against local electrical code, contact power company for correct wiring information.

**PENTEK XE-Series Motor, Submersible Motor Control, and Fusing/Wiring Specifications.**

**TABLE I-CSIR: Recommended Fusing Data - PENTEK XE-Series 60 Hz., Single Phase, 3 Wire Induction Run Submersible Pump Motors**

HP	Volts/Hz/Ph	Motor Winding Resistance-Ohms R to Y	Motor Winding Resistance-Ohms B to Y	Service Factor Amps	Locked Rotor Amps	Fuze Size Standard/Dual Elem/CB
1/2	115/60/1	5.7-7.0	0.9-1.6	12.6	49.6	30/20/30
1/2	230/60/1	17.4-18.7	4.2-4.9	6.3	22.3	15/10/15
3/4	230/60/1	11.8-13.0	2.6-3.6	8.3	32.0	20/10/20
1	230/60/1	11.3-12.3	2.2-3.2	9.7	41.2	25/15/25

**TABLE II: Recommended Fusing Data - PENTEK XE-Series 60 Hz., Single Phase 2 Wire Submersible Pump Motors**

HP	Volts/Hz/Ph	Motor Winding Resistance Ohms	Service Factor Amps	Locked Rotor Amps	Fuze Size Standard/Dual Elem/CB
1/2	115/60/1	1.3-1.8	9.5	36.4	25/15/20
1/2	230/60/1	4.5-5.2	4.7	19.5	15/10/10
3/4	230/60/1	3.0-4.8	6.4	24.8	20/10/15
1	230/60/1	4.2-5.2	9.1	21.7	25/15/20
1-1/2	230/60/1	1.9-2.3	11.0	42.0	30/15/25

**TABLE I-CSCR: Recommended Fusing Data - PENTEK XE-Series 60 Hz., Single Phase, 3 Wire Capacitor Run Submersible Pump Motors**

HP	Volts/Hz/Ph	Motor Winding Resistance-Ohms R to Y	Motor Winding Resistance-Ohms B to Y	Service Factor Amps	Locked Rotor Amps	Fuze Size Standard/Dual Elem/CB
1/2	230/60/1	17.4-18.7	4.2-4.9	4.9	22.3	15/10/10
3/4	230/60/1	11.8-13.0	2.6-3.6	6.3	32.0	20/10/15
1	230/60/1	11.3-12.3	2.2-3.2	7.2	41.2	20/10/15
1-1/2	230/60/1	7.9-8.7	1.6-2.3	11.1	47.8	30/15/25
2	230/60/1	10.8-12.0	1.6-2.2	12.2	49.4	30/20/25
3	230/60/1	2.0-2.5	1.1-1.4	16.5	76.4	45/25/40
5	230/60/1	1.36-1.66	0.62-0.76	27	101.0	70/40/60

NOTE: 2 Wire motor leads are not color coded. Overload is located in motor and cannot be tested from above ground.

NOTE: Sizes given are for copper wire. For aluminum wire, go two sizes larger. For example, if table lists #12 (3mm<sup>2</sup>) copper wire, use #10 (5mm<sup>2</sup>) aluminum wire. Use oxidation inhibitors on connections.

**TABLE III-CSIR: Copper Cable Length in FEET (Service to Motor) Cap Start, Induction Run PENTEK XE-Series Motors: 1 Ph, 3-Wire Cable, 60 Hz. AWG Wire Size**

3-Wire in Feet	HP	Volt	Wire Size, AWG; Cable Length in FEET										
			14	12	10	8	6	4	3	2	1	0	00
0.5	115		87	138	221	349	544	867	1090	1376	1734	2188	2761
0.5	230		348	553	883	1398	2175	3467	4359	5505	6935	8753	
0.75	230		264	420	670	1061	1651	2632	3309	4178	5264	6644	8383
1	230		226	359	573	908	1413	2252	2831	3575	4504	5685	7173

**TABLE III-CSCR: Copper Cable Length in FEET (Service to Motor) Cap Start, Cap Run PENTEK XE-Series Motors: 1 Ph, 3-Wire Cable, 60 Hz. AWG Wire Size**

3-Wire in Feet	HP	Volt	Wire Size, AWG; Cable Length in FEET										
			14	12	10	8	6	4	3	2	1	0	00
0.5	230		447	711	1135	1797	2796	4458	5604	7078	8916	11254	
0.75	230		348	553	883	1396	2175	3467	4359	5505	6935	8753	11044
1	230		304	484	772	1223	1903	3034	3814	4817	6068	7659	9663
1.5	230		197	314	501	793	1234	1968	2474	3124	3936	4968	6268
2	230		180	286	456	722	1123	1790	2251	2843	3581	4520	5703
3	230		133	211	337	534	830	1324	1664	2102	2648	3342	4217
5	230				206	326	507	809	1017	1284	1618	2042	2577

**TABLE III-2W: Copper Cable Length in FEET (Service to Motor) 2-Wire PENTEK XE-Series Motors: 1 Ph, 2-Wire Cable, 60 Hz. AWG Wire Size**

2-Wire in Feet	HP	Volt	Wire Size, AWG; Cable Length in FEET										
			14	12	10	8	6	4	3	2	1	0	00
0.5	115		115	183	293	463	721	1150	1445	1825	2299	2902	3662
0.5	230		466	742	1183	1874	2915	4648	5843	7379	9295	11733	14803
0.75	230		342	545	869	1376	2141	3413	4291	5419	6826	8617	10871
1	230		241	383	611	968	1506	2400	3018	3811	4801	6060	7646
1.5	230		199	317	505	801	1246	1986	2496	3153	3972	5013	6325

**TABLE III-M-CSIR: Copper Cable Length in METERS (Service to Motor) Cap Start, Induction Run  
PENTEK XE-Series Motors: 1 Ph, 3-Wire Cable, 60 Hz. AWG Wire Size**

3-Wire in Meters	HP	Volt	Wire Size, AWG; Cable Length in METERS									
			14	12	10	8	6	4	3	2	1	0
0.5	115	27	42	67	107	166	264	332	419	528	667	842
0.5	230	106	169	269	426	663	1057	1329	1678	2114	2668	
0.75	230	80	128	204	323	503	802	1008	1274	1604	2025	2555
1	230	69	110	175	277	431	686	863	1090	1373	1733	2186

**TABLE III-M-CSCR: Copper Cable Length in METERS (Service to Motor) Cap Start, Cap Run  
PENTEK XE-Series Motors: 1 Ph, 3-Wire Cable, 60 Hz. AWG Wire Size**

3-Wire in Meters	HP	Volt	Wire Size, AWG; Cable Length in METERS									
			14	12	10	8	6	4	3	2	1	0
0.5	230	136	217	346	548	852	1359	1708	2157	2718	3430	
0.75	230	106	169	269	426	663	1057	1329	1678	2114	2668	3366
1	230	93	148	235	373	580	925	1163	1468	1849	2335	2945
1.5	230	60	96	153	242	376	600	754	952	1200	1514	1910
2	230	55	87	139	220	342	546	686	866	1091	1378	1738
3	230	40	64	103	163	253	404	507	641	807	1019	1285
5	230			63	99	155	247	310	391	493	623	785

**TABLE III-M-2W: Copper Cable Length in METERS (Service to Motor) 2-Wire**

**PENTEK XE-Series Motors: 1 Ph, 2-Wire Cable, 60 Hz. Wire Size**

2-Wire in Meters	HP	Volt	Wire Size, AWG; Cable Length in METERS									
			14	12	10	8	6	4	3	2	1	0
0.5	115	35	56	89	141	220	350	441	556	701	885	1116
0.5	230	142	226	361	571	889	1417	1781	2249	2833	3576	4512
0.75	230	104	166	265	419	653	1040	1308	1652	2081	2626	3314
1	230	73	117	186	295	459	732	920	1162	1463	1847	2330
1.5	230	61	97	154	244	380	605	761	961	1211	1528	1928

**TABLE IV: PENTEK Motor/Control Coordination**

XE-Series Motor Model No. (3-W)	HP	Volts/Hz/Ph	SMC Submersible Motor Control Type	
			CSIR	CSCR
P43B0005A1	1/2	115/60/1	SMC-IR0511	—
P43B0005A2	1/2	230/60/1	SMC-IR0521	SMC-CR0521
P43B0007A2	3/4	230/60/1	SMC-IR0721	SMC-CR0721
P43B0010A2	1	230/60/1	SMC-IR1021	SMC-CR1021
P43B0015A2	1-1/2	230/60/1	—	SMC-CR1521
P43B0020A2	2	230/60/1	—	SMC-CR2021

**NOTE** PENTEK XE- Motors with model numbers beginning 'P42' or are 2-Wire motors and do not use a Submersible Motor Control.

**TABLE V: Recommended Fusing Data - PENTEK XE-Series 60 Hz., Three Phase, Submersible Pump Motors**

HP	Volts/Hz/Ph	Motor Winding Resistance-Ohms L to L	Service Factor Amps	Locked Rotor Amps	Fuze Size Standard/Dual Element
1/2	230/60/3	5.7-7.2	2.9	17	6/6/6
3/4	230/60/3	3.3-4.3	3.9	27	6/6/6
1	230/60/3	4.1-5.1	4.7	26	10/6/10
1-1/2	230/60/3	2.8-3.4	6.1	32	15/10/15
2	230/60/3	1.8-2.4	7.6	44	15/15/20
3	230/60/3	1.3-1.7	10.1	59	25/15/25
5	230/60/3	0.85-1.25	17.5	93	45/30/40
7-1/2	230/60/3	0.55-0.85	26.4	140	70/45/60
1/2	200/60/3	4.1-5.2	3.4	22	10/6/10
3/4	200/60/3	2.6-3.0	4.5	32	15/10/10
1	200/60/3	3.4-3.9	5.5	29	15/10/10
1-1/2	200/60/3	1.9-2.5	7.2	40	20/10/15
2	200/60/3	1.4-2.0	8.8	51	25/15/20
3	200/60/3	0.9-1.3	12.0	71	35/20/30
5	200/60/3	0.4-0.8	20.2	113	60/35/50
7-1/2	200/60/3	0.5-0.6	30.0	165	80/50/70
1/2	460/60/3	23.6-26.1	1.5	9	3/3/3
3/4	460/60/3	14.4-16.2	2.0	14	3/6/3
1	460/60/3	17.8-18.8	2.5	13	6/3/6
1-1/2	460/60/3	12.3-13.1	3.2	16	10/6/6
2	460/60/3	8.0-8.7	3.8	23	15/6/10
3	460/60/3	5.9-6.5	5.3	30	15/10/15
5	460/60/3	3.6-4.0	8.5	48	25/15/20
7-1/2	460/60/3	1.9-2.3	13.5	87	40/25/35
1-1/2	575/60/3	19.8-20.6	2.4	12	6/3/6
2	575/60/3	9.4-9.7	3.3	21	10/6/10
3	575/60/3	9.4-9.7	4.1	21	10/10/10
5	575/60/3	3.6-4.2	7.6	55	25/15/20
7-1/2	575/60/3	3.6-4.2	10.0	55	25/20/25

**TABLE VI-230 Volts: Copper Cable Length in FEET (Service to Motor)**

**PENTEK XE-Series Motors: 3 Phase, 60 Hz. Wire Size**

Length in Feet	HP	Volts/Hz/Ph	Kw	Wire Size, AWG; Cable length in FEET												
				14	12	10	8	6	4	3	2	1	0	00		
1/2	230/60/3	.37	645	1025	1635	2590	4030	6425								
3/4	230/60/3	.55	562	894	1426	2258	3513	5601	7041							
1	230/60/3	.75	466	742	1183	1874	2915	4648	5843	7379						
1-1/2	230/60/3	1.1	359	571	912	1444	2246	3581	4502	5685	7162	9040				
2	230/60/3	1.5	288	459	732	1159	1803	2874	3613	4563	5748	7256	9155			
3	230/60/3	2.2	217	345	551	872	1357	2163	2719	3434	4326	5460	6889			
5	230/60/3	3.7			318	503	783	1248	1569	1982	2496	3151	3976			
7-1/2	230/60/3	5.5				334	519	827	1040	1314	1655	2089	2635			

**TABLE VI-M-230 Volts: Copper Cable Length in METERS (Service to Motor)**

**PENTEK XE-Series Motors: 3 Phase, 60 Hz., AWG Wire Size**

Length in Meters	HP	Volts/Hz/Ph	Kw	Wire Size, AWG; Cable length in METERS												
				14	12	10	8	6	4	3	2	1	0	00		
1/2	230/60/3	.37	196	313	498	789	1228	1958								
3/4	230/60/3	.55	171	272	435	688	1071	1797	2146							
1	230/60/3	.75	142	226	361	571	889	1417	1781	2249						
1-1/2	230/60/3	1.1	110	174	278	440	685	1091	1372	1733	2183	2756				
2	230/60/3	1.5	88	140	223	353	550	876	1101	1391	1752	2212	2790			
3	230/60/3	2.2	66	105	168	266	414	659	829	1047	1318	1664	2100			
5	230/60/3	3.7			97	153	239	380	478	604	761	960	1212			
7-1/2	230/60/3	5.5				102	158	252	317	400	504	637	803			

**TABLE VI–200 Volts: Copper Cable Length in FEET (Service to Motor)**

**PENTEK XE-Series Motors: 200V, 3 Phase, 60 Hz., AWG Wire Size**

Length in Feet	HP	Volts/ Hz/Ph	Kw	Wire Size, AWG; Cable length in FEET												
				14	12	10	8	6	4	3	2	1	0	00		
1/2	200/60/3	0.37	560	892	1422	2252										
3/4	200/60/3	0.55	423	674	1074	1702	2648									
1	200/60/3	0.75	346	551	879	1392	2166	3454	4342							
1.5	200/60/3	1.1	265	421	672	1064	1655	2638	3317							
2	200/60/3	1.5	217	344	549	870	1354	2158	2714	3427	4317	5449				
3	200/60/3	2.2	159	253	403	638	993	1583	1990	2513	3166	3996				
5	200/60/3	3.7	94	150	239	379	590	940	1182	1493	1881	2374	2995			
7.5	200/60/3	5.5	64	101	161	255	397	633	796	1005	1266	1598	2017			

**TABLE VI-M–200 Volts: Copper Cable Length in METERS (Service to Motor)**

**PENTEK XE-Series Motors: 200V, 3 Phase, 60 Hz. Wire Size**

Length in Meters	HP	Volts/ Hz/Ph	Kw	Wire Size, AWG; Cable Length in METERS												
				14	12	10	8	6	4	3	2	1	0			
1/2	200/60/3	0.37	171	272	433	686										
3/4	200/60/3	0.55	129	205	327	519	807									
1	200/60/3	0.75	106	168	268	424	660									
1.5	200/60/3	1.1	81	128	205	324	504									
2	200/60/3	1.5	66	105	167	265	413	658								
3	200/60/3	2.2	48	77	123	195	303	482								
5	200/60/3	3.7	29	46	73	116	180	287	360							
7.5	200/60/3	5.5	19	31	49	78	121	193	243	306	386	487				

**TABLE VI–460 Volts: Copper Cable Length in FEET (Service to Motor)**

**PENTEK XE-Series Motors: 460V, 3 Phase, 60 Hz., AWG Wire Size**

Length in Feet	HP	Volts/ Hz/Ph	Kw	Wire Size, AWG; Cable length in FEET								
				14	12	10	8	6	4	3	2	
1/2	460/60/3	0.37	2922	4648	7414							
3/4	460/60/3	0.55	2191	3486	5560	8806						
1	460/60/3	0.75	1753	2789	4448	7045						
1.5	460/60/3	1.1	1370	2179	3475	5504						
2	460/60/3	1.5	1153	1835	2926	4635	7212					
3	460/60/3	2.2	827	1315	2098	3323	5171					
5	460/60/3	3.7	516	820	1308	2072	3224	5140				
7.5	460/60/3	5.5	325	516	824	1305	2030	3236	4068	5138		

**TABLE VI-M–460 Volts: Copper Cable Length in METERS (Service to Motor)**

**PENTEK XE-Series Motors: 460V, 3 Phase, 60 Hz., AWG Wire Size**

Length in Meters	HP	Volts/ Hz/Ph	Kw	Wire Size, AWG; Cable Length in METERS								
				14	12	10	8	6	4	3	2	
1/2	460/60/3	0.37	891	1417	2260							
3/4	460/60/3	0.55	668	1063	1695	2684						
1	460/60/3	0.75	534	850	1356	2147						
1.5	460/60/3	1.1	417	664	1059	1678						
2	460/60/3	1.5	352	559	892	1413	2198					
3	460/60/3	2.2	252	401	640	1013	1576					
5	460/60/3	3.7	157	250	399	632	983	1567				
7.5	460/60/3	5.5	99	157	251	398	619	986	1240	1566		

**TABLE VI-575 Volts: Copper Cable Length in FEET (Service to Motor)**

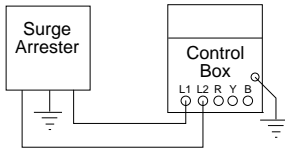
**PENTEK XE-Series Motors: 575V, 3 Phase, 60 Hz., AWG Wire Size**

Length in Feet	HP	Volts/ Hz/Ph	Kw	Wire Size, AWG; Cable Length in FEET				
				14	12	10	8	6
1.5	575/60/3	1.1	2283	3631	5792			
2	575/60/3	1.5	1660	2641	4212	6671		
3	575/60/3	2.2	1336	2126	3390	5370		
5	575/60/3	3.7	721	1147	1829	2897	4507	
7.5	575/60/3	5.5	548	871	1390	2202	3426	

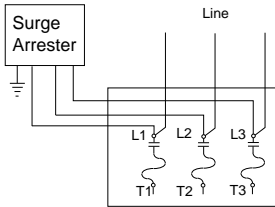
**TABLE VI-M-575 Volts: Copper Cable Length in METERS (Service to Motor)**

**PENTEK XE-Series Motors: 575V, 3 Phase, 60 Hz., AWG Wire Size**

Length in Meters	HP	Volts/ Hz/Ph	Kw	Wire Size, AWG; Cable Length in METERS				
				14	12	10	8	6
1.5	575/60/3	1.1	696	1107	1765			
2	575/60/3	1.5	506	805	1284	2033		
3	575/60/3	2.2	407	648	1033	1637		
5	575/60/3	3.7	220	350	557	883	1374	
7.5	575/60/3	5.5	167	266	424	671	1044	



**FIGURE 1 – Typical 3 Wire, Single Phase, 230 Volt Surge Arrester**



**FIGURE 2 - Three Phase Surge Arrester (650 Volt Maximum)**

**Table III and VI NOTES:**

1. Sizes given are for copper wire. For aluminum wire, go two sizes larger. For example, if table lists #12 (3mm<sup>2</sup>) copper wire, use #10 (5mm<sup>2</sup>) aluminum wire. Use oxidation inhibitors on connections.
2. For reliable 3 Phase starter operation, length of wire between starter and service entrance should be not more than 25% of total wire length.



**TABLE VII – Overloads for 3 Phase 60 Hertz 4" PENTEK Motors**

HP	kW	Volts	NEMA Starter Size	Heaters for Overload Relays			Adjustable Relays (Note D)	
				Furnas (Note A)	Allen Bradley (Note B)	GE (Note C)	Set	Max.
				1.5	1.1	230 460 575	00 00 00	K39 K29 K26
2	1.5	230 460 575	0 00 00	K49 K33 K29	J25 J18 J15	L910A L463A L380A	7.5 3.8 3.0	8.1 4.1 3.2
3	2.2	230 460 575	0 0 0	K52 K37 K34	J28 J21 J19	L122B L618A L510A	10.1 5.1 4.1	10.9 5.5 4.4
5	3.7	230 460 575	1 0 0	K61 K49 K42	J33 J26 J23	L199B L100B L825A	16.6 8.3 6.6	17.8 8.9 7.1
7-1/2	5.5	230 460 575	1 1 1	K67 K55 K52	J37 J30 J28	L293B L147B L122B	24.6 12.3 9.9	26.4 13.2 10.6
10	7.5	460 575	1 1	K61 K57	J33 J31	L220B L181B	17.5 14.0	18.8 15.0

**TABLE VII NOTES:**

**NOTE A:** Apply Furnas intermediate sizes between NEMA starter sizes where (1) is shown in tables. Size 1-3/4 replaces 2, 2-1/2 replaces 3, 3-1/2 replaces 4 and 4-1/2 replaces 5. Heaters are selected from Catalog 294, Table 332 and Table 632 (starter size 00, size B). Size 4 starters are heater type 4 (JG). Starters that use these heater tables include classes 14, 17 and 18 (INNOVA), classes 36 and 37 (reduced voltage), and classes 87, 88 and 89 (pump and motor control centers). Set overload relay adjustments no higher than 100%, unless it is necessary to stop nuisance tripping when measured amps in all lines are below nameplate maximum. For heater selections for class 16 starters (Magnetic Definite Purpose), contact Pentair Water Customer Service.

**NOTE B:** Allen-Bradley heaters are selected from Catalog IC-110, Table 162 (through starter size 4), Table 547 (starter size 5), and Table 196 (starter size 6). Bulletin 505, 509, 520, 540 and 570 use these heater tables. Contact Pentair Water Customer Service for heater selections for bulletin 1232X and 1233X starters.

**NOTE C:** General Electric heaters are type CR123, can be used only on type CR124 overload relays, and are selected from Catalog GEP-126OJ, page 184. Set overload relay adjustments no higher than 100%, unless it is necessary to stop nuisance tripping when measured amps in all lines are below nameplate maximum.

**NOTE D:** Adjustable overload relay amp settings apply to the approved types that are listed. Set relay adjustment at the specified SET amps. If tripping occurs while amps in all lines are measured at less than maximum nameplate amps, the setting may be increased, but should not exceed the MAX value shown.

**Recommended Adjustable Overload Relays (Listed Alphabetically)**

- AEG Series:** B175, B275, B27-2.
- Allen Bradley:** Bulletin 193, SMP-Class 10 only.
- Fanal Types:** K7 or K7D through K400.
- Franklin Electric:** Subtrol-Plus.
- General Electric:** CR4G, CR7G, RT\*1, RT\*2, RTE3, RT\*4, CR324X-Class 10 only.
- Klockner-Moeller Types:** Z00, Z1, Z4, PKZM1, PKZM3, PKZ2.
- Lovato:** RC9, RC22, RC80, RF9, RF25, RF95.
- Siemens Types:** 3UA50, -52, -54, -55, -58, -59, -60, -61, -62, -66, -68, -70, 3VU13, 3VE, 3UB (Class 5).
- Sprecher and Schuh Types:** CT, CT1, CTA 1, CT3K, CT3-12 thru CT3-42, KTA3, CEF1 & CET3 set at 6 sec. max., CEP 7 Class 10, CT4, 6, & 7, CT3.
- Square D/Telemecanique:** Class 9065 types TD, TE, TF, TG, TJ, TK, TR, TJE, TJF (Class 10) or LR1-D, LR1-F, LR2-D13, -D23, -D33, Types 18A, 32A, SS-Class 10, SR-Class 10 and 63-A-LB Series. Integral 18,32,63, GV2-L, GV2-M, GV2-P, GV3-M (1.6-10 amp only).
- Westinghouse Types:** FT13, FT23, FT33, FT43, K7D, K27D, K67D, Advantage (Class 10), MOR, IQ500 (Class 5).

Other relay types from these manufacturers or from other manufacturers may or may not provide acceptable protection. Contact Pentair Water Customer Service for more information.

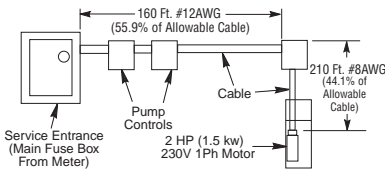
Some approved overload types may not be available for all of the listed motor ratings. When relays are used with current transformers, divide the specified amps by the transformer ratio to obtain the relay setting.

## Calculating Cable size when two different sizes can be used (in feet)

Sometimes conditions make it desirable to use more than one size cable in an installation.

For example: Replace a pump with a 2 HP, 230 volt, 60 Hz, single phase motor, with the motor setting at 210' down the well and with 160' of #12AWG cable buried between the service entrance and the well head. In order to avoid replacing the buried cable, the question is: What size cable is required in the well? Calculate as follows:

1. According to Table III, a total of 286' of #12AWG cable is allowed to power the 2 HP motor. The percent of this total that has been used by the 160' of cable in the buried run is:  $160'/286' = .559 = 55.9\%$ .



2. With 55.9% of the allowable cable already used, 44.1% of the total length is left for use in the well. To avoid running a cable that is too small and lowering the voltage to the motor, we have to find a cable size large enough so that 210' is less than 44.1% of the total length allowed for that size.
3. Trying #10AWG cable, Table III shows that the total allowable length for a 2 HP motor is 456'.  $456' \times 44.1\% = 456' \times .441 = 201'$   
This is not long enough.
4. Trying #8AWG cable, Table III shows that the total allowable length is 722'.  $722' \times 44.1\% = 722' \times .441 = 318'$   
This is longer than needed. Therefore, #8AWG cable can be used for the 210' of cable in the well.

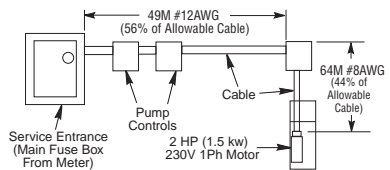
Any combination of sizes can be used, provided that the total percentage of the length of the two sizes of cable does not exceed 100% of the allowed lengths.

## Calculating Cable size when two different sizes can be used (in meters)

Sometimes conditions make it desirable to use more than one size cable in an installation.

For example: Replace a pump with a 2 HP, 230 volt, 60 Hz, single phase motor, with the motor setting at 64M down the well and with 49M of #12AWG cable buried between the service entrance and the well head. In order to avoid replacing the buried cable, the question is: What size cable is required in the well? Calculate as follows:

1. According to Table III M, a total of 87M of #12AWG cable is allowed to power the 2 HP motor. The percent of this total that has been used by the 49M of cable in the buried run is:  $49M/87M = .56 = 56\%$ .



2. With 56% of the allowable cable already used, 44% of the total length is left for use in the well. To avoid running a cable that is too small and lowering the voltage to the motor, we have to find a cable size large enough so that 64M is less than 44% of the total length allowed for that size.
3. Trying #10AWG cable, Table III M shows that the total allowable length for a 2 HP motor is 139M.  $139M \times 44\% = 139M \times .44 = 61M$   
This is not long enough.
4. Trying #8 cable, Table III M shows that the total allowable length is 220M.  $220M \times 44\% = 220M \times .44 = 97M$   
This is longer than needed. Therefore, #8AWG cable can be used for the 64M of cable in the well.

Any combination of sizes can be used, provided that the total percentage of the length of the two sizes of cable does not exceed 100% of the allowed lengths.

## INSTALLATION WIRING DIAGRAMS - SINGLE PHASE, 3 WIRE

**⚠ WARNING** For motors of 1-1/2 HP and above, use magnetic starter to avoid damage to pressure switch. Consult factory for wiring information.

**⚠ WARNING** Hazardous voltage. Can shock, burn, or kill.

Ground control box, all metal plumbing, and motor frame with copper wire in compliance with local codes. Use a ground wire at least as large as the wires supplying power to motor.

Permanently close all unused openings in this and other equipment.

Disconnect power to control box before working on or around control box, pipes, cable, pump, or motor.

To be sure that starting relay will function and that overload will not “nuisance trip”, install control box vertically with top side up.

Wire control box as shown on Pages 15 through 19. Pump will not operate without control box, and some boxes require a switch or a jumper lead between ‘SW’ and ‘L2’ terminals. Operation with out control box will burn out motor.

Installation must meet United States National Electrical Code, Canadian Electrical Code, and local codes for all wiring (as applicable).

If main overload trips, look for:

1. Shorted Capacitor
2. Voltage Problems
3. Overloaded or locked pump.

NOTICE: Match motor to control box or submersible motor control as shown on pages 4, 5 and 11. Franklin motor and control box model numbers may include additional suffix numbers to the right of the numbers shown on page 11. These additional numbers are not important for control box selection.

### LIQUID LEVEL (PUMP DOWN)

#### CONTROLS:

Use pump down controls on wells with low flow to prevent pumping well dry. See Wiring diagrams, Pages 15 through 19, for proper installation.

**NOTICE:** Ground controls according to local code requirements.

If start overload trips, replace start relay. Reset and analyze for tripping cause. To avoid motor burnout, do not remove or short circuit overload protection.

## CHECKING PROCEDURE (ALL BOXES):

**⚠ DANGER** Hazardous voltage. Can shock, burn, or cause death. Disconnect power to control box before doing these check procedures.

- A. General Procedures.** (Power to control box disconnected)
1. Disconnect line.
  2. Inspect for damaged or burned parts, loose connections, etc.
  3. Check for misconnections against diagram in control box.
  4. If box is too hot, circuit breakers may trip or fuses blow. Ventilate or shade box. Move away from heat source.
  5. If problem has not been found, check motor and control box. Use test procedures that follow.

- B. Ground (Insulation Resistance) Test.** (Power to control box disconnected)
1. Ohmmeter Setting: Highest scale (usually Rx100K or Rx10,000).
  2. Terminal Connections: One ohmmeter lead to "Ground" screw on control box and touch other lead to each of the terminals on terminal board.
  3. Ohmmeter Reading: Pointer should remain at infinity ( $\infty$ ) and not deflect.

**C. Capacitor Tests.** (Power to control box disconnected)

**⚠ WARNING** Risk of electric shock. Short capacitor across terminals before testing.

1. Ohmmeter Setting: Rx1000.
2. Terminal Connections: Connect ohmmeter leads to black and orange wires out of capacitor case.
3. Ohmmeter Reading: Pointer should swing toward "zero" and "float" back to ( $\infty$ ). Capacitor is shorted if pointer does not move back to ( $\infty$ ), open if it does not move from ( $\infty$ ).
4. To reset capacitor, reverse ohmmeter connection to capacitor terminals.

**D. Triac Test.** (Solid state switch only)

1. Ohmmeter Setting: Rx1000.
2. Connect the leads to "R" (start) terminal and to orange lead terminal on start switch.
3. Ohmmeter reading: Infinity ( $\infty$ ).

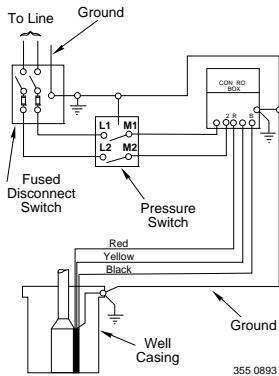
**E. Coil Test.** (Solid state switch only)

1. Ohmmeter Setting: Rx1.
2. Connect leads to "Y" (common) and L2 terminal and to orange lead terminal on start switch.
3. Ohmmeter reading: Infinity ( $\infty$ ).

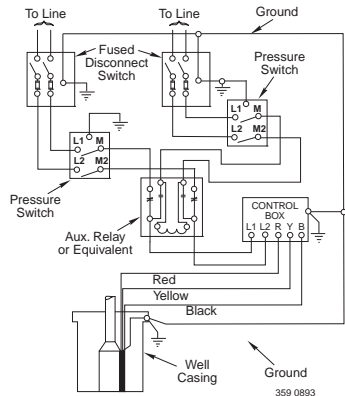
## Installation Wiring Diagrams – Single Phase, 3 Wire

**⚠ WARNING** For motors of 1-1/2 HP and above, use magnetic starter to avoid damage to pressure switch. Consult factory for wiring information.

SINGLE PHASE - 1/2 HP THRU 5 HP STANDARD CONTROL BOX WITH ADEQUATE RATED PRESSURE SWITCH



SINGLE PHASE - 1/2 HP THRU 5 HP STANDARD CONTROL BOX WITH PRESSURE SWITCH (One pump for 2 houses) With adequate rated pressure switch



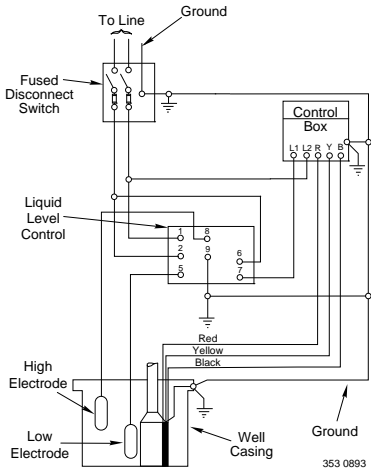
Follow color coding when connecting control box (Yellow to Y, Red to R, Black to B).

## Installation Wiring Diagrams – Single Phase, 3 Wire

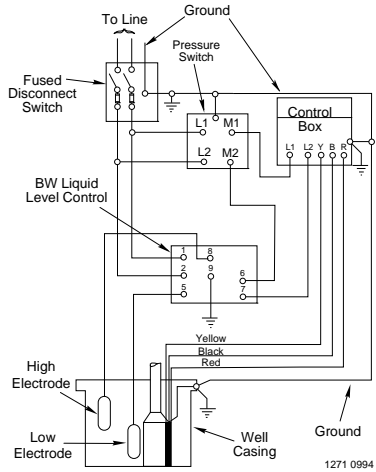


**WARNING** For motors of 1-1/2 HP and above, use magnetic starter to avoid damage to pressure switch. Consult factory for wiring information.

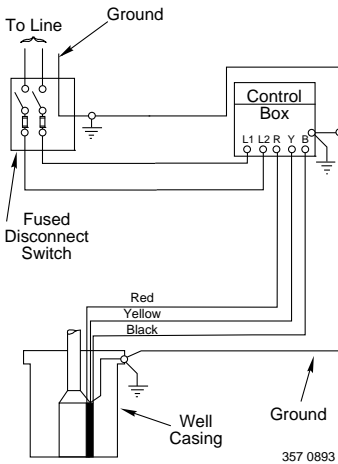
SINGLE PHASE - 1/2 HP THRU 5 HP STANDARD CONTROL BOX WITH LIQUID LEVEL CONTROL



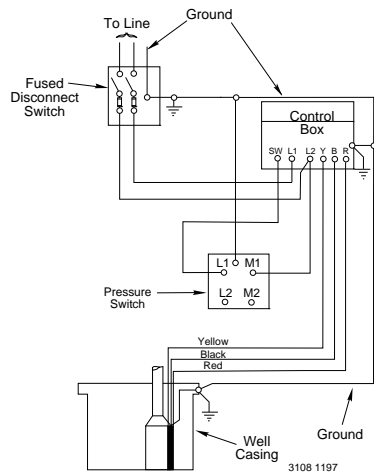
SINGLE PHASE - 1/2 HP THRU 5 HP STANDARD CONTROL BOX WITH PRESSURE SWITCH & LIQUID LEVEL CONTROL



OPEN SYSTEM-SINGLE PHASE - 1/2 HP THRU 5 HP STANDARD CONTROL BOX



SINGLE PHASE - 2, 3 & 5 HP DELUXE CONTROL BOXES WITH PRESSURE SWITCH

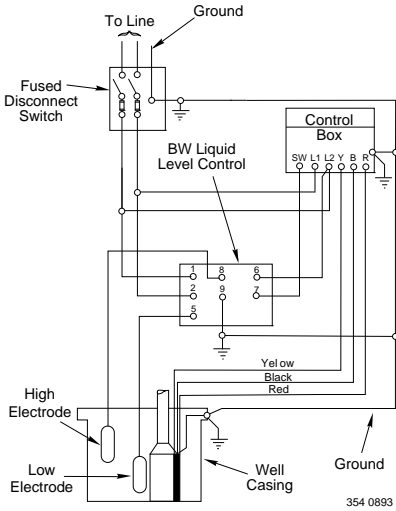


**Follow color coding when connecting control box (Yellow to Y, Red to R, Black to B).**

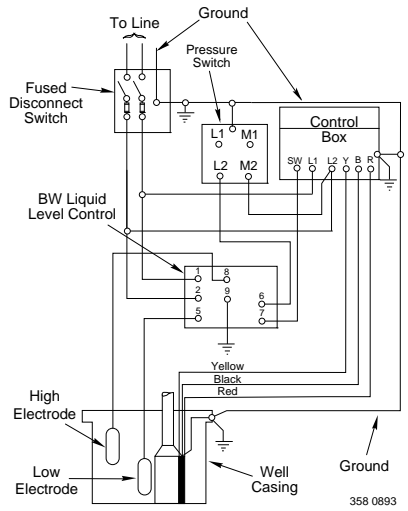
## Installation Wiring Diagrams – Single Phase, 3 Wire

**⚠ WARNING** For motors of 1-1/2 HP and above, use magnetic starter to avoid damage to pressure switch. Consult factory for wiring information.

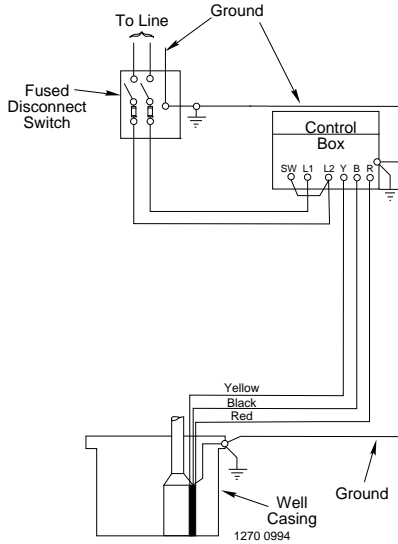
SINGLE PHASE - 1/2 HP THRU 5 HP STANDARD CONTROL BOX WITH LIQUID LEVEL CONTROL



SINGLE PHASE - 1/2 HP THRU 5 HP STANDARD CONTROL BOX WITH PRESSURE SWITCH & LIQUID LEVEL CONTROL



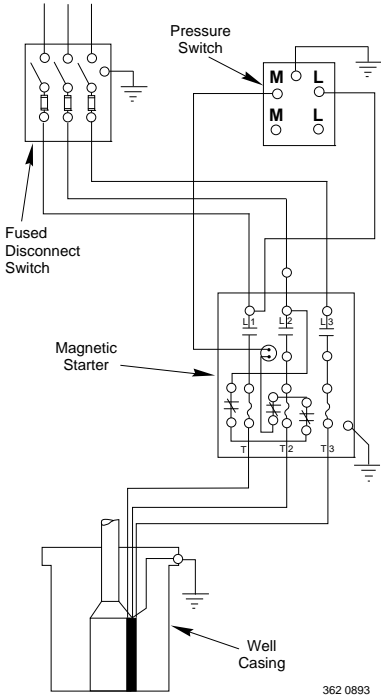
OPEN SYSTEM-SINGLE PHASE - 1/2 HP THRU 5 HP STANDARD CONTROL BOX



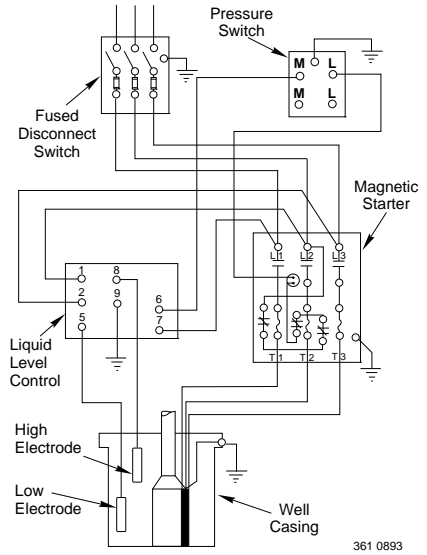
Follow color coding when connecting control box (Yellow to Y, Red to R, Black to B).

## Installation Wiring Diagrams – Three Phase

**THREE PHASE 1 1/2 HP & LARGER  
WITH PRESSURE SWITCH**



**THREE PHASE 1 1/2 HP & LARGER  
WITH PRESSURE SWITCH &  
LIQUID LEVEL CONTROL**

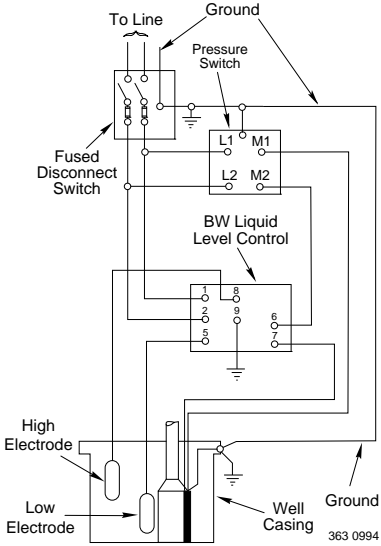


**Follow color coding when connecting control box (Yellow to Y, Red to R, Black to B).**

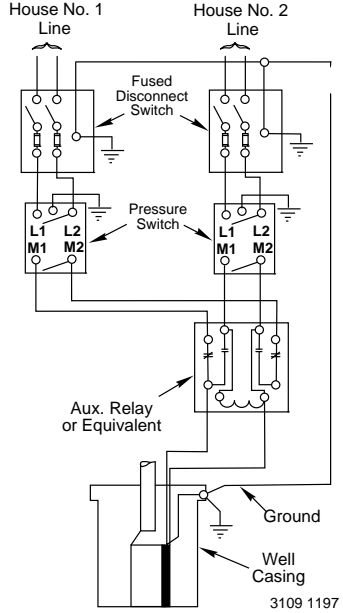
## Installation Wiring Diagrams – 2 Wire

**⚠ WARNING** For motors of 1-1/2 HP and above, use magnetic starter to avoid damage to pressure switch. Consult factory for wiring information.

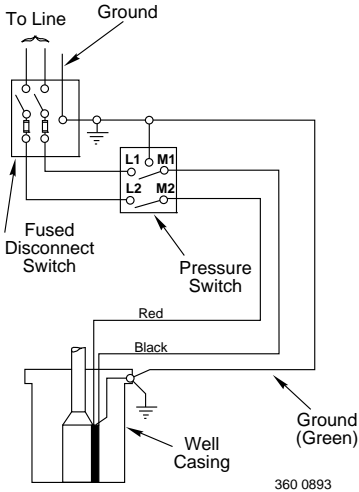
WITH PRESSURE SWITCH  
AND LIQUID LEVEL CONTROL



ONE PUMP FOR TWO HOUSES  
WITH PRESSURE SWITCH



ONE PUMP FOR ONE HOUSE  
WITH PRESSURE SWITCH



Follow color coding when connecting control box (Yellow to Y, Red to R, Black to B).



# Installation

## CABLE SPlicing:

1. Splice cable to motor leads. Use one of the three methods outlined below. Use only cop per wire for connections to pump motor and control box.

### A. Taped splice (Wire sizes No. 8 (8.4mm<sup>2</sup>) and larger):

1. Cut off motor leads. Stagger lead and wire length so that 2nd lead is 2" (50mm) longer than 1st lead and 3rd lead is 2" (50mm) longer than second.
2. Cut off cable ends. Be sure to match colors and lengths of wires in drop cable to colors and lengths of motor leads.
3. Trim insulation back 1/2" (13mm) from cable ends and motor lead ends.
4. Insert motor lead ends and cable ends into butt connectors (see Figure 4). Be sure to match wire colors between drop cable and motor leads.
5. Using crimping pliers (Figure 7), indent butt connector lugs (see Figure 5) to attach wires.

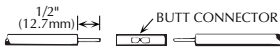


FIGURE 4



FIGURE 5



FIGURE 6

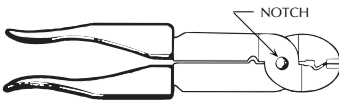


FIGURE 7



FIGURE 8

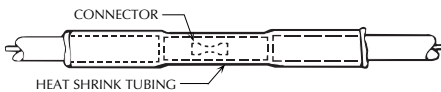


FIGURE 9

6. Cut "Scotchfil" electrical insulation putty into 3 equal parts and form tightly around butt connectors. Be sure scotch fil overlaps insulated part of wire.
7. Using #33 Scotch tape, wrap each joint tightly; cover wire for about 1 1/2" (38mm) on each side of joint. Make four passes with the tape. In other words, when finished you should have four layers of tape tightly wrapped around the wire. Press edges of tape firmly down against the wire (see Figure 8).

**NOTICE:** Since the tightly wound tape is the only means of keeping water out of the splice, the efficiency of the splice will depend on the care used in wrapping the tape.

**NOTICE:** For wire sizes larger than #8, (8.4mm<sup>2</sup>) use a soldered joint rather than Scotchfil putty (see Figure 6).

### B. Heat-shrink splice (For wire sizes #14, 12 and 10 AWG, or 2, 3, and 5.5mm<sup>2</sup>):

1. Remove 3/8" (10mm) insulation from ends of motor leads and drop cable wires.
2. Put plastic heat shrink tubing over motor leads.
3. Match wire colors and lengths in drop cable to wire colors and lengths of motor leads.
4. Insert cable and motor wire ends into butt connectors and crimp (See Figures 4 and 5). **BE SURE** to match wire colors between drop cable and motor leads. Pull leads to check connections.
5. Center tubing over butt connector and apply heat evenly with a torch (a match or lighter will not supply enough heat).

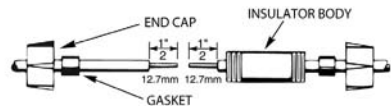


FIGURE 10



FIGURE 11

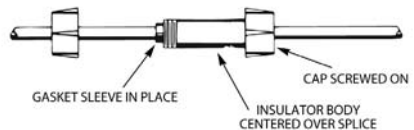


FIGURE 12

**NOTICE:** Keep torch moving. Too much concentrated heat may damage tubing (see Figure 9).

**C. Butt Connectors** with plastic insulators (for 14, 12 and 10 Gauge AWG Wire, or 2.5, 4 and 6mm<sup>2</sup> wire):

1. Cut off motor leads. Stagger lead and wire length so that 2nd lead is 4" (100mm) longer than 1st lead and 3rd lead is 4" (100mm) longer than second.
2. Cut off cable ends. Be sure to match colors and lengths of wires in drop cable to colors and lengths of motor leads.
3. Trim insulation back 1/2" (13mm) from cable ends and motor lead ends.
4. Unscrew plastic caps from insulators. Place a cap and a neoprene gasket sleeve on each wire end to be spliced (see Figure 10).
5. Slide insulator body onto one wire end (Figure 10).
6. Insert wire end into butt connector and crimp (see Figure 11). **Be sure** to match cable and motor wire colors.
7. Center insulator body over splice and slide neoprene sleeves into body as far as they will go. Screw caps onto insulator body (Figure 12) and tighten by hand for a strong, waterproof splice.

## CABLE INSTALLATION

1. To test submersible, momentarily connect it to proper power supply. Power supply frequency and voltage must match motor name plate frequency and voltage to within ±10%. (3 Phase pumps see "Rotation," Page 3).
2. Fasten cable leads securely to pump discharge section; leave 4 5" (100 127mm) of slack in leads at this point. Securely fasten leads to plastic pipe within 6" (150mm) of the pump discharge section. Use torque arresters to protect pump and pipe from twisting damage as pump starts and stops.
3. Connect copper ground wire to motor bracket. Ground wire must be at least as large as wires supplying current to motor. Consult current National Electrical Code, Canadian Electrical Code and local codes (as applicable) for grounding information.
4. Use only submersible cable supplied by pump manufacturer. When lowering pump into well, secure cable to discharge pipe at 10' (3.5M) intervals with Scotch #33 electrical tape. Take care not to damage pump cable.

**NOTICE:** To avoid dropping the pump down the well or damaging cable or cable splices, **NEVER** allow pump cable to support weight of pump.

## PUMP INSTALLATION

1. If a standard air over water pressure tank is being used, install two bleeder orifices about 2' (.6M) apart as shown in Figure 15, Page 24. These orifices will automatically charge the tank with air. See Figure 15 to determine orifice location.

**NOTICE:** If Pre charged tank is used, DO NOT install bleeder orifices. If pump and pre charged tank are replacing a standard tank system, remove bleeder orifices before installing pump in well.

2. To prevent losing pump down the well, connect a safety rope strong enough to support pump and drop pipe (minimum 5/16" (8mm) twisted polypropylene or pronila rope) to eye let on pump discharge. Tie off other end of safety rope securely to well seal, well cap or pitless adapter.
3. Discharge outlet is threaded 2" NPT (60 Hz) or 2" BSP (50 Hz).  
Use 100 PSI rated polyethylene plastic pipe for installations up to 100' depth.  
Use 160 PSI rated polyethylene plastic pipe for installation up to 220' depth.  
For depths beyond 220', use galvanized steel pipe for the entire drop pipe.

## INITIAL START-UP

**NOTICE:** NEVER operate pump with discharge valve completely closed. Pump can destroy itself if run with discharge shut off ("deadheaded") and warranty will be void.

**NOTICE:** To avoid sand locking pump, follow procedure below when starting pump for the first time. NEVER start a pump with discharge completely open unless you have done this procedure first.

1. Connect a pipe elbow, a short length of pipe and a gate valve to pump discharge at well head (see Figure 13).
2. Mount motor control box (3 wire pump), fused disconnect switch (2 wire pump), or magnetic starter (3 phase pump) in a permanently weather proofed place. Make sure that controls will not be subjected to extreme heat or excess moisture.
3. Make sure controls are in OFF position.
4. Connect motor leads and power supply to motor control box, fused disconnect switch, or magnetic starter (see Wiring Diagrams, Pages 15 through 19). DO NOT START PUMP YET.
5. Set gate valve on discharge 1/3 open; start pump (see Figure 13).
6. Keep gate valve at this setting while water pumps out on ground. Let it run until water is clear of sand or silt. (To check solids in water, fill a glass from pump and let solids settle out).

- When water is completely clear at 1/3 set ting, open gate valve to approximately two thirds open and repeat process.
- When water is completely clear at 2/3 set ting, open gate valve completely and run pump until water is completely clear.
- Remove gate valve for permanent installation near tank (see Figures 14 and 15, Pages 23 and 24).
- Install sanitary well seal or pitless adapter unit, well unit, electrical conduit and surface piping according to local code requirements.

## EFFLUENT APPLICATIONS

Pumps designed and tested for effluent applica tions must meet the following:

- ▲WARNING Risk of electric shock.** Do not remove cord and strain relief. Do not connect conduit to pump.
- Only qualified personnel should install the pump and associated control equipment.
  - Vent sewage or septic tank according to local codes.
  - Do not install pump in any location classified as hazardous by National Electrical Code, ANSI/NFPA 70 1984.
  - These pumps are intended for permanent connection only. Provide strain relief at con trol box for power supply cord connection to box. All control components must be UL list ed and suitable for end use application.

## CONNECTING TO TANK/WATER SYSTEM

**▲WARNING Hazardous pressure.** Submersible pumps can develop very high pressure in some situations. To prevent tank blowup, install a pressure relief valve able to pass full pump flow at 75 PSI (517 kPa) when using an air over water pressure tank. Install a pressure relief valve capable of passing entire pump flow at 100 PSI (690 kPa) when using a pre-charged pressure tank. Install this relief valve between pump and tank.

**NOTICE:** Allowing pump or piping system to freeze may severely damage pump and will void warranty. Protect pump and entire piping system (including pressure tank) from freezing.

### Standard Tank Hookup:

See Figure 15, Page 24 for piping connections to standard pressure tank and for correct distance of bleeder orifices from pressure tank.

### Pre-charged Pressure Tank Hookup:

See Figure 14, Page 23 for piping connections to pre charged pressure tank.

**NOTICE:** Check air pre charge in tank before starting pump. Adjust pre charge to 2 PSI (13.8 kPa) below pump cut in setting. (For example, a

pre charge tank used with a 30 50 switch should be pre charged with air to 28 PSI (193 kPa) . Adjust pre charge by either adding or bleeding air through tire valve located on top of tank. Check pre charge annually and adjust as needed.

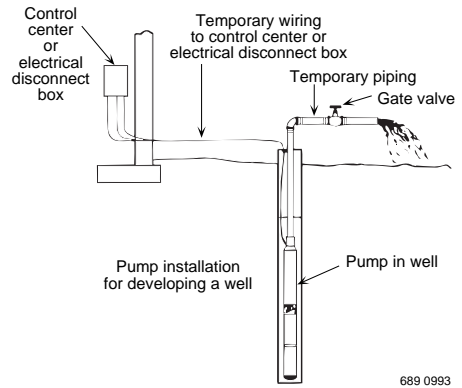


FIGURE 13

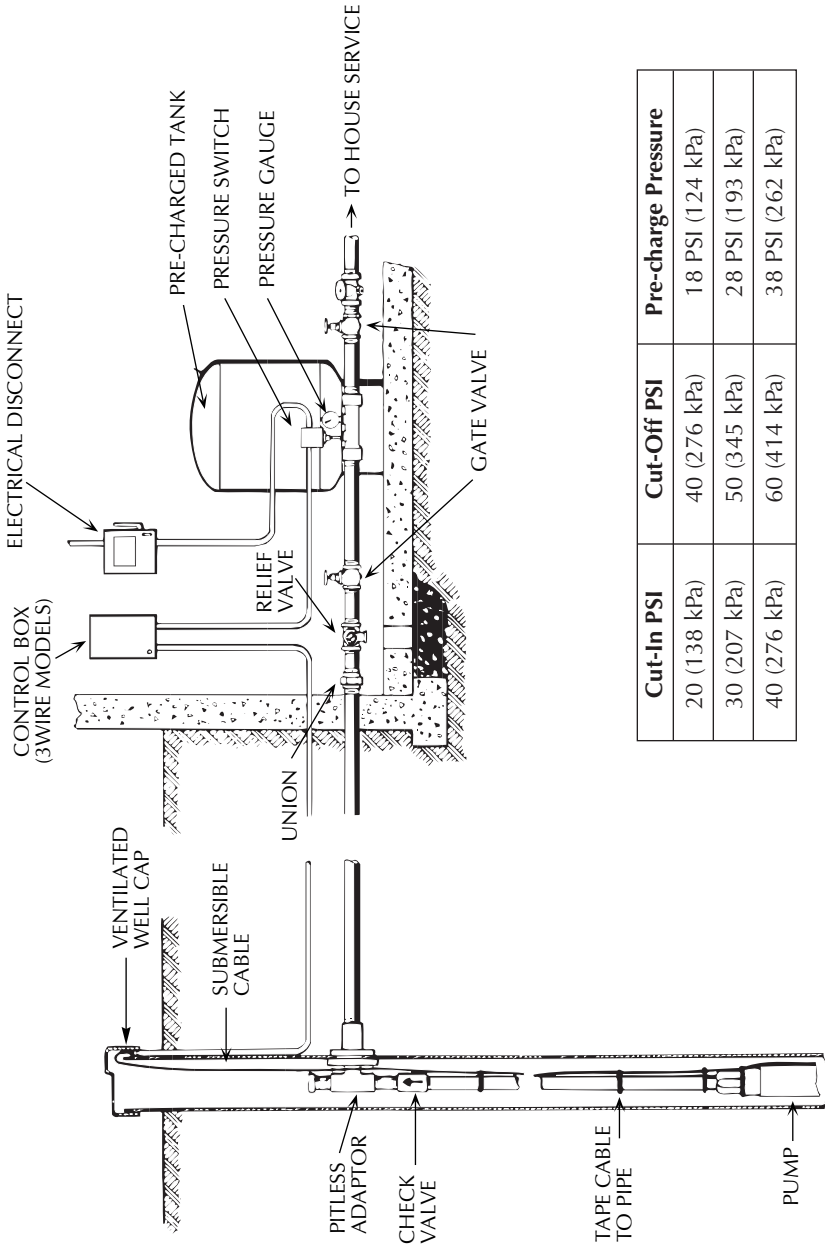
689 0993

## Important Electrical Grounding Information

**▲WARNING Hazardous voltage. Can shock, burn, or kill.** To reduce the risk of electrical shock during pump operation, ground and bond the pump and motor as follows:

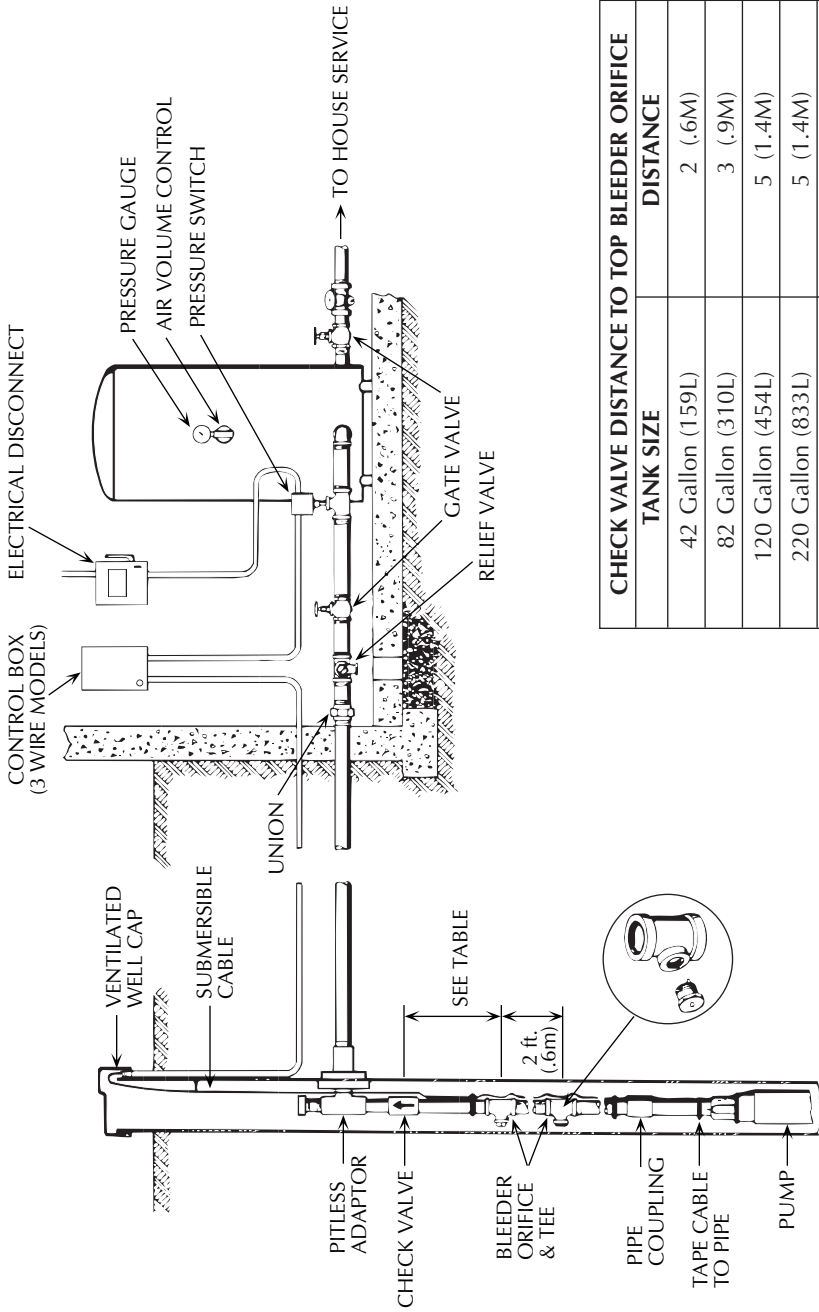
- To reduce risk of electrical shock from metal parts of the assembly other than the pump, bond together all metal parts accessible at the well head (including metal discharge pipe, metal well casing, and the like). Use a metal bonding conductor at least as large as the power cable conductors running down the well to the pump's motor.
- Clamp or weld (or both if necessary) this bonding conductor to the grounding means provided with the pump, which will be the equipment-grounding terminal, the grounding conductor on the pump housing, or an equip-ment-grounding lead. The equipment-grounding lead, when provided, will be the conductor having green insulation; it may also have one or more yellow stripes.
- Ground the pump, motor, and any metallic conduit that carries power cable conductors. Ground these back to the service by connecting a copper conductor from the pump, motor, and conduit to the grounding screw provided within the supply-connection box wiring compartment. This conductor must be at least as large as the circuit conductors supplying the pump

**Save these instructions.**



Cut-In PSI	Cut-Off PSI	Pre-charge Pressure
20 (138 kPa)	40 (276 kPa)	18 PSI (124 kPa)
30 (207 kPa)	50 (345 kPa)	28 PSI (193 kPa)
40 (276 kPa)	60 (414 kPa)	38 PSI (262 kPa)

FIGURE 14 – Typical Submersible Installation with Pre-charged Tank



CHECK VALVE DISTANCE TO TOP BLEEDER ORIFICE	
TANK SIZE	DISTANCE
42 Gallon (159L)	2 (.6M)
82 Gallon (310L)	3 (.9M)
120 Gallon (454L)	5 (1.4M)
220 Gallon (833L)	5 (1.4M)
315 Gallon (1192L)	10 (3.0M)
525 Gallon (1987L)	15 (4.6M)

FIGURE 15 – Standard Pressure Tank Installation

## TROUBLESHOOTING GUIDE

PROBLEM	CHECK	CORRECTIVE ACTION
<p><b>Motor will not start but fuses do not blow</b> No voltage</p>	<p>No voltage at fuse box. No voltage at control box.</p> <p>No voltage at pressure switch</p> <p>No voltage on load side of pressure switch. Cable or splices bad. Control box incorrectly wired.</p>	<p>Consult power supplier, check generator. Check connections, rewire from fuse box to control box.</p> <p>Check connections, replace control box, rewire from control box to pressure switch. Check connections, replace pressure switch.</p> <p>Consult serviceman or licensed electrician. Reconnect control box correctly (see wiring diagrams, Pages 15 through 19).</p>
<p><b>Fuses blow or overload protector trips when motor starts</b> Wrong size fuse or wrong size time delay fuse. Wire size too small</p> <p>Starting capacitor defective or blown. Low or high voltage</p> <p>Cable leads not correctly connected to control box.</p> <p>Broken wire in control box. Pump or motor stuck or binding.</p>	<p>Check fuse size against charts, Pages 4–6, 10. Check wire size against charts, Pages 4, 5, 7, 11, and 12. Check control box to see if starting capacitor has blown out. Check that line voltage is within <math>\pm 10\%</math> of nameplate rated voltage while motor is running. Check control box wiring diagram against incoming power hookup. Check drop cable color coding.</p> <p>Examine all connections and wiring in control box. Check for locked rotor in pump.</p>	<p>Install correct fuse or time delay fuse.</p> <p>Install correct size wire.</p> <p>Replace starting capacitor.</p> <p>If voltage variation is greater than <math>\pm 10\%</math>, call power company to adjust voltage.</p> <p>Reconnect leads to match wiring diagram in control box cover. Reconnect drop cable so cable color code matches motor lead color code. Disconnect power and repair or replace faulty wire. If necessary, pull pump (make all possible above ground checks first). If pump is locked, replace it. Clean well of all sand or lime before reinstalling pump.</p>
<p><b>Fuses blow or overload protector trips when motor is running</b> Low or high voltage.</p> <p>High ambient (atmospheric temperature) Control box with wrong voltage or horsepower rating.</p> <p>Wire size too small</p> <p>Cable splices or motor leads grounded, shorted, or open.</p>	<p>Check that line voltage is within <math>\pm 10\%</math> of rated nameplate voltage while motor is running. Check temperature of control box.</p> <p>Compare voltage and horsepower on motor nameplate with those given on control box nameplate or on circuit diagram inside control box cover. Check wire size against charts, Pages 4, 5, 7, 11, and 12. Consult licensed electrician or qualified serviceman.</p>	<p>If voltage variation is more than <math>\pm 10\%</math>, call power company to adjust voltage.</p> <p>Do not mount control box in direct sunlight.</p> <p>Replace control box if numbers do not match.</p> <p>Install correct wire size.</p> <p>Do not attempt to disassemble pump or motor.</p>

## TROUBLESHOOTING GUIDE (cont.)

PROBLEM	CHECK	CORRECTIVE ACTION
<p><b>Pump starts too frequently</b> Leaks in system.</p> <p>Pressure switch.</p> <p>Tank waterlogged.</p> <p>Leak in drop pipe.</p> <p>Pressure switch too far from tank.</p>	<p>Check all tank connections with soapsuds for air leaks. Check plumbing for leaks.</p> <p>Check for defective switch or switch out of adjustment.</p> <p>Pre-charged tanks; check tank pre-charge air pressure, check for leak in bladder.</p> <p>Air over water tanks: check for air leaks. Check Air Volume Control (AVC). Check snifter valve operation.</p> <p>Raise drop pipe one length at a time until water stands in pipe.</p> <p>Measure distance from pressure switch to tank.</p>	<p>System must be air and water tight.</p> <p>Re-adjust or replace pressure switch.</p> <p>Pre-charge tanks: adjust air pressure to 2 PSI (13.8 kPa) less than pump cut-in pressure (when there is no water pressure on system). Replace bladder if necessary.</p> <p>Air over water tanks: repair or replace tanks; replace snifter valves if necessary.</p> <p>Replace pipe above that point.</p> <p>Move switch to within one foot (.3M) of tank.</p>
<p><b>Little or no water delivered</b> Bleeder orifice check valve stuck or installed backwards (standard tank only). Low water level.</p> <p>Low voltage.</p> <p>Plugged intake screen. Check valve at pump discharge stuck. Worn impellers and diffusers.</p>	<p>Examine valve.</p> <p>Determine lowest water level in well while pump is running and compare to pump depth setting.</p> <p>Check voltage at control box with pump running. Check incoming wire size and drop cable size against charts, Pages 4, 5, 7, 11, and 12.</p> <p>Pull pump and check condition of screen.</p> <p>Pull pump and examine check valve.</p> <p>Make sure system is clear of obstructions and pump is in solid water and operation normally.</p>	<p>If stuck, free valve; if installed backwards, reverse it.</p> <p>Lower pump further into well (but at least 5' (1.6M) above bottom of well). Throttle pump discharge until discharge equals recovery rate of well. <b>NOTICE:</b> Running pump while airlocked can cause loss of prime and seriously damage pump.</p> <p>Install larger wire from meter to control box. Install larger wire from control box to pump. If necessary, have power company raise supply voltage.</p> <p>Clean or replace as necessary.</p> <p>Free check valve.</p> <p>Replace pump.</p>
<p><b>Air or milky water discharge from faucets</b> Gas in well water.</p> <p>Air volume control not working (standard tanks only).</p>	<p>Check for presence of gas in well water.</p> <p>Make sure ports and ball check valves are clear.</p>	<p>Remove bleeder orifices; plug tees. Be sure plugged tees do not leak. If necessary, separate gas from air before it enters pressure tank.</p> <p>Replace control if necessary.</p>

## LIMITED WARRANTY

PENTAIR WATER warrants to the original consumer purchaser ("Purchaser" or "You") of the products listed below, that they will be free from defects in material and workmanship for the Warranty Period shown below.

<b>Product</b>	<b>Warranty Period</b>
Water Systems Products — jet pumps, small centrifugal pumps, submersible pumps and related accessories	<i>whichever occurs first:</i> 12 months from date of original installation, or 18 months from date of manufacture

Our warranty will not apply to any product that, in our sole judgement, has been subject to negligence, misapplication, improper installation, or improper maintenance. Without limiting the foregoing, operating a three phase motor with single phase power through a phase converter will void the warranty. Note also that three phase motors must be protected by three-leg, ambient compensated, extra-quick trip overload relays of the recommended size or the warranty is void.

Your only remedy, and PENTAIR WATER's only duty, is that PENTAIR WATER repair or replace defective products (at PENTAIR WATER's choice). You must pay all labor and shipping charges associated with this warranty and must request warranty service through the installing dealer as soon as a problem is discovered. No request for service will be accepted if received after the Warranty Period has expired. This warranty is not transferable.

PENTAIR WATER SHALL NOT BE LIABLE FOR ANY CONSEQUENTIAL, INCIDENTAL, OR CONTINGENT DAMAGES WHATSOEVER.

THE FOREGOING WARRANTIES ARE EXCLUSIVE AND IN LIEU OF ALL OTHER EXPRESS AND IMPLIED WARRANTIES, INCLUDING BUT NOT LIMITED TO THE IMPLIED WARRANTIES OF MERCHANTABILITY AND FITNESS FOR A PARTICULAR PURPOSE. THE FOREGOING WARRANTIES SHALL NOT EXTEND BEYOND THE DURATION EXPRESSLY PROVIDED HEREIN.

Some states do not allow the exclusion or limitation of incidental or consequential damages or limitations on the duration of an implied warranty, so the above limitations or exclusions may not apply to You. This warranty gives You specific legal rights and You may also have other rights which vary from state to state.

This warranty supersedes and replaces all previous warranty publications.

**PENTAIR WATER**  
**293 Wright St., Delavan, WI 53115**



# NOTICE D'UTILISATION

## INSTRUCTIONS D'INSTALLATION ET DE FONCTIONNEMENT

Brevet américain n° 5,133,639

### POMPES SUBMERSIBLES DE 4 POUCES

Moteurs bifilaires et trifilaires

Monophasés et triphasés

Puissance de 1/2 à 7-1/2 CH

60 Hz

Sur les lignes qui suivent, indiquer les informations suivantes qui se trouvent sur les plaques signalétiques du moteur et de la pompe de façon à pouvoir s'y reporter ultérieurement :

N° de modèle de la pompe

---

N° de série de la pompe

---

N° de modèle du moteur

---

N° de série du moteur

---


Puissance en CH Volts/Hz/Phase(s)

---


Débit nominal en ampères


---


**Lire attentivement toutes les consignes de sécurité contenues dans cette Notice ou collées sur la pompe et les observer scrupuleusement.**

 **Ce symbole indique qu'il faut être prudent.**

Lorsque ce symbole apparaît sur la pompe ou dans cette Notice, recherchez une des mises en garde qui suivent, car elles indiquent un potentiel possible de blessures corporelles.


 **DANGER** avertit d'un danger **qui causera** des blessures corporelles, la mort ou des dommages matériels importants si on l'ignore.


 **AVERTISSEMENT** avertit d'un danger **qui risque** de causer des blessures corporelles, la mort ou des dommages matériels importants si on l'ignore.


 **ATTENTION** avertit d'un danger **qui causera** ou **qui risquera** de causer des blessures corporelles, la mort ou des dommages matériels importants si on l'ignore.


Le mot **REMARQUE** indique des instructions spéciales et importantes n'ayant aucun rapport avec les dangers.


**Pour éviter des blessures corporelles graves, voire mortelles, et toute possibilité de causer des dommages matériels, lire attentivement les consignes de sécurité qui suivent et les observer.**


1.  **AVERTISSEMENT** **Pression dangereuse. Dans certaines conditions, les pompes submersibles peuvent développer des pressions extrêmement élevées. Poser une soupape de décharge pouvant laisser passer tout le débit de la pompe à une pression de 517 kPa (75 lb/po<sup>2</sup>). Dans le cas d'un réservoir préchargé, poser une soupape de décharge pouvant laisser passer tout le débit de la pompe à une pression de 690 kPa (100 lb/po<sup>2</sup>).**


 **Ne pas laisser geler la pompe, le réservoir sous pression, les tuyauteries ou tout autre composant du système contenant de l'eau. Le gel risque d'endommager le système et de causer des blessures ou une inondation. Si la pompe ou les composants du système gèlent, la garantie sera annulée.**

2.  **AVERTISSEMENT** **Tension dangereuse. Risque de secousses électriques, de brûlures, voire de mort. Pour éviter toute possibilité de secousses électriques graves ou mortelles, n'utiliser la pompe que dans un puits.**

 **AVERTISSEMENT** **Risque d'électrocution dangereuse, voire mortelle.** Ne pas installer cette pompe dans un étang, une rivière ni dans une masse d'eau à l'air libre dans lesquels des personnes pourraient nager ou s'amuser. Ne pas nager, patauger ni jouer dans une masse d'eau à l'air libre dans laquelle une pompe submersible est installée.

 **L'installation doit être conforme au National Electrical Code des États-Unis, au Code canadien de l'électricité et aux codes de la municipalité (selon le cas) relatifs à tous les câblages.**

 **Avant d'installer la pompe ou d'intervenir sur la pompe, couper le courant qui l'alimente.**

 **S'assurer que la tension de secteur et que la fréquence du courant secteur correspondent à la tension et à la fréquence indiquées sur la plaque signalétique du moteur.**

3. Installer la pompe conformément à tous les codes relatifs à la plomberie, aux puits et aux pompes.

4. Avant d'utiliser un puits, faire analyser son eau pour en connaître sa pureté. Appeler le bureau local du

Ministère de la santé sur la façon de faire procéder à cette analyse.

5. Pendant l'installation, garder le puits le mieux couvert possible pour empêcher que des corps étrangers et que des feuilles tombent dedans. Si des corps étrangers tombent dans le puits, ils risquent de contaminer l'eau et de causer de graves dommages mécaniques à la pompe.

6. De la pâte d'étanchéité pour raccords filetés risque de fissurer les plastiques. Il faut donc n'utiliser que du ruban téflon pour rendre étanches les tuyaux en plastique ou pour raccorder les tuyaux en plastique sur les pompes thermoplastiques.

## TABLE DES MATIÈRES

Consignes de sécurité .....	29
Avant l'installation .....	29
Électricité - Généralités .....	29-46
Série PENTEK XE .....	31-32
Série PENTEK T (monophasé and triphasé) .....	33-35
Franklin .....	36-39
Schémas de câblage .....	40-46
Installation .....	47-48
Mise en marche initiale .....	48-49
Pompage des eaux résiduaires .....	49
Raccordement sur le réseau d'eau ou le réservoir .....	49-51
Guide de diagnostic .....	52-53
Garantie .....	54

## AVANT L'INSTALLATION

Inspecter la pompe et le moteur pour s'assurer qu'ils n'ont pas été endommagés pendant le transport. Reporter immédiatement tout dommage au transporteur ou au marchand.

Le foreur du puits devra débarrasser complètement le puits de toutes les petites particules de sable et de corps étrangers avant que la pompe puisse être installée.


Les débits de la pompe sont basés sur le pompage d'eau à l'état liquide, froide et ne contenant pas d'air.

La garantie sera nulle et non avenue dans les cas suivants :

- Si la pompe a pompé une quantité excessive de sable, ce dernier pouvant causer une usure prématurée de la pompe.
- Si l'eau est corrosive.
- Si de l'air ou des gaz entraînés sont présents dans l'eau pompée, ces derniers pouvant diminuer le débit et causer la cavitation de la pompe, ce qui risque de l'endommager.
- Si la pompe a fonctionné alors que le robinet de refoulement était fermé, elle subira de graves dommages internes.

Installer la pompe à au moins 4,50 à 6 mètres (15 à 20 pieds) sous le niveau de l'eau le plus bas atteint pendant que la pompe fonctionne (niveau le plus bas admis de l'eau dans le puits) et à au moins 1,50 mètre (5 pieds) du fond du puits.

## CÂBLAGE ET MISE À LA TERRE :

 **AVERTISSEMENT** **Tension dangereuse. Risque de secousses électriques, de brûlures, voire de mort. Avant de faire parvenir le courant électrique au moteur, mettre, en permanence à la terre, la pompe, le moteur et la boîte de commande.**

Mettre à la terre la pompe et le moteur conformément aux codes et aux décrets de la municipalité. Pour la mise à la terre, utiliser un fil en cuivre dont le diamètre sera au moins aussi gros que le diamètre des conducteurs du câble branché sur le moteur.

Le moteur est livré avec un fil de mise à la terre en cuivre. Épisser ce fil de mise à la terre sur un conducteur de cuivre ayant le même calibre que le fil du moteur, comme il est spécifié dans les tableaux de calibre du fil aux pages 31, 32, 34, 38 et 39. Se reporter aux pages 47 et 48 pour connaître les différentes méthodes d'épissier les câbles.

Avant de brancher le câble sur l'alimentation en courant, mettre en permanence à la terre la pompe, le moteur et la boîte de commande. Brancher tout d'abord le fil de terre sur une mise à la terre, puis brancher l'équipement qu'on installe.

**Ne pas brancher le fil de mise à la terre sur une canalisation de gaz.**



**Danger d'incendie et de secousses électriques. Si le calibre des conducteurs du câble branché entre la pompe et la boîte de commande est d'un plus gros calibre que n° 10 (5,5 mm<sup>2</sup>) (fil n° 8 (8,4 mm<sup>2</sup>), par exemple), brancher le câble sur une boîte de jonction séparée. Brancher ensuite la boîte de jonction sur la boîte de commande à l'aide d'un câble à conducteurs de calibre n° 10 (5,5 mm<sup>2</sup>).**

**Pour de plus amples renseignements, s'adresser aux autorités municipales compétentes.**

## CONNEXIONS DU CÂBLAGE :

Tout le câblage doit être conforme au National Electrical Code des États-Unis, au Code canadien de l'électricité et aux codes de la municipalité (selon le cas).

N'utiliser que du fil en cuivre pour les connexions sur la pompe et sur la boîte de commande.

Pour que les fils ne surchauffent pas et pour empêcher toute chute excessive de tension côté moteur, s'assurer, en fonction de la puissance de la pompe et de la longueur des fils, que le diamètre des fils est au moins aussi gros que le diamètre des fils, indiqué dans le Tableau V.

**REMARQUE :** Se reporter aux pages 42 à 46 pour le branchement type des fils et la sélection des boîtes de commande.

**REMARQUE :** Lorsqu'un dispositif de protection thermique n'est pas fourni, poser une commande de moteur approuvée protégée contre les surcharges et correspondant à l'intensité en ampères à pleine charge à l'entrée du moteur. Choisir ou régler le ou les composants de protection contre les surcharges conformément aux instructions livrées avec la commande. Lorsqu'un dispositif de protection thermique incorporé est fourni, utiliser une commande de moteur approuvée correspondant à l'intensité en ampères à pleine charge à l'entrée du moteur.

## Rotation – (Moteurs triphasés seulement)

Pour s'assurer que le moteur tourne dans le bon sens, procéder prudemment comme suit :

Après avoir procédé aux connexions électriques comme il est indiqué dans cette Notice, et pendant que le moteur est dans le puits et qu'elle est supportée par la bride du tuyau de refoulement, fermer momentanément l'interrupteur raccordant le moteur au courant secteur, puis le rouvrir. Remarquer le sens dans lequel la pompe est secouée lorsque le moteur démarre. Si les connexions sont bien faites, l'à-coup de la pompe se fera à droite au démarrage du moteur lorsqu'on fait face au refoulement de la pompe. Si l'à-coup se fait à gauche, le moteur tourne dans le mauvais sens. Pour remédier à cet incident, inverser les connexions des conducteurs du câble sur les bornes du démarreur magnétique. Les connexions étant bien faites et la pompe étant abaissée dans l'eau, fermer

de nouveau momentanément l'interrupteur, puis le rouvrir. Le débit de la pompe doit être conforme aux tableaux des débits.

## PROTECTION CONTRE LES SURCHARGES DES MOTEURS SUBMERSIBLES TRIPHASÉS - PROTECTION DE CLASSE 10 REQUISE

Les caractéristiques des moteurs submersibles sont différentes de celles des moteurs standard. Une protection spéciale contre les surcharges est donc requise.

Si le moteur cale, le protecteur contre les surcharges doit pouvoir se déclencher dans les 10 secondes qui suivent de façon à protéger les enroulements du moteur. Toutes les sélections des protecteurs contre les surcharges recommandés sont du type à température compensée ambiante, ce qui permet de toujours avoir une protection adéquate, que la température ambiante soit élevée ou basse.

Tous les réchauffeurs et tous les réglages indiqués sont basés sur l'intensité totale en ampères de la tension de secteur. Si un moteur à six fils est utilisé avec un démarreur étoile-triangle, diviser les ampères du moteur par 1,732 pour sélectionner ou régler les ampères de la phase portante des réchauffeurs.

Se reporter au Tableau VII pour les protections concernant les surcharges des moteurs PENTEK

**REMARQUE :** La garantie des moteurs triphasés submersibles est nulle et non avenue si une protection à déclenchement rapide adéquate n'est pas installée sur les trois lignes du moteur.

## PARASURTENSEUR CÂBLÉS SUR LES BOÎTES DE COMMANDE

**Mise à la terre : Si la boîte de commande est dotée d'un parasurtenseur, ce parasurtenseur DOIT être mis à la terre, métal sur métal, jusqu'à la couche encaissante de l'eau, pour que le protecteur contre les sautes de tension soit efficace. Mettre à la terre le protecteur contre les sautes de tension sur une tige enfoncée dans la terre n'offre que très peu de protection du moteur, sinon aucune.**

**REMARQUE :** Les protecteurs contre les sautes de tension NE protègent PAS contre les coups de foudre directs.

Poser un protecteur contre les sautes de tension mis à la terre pour protéger la pompe contre les surtensions.

Installer le protecteur contre les sautes de tension sur le courant secteur alimentant la boîte de commande ou le manostat, aussi près que possible du moteur de la pompe. Se reporter aux Figures 1 et 2 pour les schémas de câblage de l'installation des protecteurs contre les sautes de tension.

**REMARQUE :** Mettre le protecteur contre les sautes de tension à la terre à l'aide d'un fil nu de calibre n° 10 ou plus gros. Procéder à la mise à la terre conformément aux codes de la municipalité.

**REMARQUE :** S'il est contraire aux codes de l'électricité de la municipalité de câbler les protecteurs contre les sautes de tension sur la boîte de commande, s'adresser à la compagnie d'électricité pour de plus amples renseignements concernant le câblage.

## Série de moteurs PENTEK XE, boîte à commande du moteur submersible et des caractéristiques des fusibles et des fils

**TABLEAU I-CSIR : Calibres recommandés des fusibles – Série PENTEK XE, moteurs trifilaires monophasés de 60 Hz avec induction des pompes submersibles**

CH	Volts/Hz/Phase	Résistance de l'enroulement des moteurs- En ohms		Intensité maximale avec facteur de surcharge	Ampères du rotor bloqué	Calibre des fusibles standard/ A élément double
		R sur J	N sur J			
1/2	115/60/1	5,7-7,0	0,9-1,6	12,6	49,6	30/20/30
1/2	230/60/1	17,4-18,7	4,2-4,9	6,3	22,3	15/10/15
3/4	230/60/1	11,8-13,0	2,6-3,6	8,3	32,0	20/10/20
1	230/60/1	11,3-12,3	2,2-3,2	9,7	41,2	25/15/25

**TABLEAU I-CSCR : Calibres recommandés des fusibles – Série PENTEK XE, moteurs de pompes submersibles, trifilaires, monophasés, fonctionnant avec un condensateur**

CH	Volts/Hz/Phase	Résistance de l'enroulement des moteurs- En ohms		Intensité maximale avec facteur de surcharge	Ampères du rotor bloqué	Calibre des fusibles standard/ A élément double
		R sur J	N sur J			
1/2	230/60/1	17,4-18,7	4,2-4,9	4,9	22,3	15/10/10
3/4	230/60/1	11,8-13,0	2,6-3,6	6,3	32,0	20/10/15
1	230/60/1	11,3-12,3	2,2-3,2	7,2	41,2	20/10/15
1-1/2	230/60/1	7,9-8,7	1,6-2,3	11,1	47,8	30/15/25
2	230/60/1	10,8-12,0	1,6-2,2	12,2	49,4	30/20/25
3	230/60/1	2,0-2,5	1,1-1,4	16,5	76,4	45/25/40
5	230/60/1	1,36-1,66	0,62-0,76	27	101,0	70/40/60

**TABLEAU III-CSIR : Longueur des fils de cuivre, EN PIEDS (branchement de service vers moteur) capacitance au démarrage, fonctionnement par induction**  
**Moteurs de la série PENTEK XE : monophasé, trifilaire, 60 Hz, calibre du fil AWG**

Trifilaire, en pieds	CH	Volt	Calibre du fil, AWG, longueur du fil en pieds										
			14	12	10	8	6	4	3	2	1	0	00
			0,5	115	87	138	221	349	544	867	1090	1376	1734
0,5	230	348	553	883	1398	2175	3467	4359	5505	6935	8753		
0,75	230	264	420	670	1061	1651	2632	3309	4178	5264	6644	8383	
1	230	226	359	573	908	1413	2252	2831	3575	4504	5685	7173	

**TABLEAU III-CSCR : Longueur des fils de cuivre, EN PIEDS (branchement de service vers moteur) capacitance au démarrage et en marche**

**Moteurs de la série PENTEK XE : monophasé, trifilaire, 60 Hz, calibre du fil AWG**

Trifilaire, en pieds	CH	Volt	Calibre du fil, AWG, longueur du fil en pieds										
			14	12	10	8	6	4	3	2	1	0	00
			0,5	230	447	711	1135	1797	2796	4458	5604	7078	8916
0,75	230	348	553	883	1396	2175	3467	4359	5505	6935	8753	11044	
1	230	304	484	772	1223	1903	3034	3814	4817	6068	7659	9663	
1,5	230	197	314	501	793	1234	1968	2474	3124	3936	4968	6268	
2	230	180	286	456	722	1123	1790	2251	2843	3581	4520	5703	
3	230	133	211	337	534	830	1324	1664	2102	2648	3342	4217	
5	230			206	326	507	809	1017	1284	1618	2042	2577	

**TABLEAU III-2W : Longueur des fils de cuivre, EN PIEDS (branchement de service vers moteur) bifilaire**  
**Moteurs de la série PENTEK XE : monophasé, bifilaire, 60 Hz, calibre du fil AWG**

Bifilaire, en pieds	CH	Volt	Calibre du fil, AWG, longueur du fil en pieds										
			14	12	10	8	6	4	3	2	1	0	00
			0,5	115	115	183	293	463	721	1150	1445	1825	2299
0,5	230	466	742	1183	1874	2915	4648	5843	7379	9295	11733	14803	
0,75	230	342	545	869	1376	2141	3413	4291	5419	6826	8617	10871	
1	230	241	383	611	968	1506	2400	3018	3811	4801	6060	7646	
1,5	230	199	317	505	801	1246	1986	2496	3153	3972	5013	6325	

**TABLEAU II : Calibres recommandés des fusibles – Série PENTEK XE, moteurs bifilaires, monophasés de 60 Hz des pompes submersibles**

CH	Volts/Hz/Phase	Résistance de l'enroulement des moteurs- En ohms	Intensité maximale avec facteur de surcharge	Ampères du rotor bloqué	Calibre des fusibles standard/ A élément double
1/2	115/60/1	1.3-1.8	9.5	36.4	25/15/20
1/2	230/60/1	4.5-5.2	4.7	19.5	15/10/10
3/4	230/60/1	3.0-4.8	6.4	24.8	20/10/15
1	230/60/1	4.2-5.2	9.1	21.7	25/15/20
1-1/2	230/60/1	1.9-2.3	11.0	42.0	30/15/25

REMARQUE : les fils des moteurs bifilaires ne sont pas codés par couleur. La protection contre les surcharges est logée dans le moteur et ne peut pas être contrôlée hors terre.

REMARQUE : Les calibres indiqués sont ceux de fils de cuivre. Dans le cas de fils d'aluminium, utiliser deux numéros de calibre plus gros. Par exemple, si le tableau stipule d'utiliser des fils de cuivre de calibre n°12 (de 3 mm<sup>2</sup>), utiliser des fils d'aluminium de calibre n°10 (de 5 mm<sup>2</sup>). Utiliser un inhibiteur d'oxydation sur les connexions.

**TABLEAU III-M-CSIR : Longueur des fils de cuivre, en MÈTRES (branchement de service vers moteur) capacitance au démarrage, fonctionnement par induction**

**Moteurs de la série PENTEK XE : monophasé, trifilaire, 60 Hz, calibre du fil AWG**

Trifilaire, en mètres	CH	Volt	Calibre du fil, AWG, longueur du fil en mètres										
			14	12	10	8	6	4	3	2	1	0	00
0,5	115		27	42	67	107	166	264	332	419	528	667	842
0,5	230		106	169	269	426	663	1057	1329	1678	2114	2668	
0,75	230		80	128	204	323	503	802	1008	1274	1604	2025	2555
1	230		69	110	175	277	431	686	863	1090	1373	1733	2186

**TABLEAU III-M-CSCR : Longueur des fils de cuivre, en MÈTRES (branchement de service vers moteur) capacitance au démarrage et en marche**

**Moteurs de la série PENTEK XE : monophasé, trifilaire, 60 Hz, calibre du fil AWG**

Trifilaire, en mètres	CH	Volt	Calibre du fil, AWG, longueur du fil en mètres										
			14	12	10	8	6	4	3	2	1	0	00
0,5	230		136	217	346	548	852	1359	1708	2157	2718	3430	
0,75	230		106	169	269	426	663	1057	1329	1678	2114	2668	3366
1	230		93	148	235	373	580	925	1163	1468	1849	2335	2945
1,5	230		60	96	153	242	376	600	754	952	1200	1514	1910
2	230		55	87	139	220	342	546	686	866	1091	1378	1738
3	230		40	64	103	163	253	404	507	641	807	1019	1285
5	230				63	99	155	247	310	391	493	623	785

**TABLEAU III-M-2W : Longueur des fils de cuivre, en MÈTRES (branchement de service vers moteur) bifilaire**

**Moteurs de la série PENTEK XE : monophasé, bifilaire, 60 Hz, calibre du fil AWG**

Bifilaire, en mètres	CH	Volt	Calibre du fil, AWG, longueur du fil en mètres										
			14	12	10	8	6	4	3	2	1	0	00
0,5	115		35	56	89	141	220	350	441	556	701	885	1116
0,5	230		142	226	361	571	889	1417	1781	2249	2833	3576	4512
0,75	230		104	166	265	419	653	1040	1308	1652	2081	2626	3314
1	230		73	117	186	295	459	732	920	1162	1463	1847	2330
1,5	230		61	97	154	244	380	605	761	961	1211	1528	1928

**TABLEAU IV : Coordination du moteur/boîte de commande**

Moteur de la série XE N° de modèle (trifilaire)	CH	Volts/Hz/Ph	Type de commande de moteur submersible	
			CSIR	CSCR
P43B0005A1	1/2	115/60/1	SMC- R0511	–
P43B0005A2	1/2	230/60/1	SMC- R0521	SMC-CR0521
P43B0007A2	3/4	230/60/1	SMC- R0721	SMC-CR0721
P43B0010A2	1	230/60/1	SMC- R1021	SMC-CR1021
P43B0015A2	1-1/2	230/60/1	–	SMC-CR1521
P43B0020A2	2	230/60/1	–	SMC-CR2021

**REMARQUE :** Les moteurs de la série PENTEK XE avec des numéros de modèles qui commencent par « P42 » sont des moteurs bifilaires et n'utilisent pas une commande de moteur submersible.

**TABLE V: Calibres recommandés des fusibles – Série PENTEK XE, moteurs triphasés de 60 Hz des pompes submersibles**

CH	Volts/Hz/Phase	Résistance de l'enroulement des moteurs En ohms L to L	Intensité maximale avec facteur de surcharge	Ampères du rotor bloqué	Calibre des fusibles standard/A élément double
1/2	230/60/3	5,7-7,2	2,9	17	6/6/6
3/4	230/60/3	3,3-4,3	3,9	27	6/6/6
1	230/60/3	4,1-5,1	4,7	26	10/6/10
1-1/2	230/60/3	2,8-3,4	6,1	32	15/10/15
2	230/60/3	1,8-2,4	7,6	44	15/15/20
3	230/60/3	1,3-1,7	10,1	59	25/15/25
5	230/60/3	0,85-1,25	17,5	93	45/30/40
7-1/2	230/60/3	0,55-0,85	26,4	140	70/45/60
1/2	200/60/3	4,1-5,2	3,4	22	10/6/10
3/4	200/60/3	2,6-3,0	4,5	32	15/10/10
1	200/60/3	3,4-3,9	5,5	29	15/10/10
1-1/2	200/60/3	1,9-2,5	7,2	40	20/10/15
2	200/60/3	1,4-2,0	8,8	51	25/15/20
3	200/60/3	0,9-1,3	12,0	71	35/20/30
5	200/60/3	0,4-0,8	20,2	113	60/35/50
7-1/2	200/60/3	0,5-0,6	30,0	165	80/50/70
1/2	460/60/3	23,6-26,1	1,5	9	3/3/3
3/4	460/60/3	14,4-16,2	2,0	14	3/6/3
1	460/60/3	17,8-18,8	2,5	13	6/3/6
1-1/2	460/60/3	12,3-13,1	3,2	16	10/6/6
2	460/60/3	8,0-8,7	3,8	23	15/6/10
3	460/60/3	5,9-6,5	5,3	30	15/10/15
5	460/60/3	3,6-4,0	8,5	48	25/15/20
7-1/2	460/60/3	1,9-2,3	13,5	87	40/25/35
1-1/2	575/60/3	19,8-20,6	2,4	12	6/3/6
2	575/60/3	9,4-9,7	3,3	21	10/6/10
3	575/60/3	9,4-9,7	4,1	21	10/10/10
5	575/60/3	3,6-4,2	7,6	55	25/15/20
7-1/2	575/60/3	3,6-4,2	10,0	55	25/20/25

**TABLEAU VI-230 Volts: Longueur des fils de cuivre, en PIEDS (branchement de service vers moteur)**

**Moteurs de la série PENTEK XE : triphasé, 60 Hz, calibre du fil AWG**

Longueur en pieds	CH	Volts/Hz/Ph	Kw	Calibre du fil, AWG, longueur du fil en pieds												
				14	12	10	8	6	4	3	2	1	0	00		
1/2	230/60/3	0,37	645	1025	1635	2590	4030	6425								
3/4	230/60/3	0,55	562	894	1426	2258	3513	5601	7041							
1	230/60/3	0,75	466	742	1183	1874	2915	4648	5843	7379						
1-1/2	230/60/3	1,1	359	571	912	1444	2246	3581	4502	5685	7162	9040				
2	230/60/3	1,5	288	459	732	1159	1803	2874	3613	4563	5748	7256	9155			
3	230/60/3	2,2	217	345	551	872	1357	2163	2719	3434	4326	5460	6889			
5	230/60/3	3,7			318	503	783	1248	1569	1982	2496	3151	3976			
7-1/2	230/60/3	5,5				334	519	827	1040	1314	1655	2089	2635			

**TABLEAU VI-M-230 Volts: Longueur des fils de cuivre, en MÈTRES (branchement de service vers moteur)**

**Moteurs de la série PENTEK XE : triphasé, 60 Hz, calibre du fil AWG**

Longueur en mètres	CH	Volts/Hz/Ph	Kw	Calibre du fil, AWG, longueur du fil en mètres												
				14	12	10	8	6	4	3	2	1	0	00		
1/2	230/60/3	0,37	196	313	498	789	1228	1958								
3/4	230/60/3	0,55	171	272	435	688	1071	1797	2146							
1	230/60/3	0,75	142	226	361	571	889	1417	1781	2249						
1-1/2	230/60/3	1,1	110	174	278	440	685	1091	1372	1733	2183	2756				
2	230/60/3	1,5	88	140	223	353	550	876	1101	1391	1752	2212	2790			
3	230/60/3	2,2	66	105	168	266	414	659	829	1047	1318	1664	2100			
5	230/60/3	3,7			97	153	239	380	478	604	761	960	1212			
7-1/2	230/60/3	5,5				102	158	252	317	400	504	637	803			

**TABLEAU VI–200 Volts: Longueur des fils de cuivre, en PIEDS (branchement de service vers moteur)**

**Moteurs de la série PENTEK XE : 200V, triphasé, 60 Hz, calibre du fil AWG**

Longueur en pieds	CH	Volts/ Hz/Ph	Kw	Calibre du fil, AWG, longueur du fil en pieds												
				14	12	10	8	6	4	3	2	1	0	00		
1/2	200/60/3	0,37	560	892	1422	2252										
3/4	200/60/3	0,55	423	674	1074	1702	2648									
1	200/60/3	0,75	346	551	879	1392	2166	3454	4342							
1,5	200/60/3	1,1	265	421	672	1064	1655	2638	3317							
2	200/60/3	1,5	217	344	549	870	1354	2158	2714	3427	4317	5449				
3	200/60/3	2,2	159	253	403	638	993	1583	1990	2513	3166	3996				
5	200/60/3	3,7	94	150	239	379	590	940	1182	1493	1881	2374	2995			
7,5	200/60/3	5,5	64	101	161	255	397	633	796	1005	1266	1598	2017			

**TABLEAU VI–M–200 Volts: Longueur des fils de cuivre, en MÈTRES (branchement de service vers moteur)**

**Moteurs de la série PENTEK XE : 200V, triphasé, 60 Hz, calibre du fil AWG**

Longueur en mètres	CH	Volts/ Hz/Ph	Kw	Calibre du fil, AWG, longueur du fil en mètres												
				14	12	10	8	6	4	3	2	1	0			
1/2	200/60/3	0,37	171	272	433	686										
3/4	200/60/3	0,55	129	205	327	519	807									
1	200/60/3	0,75	106	168	268	424	660									
1,5	200/60/3	1,1	81	128	205	324	504									
2	200/60/3	1,5	66	105	167	265	413	658								
3	200/60/3	2,2	48	77	123	195	303	482								
5	200/60/3	3,7	29	46	73	116	180	287	360							
7,5	200/60/3	5,5	19	31	49	78	121	193	243	306	386	487				

**TABLEAU VI–460 Volts: Longueur des fils de cuivre, en PIEDS (branchement de service vers moteur)**

**Moteurs de la série PENTEK XE : 460V, triphasé, 60 Hz, calibre du fil AWG**

Longueur en pieds	CH	Volts/ Hz/Ph	Kw	Calibre du fil, AWG, longueur du fil en pieds									
				14	12	10	8	6	4	3	2		
1/2	460/60/3	0,37	2922	4648	7414								
3/4	460/60/3	0,55	2191	3486	5560	8806							
1	460/60/3	0,75	1753	2789	4448	7045							
1,5	460/60/3	1,1	1370	2179	3475	5504							
2	460/60/3	1,5	1153	1835	2926	4635	7212						
3	460/60/3	2,2	827	1315	2098	3323	5171						
5	460/60/3	3,7	516	820	1308	2072	3224	5140					
7,5	460/60/3	5,5	325	516	824	1305	2030	3236	4068	5138			

**TABLEAU VI–M–460 Volts: Longueur des fils de cuivre, en MÈTRES (branchement de service vers moteur)**

**Moteurs de la série PENTEK XE : 460V, triphasé, 60 Hz, calibre du fil AWG**

Longueur en mètres	CH	Volts/ Hz/Ph	Kw	Calibre du fil, AWG, longueur du fil en mètres									
				14	12	10	8	6	4	3	2		
1/2	460/60/3	0,37	891	1417	2260								
3/4	460/60/3	0,55	668	1063	1695	2684							
1	460/60/3	0,75	534	850	1356	2147							
1,5	460/60/3	1,1	417	664	1059	1678							
2	460/60/3	1,5	352	559	892	1413	2198						
3	460/60/3	2,2	252	401	640	1013	1576						
5	460/60/3	3,7	157	250	399	632	983	1567					
7,5	460/60/3	5,5	99	157	251	398	619	986	1240	1566			

**TABLEAU VI-575 Volts: Longueur des fils de cuivre, en PIEDS (branchement de service vers moteur)**

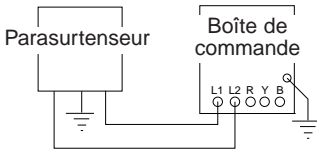
**Moteurs de la série PENTEK XE : 575V, triphasé, 60 Hz, calibre du fil AWG**

Longueur en pieds	CH	Volts/ Hz/Ph	Kw	Calibre du fil, AWG, longueur du fil en pieds				
				14	12	10	8	6
1,5	575/60/3	1,1	2283	3631	5792			
2	575/60/3	1,5	1660	2641	4212	6671		
3	575/60/3	2,2	1336	2126	3390	5370		
5	575/60/3	3,7	721	1147	1829	2897	4507	
7,5	575/60/3	5,5	548	871	1390	2202	3426	

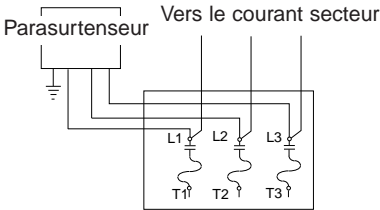
**TABLEAU VI-M-575 Volts: Longueur des fils de cuivre, en MÈTRES (branchement de service vers moteur)**

**Moteurs de la série PENTEK XE : 575V, triphasé, 60 Hz, calibre du fil AWG**

Longueur en mètres	CH	Volts/ Hz/Ph	Kw	Calibre du fil, AWG, longueur du fil en mètres				
				14	12	10	8	6
1,5	575/60/3	1,1	696	1107	1765			
2	575/60/3	1,5	506	805	1284	2033		
3	575/60/3	2,2	407	648	1033	1637		
5	575/60/3	3,7	220	350	557	883	1374	
7,5	575/60/3	5,5	167	266	424	671	1044	



**FIGURE 1 – Parasurtenseur trifilaire monophasé de 230 volts**



**FIGURE 2 – Parasurtenseur triphasé (650 volts maximum)**

### REMARQUES SE RAPPORTANT AU TABLEAU III et VI :

1. Les calibres indiqués sont ceux de fils de cuivre. Dans le cas de fils d'aluminium, utiliser deux numéros de calibre plus gros. Par exemple, si le tableau stipule d'utiliser des fils de cuivre de calibre n°12 (de 3 mm<sup>2</sup>), utiliser des fils d'aluminium de calibre n°10 (de 5 mm<sup>2</sup>). Utiliser un inhibiteur d'oxydation sur les connexions.
2. Pour un fonctionnement fiable des démarreurs triphasés, la longueur du fil entre le démarreur et l'entrée du service ne doit pas dépasser 25 % de la longueur totale des fils.



**TABLEAU VII : – Protection contre les surcharges - Moteurs PENTEK triphasés de 60 Hz et de 4 pouces**

CH	kW	Volts	Calibre des démarreurs NEMA	Réchauffeurs de relais de surcharge			Relais réglables (Remarque D)	
				Furnas (Remarque A)	Allen Bradley (Remarque B)	GE (Remarque C)	Réglés à :	Max.
1,5	1,1	230	00	K39	J21	L680A	5,5	5,9
		460	00	K29	J15	L343A	2,8	3,0
		575	00	K26	J12	L282A	2,2	2,4
2	1,5	230	0	K49	J25	L910A	7,5	8,1
		460	00	K33	J18	L463A	3,8	4,1
		575	00	K29	J15	L380A	3,0	3,2
3	2,2	230	0	K52	J28	L122B	10,1	10,9
		460	0	K37	J21	L618A	5,1	5,5
		575	0	K34	J19	L510A	4,1	4,4
5	3,7	230	1	K61	J33	L199B	16,6	17,8
		460	0	K49	J26	L100B	8,3	8,9
		575	0	K42	J23	L825A	6,6	7,1
7-1/2	5,5	230	1	K67	J37	L293B	24,6	26,4
		460	1	K55	J30	L147B	12,3	13,2
		575	1	K52	J28	L122B	9,9	10,6
10	7,5	460	1	K61	J33	L220B	17,5	18,8
		575	1	K57	J31	L181B	14,0	15,0

## REMARQUES RELATIVES AU TABLEAU VII :

**REMARQUE A :** Les calibres intermédiaires Furnas, entre les puissances de démarreur NEMA, s'appliquent lorsque (1) est indiqué dans le tableau. Le calibre 1 3/4 remplaçant 2; 2 1/2 remplaçant 3; 3 1/2 remplaçant 4 et 4 1/2 remplaçant 5. Les réchauffeurs ont été sélectionnés à partir du catalogue 294, Tableaux 332 et 632 (démarreurs de puissance 00 et B). Les démarreurs de puissance 4 sont dotés d'un réchauffeur du type 4 (JG). Les démarreurs dotés de réchauffeur et mentionnés dans ces tableaux comprennent les catégories 14, 17 et 18 (INNOVA), les catégories 36 et 37 (tension réduite) et les catégories 87, 88 et 89 (centre de commande des pompes et des moteurs). Ne pas régler les relais de surcharge au-delà de 100 %, à moins que ces réglages soient indispensables pour arrêter les déclenchements intempestifs lorsque l'intensité en ampères mesurée sur toutes les lignes est inférieure à l'intensité en ampères maximale indiquée sur la plaque signalétique. Pour une sélection de réchauffeurs pour les démarreurs de la catégorie 16 (à usage déterminé magnétique) s'adresser au service à la clientèle de Pentair Water.

**REMARQUE B :** Les réchauffeurs Allen-Bradley ont été sélectionnés à partir du catalogue IC-110, Tableau 162 (jusqu'aux démarreurs de calibre 4), Tableau 547 (démarreurs de calibre 5) et Tableau 196 (démarreurs de calibre 6). Ces tableaux de réchauffeurs sont utilisés dans les bulletins 505, 509, 520, 540 et 570. S'adresser au service à la clientèle de Pentair Water pour une sélection des réchauffeurs pour les démarreurs 1232X et 1233X.

**REMARQUE C :** Les réchauffeurs General Electric sont du type CR123 et ne peuvent être utilisés que sur les relais de protection contre les surcharges du type CR124. Ils ont été sélectionnés à partir du catalogue GEP-126OJ, page 184. Ne pas régler les réchauffeurs au-delà de 100 %, à moins que ces réglages soient indispensables pour arrêter les déclenchements intempestifs lorsque l'intensité en ampères mesurée sur toutes les lignes est inférieure à l'intensité en ampères maximale indiquée sur la plaque signalétique.

**REMARQUE D :** Les réglages en ampères des relais de protection contre les surcharges réglables s'appliquent

aux types approuvés et énumérés ci-contre. Les relais doivent être réglés à l'intensité en ampères spécifiée « SET ». Ils ne doivent pas être réglés au-delà des réglages où les déclenchements intempestifs se produisent lorsque l'intensité en ampères mesurée sur toutes les lignes correspond à l'intensité en ampères maximale indiquée sur la plaque signalétique. Ils ne devront toutefois jamais être réglés au-delà de la valeur MAXIMALE indiquée.

## Relais de protection contre les surcharges réglables recommandés (par ordre alphabétique)

**Série AEG :** B17S, B27S, B27-2.

**Allen Bradley :** Bulletin 193, SMP catégorie 10 seulement.

**Types Fanal :** K7 ou K7D jusqu'à K400.

**Franklin Electric :** Subtrol-Plus

**General Electric :** CR4G, CR7G, RT\*1, RT\*2, RTF3, RT\*4, CR324X — Catégorie 10 seulement.

**Types Klockner-Moeller :** Z00, Z1, Z4, PKZM1, PKZM3, PKZ2.

**Lovato :** RC9, RC22, RC80, RF9, RF25, RF95.

**Types Siemens :** 3UA50, -52, -54, -55, -58, -59, -60, -61, -62, -66, -68, 70, 3VU13, 3VE, 3UB (Catégorie 5).

**Types Sprecher et Schuh :** CT, CT1, CTA 1, CT3K, CT3-12 jusqu'à CT3-42, KTA3, CEF1 et CET3 réglés à un maximum de 6 secondes, CEP 7, catégorie 10, CT4, 6 et 7, CT3.

**Square D/Télémechanique :** Types de la catégorie 9065, TD, TE, TF, TG, TJ, TK, TR, TJE, TJF (catégorie 10) ou LR1-D, LR1-F, LR2-D13, — D23, — D33, types 18A, 32A, catégorie SS 10, catégorie SR 10 et série 63-A-LB. Relais intégraux 18, 32, 63, GV2-L, GV2-M, GV2-P, GV3-M (de 1,6 à 10 ampères seulement).

**Types Westinghouse :** FT13, FT23, FT33, FT43, K7D, K27D, K67D, Advantage (catégorie 10), MOR, IQ500 (catégorie 5).

Les autres types de relais fournis par ces fabricants, ainsi que ceux d'autres fabricants, peuvent ou peuvent ne pas assurer une protection acceptable. Pour de plus amples renseignements, s'adresser au service à la clientèle de Pentair Water.

Certains types approuvés ne peut-être pas disponibles pour toutes les puissances nominales indiquées des moteurs. Si des relais sont utilisés avec des transformateurs de courant, le réglage des relais correspond à l'intensité en ampères spécifiée divisée par le rapport du transformateur.

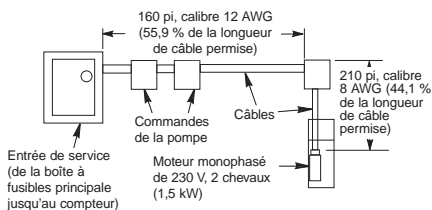
## Calcul du calibre des câbles lorsque deux calibres différents peuvent être utilisés (en pieds)

Parfois, il est préférable d'utiliser plus qu'un calibre de câble pour l'installation.

**Par exemple :** On doit remplacer une pompe équipée d'un moteur monophasé de 230 volts ayant une puissance de 2 chevaux. Le moteur est à 210 pieds dans le puits et 160 pieds de câble n° 12 sont enterrés entre l'entrée de service et la tête du puits. Pour ne pas avoir à remplacer le câble enterré, la question est la suivante : Quel calibre de câble doit-on utiliser dans le puits? Le calculer comme suit :

1. Conformément au Tableau III, une longueur totale de 286 pieds de câble n° 12 peut être utilisée pour alimenter en courant un moteur d'une puissance de 2 chevaux. Le pourcentage de ce total utilisé par le câble de 160 pieds enterré est :

$$160 \text{ pieds} / 286 \text{ pieds} = 0,559 = 55,9 \%$$



2. Avec 55,9 % de la longueur totale permise déjà utilisée, il ne reste plus que 44,1 % à utiliser dans le puits. Pour ne pas poser un câble trop petit qui causera une chute de la tension alimentant le moteur, nous devons déterminer un calibre de câble suffisamment gros de façon que les 210 pieds représentent moins de 44,1 % de la longueur totale permise pour ce calibre.
3. Si on essaie le câble n° 10 du Tableau III, on s'aperçoit que la longueur totale permise pour alimenter un moteur de 2 chevaux est de 456 pieds.  
 $456 \text{ pieds} \times 44,1 \% = 456 \text{ pieds} \times 0,441 = 201 \text{ pieds}$ 
 Cette longueur n'est pas suffisante.
4. Si on essaie le câble n° 8 du Tableau III, on s'aperçoit que la longueur totale permise est de 722 pieds.  
 $722 \text{ pieds} \times 44,1 \% = 722 \text{ pieds} \times 0,441 = 318 \text{ pieds}$ 
 Cette longueur est plus que suffisante. Un câble n° 8 peut donc être utilisé pour les 210 pieds de câble qui descendent dans le puits.

Toutes les combinaisons de calibre peuvent être utilisées, à condition que le pourcentage total de la longueur des deux calibres de câble ne dépasse pas 100 % des longueurs permises.

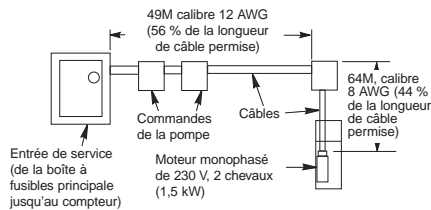
## Calcul du calibre des câbles lorsque deux calibres différents peuvent être utilisés (en mètres)

Parfois, il est préférable d'utiliser plus qu'un calibre de câble pour l'installation.

**Par exemple :** On doit remplacer une pompe équipée d'un moteur monophasé de 230 volts ayant une puissance de 2 chevaux. Le moteur est à 64 mètres dans le puits et 49 mètres de câble n° 12 sont enterrés entre l'entrée de service et la tête du puits. Pour ne pas avoir à remplacer le câble enterré, la question est la suivante : Quel calibre de câble doit-on utiliser dans le puits? Le calculer comme suit :

1. Conformément au Tableau III-M, une longueur totale de 87 mètres de câble n° 12 peut être utilisée pour alimenter en courant un moteur d'une puissance de 2 chevaux. Le pourcentage de ce total utilisé par le câble de 49 mètres enterré est :

$$49 \text{ mètres} / 87 \text{ mètres} = 0,56 = 56 \%$$



2. Avec 56 % de la longueur totale permise déjà utilisée, il ne reste plus que 44,1 % à utiliser dans le puits. Pour ne pas poser un câble trop petit qui causera une chute de la tension alimentant le moteur, nous devons déterminer un calibre de câble suffisamment gros de façon que les 64 mètres représentent moins de 44 % de la longueur totale permise pour ce calibre.
3. Si on essaie le câble n° 10 du Tableau III-M, on s'aperçoit que la longueur totale permise pour alimenter un moteur de 2 chevaux est de 139 mètres.  
 $139 \text{ mètres} \times 44 \% = 139 \text{ mètres} \times 0,44 = 61 \text{ mètres}$ 
 Cette longueur n'est pas suffisante.
4. Si on essaie le câble n° 8 du Tableau III-M, on s'aperçoit que la longueur totale permise est de 220 mètres.  
 $220 \text{ mètres} \times 44 \% = 220 \text{ mètres} \times 0,44 = 97 \text{ mètres}$ 
 Cette longueur est plus que suffisante. Un câble n° 8 peut donc être utilisé pour les 64 mètres de câble qui descendent dans le puits.

Toutes les combinaisons de calibre peuvent être utilisées, à condition que le pourcentage total de la longueur des deux calibres de câble ne dépasse pas 100 % des longueurs permises.

## SCHÉMAS DE CÂBLAGE POUR L'INSTALLATION DES MOTEURS MONOPHASÉS À 3 CONDUCTEURS

**⚠ AVERTISSEMENT** Dans le cas des moteurs d'une puissance de 1 1/2 cheval et plus, utiliser un démarreur magnétique pour ne pas endommager le manostat. Consulter l'usine pour de plus amples renseignements concernant le câblage.

**⚠ AVERTISSEMENT** Tension dangereuse. Risque de secousses électriques, de brûlures, voire de mort.

Mettre à la terre la boîte de commande, toutes les tuyauteries métalliques et la carcasse du moteur à l'aide d'un conducteur en cuivre, et ceci conformément aux codes de la municipalité. Utiliser un fil de mise à la terre d'un diamètre au moins aussi gros que celui des conducteurs du câble alimentant le moteur en courant. Obtenir en permanence toutes les ouvertures non utilisées de cet équipement et de tout autre équipement. Couper le courant alimentant la boîte de commande avant d'intervenir sur ou autour de la boîte de commande, des tuyaux, du câblage, de la pompe ou du moteur.

Pour être sûr que le relais de démarrage fonctionnera et que les surcharges ne provoqueront pas des « déclenchements intempestifs », installer la boîte de commande à la verticale, en orientant son dessus vers le haut.

Câbler la boîte de commande comme il est indiqué aux pages 42 à 46. La pompe ne fonctionnera pas sans une boîte de commande. De plus, les boîtes de commande de luxe doivent être dotées d'un interrupteur, ou bien un fil volant doit être branché entre les bornes « SW » et « L2 ». Le moteur brûlera si on n'utilise pas une boîte de commande.

L'installation doit être conforme au National Electrical Code des États-Unis, au Code canadien de l'électricité et aux codes de la municipalité (selon le cas) relatifs à tous les câblages.

Si le relais de surcharge principal se déclenche, déterminer :

1. S'il y a court-circuit dans le condensateur.
2. S'il y a des problèmes de tension.
3. Si la pompe est surchargée ou bloquée.

**REMARQUE** : Appareiller le moteur à la boîte de commande, comme il est indiqué aux pages 31,32, et 38. Les numéros de modèle des moteurs Franklin et des boîtes de commande peuvent comprendre des numéros supplémentaires à suffixe, juste à droite des numéros illustrés, page 38. Ces numéros supplémentaires n'ont pas d'importance dans le choix des boîtes de commande.

### RÉGULATEUR DE NIVEAU DE LIQUIDE PENDANT LES CYCLES DE POMPAGE :

Poser un régulateur de niveau de liquide pendant les cycles de pompage sur le puits pour ne pas pomper le puits à sec. Se reporter aux schémas de câblage des régulateurs, pages 42 à 46, pour savoir comment installer ces régulateurs.

**REMARQUE** : Mettre à la terre les régulateurs conformément aux codes de la municipalité. Si la surcharge du relais de démarrage se déclenche, remplacer le relais de démarrage. Réarmer le relais et déterminer la cause de son déclenchement. Pour ne pas brûler le moteur, ne pas enlever ni mettre en court-circuit la protection contre les surcharges.

## MÉTHODE DE VÉRIFICATION (POUR TOUTES LES BOÎTES) :

**⚠ DANGER** Tension dangereuse. Risque de

secousses électriques, de brûlures, voire la mort. Débrancher le courant alimentant la boîte de commande avant de procéder aux vérifications qui suivent.

- A. Généralités.** (Le courant alimentant la boîte de commande étant coupé.)
1. Couper le courant de secteur.
  2. Inspecter s'il y a des pièces endommagées ou brûlées, des connexions desserrées, etc.
  3. Rechercher s'il y a de mauvaises connexions en se reportant au schéma se trouvant à l'intérieur de la boîte de commande.
  4. Si la boîte est trop chaude, les disjoncteurs risquent de se déclencher ou les fusibles risquent de fondre. Aérer la boîte de commande ou la déplacer à l'ombre. L'éloigner de toute source de chaleur.
  5. Si aucun problème n'a été déterminé, vérifier le moteur et la boîte de commande. Procéder aux contrôles qui suivent.

**B. Contrôle de mise à la terre (résistance d'isolement).** (Le courant alimentant la boîte de commande étant coupé)

1. Réglage de l'ohmmètre : Sur l'échelle la plus haute (habituellement Rx100K ou Rx10,000).
2. Connexions des bornes : Un fil de l'ohmmètre étant branché sur la vis de « terre » de la boîte de commande, toucher, avec l'autre fil, chaque borne de la plaque à bornes.

3. Valeur de l'ohmmètre : L'aiguille doit rester sur infini ( $\infty$ ) et ne pas osciller.

**C. Contrôles du condensateur.** (Le courant alimentant la boîte de commande étant coupé.)

**⚠ AVERTISSEMENT** Risque de secousses électriques.

**Court-circuiter le condensateur au travers des bornes avant de procéder au contrôle.**

1. Réglage de l'ohmmètre : Rx1000.
2. Connexions des bornes : Brancher les fils de l'ohmmètre sur les fils noir et orange sortant du boîtier du condensateur.
3. Valeur de l'ohmmètre : L'aiguille doit aller vers « zéro », puis « revenir » à infini ( $\infty$ ). Le condensateur est en court-circuit si l'aiguille ne revient pas à ( $\infty$ ), il est ouvert si elle reste sur ( $\infty$ ).
4. Pour reconstruire le condensateur, inverser les connexions de l'ohmmètre sur les bornes du condensateur.

**D. Contrôle des interrupteurs Triac.** (Interrupteur à semi-conducteurs seulement.)

1. Réglage de l'ohmmètre : Rx1000.
2. Brancher les fils de l'ohmmètre sur la borne « R » (démarrage) et sur la borne du fil orange de l'interrupteur de démarrage.
3. Valeur de l'ohmmètre : infini ( $\infty$ ).

**E. Contrôle de la bobine.** (Interrupteur à semi-conducteurs seulement.)

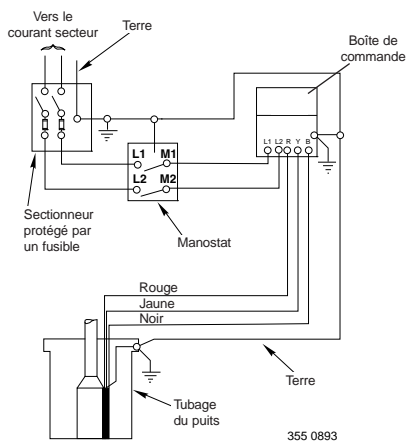
1. Réglage de l'ohmmètre : Rx1.
2. Brancher les fils de l'ohmmètre sur les bornes « Y » (commun) et L2 et sur la borne du fil orange de l'interrupteur de démarrage.
3. Valeur de l'ohmmètre : infini ( $\infty$ ).

## Schémas de câblage pour l'installation des moteurs monophasés à 3 fils

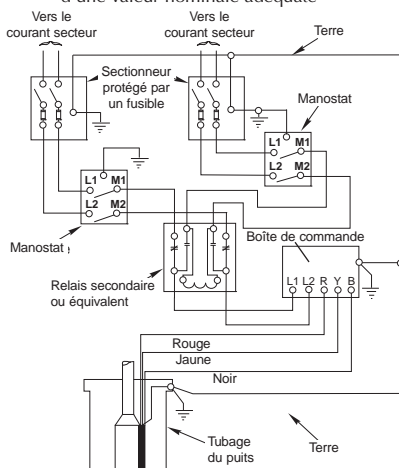
**⚠ AVERTISSEMENT**

Dans le cas des moteurs d'une puissance de 1 1/2 cheval et plus, utiliser un démarreur magnétique pour ne pas endommager le manostat. Consulter l'usine pour de plus amples renseignements concernant le câblage.

MOTEURS MONOPHASÉS DE 1/2 ch À 5 ch  
BOÎTE DE COMMANDE STANDARD AVEC  
MANOSTAT D'UNE VALEUR NOMINALE ADÉQUATE



MOTEURS MONOPHASÉS DE 1/2 ch À 5 ch  
BOÎTE DE COMMANDE STANDARD AVEC MANOSTAT  
(Une pompe pour deux maisons) avec manostat  
d'une valeur nominale adéquate



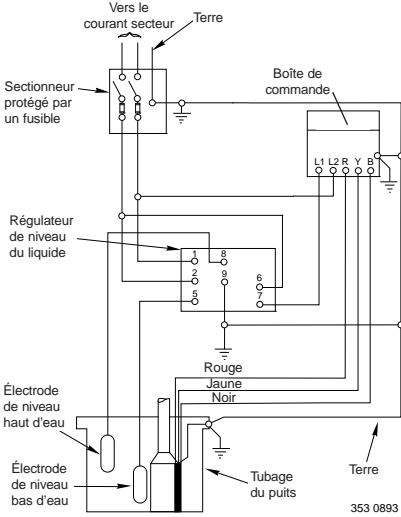
Respecter le codage par couleur pour le branchement de la boîte de commande (le jaune avec Y, le rouge avec R, le noir avec B).

## Schémas de câblage pour l'installation des moteurs monophasés à 3 fils

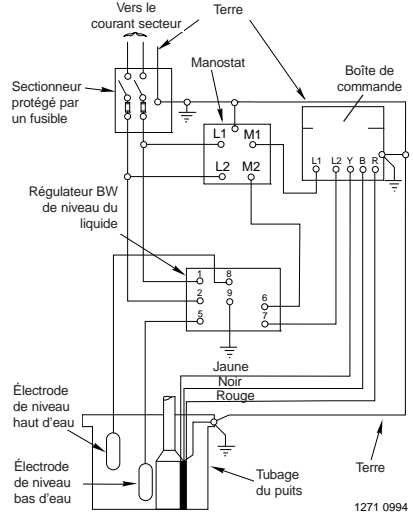


**Dans le cas des moteurs d'une puissance de 1 1/2 cheval et plus, utiliser un démarreur magnétique pour ne pas endommager le manostat. Consulter l'usine pour de plus amples renseignements concernant le câblage.**

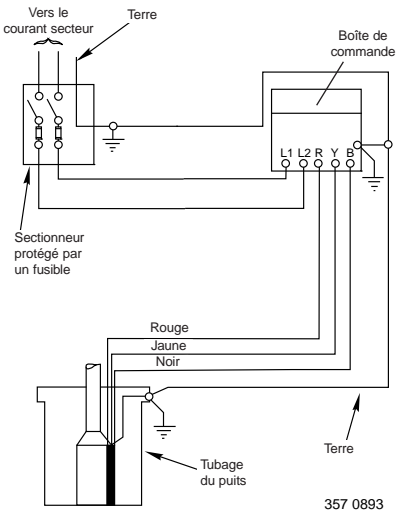
MOTEURS MONOPHASÉS DE 1/2 ch À 5 ch  
BOÎTE DE COMMANDE STANDARD AVEC  
RÉGULATEUR DE NIVEAU DU LIQUIDE



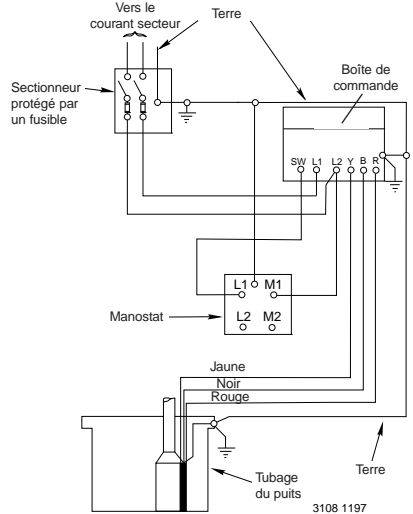
MOTEURS MONOPHASÉS DE 1/2 ch À 5 ch  
BOÎTE DE COMMANDE STANDARD AVEC  
MANOSTAT ET RÉGULATEUR DE NIVEAU DU LIQUIDE



SYSTÈME OUVERT - MOTEURS MONOPHASÉS DE 2 ch À 5 ch  
BOÎTE DE COMMANDE STANDARD



MOTEURS MONOPHASÉS DE 2, 3 ET 5 ch  
BOÎTE DE COMMANDE DE LUXE AVEC MANOSTAT



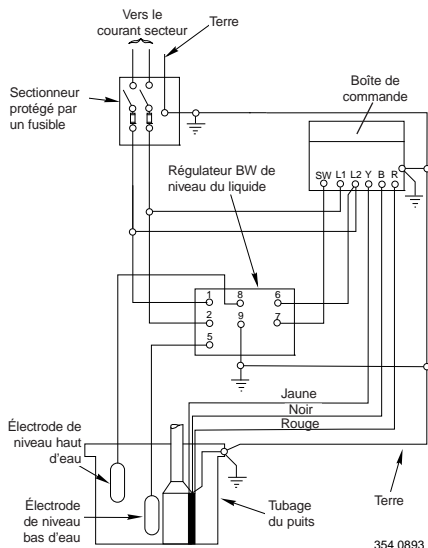
Respecter le codage par couleur pour le branchement de la boîte de commande (le jaune avec Y, le rouge avec R, le noir avec B).

## Schémas de câblage pour l'installation des moteurs monophasés et triphasés

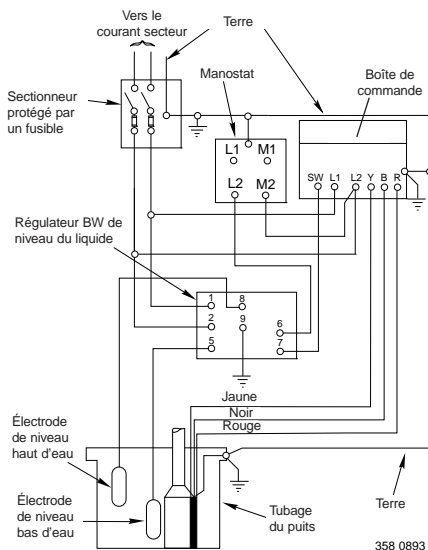
**⚠ AVERTISSEMENT**

Dans le cas des moteurs d'une puissance de 1 1/2 cheval et plus, utiliser un démarreur magnétique pour ne pas endommager le manostat. Consulter l'usine pour de plus amples renseignements concernant le câblage.

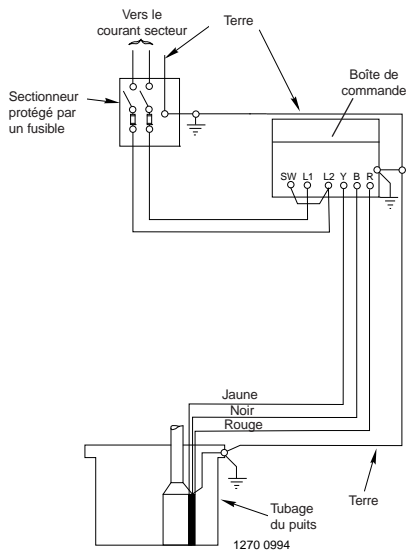
MOTEURS MONOPHASÉS DE 1/2 ch à 5 ch  
BOÎTE DE COMMANDE DE LUXE AVEC  
RÉGULATEUR DE NIVEAU DU LIQUIDE



MOTEURS MONOPHASÉS DE 1/2 ch à 5 ch  
BOÎTE DE COMMANDE DE LUXE AVEC MANOSTAT  
ET RÉGULATEUR DE NIVEAU DU LIQUIDE



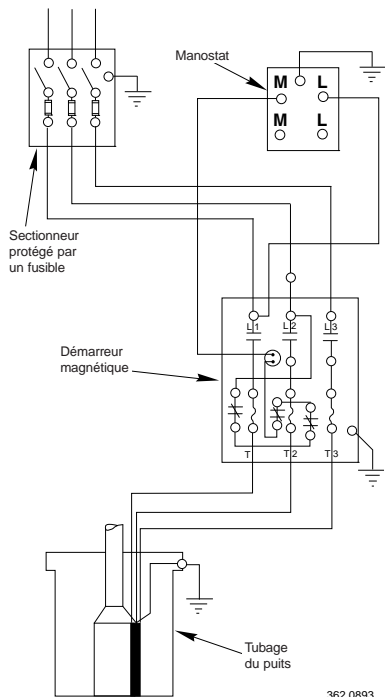
SYSTÈME OUVERT - MOTEURS MONOPHASÉS  
DE 1/2 ch à 5 ch  
BOÎTES DE COMMANDE DE LUXE



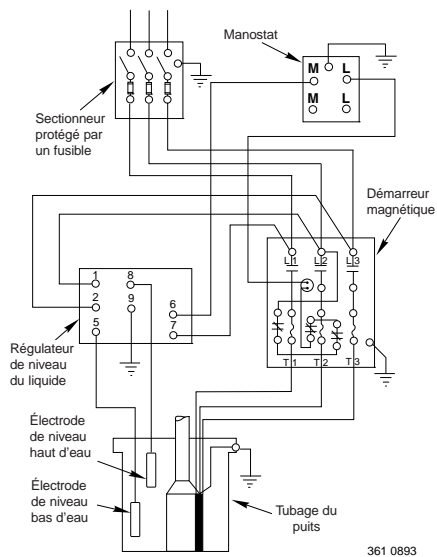
Respecter le codage par couleur pour le branchement de la boîte de commande (le jaune avec Y, le rouge avec R, le noir avec B).

## Schémas de câblage pour l'installation des moteurs triphasés

MOTEURS TRIPHASÉS DE 1 1/2 ch ET PLUS  
PUISSANTS AVEC MANOSTAT



MOTEURS TRIPHASÉS DE 1 1/2 ch ET PLUS  
PUISSANTS AVEC MANOSTAT ET RÉGULATEUR  
DE NIVEAU DU LIQUIDE



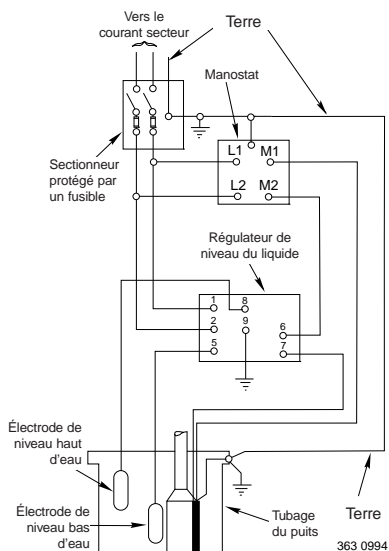
Respecter le codage par couleur pour le branchement de la boîte de commande (le jaune avec Y, le rouge avec R, le noir avec B).

## Schémas de câblage de l'installation – Moteurs bifilaires

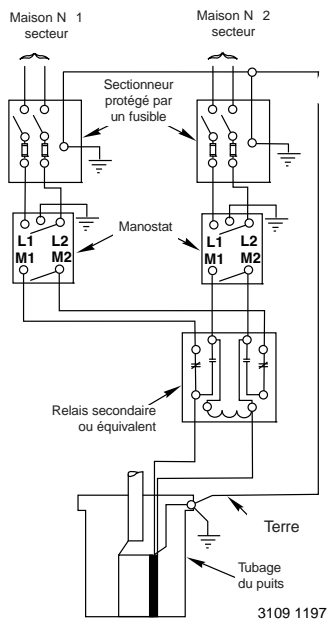
**AVERTISSEMENT**

Dans le cas des moteurs d'une puissance de 1 1/2 cheval et plus, utiliser un démarreur magnétique pour ne pas endommager le manostat. Consulter l'usine pour de plus amples renseignements concernant le câblage.

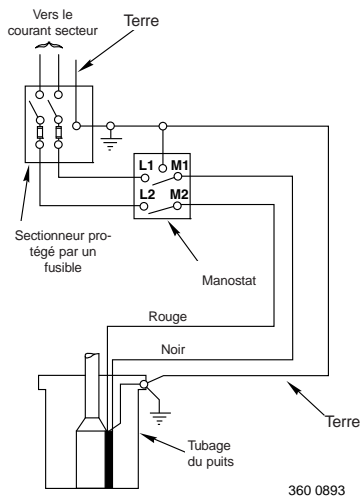
AVEC PRESSOSTAT ET RÉGULATEUR DE NIVEAU DU LIQUIDE



UNE POMPE POUR DEUX HABITATIONS AVEC PRESSOSTAT



UNE POMPE POUR UNE



Respecter le codage par couleur pour le branchement de la boîte de commande (le jaune avec Y, le rouge avec R, le noir avec B).



# Installation

## ÉPISURE DES CÂBLES :

- Épisser les fils du câble sur les fils du moteur.  
Pour cela, utiliser une des trois méthodes décrites ci-dessous. N'utiliser que des conducteurs en cuivre pour les connexions sur le moteur de la pompe et la boîte de commande.

### A. Épaisseur protégée par du ruban isolant adhésif (fils de calibre n° 8 (8,4 mm<sup>2</sup>) ou plus gros) :

- Couper les fils du moteur. Décaler les coupes des fils de façon que le deuxième fil soit 50 mm (2 pouces) plus long que le premier fil et que le troisième fil soit 50 mm (2 pouces) plus long que le deuxième fil.
- Couper les extrémités du câble. S'assurer d'assortir les couleurs et les longueurs des conducteurs du câble descendant dans le puits avec celles des fils du moteur.
- Dénuder sur 13 mm (1/2 pouce) les extrémités des conducteurs du câble, de même que les extrémités des fils du moteur.
- Introduire les fils du moteur et les conducteurs du câble dans les connecteurs bout à bout. (Se reporter à la Figure 4.) S'assurer d'assortir les couleurs des conducteurs du câble descendant dans le puits avec celles des fils du moteur.
- À l'aide d'une pince à sertir (se reporter à la Figure 7), écraser les pattes du connecteur bout à bout pour immobiliser les fils. (Se reporter à la Figure 5.)

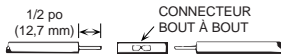


FIGURE 4



FIGURE 5



FIGURE 6

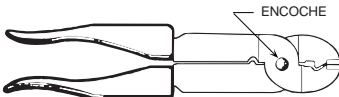


FIGURE 7



FIGURE 8

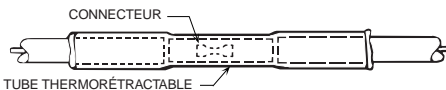


FIGURE 9

- Couper le mastic isolant électrique « Scotchfil » en 3 morceaux de longueur égale et bien le presser autour des connecteurs. S'assurer que l'isolant « Scotchfil » chevauche la partie isolée des fils.

- Avec du ruban isolant adhésif Scotch n° 33, bien envelopper chaque connexion; recouvrir les fils sur environ 38 mm (1 1/2 pouce) au-delà de la connexion. Mettre quatre épaisseurs de ruban. Autrement dit, lorsque l'on aura fini, on devra avoir quatre épaisseurs de ruban fermement enroulées autour des fils. Appuyer fermement le ruban sur les fils. (Se reporter à la Figure 8.)

**REMARQUE :** Étant donné que le ruban enroulé autour des fils est le seul moyen d'empêcher l'eau de pénétrer dans les épissures, l'efficacité des épissures dépendra de la précaution qu'on aura pris pour envelopper les fils.

**REMARQUE :** Dans le cas de fils de calibre n° 8 (8,4 mm<sup>2</sup>) ou plus gros, les souder plutôt que d'utiliser du mastic isolant Scotchfil. (Se reporter à la Figure 6.)

### B. Épaisseur protégée par un tube thermorétractable (pour les fils de calibre n° 14, 12 et 10 AWG ou de 2, 3 et 5,5 mm<sup>2</sup>) :

- Sur 10 mm (3/8 de pouce), dénuder les extrémités des fils du moteur, de même que les extrémités des conducteurs du câble descendant dans le puits.
- Glisser un tube thermorétractable en plastique sur chaque fil du moteur.
- Assortir les couleurs et les longueurs des conducteurs du câble descendant dans le puits avec celles des fils du moteur.
- Introduire les conducteurs du câble et les fils du moteur dans les connecteurs bout à bout et les sertir. (Se reporter aux Figures 4 et 5.)  
**S'ASSURER** d'assortir les couleurs de conducteurs du câble descendant dans le puits avec celles des fils du moteur. Tirer sur les fils pour s'assurer que les connexions sont bonnes.
- Centrer un tube thermorétractable sur chaque connexion, puis chauffer chaque tube avec une lampe à souder (la chaleur d'un briquet ou d'une allumette ne sera pas suffisante).

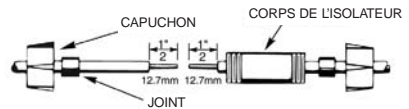


FIGURE 10



FIGURE 11

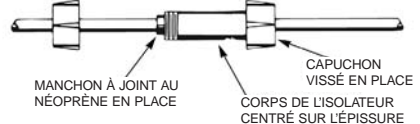


FIGURE 12

**REMARQUE :** Déplacer la lampe à souder de droite à gauche. Ne pas la tenir toujours au même endroit. Une trop forte concentration de chaleur risque d'endommager le tube. (Se reporter à la Figure 9.)

**C. Connecteur bout à bout** avec isolateurs en plastique (pour les fils de calibre 14, 12 et 10 AWG ou 2,5, 4 et 6 mm<sup>2</sup>) :

1. Couper les fils du moteur. Décaler les longueurs des fils de façon que le deuxième fil soit 100 mm (4 pouces) plus long que le premier fil et que le troisième fil soit 100 mm (4 pouces) plus long que le deuxième.
2. Couper les extrémités du câble. S'assurer d'assortir les couleurs et les longueurs des conducteurs du câble descendant dans le puits avec celles des fils du moteur.
3. Dénuder les extrémités des conducteurs du câble et les extrémités des fils du moteur sur 13 mm (1/2 pouce).
4. Dévisser les capuchons en plastique des isolateurs. Glisser un capuchon et un manchon à joint au néoprène sur l'extrémité de chaque fil à épisser. (Se reporter à la Figure 10.)
5. Glisser le corps d'un isolateur sur une extrémité de chaque fil (Figure 10).
6. Introduire l'extrémité de chaque fil dans le connecteur bout à bout et le sertir (se reporter à la Figure 11). **S'assurer** d'assortir les couleurs des fils du moteur avec celles des conducteurs du câble.
7. Centrer le corps de l'isolateur sur l'épissure, puis glisser le manchon à joint au néoprène dans le corps aussi loin que possible. Visser les capuchons sur le corps des isolateurs. (Se reporter à la Figure 12.) Les serrer à la main pour une épissure solide et étanche.

## INSTALLATION DU CÂBLE

1. Pour contrôler les câbles submersibles, les brancher momentanément sur une bonne alimentation en courant. La tension et la fréquence du courant d'alimentation doivent correspondre à  $\pm 10\%$  près à la fréquence et à la tension indiquées sur la plaque signalétique du moteur. (Pompes triphasées - Se reporter à la rubrique « Rotation » de la page 27.)
2. Bien attacher les conducteurs du câble sur la partie refoulement de la pompe. Laisser entre 100 et 127 mm (4 et 5 pouces) de mou dans le câble à ce point. Bien attacher les fils sur le tuyau en plastique, à 150 mm (6 pouces) de la partie de refoulement de la pompe. Poser une cale anticouple pour protéger la pompe et les tuyaux des dommages que pourraient causer les à-coups lorsque la pompe démarre et s'arrête.
3. Pour la mise à la terre, brancher le fil en cuivre sur le support du moteur. Ce fil doit être au moins du même calibre, sinon plus gros, que les conducteurs du câble alimentant le moteur en courant. Consulter le National Electrical Code, le Code canadien de l'électricité et les codes de la municipalité (selon le cas) pour tous les renseignements concernant la mise à la terre.
4. N'utiliser que le câble submersible fourni par le fabricant de la pompe. Lorsqu'on abaisse la pompe dans le puits, attacher, tous les 3,50 m (10 pieds), le câble au tuyau de refoulement, avec du ruban isolant électrique Scotch n° 33. Faire bien attention de ne pas endommager le câble de la pompe.

**REMARQUE :** Pour que la pompe ne tombe pas dans le puits et pour ne pas endommager le câble ou les épissures de câble, **NE JAMAIS** laisser le câble de la pompe supporter tout le poids de la pompe.

## INSTALLATION DE LA POMPE

1. Si un réservoir sous pression galvanisé standard est utilisé, installer deux orifices de purge à environ 60 cm (2 pieds) l'un de l'autre, comme il est illustré à la Figure 15 de la page 51. Ces orifices chargeront automatiquement d'air le réservoir. Se reporter à la Figure 15 pour déterminer l'emplacement de ces orifices.

**REMARQUE :** Si un réservoir préchargé (à vessie) est utilisé, **NE PAS** poser d'orifices de purge. Si la pompe et le réservoir préchargé remplacent un système à réservoir standard, déposer les orifices de purge avant d'installer la pompe dans le puits.

2. Pour que la pompe ne tombe pas dans le puits, attacher un filin de sécurité (corde en polypropylène torsadé ou en pronila d'au moins 8 mm (5/16 de pouce) suffisamment solide sur l'oeillet de refoulement de la pompe pour supporter la pompe et le tuyau de descente. Bien attacher l'autre extrémité du filin sur le joint du puits, le couvercle du puits ou l'adaptateur de branchement à coulisseau.
3. La sortie de refoulement comporte des filets de 2 pouces NPT (moteur de 60 Hz) ou de 2 pouces à filetage pas de gaz (BSP) (moteur de 50 Hz). Utiliser un tuyau en plastique polyéthylène d'une résistance de 689,5 kPa (100 lb/po<sup>2</sup>) dans le cas des installations ayant jusqu'à 30,5 mètres (100 pieds) de profondeur. Utiliser un tuyau en plastique polyéthylène d'une résistance de 6 103 kPa (160 lb/po<sup>2</sup>) dans le cas des installations ayant jusqu'à 67 mètres (220 pieds) de profondeur. Pour les profondeurs dépassant 67 mètres (220 pieds), tout le tuyau de descente devra être en acier galvanisé.

## MISE INITIALE EN SERVICE

**REMARQUE :** NE JAMAIS faire fonctionner la pompe lorsque le robinet de refoulement est complètement fermé, sinon la pompe risque d'être détériorée et la garantie sera annulée.

**REMARQUE :** Pour éviter que le sable bouche la pompe, observer ce qui suit lorsque l'on démarre la pompe pour la première fois. NE JAMAIS mettre en marche une pompe lorsque le refoulement est complètement ouvert, à moins d'avoir tout d'abord procédé à ce qui suit.

1. Brancher un coude de tuyau, une petite longueur de tuyau et un robinet-vanne sur le refoulement de la pompe, côté tête du puits. (Se reporter à la Figure 13.)
2. Poser la boîte de commande du moteur (pompe à 3 fils) ou un sectionneur protégé par un fusible (pompe à 2 fils) ou un démarreur magnétique (pompe à moteur triphasé) dans un endroit qui sera toujours étanche. S'assurer que la boîte de commande ne sera jamais soumise à des chaleurs ni à une humidité extrêmes.
3. S'assurer que tous les interrupteurs sont sur ARRÊT.
4. Brancher les fils du moteur et l'alimentation en courant sur la boîte de commande du moteur ou sur le démarreur magnétique. (Se reporter aux schémas de câblage des pages 42 à 46). **NE PAS DÉMARRER LA POMPE À CE POINT.**
5. Ouvrir de 1/3 le robinet-vanne de la conduite de refoulement. Démarrer la pompe. (Se reporter à la Figure 13.)
6. Laisser le robinet-vanne ouvert de 1/3 pendant que la pompe refoule l'eau sur le sol. Laisser tourner la pompe jusqu'à ce que l'eau ne contienne plus de sable ni de boue. (Pour vérifier si l'eau contient des matières solides, remplir un verre de l'eau pompée et attendre que les matières solides se déposent.)

- Lorsque l'eau coule complètement claire pendant que le robinet-vanne est ouvert de 1/3, ouvrir le robinet-vanne aux 2/3 environ et répéter l'opération.
- Lorsque l'eau coule complètement claire alors que le robinet-vanne est ouvert aux 2/3, ouvrir complètement le robinet-vanne et laisser tourner la pompe jusqu'à ce que l'eau coule complètement claire.
- Déposer le robinet-vanne et procéder à l'installation permanente près du réservoir. (Se reporter aux Figures 14 et 15, pages 50 et 51.)
- Poser un joint de puits sanitaire ou un adaptateur de branchement à coulisseau, un conduit électrique et la tuyauterie de surface, conformément aux codes de la municipalité.

## POMPAGE DES EAUX RÉSIDUAIRES

Il faut respecter les conditions suivantes par rapport aux pompes conçues et mises à l'essai pour pomper les eaux résiduelles :

**AVERTISSEMENT** **Risque de secousses électriques.** Ne pas enlever le fil électrique ni le réducteur de tension. Ne pas brancher le conduit à la pompe.

- Seul du personnel qualifié doit installer la pompe et tout l'équipement de commande connexe.
- Ventiler la fosse septique conformément aux codes de la municipalité.
- Ne pas installer cette pompe dans un endroit classé comme dangereux par le Code canadien de l'électricité ou le National Electrical Code, ANSI/NFPA 70-1984.
- Ces pompes doivent être branchées en permanence seulement. Poser un réducteur de tension sur l'arrivée de courant, côté boîte de commande. Tous les composants de commande doivent être classés UL et répondre aux besoins de l'utilisation.

## RACCORDEMENT SUR LE RÉSEAU D'EAU ET LE RÉSERVOIR

**AVERTISSEMENT** **Pression dangereuse.** Dans certaines conditions, les pompes submersibles peuvent développer des pressions extrêmement élevées. Poser une soupape de décharge pouvant laisser passer tout le débit de la pompe à une pression de 517 kPa (75 lb/po<sup>2</sup>). Dans le cas d'un réservoir préchargé, poser une soupape de décharge pouvant laisser passer tout le débit de la pompe à une pression de 690 kPa (100 lb/po<sup>2</sup>). Poser la soupape de décharge entre la pompe et le réservoir.

**REMARQUE** : Si la pompe ou les tuyauteries gèlent, la pompe risque d'être sérieusement endommagée et la garantie sera annulée. Protéger la pompe et toutes les tuyauteries (y compris le réservoir sous pression) contre le gel.

### Raccordement sur un réservoir standard :

Se reporter à la Figure 15 de la page 51 pour le raccordement des tuyauteries sur un réservoir sous pression standard et pour la bonne distance à laisser entre les orifices de purge et le réservoir sous pression.

### Raccordement sur un réservoir sous pression préchargé :

Se reporter à la Figure 50 de la page 48 pour le raccordement des tuyauteries sur un réservoir sous pression préchargé.

**REMARQUE** : Vérifier la pression d'air préchargée dans le réservoir avant de démarrer la pompe. Régler la précharge à 13,8 kPa (2 lb/po<sup>2</sup>) sous le réglage de

démarrage de la pompe. (Par exemple, un réservoir préchargé muni d'un manostat de 30 à 50 doit être préchargé avec 193 kPa (28 lb/po<sup>2</sup>) d'air.) Corriger la précharge en ajoutant ou en purgeant de l'air par la valve qui se trouve en haut du réservoir. Vérifier la précharge tous les ans. La corriger au besoin.

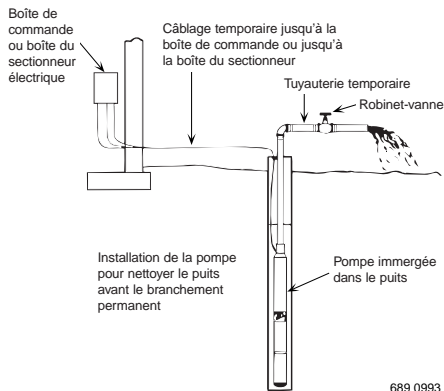


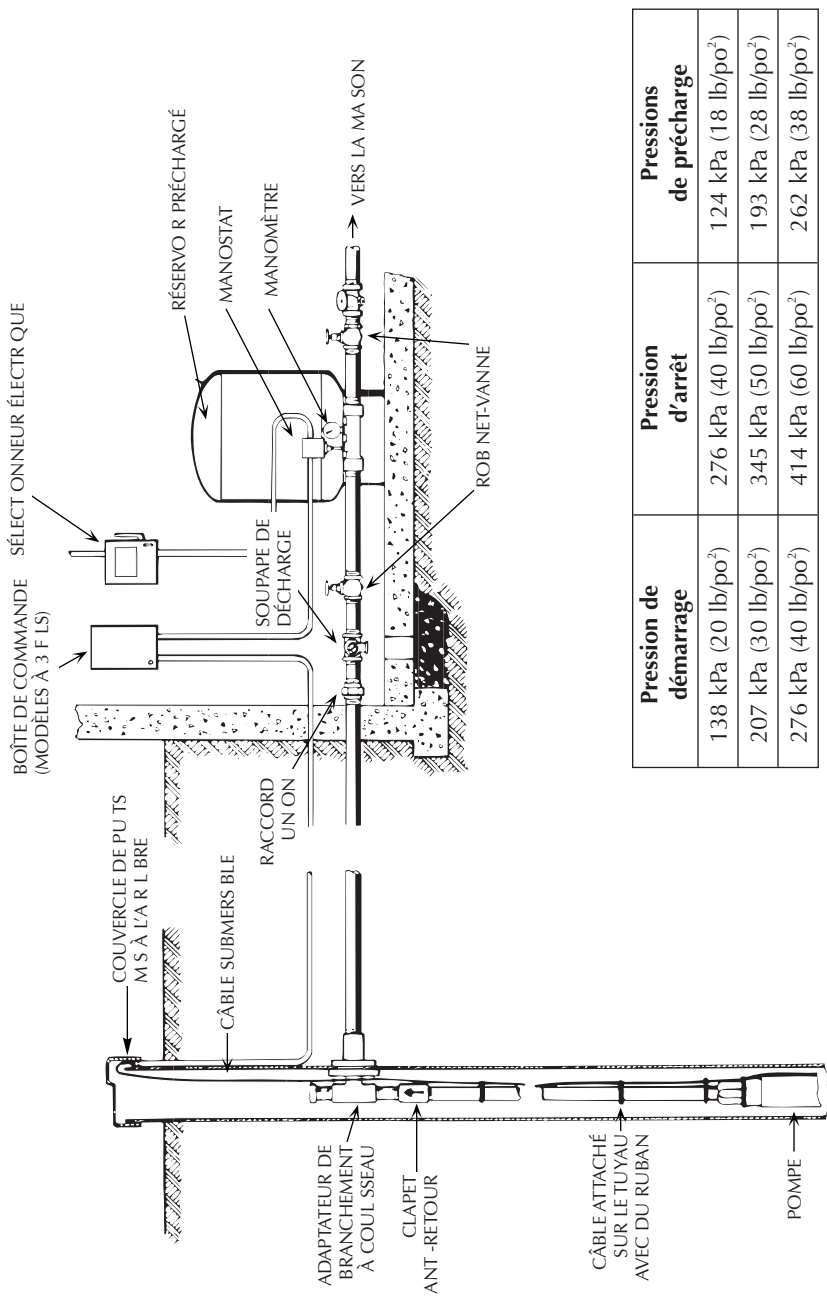
FIGURE 13

## Renseignements importants concernant la mise à la terre

**AVERTISSEMENT** **Tension dangereuse. Risque de secousses, de brûlures, voire de mort.** Pour minimiser les risques de secousses électriques pendant le fonctionnement de la pompe, mettre et relier à la terre la pompe et le moteur en procédant comme suit :

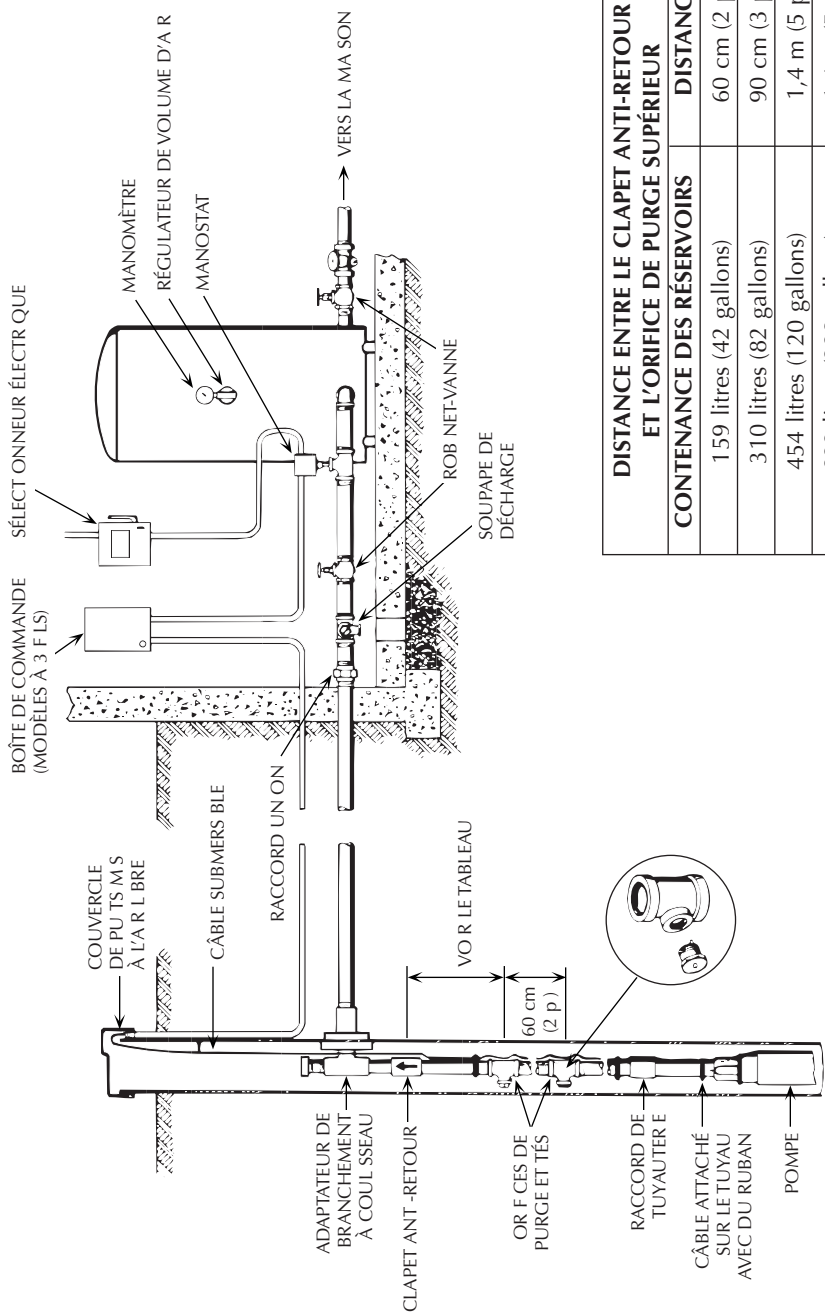
- Pour minimiser les risques de secousses électriques pouvant être causées par les pièces métalliques de l'ensemble autres que la pompe, raccorder ensemble toutes les pièces métalliques accessibles, côté couvercle du puits (y compris le tuyau de refoulement métallique, le tubage métallique du puits, etc.). Utiliser, jusqu'au moteur de la pompe, un conducteur de liaison métallique dont le diamètre sera au moins aussi gros que celui des conducteurs du câble descendant dans le puits.
- Avec un collier, attacher (ou souder - les deux au besoin) ce conducteur de liaison sur le moyen de mise à la terre prévu sur la pompe, qui sera la borne de mise à la terre de l'équipement, le conducteur de mise à la terre du corps de la pompe ou un fil de mise à la terre de l'équipement. Le fil de mise à la terre de l'équipement, lorsqu'il est fourni, est le conducteur à gaine verte qui peut également comporter une ou plusieurs bandes jaunes.
- Mettre à la terre la pompe, le moteur et tous les conduits métalliques qui supportent les conducteurs du câble d'alimentation. Mettre à la terre tous ces éléments sur le service en branchant un conducteur en cuivre qui ira de la pompe, du moteur et du conduit à la vis de mise à la terre prévue dans le coffret de câblage de la boîte de connexions d'alimentation. Le diamètre de ce conducteur doit être au moins aussi gros que celui des conducteurs du circuit d'alimentation de la pompe.

**Conserver ces instructions.**



Pression de démarrage	Pression d'arrêt	Pressions de précharge
138 kPa (20 lb/po <sup>2</sup> )	276 kPa (40 lb/po <sup>2</sup> )	124 kPa (18 lb/po <sup>2</sup> )
207 kPa (30 lb/po <sup>2</sup> )	345 kPa (50 lb/po <sup>2</sup> )	193 kPa (28 lb/po <sup>2</sup> )
276 kPa (40 lb/po <sup>2</sup> )	414 kPa (60 lb/po <sup>2</sup> )	262 kPa (38 lb/po <sup>2</sup> )

FIGURE 14 - Installation type d'une pompe submersible branchée sur un réservoir préchargé



DISTANCE ENTRE LE CLAPET ANTI-RETOUR ET L'ORIFICE DE PURGE SUPÉRIEUR	
CONTENANCE DES RÉSERVOIRS	DISTANCE
159 litres (42 gallons)	60 cm (2 pi)
310 litres (82 gallons)	90 cm (3 pi)
454 litres (120 gallons)	1,4 m (5 pi)
833 litres (220 gallons)	1,4 m (5 pi)
1192 litres (315 gallons)	3,0 m (10 pi)
1987 litres (525 gallons)	4,6 m (15 pi)

**FIGURE 15 - Installation d'une pompe branchée sur un réservoir sous pression standard**

## GUIDE DE DIAGNOSTIC

PROBLÈMES	VÉRIFIER	MESURES CORRECTIVES
<p><b>Le moteur ne démarre pas, mais les fusibles ne sautent pas</b></p> <p>Pas de tension</p>	<p>Pas de tension à la boîte à fusibles.</p> <p>Pas de tension à la boîte de commande.</p> <p>Pas de tension au manostat.</p> <p>Pas de tension côté charge du manostat.</p> <p>Mauvais câble ou mauvaise épissure.</p> <p>La boîte de commande est mal câblée.</p>	<p>Consulter la compagnie d'électricité; vérifier la génératrice.</p> <p>Vérifier les connexions, refaire le câblage entre la boîte à fusibles et la boîte de commande.</p> <p>Vérifier les connexions; remplacer la boîte de commande; refaire le câblage entre la boîte de commande et le manostat.</p> <p>Vérifier les connexions; remplacer le manostat.</p> <p>Consulter un électricien ou un technicien qualifié.</p> <p>Bien recâbler la boîte de commande (se reporter aux schémas de câblage des pages 42 à 46.)</p>
<p><b>Les fusibles sautent ou le dispositif de protection contre les surcharges se déclenche dès que le moteur démarre</b></p> <p>Fusibles ordinaires ou fusibles temporisés de mauvais calibre.</p> <p>Conducteurs de diamètre trop petit.</p> <p>Condensateur du démarrage défectueux ou sauté.</p> <p>Haute ou basse tension.</p> <p>Conducteurs du câble mal branchés sur la boîte de commande.</p> <p>Fill(s) cassé(s) dans la boîte de commande.</p> <p>Pompe ou moteur grippé.</p>	<p>Vérifier le calibre des fusibles d'après les tableaux des pages 31-33, 37.</p> <p>Vérifier le diamètre des conducteurs d'après les tableaux des pages 31, 32, 34, 38 et 39.</p> <p>Vérifier la boîte de commande pour s'assurer que le condensateur de démarrage n'a pas sauté.</p> <p>Pendant que le moteur fonctionne, s'assurer que la tension du courant secteur correspond à <math>\pm 10\%</math> près de la tension indiquée sur la plaque signalétique du moteur.</p> <p>Vérifier le schéma de câblage de la boîte de commande par rapport au branchement du courant de la ligne d'entrée. Vérifier le codage par couleur des conducteurs du câble descendant dans le puits.</p> <p>Examiner toutes les connexions et le câblage dans la boîte de commande.</p> <p>Vérifier si le rotor de la pompe est bloqué.</p>	<p>Poser un fusible ordinaire ou un fusible temporisé de bon calibre.</p> <p>Poser des conducteurs de bon diamètre.</p> <p>Remplacer le condensateur de démarrage.</p> <p>Si la fluctuation de la tension est supérieure à <math>\pm 10\%</math>, appeler la Compagnie d'électricité pour faire régler la tension.</p> <p>Rebrancher les conducteurs pour qu'ils correspondent au schéma de câblage se trouvant à l'intérieur du couvercle de la boîte de commande.</p> <p>Rebrancher le câble descendant dans le puits de façon que les couleurs des conducteurs du câble s'apparentent à celles des fils du moteur.</p> <p>Couper le courant et réparer ou remplacer le conducteur défectueux.</p> <p>Au besoin, sortir la pompe du puits (avant cela, procéder à toutes les vérifications en surface). Si la pompe est grippée, la remplacer. Nettoyer le puits de tout le sable ou de toute la boue qu'il contient avant de reposer la pompe.</p>
<p><b>Le fusible saute ou le dispositif de protection contre les surcharges se déclenche pendant que le moteur fonctionne</b></p> <p>Haute ou basse tension.</p> <p>Température ambiante (atmosphérique) élevée.</p> <p>Boîte de commande de mauvaise tension ou de mauvaise puissance.</p> <p>Fils de calibre trop petit.</p> <p>Les épissures du câble ou les fils du moteur font contact avec la terre, sont en court-circuit ou ouverts.</p>	<p>Pendant que le moteur fonctionne, s'assurer que la tension du courant secteur correspond à <math>\pm 10\%</math> près de la tension indiquée sur la plaque signalétique du moteur.</p> <p>Vérifier la température de la boîte de commande.</p> <p>Comparer la tension et la puissance indiquées sur la plaque signalétique du moteur par rapport à celles indiquées sur la plaque signalétique de la boîte de commande ou sur le schéma de câblage se trouvant à l'intérieur du couvercle de la boîte de commande.</p> <p>Vérifier le calibre des conducteurs en se reportant aux tableaux des pages 31, 32, 34, 38 et 39.</p> <p>Consulter un électricien diplômé ou un technicien qualifié.</p>	<p>Si la fluctuation de la tension est supérieure à <math>\pm 10\%</math>, appeler la compagnie d'électricité pour faire régler la tension.</p> <p>Ne pas poser la boîte de commande dans un endroit où elle sera directement exposée aux rayons du soleil.</p> <p>Remplacer la boîte de commande si la tension et la puissance ne correspondent pas.</p> <p>Poser des conducteurs de bon calibre.</p> <p>Ne pas essayer de démonter la pompe ni le moteur.</p>

## GUIDE DE DIAGNOSTIC (suite)

PROBLÈMES	VÉRIFIER	MESURES CORRECTIVES
<p><b>La pompe démarre trop fréquemment</b> Fuites dans le système.</p> <p>Manostat.</p> <p>Réservoir saturé d'eau.</p> <p>La tuyauterie qui descend dans le puits fuit.</p> <p>Manostat trop éloigné du réservoir.</p>	<p>Vérifier tous les raccords du réservoir avec une eau savonneuse à la recherche de fuites d'air. Vérifier la tuyauterie à la recherche de fuites.</p> <p>Vérifier si le manostat est défectueux ou s'il est déréglé.</p> <p>Précharger les réservoirs; vérifier la pression de l'air de précharge; voir s'il y a des fuites dans la vessie.</p> <p>Réservoirs standard : S'assurer qu'il n'y a pas de fuites d'air. Vérifier le régulateur de volume d'air. Vérifier le fonctionnement de la soupape de purge.</p> <p>Sortir une longueur de tuyauterie du puits à la fois jusqu'à ce que l'eau reste dans la tuyauterie. Mesurer la distance entre le manostat et le réservoir.</p>	<p>Le système doit être hermétique à l'air et étanche à l'eau.</p> <p>Régler ou remplacer le manostat.</p> <p>Précharger les réservoirs; régler la pression de l'air à 13,8 kPa (2 lb/po<sup>2</sup>) plus bas que la pression de démarrage de la pompe (dès qu'il n'y a plus de pression d'eau dans le système). Remplacer la vessie au besoin. Réservoirs standard : réparer ou remplacer les réservoirs. Remplacer les soupapes de purge au besoin.</p> <p>Remplacer la tuyauterie au-dessus de ce point.</p> <p>Déplacer le manostat à 30 cm (1 pied) du réservoir.</p>
<p><b>Très peu de débit ou pas de débit d'eau</b> Le clapet anti-retour de l'orifice de purge est grippé ou a été posé à l'envers (réservoirs standard seulement).</p> <p>Niveau d'eau bas.</p> <p>Basse tension.</p> <p>Crépine d'aspiration bouchée.</p> <p>Clapet anti-retour grippé côté refoulement de la pompe.</p> <p>Impulseurs et diffuseurs usés.</p>	<p>Examiner le clapet.</p> <p>Déterminer le niveau d'eau le plus bas dans le puits pendant que la pompe fonctionne et le comparer avec le réglage en profondeur de la pompe.</p> <p>Vérifier la tension à la boîte de commande pendant que la pompe fonctionne. Vérifier le calibre des conducteurs d'arrivée et le calibre du câble descendant dans le puits en se reportant aux tableaux des pages 31, 32, 34, 38 et 39.</p> <p>Sortir la pompe du puits et vérifier l'état de la crépine.</p> <p>Sortir la pompe du puits et examiner le clapet anti-retour.</p> <p>S'assurer que le système n'est pas obstrué, que la pompe est bien plongée dans de l'eau ne contenant pas d'air et qu'elle fonctionne normalement.</p>	<p>Si le clapet est grippé, le dégripper. S'il est posé à l'envers, le reposer à l'endroit.</p> <p>Abaisser un peu plus la pompe dans le puits (mais pas à moins de 1,60 m (5 pieds) du fond du puits). Étrangler le refoulement de la pompe jusqu'à ce que le refoulement corresponde au taux de récupération du puits. <b>REMARQUE</b> : Faire fonctionner la pompe alors que des bouchons d'air risquent de causer une perte d'amorçage et la pompe risque d'être sérieusement endommagée.</p> <p>Poser des conducteurs de plus grand diamètre entre le compteur et la boîte de commande. Poser des conducteurs de plus grand diamètre entre la boîte de commande et la pompe. Au besoin, demander à la Compagnie d'électricité d'augmenter la tension du courant d'alimentation.</p> <p>Nettoyer ou remplacer la crépine selon le besoin.</p> <p>Dégripper le clapet.</p> <p>Remplacer la pompe.</p>
<p><b>De l'air ou de l'eau laiteuse sort des robinets</b> Gaz dans l'eau du puits.</p> <p>Le régulateur de volume d'air ne fonctionne pas (réservoirs standard seulement).</p>	<p>Vérifier s'il y a présence de gaz dans l'eau du puits.</p> <p>S'assurer que les orifices et que les clapets à billes ne sont pas obstrués.</p>	<p>Déposer les orifices de purge. Boucher les tés. S'assurer que les tés bouchés ne fuient pas. Au besoin, séparer le gaz de l'air avant son entrée dans le réservoir sous pression.</p> <p>Au besoin, remplacer la commande.</p>

## GARANTIE LIMITÉE

PENTAIR WATER garantit au consommateur initial (ci-après appelé l'« Acheteur ») que les produits énumérés dans les présentes sont exempts de défaut de matériau et de fabrication pendant la durée des garanties indiquées ci-dessous.

Produits	Durée des garanties
Produits de systèmes d'eau — Pompes à éjecteur, petites pompes centrifuges, pompes submersibles et tous les accessoires connexes	<i>Selon le premier terme atteint :</i> 12 mois à compter de la date de la première installation ou 18 mois à compter de la date de fabrication

Nos garanties ne s'appliquent pas aux produits ayant fait l'objet de négligence, d'une mauvaise utilisation, d'une mauvaise installation ou d'un manque d'entretien adéquat. Sans aucune limitation des présentes, la garantie des moteurs triphasés submersibles sera nulle et non avenue si ces moteurs sont branchés et fonctionnent sur le courant monophasé par l'intermédiaire d'un déphaseur. Il faut également noter que les moteurs triphasés doivent être protégés par un relais de surcharge tripolaire thermocompensé à déclenchement extrêmement rapide du calibre recommandé, sinon la garantie sera nulle et non avenue.

Le seul recours de l'Acheteur et la seule responsabilité de PENTAIR WATER consistent à réparer ou à remplacer (au choix de PENTAIR WATER) les produits qui se révéleraient défectueux. L'Acheteur s'engage à payer tous les frais de main-d'œuvre et d'expédition du produit couvert par sa garantie et de s'adresser au concessionnaire-installateur ayant procédé à l'installation dès qu'un problème est découvert pour obtenir un service sous garantie. Aucune demande de service en vertu de sa garantie ne sera acceptée après expiration de la durée de sa garantie. Ces garanties ne sont pas transférables.

PENTAIR WATER DÉCLINE TOUTE RESPONSABILITÉ POUR TOUT DOMMAGE INDIRECT OU FORTUIT QUEL QU'IL SOIT.

LES PRÉSENTES GARANTIES SONT EXCLUSIVES ET TIENNENT LIEU DE TOUTE AUTRE GARANTIE FORMELLE ET TACITE, Y COMPRIS, MAIS SANS S'Y LIMITER, TOUTE GARANTIE TACITE DE QUALITÉ MARCHANDE OU DE CONVENANCE DU PRODUIT À UNE FIN PARTICULIÈRE. LA DURÉE DES PRÉSENTES GARANTIES NE DEVRA PAS DÉPASSER LA DURÉE DES GARANTIES FORMELLES STIPULÉES DANS LES PRÉSENTES.

Certains états, territoires et certaines provinces ne permettent pas l'exclusion ou la limitation des dommages indirects ou fortuits, ni les limitations relatives à la durée des garanties tacites. Par conséquent, il se peut que les limitations ou les exclusions stipulées dans les présentes ne s'appliquent pas dans ce cas. Ces garanties accordent des droits juridiques précis, bien que l'on puisse bénéficier d'autres droits, selon la province, le territoire ou l'état dans lequel on réside.

Ces garanties remplacent et annulent toutes les garanties précédemment publiées.

**PENTAIR WATER**  
**293 Wright St., Delavan, WI 53115**



# MANUAL DEL PROPIETARIO

## INSTRUCCIONES DE INSTALACIÓN Y OPERACIÓN

Patente de los EE.UU. 5,133,639

### BOMBAS SUMERGIBLES DE 4"

**Bifilares y Trifilares**

**Monofásicas y Trifásicas**

**1/2 hasta 7-1/2 H.P.**

**60 Hz**

Anote la siguiente información de las chapas del motor y de la bomba para referencia futura:

No. de modelo de la bomba

---

No. de serie de la bomba

---

No. de modelo del motor

---

No. de serie del motor

---

H.P. Voltios/Hz/Fase

---

Corriente nominal extraída

---

## Lea y siga cuidadosamente todas las instrucciones de seguridad en este manual o en la bomba.

**⚠️** Esta es una alerta de seguridad. Cuando vea este símbolo en su bomba o en este manual, busque una de las siguientes palabras de advertencia y esté alerta a posibles lesiones personales:

**⚠️ PELIGRO** advierte sobre peligros que **provocarán** lesiones personales graves, muerte o daños materiales importantes si se les ignora.

**⚠️ ADVERTENCIA** advierte sobre peligros que **pueden** provocar lesiones personales graves, muerte o daños materiales importantes si se les ignora.

**⚠️ PRECAUCIÓN** advierte sobre peligros que **provocarán** o **pueden** provocar lesiones personales o daños materiales de menor importancia si se les ignora.

La palabra **AVISO** indica instrucciones especiales que son importantes pero que no están relacionadas con los peligros.

**Para evitar lesiones personales graves o fatales y posibles daños materiales, lea y siga cuidadosamente las instrucciones de seguridad.**

1. **⚠️ ADVERTENCIA** **Presión peligrosa.** En ciertas situaciones, las bombas sumergibles pueden desarrollar una presión extremadamente alta. Instale una válvula de desahogo de presión capaz de pasar todo el caudal de la bomba a 75 PSI (517 kPa) cuando use un tanque de presión de aire sobre agua. Instale una válvula de desahogo de presión capaz de pasar todo el caudal de la bomba a 100 PSI (690 kPa) cuando use un tanque de presión precargado.

**⚠️** No permita que la bomba, el tanque de presión, la tubería ni ningún otro componente del sistema que contenga agua, se congelen. El congelamiento puede dañar al sistema, provocando lesiones o inundaciones. La garantía quedará invalidada si se permite que los componentes de la bomba o del sistema se congelen.

2. **⚠️ ADVERTENCIA** **Tensión peligrosa.** Puede provocar choque eléctrico, quemaduras o muerte. Para evitar choques eléctricos peligrosos o fatales, use la bomba solamente dentro de un pozo de agua.

**⚠️ ADVERTENCIA** **Riesgo de choque eléctrico peligroso o fatal.** No instale esta bomba en estanques, ríos o masas de agua abiertas que se puedan usar para natación o recreación. No nade, camine ni juegue en masas de agua en las que se haya instalado una bomba sumergible.

**⚠️** Cumpla con el Código Eléctrico Nacional de los Estados Unidos, el Código Eléctrico Canadiense y los códigos locales (que correspondan) para todo el cableado.

**⚠️** Desconecte el suministro de corriente eléctrica antes de instalar la bomba o de realizar tareas de reparación y mantenimiento.

**⚠️** Verifique que la tensión de línea y la frecuencia del suministro de corriente eléctrica coincidan con la tensión y la frecuencia indicadas en la chapa de fábrica.

3. Instale la bomba conforme a todos los requisitos de los códigos de plomería, para bombas y pozos.  
4. Haga una prueba de pureza en el agua antes de usar el pozo. Llame a su departamento local

de sanidad para obtener información sobre los procedimientos para realizar la prueba.

5. Durante la instalación, mantenga el pozo cubierto lo más posible para evitar que hojas u objetos extraños caigan dentro del mismo. Los objetos extraños en el pozo pueden contaminar el agua y ocasionar daños mecánicos serios en la bomba.

6. Los compuestos para juntas de tuberías pueden ocasionar rajaduras en el plástico. Use solamente cinta de teflón para sellar las juntas en tuberías de plástico o en tuberías de conexión a bombas de termo-plástico.

## ÍNDICE

Instrucciones de seguridad .....	56
Antes de la instalación.....	56
Información general eléctrica.....	56-73
PENTEK Serie XE.....	58-59
PENTEK Serie T (Monofásico y Trifásico) .....	60-62
Franklin .....	63-66
Diagramas de cableado .....	67-73
Instalación.....	74-75
Encendido inicial .....	75-76
Usos con aguas residuales/efluente .....	76
Conexión del sistema de tanque-agua .....	76-78
Guía para la localización de fallas.....	79-80
Garantía .....	81

## ANTES DE LA INSTALACIÓN

Verifique que la bomba y el motor no se hayan averiado durante la entrega.

Reporte todo daño inmediatamente a la empresa de transportes o a su representante de ventas.

El perforador del pozo deberá preparar el pozo debidamente (es decir, deberá bombear toda la arena fina y los objetos extraños) antes de instalar la bomba.

El desempeño de la bomba se basa en que pueda bombear agua líquida transparente y fría.

La garantía quedará invalidada en las siguientes situaciones:

- Si la bomba tiene demasiada arena - el exceso de arena puede provocar un desgaste prematuro de la bomba.
- Si el agua es corrosiva.
- Si el agua bombeada arrastra aire o gas - esto puede reducir el caudal y provocar cavitación lo que a su vez podrá dañar a la bomba.
- Si la bomba ha sido operada con la válvula de descarga cerrada - pueden ocurrir daños internos graves.

Instale la bomba por lo menos entre 15 y 20' (4.5 y 6 m) por debajo del nivel más bajo de agua alcanzado con la bomba en funcionamiento (nivel de extracción de agua más bajo), y por lo menos a 5' (1.5 m) por encima del fondo del pozo.

## CABLEADO / PUESTA A TIERRA:

**⚠️ ADVERTENCIA** **Tensión peligrosa. Puede provocar choque eléctrico, quemaduras o muerte. Conecte la bomba, el motor y la caja de control a tierra en forma permanente antes de conectar el suministro corriente eléctrica al motor.**

Conecte la bomba y el motor a tierra conforme a los códigos y normas locales. Use un cable de cobre de conexión a tierra que sea por lo menos tan grande como los cables que llevan la corriente al motor.

El motor viene equipado con un cable de cobre de puesta a tierra. Empalme este cable a tierra a un conductor de cobre que concuerde con el tamaño del hilo del motor especificado en los cuadros de tamaños de cables, en las páginas 58, 59, 61, 65 y 66. Consulte las páginas 74 y 75 para obtener las instrucciones sobre cómo empalmar el cable.

Conecte la bomba, el motor y la caja de control a tierra en forma permanente antes de conectar el cordón eléctrico al suministro de corriente eléctrica. Conecte el cable de puesta a tierra primero a la tierra aprobada y después conéctelo a la máquina que esté instalando. **No haga la conexión a tierra a través de una línea de suministro de gas.**

**▲ ADVERTENCIA** Peligro de incendio y de choque eléctrico. Si usa un cable de derivación mayor que el No. 10 (5.5. mm<sup>2</sup>) (por ejemplo No. 8 (8,4 mm<sup>2</sup>) entre la bomba y la caja de control, haga correr un cable a una caja de derivación separada. Conecte la caja de derivación a la caja de control con un cable No. 10 (5.5 mm<sup>2</sup>).

Para obtener mayor información, comuníquese con los representantes oficiales locales del código.

## CONEXIONES DE LOS CABLES:

Cumpla con el Código Eléctrico Nacional de los Estados Unidos, el Código Eléctrico Canadiense y los códigos locales (que correspondan) en todo el cableado.

Use solamente cables de cobre para las conexiones a la bomba y a la caja de control.

Para evitar que el cable se recaliente y una derivación excesiva de tensión al motor, verifique que el tamaño del cable sea por lo menos tan grande como el tamaño indicado en el Cuatro V para la potencia (HP) de la bomba y el largo del trayecto del cable.

**AVISO:** Consulte las páginas 69 a 73 para obtener la información de las conexiones típicas de cables y la identificación de la caja de control.

**AVISO:** Cuando **no** se haya suministrado una protección integral contra recalentamiento, use un control de sobrecarga de motor aprobado que coincida con la admisión del motor a máxima intensidad. Seleccione o ajuste el (los) elemento(s) de sobrecarga según las instrucciones del control. Cuando **se** haya suministrado una protección integral contra recalentamiento, use un control de motor aprobado que coincida con la admisión del motor a máxima intensidad.

## Rotación - (trifásico solamente)

Para verificar que el motor esté marchando en la dirección correcta, proceda cuidadosamente de la siguiente manera:

Después de haber hecho las conexiones eléctricas según se indica, y con la bomba colgando en el pozo, sostenida por la abrazadera en el tubo de descarga, encienda y apague el interruptor que conecta el motor a la línea de suministro de corriente eléctrica.

Observe la rotación de la bomba cuando se encienda el motor. Si las conexiones se hicieron debidamente, la bomba “saltará” hacia la derecha si está mirando hacia la descarga de la bomba cuando se encienda. Si el “salto” es hacia la izquierda, el motor estará marchando en la dirección incorrecta. Cambie dos cables conductores cualesquiera en el lugar en que se conectan a

los bornes de los “conductores” en el arranque magnético. Con las conexiones debidamente hechas, y la bomba dentro del agua, encienda el interruptor nuevamente y la bomba deberá extraer el agua según los gráficos de desempeño.

## PROTECCIÓN CONTRA SOBRECARGA DE MOTORES SUMERGIBLES TRIFÁSICOS - REQUIERE PROTECCIÓN DE CLASE 10

Las características de los motores sumergibles son diferentes de las de los motores estándar y se requiere una protección especial contra sobrecarga.

Si el motor se para, el protector contra sobrecarga deberá dispararse dentro de los 10 segundos para proteger las bobinas del motor. Todas las selecciones recomendadas para sobrecarga son del tipo compensado para el medio ambiente de manera de que se pueda mantener la protección tanto a temperaturas de aire altas como bajas.

Todas las graduaciones de los calentadores y del amperaje ilustradas se basan en el amperaje total de la línea.

Cuando use un motor de seis conductores con un arranque Wye-Delta, divida el amperaje del motor por 1,732 para seleccionar o ajustar los calentadores de amperios de la fase.

Consulte el Cuadro VII para obtener las especificaciones de sobrecarga para los motores PENTEK.

**AVISO:** La garantía de los motores sumergibles trifásicos queda invalidada a menos que se use una protección adecuada de disparo rápido en las tres líneas del motor.

## SUPRESORES DE ONDAS EN LA CAJA DE CONTROL

**Puesta a tierra:** Cuando la caja tenga un supresor de ondas, éste **DEBERÁ** estar conectado a tierra, metal a metal, completamente hasta los estratos de agua para que surta efecto. Un supresor conectado a una varilla de puesta a tierra hincada, proporcionará poca o ninguna protección al motor.

**AVISO:** Los supresores de ondas **NO** protegen contra las descargas directas de rayos.

Instale supresores de ondas conectados a tierra para proteger la bomba contra sobretensiones altas. Instale el supresor en la línea de corriente que entra a la caja de control o al manóstató, tan cerca del motor de la bomba como sea posible. Consulte las Figuras 1 y 2 con los diagramas de instalación de cables para los supresores.

**AVISO:** Conecte el supresor a tierra con un cable desnudo No. 10 o mayor. La puesta a tierra se debe realizar conforme a los requisitos del código local.

**AVISO:** Si los supresores de ondas conectados a la caja de control infringen los códigos eléctricos locales, comuníquese con la empresa de suministro de corriente eléctrica para obtener la información correcta sobre el cableado.

## Motores PENTEK Serie XE, Control de motor sumergible y Especificaciones sobre los fusibles / cables

**CUADRO I-CDIR: Información sobre los fusibles recomendados – Motores de bombas sumergibles a inducción PENTEK Serie XE, 60 Hz., monofásicos, trifilares**

HP	Voltios/Hz/Fase	Resistencia del devanado del motor, ohmios		Factor de sobrecarga	Rotor bloqueado-	Tamaño del fusible estándar / doble
		R a A	N a A	Amperios	Amperios	
1/2	115/60/1	5.7-7.0	0.9-1.6	12.6	49.6	30/20/30
1/2	230/60/1	17.4-18.7	4.2-4.9	6.3	22.3	15/10/15
3/4	230/60/1	11.8-13.0	2.6-3.6	8.3	32.0	20/10/20
1	230/60/1	11.3-12.3	2.2-3.2	9.7	41.2	25/15/25

**CUADRO I-CSCR: Información sobre los fusibles recomendados – Motores PENTEK Serie XE de 60 Hz, monofásicos, trifilares, de marcha por capacitor, para bombas sumergibles**

HP	Voltios/Hz/Fase	Resistencia del devanado del motor, ohmios		Factor de sobrecarga	Rotor bloqueado-	Tamaño del fusible estándar / doble
		R a A	N a A	Amperios	Amperios	
1/2	230/60/1	17.4-18.7	4.2-4.9	4.9	22.3	15/10/10
3/4	230/60/1	11.8-13.0	2.6-3.6	6.3	32.0	20/10/15
1	230/60/1	11.3-12.3	2.2-3.2	7.2	41.2	20/10/15
1-1/2	230/60/1	7.9-8.7	1.6-2.3	11.1	47.8	30/15/25
2	230/60/1	10.8-12.0	1.6-2.2	12.2	49.4	30/20/25
3	230/60/1	2.0-2.5	1.1-1.4	16.5	76.4	45/25/40
5	230/60/1	1.36-1.66	0.62-0.76	27	101.0	70/40/60

**CUADRO III-CSIR: Largo del cable de cobre en PIES (Servicio al motor) Arranque por capacitor, Marcha a inducción**

**Motores PENTEK Serie XE, monofásicos, con cable trifilar, 60 Hz, tamaño de los hilos AWG**

Trifilar en pies	HP	Volt	Tamaño de los hilos, AWG; longitud de los hilos en pies										
			14	12	10	8	6	4	3	2	1	0	00
	0.5	115	87	138	221	349	544	867	1090	1376	1734	2188	2761
	0.5	230	348	553	883	1398	2175	3467	4359	5505	6935	8753	
	0.75	230	264	420	670	1061	1651	2632	3309	4178	5264	6644	8383
	1	230	226	359	573	908	1413	2252	2831	3575	4504	5685	7173

**CUADRO III-CSCR: Largo del cable de cobre en PIES (Servicio al motor) Arranque por capacitor, Marcha por capacitor**

**Motores PENTEK Serie XE, monofásicos, con cable trifilar, 60 Hz, tamaño de los hilos AWG**

Trifilar en pies	HP	Volt	Tamaño de los hilos, AWG; longitud de los hilos en pies										
			14	12	10	8	6	4	3	2	1	0	00
	0.5	230	447	711	1135	1797	2796	4458	5604	7078	8916	11254	
	0.75	230	348	553	883	1396	2175	3467	4359	5505	6935	8753	11044
	1	230	304	484	772	1223	1903	3034	3814	4817	6068	7659	9663
	1.5	230	197	314	501	793	1234	1968	2474	3124	3936	4968	6268
	2	230	180	286	456	722	1123	1790	2251	2843	3581	4520	5703
	3	230	133	211	337	534	830	1324	1664	2102	2648	3342	4217
	5	230			206	326	507	809	1017	1284	1618	2042	2577

**CUADRO III-2W: Largo del cable de cobre en PIES (Servicio al motor) bifilar**

**Motores PENTEK Serie XE, monofásicos, con cable bifilar, 60 Hz, tamaño de los hilos AWG**

Bifilar en pies	HP	Volt	Tamaño de los hilos, AWG; longitud de los hilos en pies										
			14	12	10	8	6	4	3	2	1	0	00
	0.5	115	115	183	293	463	721	1150	1445	1825	2299	2902	3662
	0.5	230	466	742	1183	1874	2915	4648	5843	7379	9295	11733	14803
	0.75	230	342	545	869	1376	2141	3413	4291	5419	6826	8617	10871
	1	230	241	383	611	968	1506	2400	3018	3811	4801	6060	7646
	1.5	230	199	317	505	801	1246	1986	2496	3153	3972	5013	6325

**CUADRO II: Información sobre los fusibles recomendados - Motores de bombas sumergibles PENTEK Serie XE, 60 Hz., monofásicos, bifilares**

HP	Voltios/Hz/Fase	Resistencia del devanado del motor, ohmios	Factor de sobrecarga	Rotor bloqueado-	Tamaño del fusible estándar / doble
		Amperios	Amperios	Amperios	
1/2	115/60/1	1.3-1.8	9.5	36.4	25/15/20
1/2	230/60/1	4.5-5.2	4.7	19.5	15/10/10
3/4	230/60/1	3.0-4.8	6.4	24.8	20/10/15
1	230/60/1	4.2-5.2	9.1	21.7	25/15/20
1-1/2	230/60/1	1.9-2.3	11.0	42.0	30/15/25

NOTA: Los cables de conexión de los motores bifilares no están codificados a color. La sobrecarga está ubicada en el motor y no se puede hacer una prueba de la misma desde la superficie.

NOTA: Los tamaños indicados son para hilos de cobre. Para los cables de aluminio, suba dos tamaños. Por ejemplo, si el cuadro indica el No. 12 (3 mm<sup>2</sup>) para hilos de cobre, use No. 10 (5 mm<sup>2</sup>) para hilos de aluminio. Use inhibidores de corrosión en todas las conexiones.

**CUADRO III-M-CSIR: Largo del cable de cobre en METROS (Servicio al motor) Arranque por capacitor, Marcha a inducción**

**Motores PENTEK Serie XE, monofásicos, con cable trifilar, 60 Hz, tamaño de los hilos AWG**

Trifilar en metros	HP	Volt	Tamaño de los hilos, AWG; longitud de los hilos en metros										
			14	12	10	8	6	4	3	2	1	0	00
			0.5	115	27	42	67	107	166	264	332	419	528
0.5	230	106	169	269	426	663	1057	1329	1678	2114	2668		
0.75	230	80	128	204	323	503	802	1008	1274	1604	2025	2555	
1	230	69	110	175	277	431	686	863	1090	1373	1733	2186	

**CUADRO III-M-CSCR: Largo del cable de cobre en METROS (Servicio al motor) Arranque por capacitor, Marcha por capacitor**

**Motores PENTEK Serie XE, monofásicos, con cable trifilar, 60 Hz, tamaño de los hilos AWG**

Trifilar en metros	HP	Volt	Tamaño de los hilos, AWG; longitud de los hilos en metros										
			14	12	10	8	6	4	3	2	1	0	00
			0.5	230	136	217	346	548	852	1359	1708	2157	2718
0.75	230	106	169	269	426	663	1057	1329	1678	2114	2668	3366	
1	230	93	148	235	373	580	925	1163	1468	1849	2335	2945	
1.5	230	60	96	153	242	376	600	754	952	1200	1514	1910	
2	230	55	87	139	220	342	546	686	866	1091	1378	1738	
3	230	40	64	103	163	253	404	507	641	807	1019	1285	
5	230			63	99	155	247	310	391	493	623	785	

**CUADRO III-M-2W: Largo del cable de cobre en METROS (Servicio al motor) bifilar**

**Motores PENTEK Serie XE, monofásicos, con cable bifilar, 60 Hz, tamaño de los hilos AWG**

Bifilar en metros	HP	Volt	Tamaño de los hilos, AWG; longitud de los hilos en metros										
			14	12	10	8	6	4	3	2	1	0	00
			0.5	115	35	56	89	141	220	350	441	556	701
0.5	230	142	226	361	571	889	1417	1781	2249	2833	3576	4512	
0.75	230	104	166	265	419	653	1040	1308	1652	2081	2626	3314	
1	230	73	117	186	295	459	732	920	1162	1463	1847	2330	
1.5	230	61	97	154	244	380	605	761	961	1211	1528	1928	

**CUADRO IV: Coordinación del Control / Motor PENTEK**

Motores Serie XE No de Modelo (trifilar)	HP	Voltios/ Hz/Fase	Tipo de control de motor sumergible SMC	
			CSIR	CSCR
P43B0005A1	1/2	115/60/1	SMC-IR0511	–
P43B0005A2	1/2	230/60/1	SMC-IR0521	SMC-CR0521
P43B0007A2	3/4	230/60/1	SMC-IR0721	SMC-CR0721
P43B0010A2	1	230/60/1	SMC-IR1021	SMC-CR1021
P43B0015A2	1-1/2	230/60/1	–	SMC-CR1521
P43B0020A2	2	230/60/1	–	SMC-CR2021

**NOTA:** Los motores PENTEK Series XE con números de modelo que comienzan en 'P42' son motores bifilares y no usan un control de motor sumergible.

**CUADRO V: Información sobre los fusibles recomendados - Motores de bombas sumergibles PENTEK Serie XE, 60 Hz., trifásicos**

HP	Voltios/Hz/Fase	Resistencia del devanado del motor, ohmios L to L	Factor de sobrecarga Amperios	Rotor bloqueado Amperios	Tamaño del fusible estándar / doble
1/2	230/60/3	5.7-7.2	2.9	17	6/6/6
3/4	230/60/3	3.3-4.3	3.9	27	6/6/6
1	230/60/3	4.1-5.1	4.7	26	10/6/10
1-1/2	230/60/3	2.8-3.4	6.1	32	15/10/15
2	230/60/3	1.8-2.4	7.6	44	15/15/20
3	230/60/3	1.3-1.7	10.1	59	25/15/25
5	230/60/3	0.85-1.25	17.5	93	45/30/40
7-1/2	230/60/3	0.55-0.85	26.4	140	70/45/60
1/2	200/60/3	4.1-5.2	3.4	22	10/6/10
3/4	200/60/3	2.6-3.0	4.5	32	15/10/10
1	200/60/3	3.4-3.9	5.5	29	15/10/10
1-1/2	200/60/3	1.9-2.5	7.2	40	20/10/15
2	200/60/3	1.4-2.0	8.8	51	25/15/20
3	200/60/3	0.9-1.3	12.0	71	35/20/30
5	200/60/3	0.4-0.8	20.2	113	60/35/50
7-1/2	200/60/3	0.5-0.6	30.0	165	80/50/70
1/2	460/60/3	23.6-26.1	1.5	9	3/3/3
3/4	460/60/3	14.4-16.2	2.0	14	3/6/3
1	460/60/3	17.8-18.8	2.5	13	6/3/6
1-1/2	460/60/3	12.3-13.1	3.2	16	10/6/6
2	460/60/3	8.0-8.7	3.8	23	15/6/10
3	460/60/3	5.9-6.5	5.3	30	15/10/15
5	460/60/3	3.6-4.0	8.5	48	25/15/20
7-1/2	460/60/3	1.9-2.3	13.5	87	40/25/35
1-1/2	575/60/3	19.8-20.6	2.4	12	6/3/6
2	575/60/3	9.4-9.7	3.3	21	10/6/10
3	575/60/3	9.4-9.7	4.1	21	10/10/10
5	575/60/3	3.6-4.2	7.6	55	25/15/20
7-1/2	575/60/3	3.6-4.2	10.0	55	25/20/25

**CUADRO VI-230 Voltios: Largo del cable de cobre en PIES (Servicio al motor)**

Motores PENTEK Serie XE: Trifasicos, 60 Hz. tamaño de los hilos

Longitud en pies	HP	Voltios/Hz/Fase	Kw	Tamaño de los hilos, AWG; longitud de los hilos en pies											
				14	12	10	8	6	4	3	2	1	0	00	
				1/2	230/60/3	.37	645	1025	1635	2590	4030	6425			
3/4	230/60/3	.55	562	894	1426	2258	3513	5601	7041						
1	230/60/3	.75	466	742	1183	1874	2915	4648	5843	7379					
1-1/2	230/60/3	1.1	359	571	912	1444	2246	3581	4502	5685	7162	9040			
2	230/60/3	1.5	288	459	732	1159	1803	2874	3613	4563	5748	7256	9155		
3	230/60/3	2.2	217	345	551	872	1357	2163	2719	3434	4326	5460	6889		
5	230/60/3	3.7			318	503	783	1248	1569	1982	2496	3151	3976		
7-1/2	230/60/3	5.5				334	519	827	1040	1314	1655	2089	2635		

**CUADRO VI-M-230 Voltios: Largo del cable de cobre en METROS (Servicio al motor)**

Motores PENTEK Serie XE: Trifasicos, 60 Hz. tamaño de los hilos

Longitud en metros	HP	Voltios/Hz/Fase	Kw	Tamaño de los hilos, AWG; longitud de los hilos en metros											
				14	12	10	8	6	4	3	2	1	0	00	
				1/2	230/60/3	.37	196	313	498	789	1228	1958			
3/4	230/60/3	.55	171	272	435	688	1071	1797	2146						
1	230/60/3	.75	142	226	361	571	889	1417	1781	2249					
1-1/2	230/60/3	1.1	110	174	278	440	685	1091	1372	1733	2183	2756			
2	230/60/3	1.5	88	140	223	353	550	876	1101	1391	1752	2212	2790		
3	230/60/3	2.2	66	105	168	266	414	659	829	1047	1318	1664	2100		
5	230/60/3	3.7			97	153	239	380	478	604	761	960	1212		
7-1/2	230/60/3	5.5				102	158	252	317	400	504	637	803		

**CUADRO VI–200 Voltios: Largo del cable de cobre en PIES (Servicio al motor)**

**Motores PENTEK Serie XE: 200V, Trifasicos, 60 Hz. tamaño de los hilos**

Longitud en pies	HP	Voltios/ Hz/Fase	Kw	Tamaño de los hilos, AWG; longitud de los hilos en pies											
				14	12	10	8	6	4	3	2	1	0	00	
				1/2	200/60/3	0.37	560	892	1422	2252					
3/4	200/60/3	0.55	423	674	1074	1702	2648								
1	200/60/3	0.75	346	551	879	1392	2166	3454	4342						
1.5	200/60/3	1.1	265	421	672	1064	1655	2638	3317						
2	200/60/3	1.5	217	344	549	870	1354	2158	2714	3427	4317	5449			
3	200/60/3	2.2	159	253	403	638	993	1583	1990	2513	3166	3996			
5	200/60/3	3.7	94	150	239	379	590	940	1182	1493	1881	2374	2995		
7.5	200/60/3	5.5	64	101	161	255	397	633	796	1005	1266	1598	2017		

**CUADRO VI-M–200 Voltios: Largo del cable de cobre en METROS (Servicio al motor)**

**Motores PENTEK Serie XE: 200V, Trifasicos, 60 Hz. tamaño de los hilos**

Longitud en metros	HP	Voltios/ Hz/Fase	Kw	Tamaño de los hilos, AWG; longitud de los hilos en metros											
				14	12	10	8	6	4	3	2	1	0		
				1/2	200/60/3	0.37	171	272	433	686					
3/4	200/60/3	0.55	129	205	327	519	807								
1	200/60/3	0.75	106	168	268	424	660								
1.5	200/60/3	1.1	81	128	205	324	504								
2	200/60/3	1.5	66	105	167	265	413	658							
3	200/60/3	2.2	48	77	123	195	303	482							
5	200/60/3	3.7	29	46	73	116	180	287	360						
7.5	200/60/3	5.5	19	31	49	78	121	193	243	306	386	487			

**CUADRO VI–460 Voltios: Largo del cable de cobre en PIES (Servicio al motor)**

**Motores PENTEK Serie XE: 460V, Trifasicos, 60 Hz. tamaño de los hilos**

Longitud en pies	HP	Voltios/ Hz/Fase	Kw	Tamaño de los hilos, AWG; longitud de los hilos en pies									
				14	12	10	8	6	4	3	2		
				1/2	460/60/3	0.37	2922	4648	7414				
3/4	460/60/3	0.55	2191	3486	5560	8806							
1	460/60/3	0.75	1753	2789	4448	7045							
1.5	460/60/3	1.1	1370	2179	3475	5504							
2	460/60/3	1.5	1153	1835	2926	4635	7212						
3	460/60/3	2.2	827	1315	2098	3323	5171						
5	460/60/3	3.7	516	820	1308	2072	3224	5140					
7.5	460/60/3	5.5	325	516	824	1305	2030	3236	4068	5138			

**CUADRO VI-M–460 Voltios: Largo del cable de cobre en METROS (Servicio al motor)**

**Motores PENTEK Serie XE: 460V, Trifasicos, 60 Hz. tamaño de los hilos**

Longitud en metros	HP	Voltios/ Hz/Fase	Kw	Tamaño de los hilos, AWG; longitud de los hilos en metros									
				14	12	10	8	6	4	3	2		
				1/2	460/60/3	0.37	891	1417	2260				
3/4	460/60/3	0.55	668	1063	1695	2684							
1	460/60/3	0.75	534	850	1356	2147							
1.5	460/60/3	1.1	417	664	1059	1678							
2	460/60/3	1.5	352	559	892	1413	2198						
3	460/60/3	2.2	252	401	640	1013	1576						
5	460/60/3	3.7	157	250	399	632	983	1567					
7.5	460/60/3	5.5	99	157	251	398	619	986	1240	1566			

**TABLE VI–575 Voltios: Largo del cable de cobre en PIES (Servicio al motor)**

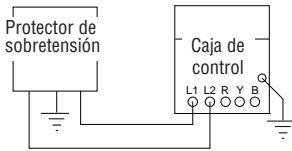
**Motores PENTEK Serie XE: 575V, Trifasicos, 60 Hz. tamaño de los hilos**

Longitud en pies	HP	Voltios/ Hz/Fase	Kw	Tamaño de los hilos, AWG; longitud de los hilos en pies				
				14	12	10	8	6
1.5	575/60/3	1.1	2283	2283	3631	5792		
2	575/60/3	1.5	1660	2641	4212	6671		
3	575/60/3	2.2	1336	2126	3390	5370		
5	575/60/3	3.7	721	1147	1829	2897	4507	
7.5	575/60/3	5.5	548	871	1390	2202	3426	

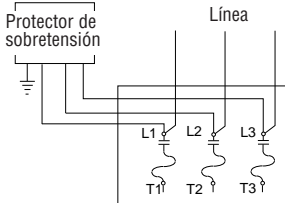
**TABLE VI-M–575 Voltios: Largo del cable de cobre en METROS (Servicio al motor)**

**Motores PENTEK Serie XE: 575V, Trifasicos, 60 Hz. tamaño de los hilos**

Longitud en metros	HP	Voltios/ Hz/Fase	Kw	Tamaño de los hilos, AWG; longitud de los hilos en metros				
				14	12	10	8	6
1.5	575/60/3	1.1	696	696	1107	1765		
2	575/60/3	1.5	506	805	1284	2033		
3	575/60/3	2.2	407	648	1033	1637		
5	575/60/3	3.7	220	350	557	883	1374	
7.5	575/60/3	5.5	167	266	424	671	1044	



**FIGURA 1 – Protector de sobretensión típico, trifilar, monofásico, de 230 Voltios**



**FIGURA 2 - Protector de sobretensión trifásico (650 Voltios máximo)**

**NOTAS del Cuadros III y VI:**

1. Los tamaños indicados son para hilos de cobre. Para los cables de aluminio, suba dos tamaños. Por ejemplo, si el cuadro indica el No. 12 (3 mm<sup>2</sup>) para hilos de cobre, use No. 10 (5 mm<sup>2</sup>) para hilos de aluminio. Use inhibidores de corrosión en todas las conexiones.
2. Para la operación fiable de un arranque trifásico, el largo del cable entre el arrancador y la entrada de servicio no debe ser mayor que el 25% del largo total del cable.



## CUADRO VII – Dispositivos de sobrecarga para motores PENTEK, trifásicos, 60 Hz, 4"

HP	KW	Voltios	Tamaño del arrancador NEMA	Calentadores para Relés de Sobrecarga			Relés regulables (Nota D)	
				Furnas (Nota A)	Allen Bradley (Nota B)	GE (Nota C)	Configuración	Máx.
1.5	1.1	230	00	K39	J21	L680A	5.5	5.9
		460	00	K29	J15	L343A	2.8	3.0
		575	00	K26	J12	L282A	2.2	2.4
2	1.5	230	0	K49	J25	L910A	7.5	8.1
		460	00	K33	J18	L463A	3.8	4.1
		575	00	K29	J15	L380A	3.0	3.2
3	2.2	230	0	K52	J28	L122B	10.1	10.9
		460	0	K37	J21	L618A	5.1	5.5
		575	0	K34	J19	L510A	4.1	4.4
5	3.7	230	1	K61	J33	L199B	16.6	17.8
		460	0	K49	J26	L100B	8.3	8.9
		575	0	K42	J23	L825A	6.6	7.1
7-1/2	5.5	230	1	K67	J37	L293B	24.6	26.4
		460	1	K55	J30	L147B	12.3	13.2
		575	1	K52	J28	L122B	9.9	10.6
10	7.5	460	1	K61	J33	L220B	17.5	18.8
		575	1	K57	J31	L181B	14.0	15.0

### NOTAS DEL CUADRO VII:

**NOTA A:** Aplique los tamaños intermedios de Furnas entre los tamaños de arranque NEMA en donde se indique (1) en los cuadros. El tamaño de 1-3/4 sustituye al 2, el 2-1/2 sustituye al 3, el 3-1/2 sustituye al 4 y el 4-1/2 sustituye al 5. Los calentadores se han seleccionado del Catálogo 294, Cuadro 332 y Cuadro 632 (tamaño de arranque 00, tamaño B). Los arranques de tamaño 4 son para el tipo de calentador de tipo 4 (JG). Los arranques que usan estos cuadros de calentadores incluyen las clases 14, 17 y 18 (INNOVA), las clases 36 y 37 (de tensión reducida), y las clases 87, 88 y 89 (centros de mando de la bomba y del motor).

Configure los ajustes del relé de sobrecarga a no más del 100%, a menos que fuese necesario para detener disparos injustificados cuando los amperios medidos en todas las líneas se encuentren por debajo del máximo de la placa de fábrica. Para las selecciones de calentadores con arranque de clase 16 (Magnético de Propósito Definido), comuníquese con el Departamento de Atención al Cliente de Pentair Water.

**NOTA B:** Los calentadores Allen-Bradley se han seleccionado del Catálogo IC-110, Cuadro 162 (hasta arranques de tamaño 4), Cuadro 547 (arranque de tamaño 5), y Cuadro 196 (arranque de tamaño 6). Los boletines 505, 509, 520, 540 y 570 usan estos cuadros de calentadores. Comuníquese con el Departamento de Atención al Cliente de Pentair Water para obtener información sobre las selecciones de calentadores para los arranques de los boletines 1232X y 1233X.

**NOTA C:** Los calentadores General Electric son de tipo CR123, se pueden usar sólo en relés de sobrecarga tipo CR124, y se han seleccionado del Catálogo GEP-126OJ, página 184. Configure los ajustes del relé de sobrecarga a no más del 100%, a menos que fuese necesario para detener disparos injustificados cuando los amperios medidos en todas las líneas se encuentren por debajo del máximo de la placa de fábrica.

**NOTA D:** Las configuraciones de amperios del relé regulable de sobrecarga corresponden a los tipos aproba-

dos que se indican en la lista. Configure el ajuste del relé a los amperios especificados (SET amps). Si ocurre un disparo mientras los amperios en todas las líneas tienen una medida inferior al máximo de amperios de la placa de fábrica, es posible que se deba aumentar la configuración, pero ésta no deberá sobrepasar el valor MÁXIMO indicado.

### Relés de sobrecarga regulables recomendados (enumerados en orden alfabético)

**Serie AEG :** B175, B275, B27-2.

**Allen Bradley :** Bulletin 193, SMP-Class 10 solamente.

**Tipos Fanal:** K7 o K7D al K400.

**Franklin Electric:** Subtrol-Plus.

**General Electric:** CR4G, CR7G, RT\*1, RT\*2, RTF3, RT\*4, CR324X-Class 10 solamente.

**Tipos Klockner-Moeller:** Z00, Z1, Z4, PKZM1, PKZM3, PKZ2.

**Lovato:** RC9, RC22, RC80, RF9, RF25, RF95.

**Tipos Siemens:** 3UA50, -52, -54, -55, -58, -59, -60, -61, -62, -66, -68, -70, 3VUI3, 3VE, 3UB (Class 5).

**Tipos Sprecher y Schuh:** CT, CT1, CTA 1, CT3K, CT3-12 a CT3-42, KTA3, CEF1 & CET3 configurado a un máximo de 6 segundos, CEP 7 Class 10, CT4, 6, & 7, CT3.

**Square D/Telemecanique:** Class 9065 tipos TD, TE, TF, TG, TJ, TK, TR, TJE, TJF (Class 10) o LR1-D, LR1-F, LR2-D13, -D23, -D33, Types 18A, 32A, SS-Class 10, SR-Class 10 y 63-A- Series LB. Integral 18,32,63, GV2-L, GV2-M, GV2-P, GV3-M (1.6-10 amperios solamente).

**Tipos Westinghouse:** FT13, FT23, FT33, FT43, K7D, K27D, K67D, Advantage (Class 10), MOR, IQ500 (Class 5).

Otros tipos de relés de estos o de otros fabricantes pueden o no ofrecer una protección aceptable.

Comuníquese con el Departamento de Atención al Cliente de Pentair Water para obtener mayor información al respecto.

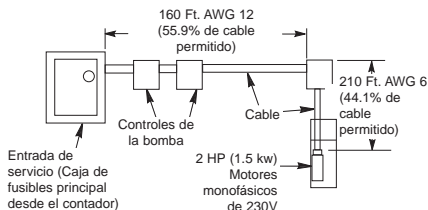
Es posible que ciertos tipos de [relés] de sobrecarga aprobados no se encuentren disponibles para todas las clasificaciones de los motores indicados en la lista. Cuando se usen relés con transformadores de corriente, divida los amperios especificados por la relación del transformador para obtener la configuración del relé.

## Cálculo del tamaño del cable cuando se pueden usar dos tamaños diferentes (en pies)

Hay ciertas condiciones que hacen que sea más conveniente usar más de un tamaño de cable en una instalación.

**Por ejemplo:** Cambie una bomba con un motor monofásico de 2 HP, 230 voltios, 60 Hz, con una graduación de profundidad 210' en el pozo y con 160' de cable #12 enterrado entre la entrada de servicio y el cabezal del pozo. Para no tener que reemplazar el cable enterrado, la pregunta es: ¿Qué tamaño de cable se necesita en el pozo? Calcule lo siguiente:

1. Según el Cuadro III, se permite un total de 286' de cable #12 para suministrar energía a un motor de 2 HP. El porcentaje de este total usado por los 160' de cable en el trayecto enterrado es:  
 $160'/286' = 0.559 = 55.9\%$ .



2. Con el 55.9% de cable permitido ya en uso, resta un 44.1% de la longitud total para usar en el pozo. Para evitar un trayecto de cable demasiado pequeño que reducirá la tensión al motor, debemos encontrar un cable de un tamaño suficientemente grande para que 210' sean menos del 44.1% de la longitud total permitida para ese tamaño.
3. Probando con un cable #10, el Cuadro III muestra que la longitud total permitida para un motor de 2 HP es de 456'.  
 $456' \times 44.1\% = 456' \times 0.441 = 201'$   
 Esto no es lo suficientemente largo.
4. Probando con un cable #8, el Cuadro III muestra que la longitud total permitida es de 722'.  
 $722' \times 44.1\% = 722' \times 0.441 = 318'$   
 Esto es más largo de lo necesario. Por lo tanto se puede usar el cable #8 para los 210' de cable en el pozo.

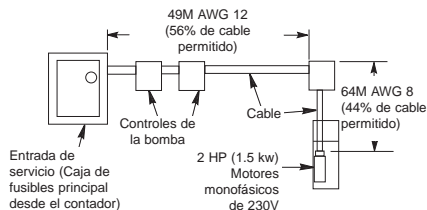
Se puede usar cualquier combinación de tamaños, siempre que el porcentaje total de la longitud de los dos tamaños del cable no sobrepase el 100% de las longitudes permitidas.

## Cálculo del tamaño del cable cuando se pueden usar dos tamaños diferentes (en metros)

Hay ciertas condiciones que hacen que sea más conveniente usar más de un tamaño de cable en una instalación.

**Por ejemplo:** Cambie una bomba con un motor monofásico de 2 HP, 230 voltios, 60 Hz, con una graduación de profundidad 64 m en el pozo y con 49 m de cable #12 enterrado entre la entrada de servicio y el cabezal del pozo. Para no tener que reemplazar el cable enterrado, la pregunta es: ¿Qué tamaño de cable se necesita en el pozo? Calcule lo siguiente:

1. Según el Cuadro III-M, se permite un total de 87 m de cable #12 para suministrar energía a un motor de 2 HP. El porcentaje de este total usado por los 49 m de cable en el trayecto enterrado es:  
 $49\text{ m}/87\text{ m} = 0.56 = 56\%$ .



2. Con el 56% de cable permitido ya en uso, resta un 44% de la longitud total para usar en el pozo. Para evitar un trayecto de cable demasiado pequeño que reducirá la tensión al motor, debemos encontrar un cable de un tamaño suficientemente grande para que 64 m sean menos del 44% de la longitud total permitida para ese tamaño.
3. Probando con un cable #10, el Cuadro III-M muestra que la longitud total permitida para un motor de 2 HP es de 139 m.  
 $139\text{ m} \times 44\% = 139\text{ m} \times 0.44 = 61\text{ m}$   
 Esto no es lo suficientemente largo.
4. Probando con un cable #8, el Cuadro III-M muestra que la longitud total permitida es de 222 m.  
 $220\text{ m} \times 44\% = 220\text{ m} \times 0.44 = 97\text{ m}$   
 Esto es más largo de lo necesario. Por lo tanto se puede usar el cable #8 para los 64 m de cable en el pozo.

Se puede usar cualquier combinación de tamaños, siempre que el porcentaje total de la longitud de los dos tamaños del cable no sobrepase el 100% de las longitudes permitidas.

## DIAGRAMAS DE INSTALACIÓN DEL CABLEADO - MONOFÁSICO, TRIFILAR



**Para motores de 1-1/2 HP**

**y superiores, use el arranque magnético para no dañar el manóstató. Consulte a la fábrica por la información sobre el cableado.**



**Tensión peligrosa. Puede provocar choque eléctrico, quemaduras o muerte.**

Conecte la caja de control, toda la plomería metálica y el bastidor del motor con cable de cobre conforme a los códigos locales. Use un cable de puesta a tierra que sea por lo menos tan grande como los cables que suministran corriente eléctrica al motor.

Cierre todas las aberturas no usadas en esta máquina y en las otras en forma permanente.

Desconecte la corriente eléctrica a la caja de control antes de trabajar en o alrededor de la caja de control, de las tuberías, del cable, de la bomba o del motor.

Para asegurarse de que el relé de arranque funcione y que no haya un disparo inútil de la sobrecarga, instale la caja de control en posición vertical con la parte superior hacia arriba.

Conecte los cables de la caja de control según se ilustra en las páginas 69 a 73. La bomba no funcionará sin la caja de control y las cajas de lujo requieren un interruptor o un conductor de empalme entre los bornes 'SW' y 'L2'. La operación sin la caja de control quemará el motor.

Cumpla con el Código Eléctrico Nacional de los Estados Unidos, el Código Eléctrico Canadiense y los códigos locales (que correspondan) en todo el cableado.

Si la sobrecarga principal se dispara, verifique que no haya:

1. Un capacitor en corto circuito

2. Problemas de tensión

3. Bomba sobrecargada o bloqueada.

**AVISO:** El motor debe coincidir con la caja de control según se ilustra en las páginas 58, 59 y 65. Los números de modelo del motor Franklin y de la caja de control pueden incluir números adicionales de sufijo a la derecha de los números indicados, página 65. Estos números adicionales no son importantes para la selección de la caja de control.

## CONTROLES DEL NIVEL DEL LÍQUIDO (EVACUACIÓN)

Use los controles de evacuación en los pozos con un caudal bajo para impedir que se bombee hasta que el pozo esté seco. Consulte los diagramas de cableado, páginas 69 a 73, para información sobre la instalación correcta.

**AVISO:** Conecte los controles a tierra conforme a los requisitos del código local.

Si la sobrecarga de arranque se dispara, cambie el relé de arranque. Reposicione y analice la situación para determinar la causa del disparo. Para impedir que el motor se quemé, no retire la protección contra sobrecarga, ni permita que haya un corto circuito en la misma.

## PROCEDIMIENTO DE CHEQUEO (TODAS LAS CAJAS):

**⚠ PELIGRO** Tensión peligrosa. Puede provocar choque eléctrico, quemadura o muerte. Desconecte la corriente eléctrica a la caja de control antes de realizar estos procedimientos de chequeo.

- A. Procedimientos generales** (Corriente eléctrica a la caja de control desconectada)
1. Desconecte la línea.
  2. Verifique que no hayan piezas averiadas o quemadas, conexiones flojas, etc.
  3. Verifique que no hayan conexiones que difieran del diagrama en la caja de control.
  4. Si la caja está demasiado caliente, es posible que los disyuntores se disparen o que los fusibles se quemen. Ventile o coloque la caja en un lugar a la sombra. Aléjela de una fuente de calor.
  5. Si no se encuentra el problema, inspeccione el motor y la caja de control. Use los siguientes procedimientos de chequeo.

- B. Prueba de puesta a tierra (Resistencia de aislamiento).** (Corriente eléctrica a la caja de control desconectada)
1. Graduación del ohmiómetro: Escala más alta (generalmente Rx100K o Rx10,000).
  2. Conexiones de los bornes: Un conductor del ohmiómetro al tornillo de "Tierra" en la caja de control y el otro conductor a cada uno de los bornes en el tablero de bornes.
  3. Lectura del ohmiómetro: El indicador debe permanecer en el punto infinito (∞) y no desviarse.

**C. Pruebas del capacitor.** (Corriente eléctrica a la caja de control desconectada)

**⚠ ADVERTENCIA** Riesgo de choque eléctrico. Haga un corto circuito a través de los bornes antes de hacer la prueba.

1. Graduación de ohmiómetro: Rx1000.
2. Conexiones de los bornes: Conecte los conductores del ohmiómetro a los cables negro y anaranjado de la caja del capacitor.
3. Lectura del ohmiómetro: El indicador debe oscilar hacia el "cero" y "flotar" nuevamente hacia (∞). El capacitor está en corto circuito si el indicador no se mueve nuevamente a (∞), abierto si no se mueve desde (∞).
4. Para repositionar el capacitor, invierta la conexión del ohmiómetro a los bornes del capacitor.

**D. Prueba Triac.** (interruptor de estado sólido solamente)

1. Graduación del ohmiómetro: Rx1000.
2. Conecte los conductores al borne "R" (inicial) y al borne conductor anaranjado en el interruptor de arranque.
3. Lectura del ohmiómetro: Infinito (∞).

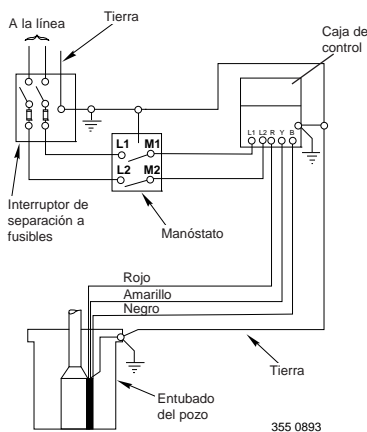
**E. Prueba de la bobina.** (Interruptor de estado sólido solamente)

1. Graduación del ohmiómetro: Rx1.
2. Conecte los conductores a los bornes "Y" (común) y L2 y al borne conductor anaranjado en el interruptor de arranque.
3. Lectura del ohmiómetro: Infinito (∞).

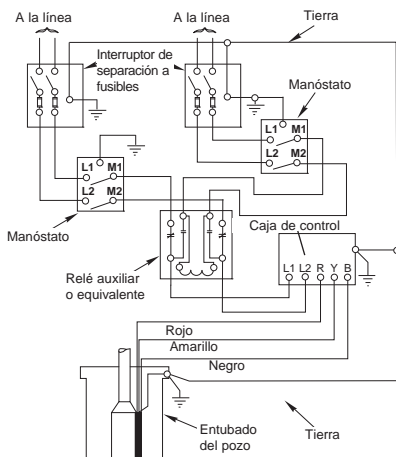
## Diagramas de instalación del cableado – Monofásico, trifilar

**⚠ ADVERTENCIA** Para motores de 1-1/2 HP y superiores, use el arranque magnético para no dañar el manóstat. Consulte a la fábrica por la información sobre el cableado.

CAJA DE CONTROL ESTÁNDAR MONOFÁSICA DE 1/2 HP A 5 HP CON MANÓSTATO DE LA CLASIFICACIÓN DEBIDA



CAJA DE CONTROL ESTÁNDAR MONOFÁSICA DE 1/2 HP A 5 HP CON MANÓSTATO (Una bomba para 2 casas) Con manóstato de la clasificación debida.



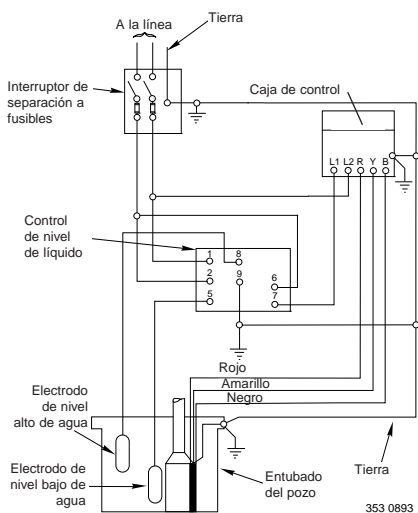
Siga la codificación a color cuando conecte la caja de control (Amarillo a Y, Rojo a R, Negro a B)

## Diagramas de instalación del cableado – Monofásico, trifilar

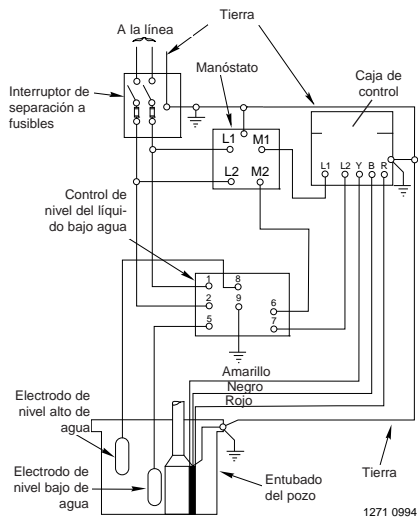


Para motores de 1-1/2 HP y superiores, use el arranque magnético para no dañar el manóstat. Consulte a la fábrica por la información sobre el cableado.

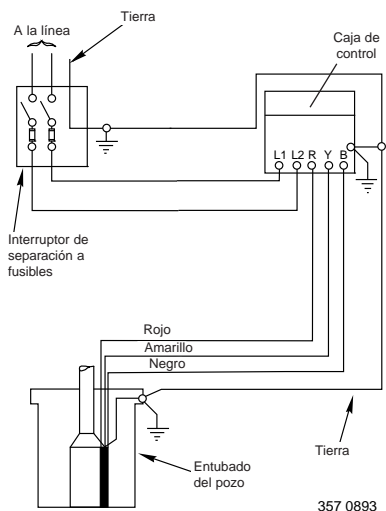
CAJA DE CONTROL ESTÁNDAR MONOFÁSICA DE 1/2 HP A 5 HP CON CONTROL DE NIVEL DE LÍQUIDO



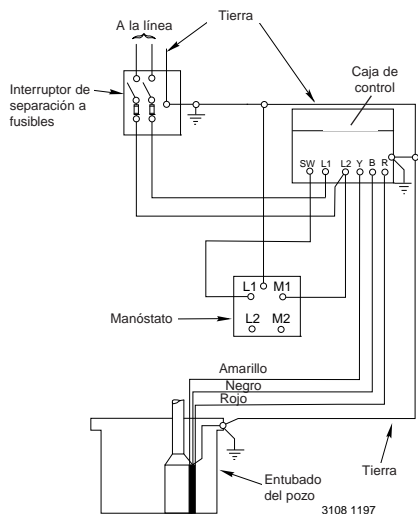
CAJA DE CONTROL ESTÁNDAR MONOFÁSICA DE 1/2 HP A 5 HP CON MANÓSTATO Y CONTROL DE NIVEL DE LÍQUIDO



CAJA DE CONTROL ESTÁNDAR MONOFÁSICA DE SISTEMA ABIERTO DE 1/2 HP A 5 HP



CAJA DE CONTROL DE LUJO MONOFÁSICA DE 2, 3 Y 5 HP CON MANÓSTATO



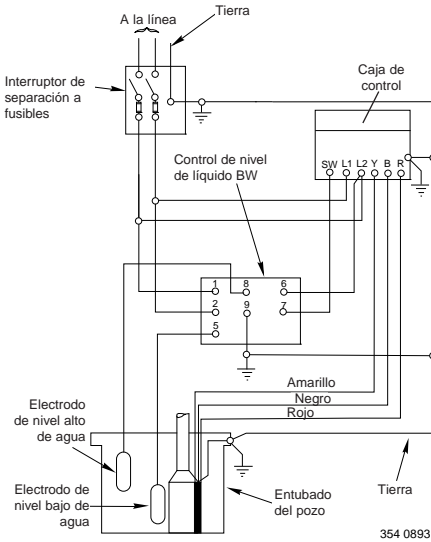
Siga la codificación a color cuando conecte la caja de control (Amarillo a Y, Rojo a R, Negro a B)

## Diagramas de instalación del cableado – Monofásico y trifásico

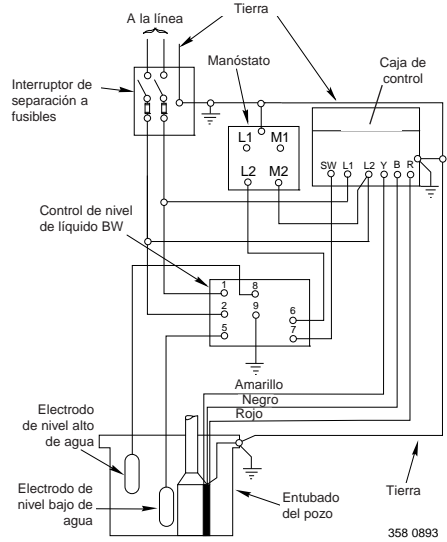


Para motores de 1-1/2 HP y superiores, use el arranque magnético para no dañar el manóstató. Consulte a la fábrica por la información sobre el cableado.

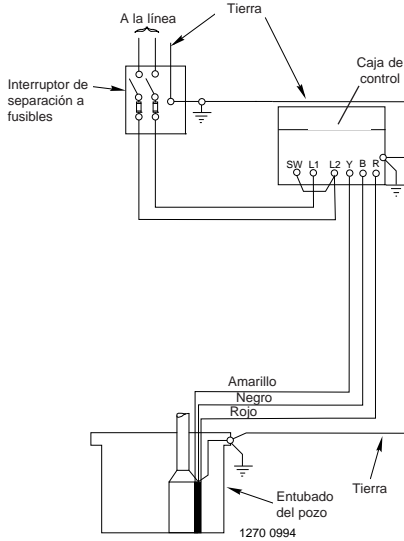
CAJA DE CONTROL DE LUJO MONOFÁSICA DE 1/2 a 5 HP CON CONTROL DE NIVEL DE LÍQUIDO



CAJA DE CONTROL DE LUJO MONOFÁSICA DE 1/2 a 5 HP CON MANÓSTATO Y CONTROL DE NIVEL DE LÍQUIDO



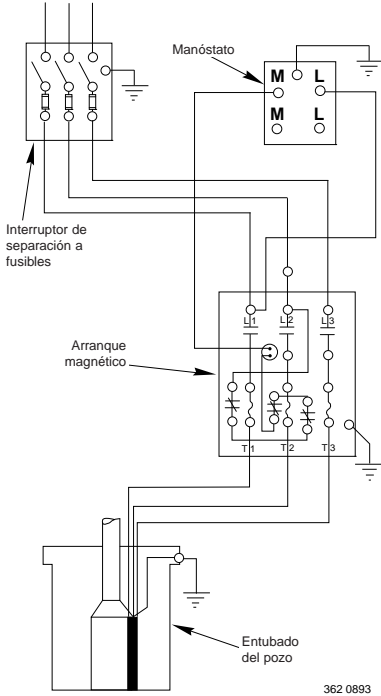
CAJA DE CONTROL DE LUJO MONOFÁSICA DE SISTEMA ABIERTO DE 1/2 a 5 HP



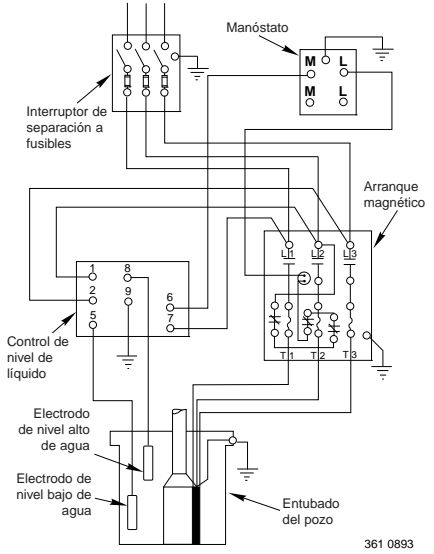
Siga la codificación a color cuando conecte la caja de control (Amarillo a Y, Rojo a R, Negro a B)

## Diagramas de instalación del cableado –Trifásico

TRIFÁSICO DE 1-1/2 HP Y MAYORES  
CON MANÓSTATO



TRIFÁSICO DE 1-1/2 HP Y MAYORES CON  
MANÓSTATO Y CONTROL DE NIVEL DE LÍQUIDO



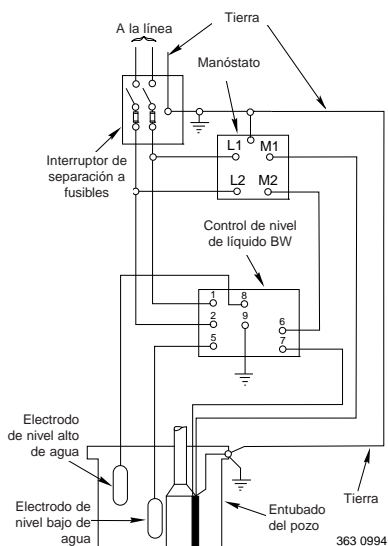
Siga la codificación a color cuando conecte la caja de control (Amarillo a Y, Rojo a R, Negro a B)

## Diagramas de instalación de los cables – bifilares

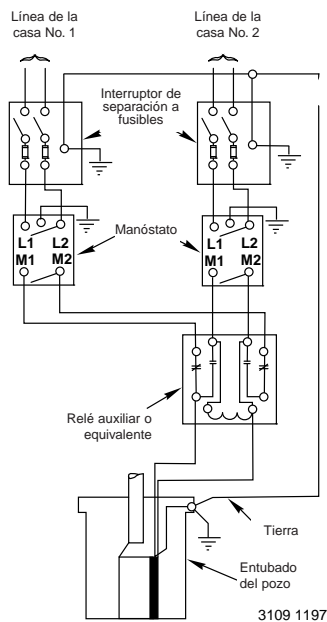


Para motores de 1-1/2 HP y superiores, use el arranque magnético para no dañar el manóstat. Consulte a la fábrica por la información sobre el cableado.

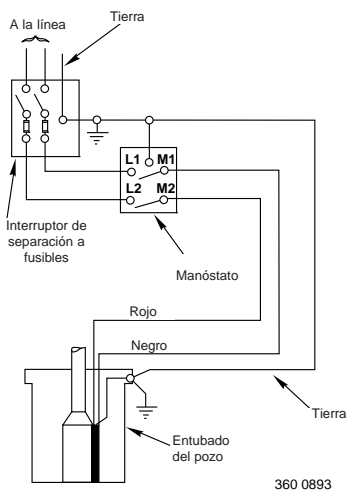
### CON MANÓSTATO Y CONTROL DE NIVEL DE LÍQUIDO



### UNA BOMBA PARA DOS CASAS CON MANÓSTATO



### UNA BOMBA PARA UNA CASA CON MANÓSTATO



Siga la codificación a color cuando conecte la caja de control (Amarillo a Y, Rojo a R, Negro a B)



# Instalación

## EMPALME DEL CABLE:

1. Empalme el cable a los conductores del motor. Use uno de los tres métodos indicados a continuación. Use solamente cable de cobre para las conexiones al motor y a la caja de control de la bomba.

### A. Empalme adherido con cinta (cables de tamaños No. 8 (8.4 mm<sup>2</sup>) y mayores):

1. Corte los conductores del motor. Alterne las longitudes del conductor y del cable para que el segundo conductor sea 2" (50 mm) más largo que el primero y el tercer conductor sea 2" (50 mm) más largo que el segundo.
2. Corte los extremos del cable. Verifique que los colores y las longitudes de los hilos en el cable de segregación coincidan con los colores y las longitudes de los conductores del motor.
3. Recorte el aislamiento de los extremos del cable y de los extremos del conductor del motor 1/2" (13 mm) hacia atrás.
4. Introduzca los extremos del conductor del motor y de los extremos del cable en los conectores de tope (consulte Figura 4). Asegúrese de que los colores del cable de segregación y de los conductores del motor coincidan.
5. Usando pinzas para doblar (Figura 7), doble las salientes del conector de tope (consulte la figura 5) para conectar los cables.

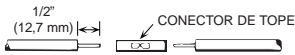


FIGURE 4



FIGURE 5



FIGURE 6

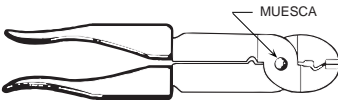


FIGURE 7



FIGURE 8

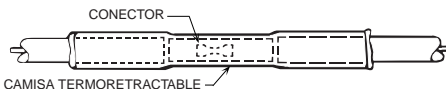


FIGURE 9

6. Corte masilla para aislamiento eléctrico "Scotchfil" en 3 partes iguales y moldee firmemente alrededor de los conectores de tope. Asegúrese de que la masilla Scotchfil traslape la parte aislada del cable.
7. Usando cinta adhesiva #33, envuelva cada junta firmemente; cubra el cable unos 1-1/2" (38 mm) de cada lado de la junta. Pase la cinta cuatro veces. Es decir, cuando termine, tendrá cuatro capas de cinta envueltas firmemente alrededor del cable. Presione los bordes de la cinta firmemente contra el cable (consulte la figura 8).

**AVISO:** Debido a que la cinta enrollada firmemente es el único medio de mantener el agua fuera del empalme, la eficacia del empalme dependerá del cuidado que haya tenido al envolver la cinta.

**AVISO:** Para los tamaños de cable mayores de #8, (8.4 mm<sup>2</sup>) use una junta soldada en lugar de la masilla Scotchfil (consulte la figura 6).

### B. Empalme termoretractable (Para cables de tamaño #14, 12 y 10 AWC, o 2, 3, y 5.5 mm<sup>2</sup>):

1. Retire 3/8" (10 mm) de aislamiento de los extremos de los conductores del motor y de los hilos de los cables de segregación.
2. Coloque un tubo termoretractable sobre los conductores del motor.
3. Haga coincidir los colores y las longitudes del cable de segregación con los colores y las longitudes de los conductores del motor.
4. Introduzca los extremos del cable y del hilo del motor en los conectores de tope y doble (Consulte las figuras 4 y 5). **ASEGÚRESE DE QUE** los colores de los hilos del cable de segregación y de los conductores del motor coincidan. Jale de los conductores para inspeccionar las conexiones.
5. Coloque el tubo en el centro sobre el conector de tope y aplique calor en forma uniforme con una antorcha (un fósforo o un encendedor no suministrarán suficiente calor).

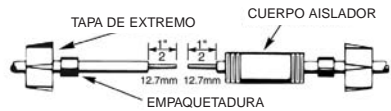


FIGURE 10



FIGURE 11

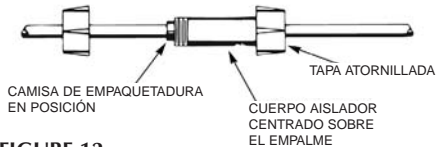


FIGURE 12

**AVISO:** Mantenga la antorcha en movimiento. Demasiada concentración de calor puede dañar el tubo. (consulte la figura 9).

**C. Conectores de tope** con aisladores de plástico (para cables de calibres 14, 12 y 10 AWG, o cables de 2.5, 4 y 6 mm<sup>2</sup>):

1. Corte los conductores del motor. Alterne las longitudes del conductor y del cable para que el segundo conductor sea 4" (100 mm) más largo que el primero y el tercer conductor sea 4" (100 mm) más largo que el segundo.
2. Corte los extremos del cable. Verifique que los colores y las longitudes de los hilos en el cable de segregación coincidan con los colores y las longitudes de los conductores del motor.
3. Recorte el aislamiento de los extremos del cable y de los extremos del conductor del motor 1/2" (13 mm) hacia atrás.
4. Destornille las tapas de plástico de los aisladores. Coloque una capa y una camisa de empaque de neopreno en cada extremo de cable que se deba empalmar (consulte la figura 10).
5. Deslice el cuerpo aislador en un extremo del cable (Figura 10).
6. Introduzca el extremo del cable en el conector de tope y doble (consulte la figura 11). **Asegúrese** de que los colores del cable y del hilo del motor coincidan.
7. Centre el cuerpo aislador sobre el empalme y deslice las camisas de neopreno en el cuerpo hasta el final. Atornille las tapas en el cuerpo aislador (Figura 12) y apriete a mano para obtener un empalme fuerte e impermeable.

## INSTALACIÓN DEL CABLE

1. Para hacer una prueba sumergible, conéctelo por un momento al suministro de corriente adecuado. La frecuencia y la tensión del suministro de corriente deben coincidir con la frecuencia y la tensión de la chapa de fábrica del motor en  $\pm 10\%$ . (bombas trifásicas – consulte "Rotación," en la página 51).
2. Sujete bien los conductores del cable a la sección de descarga de la bomba; deje 4-5" (100-127 m) de huelgo en los conductores a esta altura. Sujete bien los conductores al tubo de plástico a 6" (150 mm) de la sección de descarga de la bomba. Use limitadores de par para proteger la bomba y la tubería contra daños debido a giros perjudiciales cuando la bomba arranca y se detiene.
3. Conecte el cable a tierra de cobre al soporte del motor. El cable a tierra debe ser por lo menos tan grande como los cables que suministran corriente eléctrica al motor. Consulte el Código Eléctrico Nacional, el Código Eléctrico Canadiense y los códigos locales en vigor (según corresponda) para obtener información sobre la puesta a tierra.
4. Use solamente cables sumergibles suministrados por el fabricante de la bomba. Cuando baje la bomba en el pozo, sujete el cable a la tubería de descarga a intervalos de 10' (3.5 m) con cinta eléctrica Scotch #33. Evite dañar el cable de la bomba. **AVISO:** Para no dejar caer la bomba en el pozo o dañar el cable o los empalmes del cable, NUNCA permita que el cable de la bomba sostenga el peso de la misma.

## INSTALACIÓN DE LA BOMBA

1. Si usa un tanque de presión estándar de aire sobre agua, instale dos orificios de purga a unos 2' (0.6 m) de distancia entre ellos según se ilustra en la Figura 15, página 78. Estos orificios cargarán el tanque automáticamente con aire. Consulte la figura 15 para determinar el lugar de los orificios. **AVISO:** Si usa un tanque precargado, NO instale orificios de purga. Si la bomba y el tanque precargado están sustituyendo un sistema de tanque estándar, retire los orificios de purga antes de instalar la bomba en el pozo.
2. Para impedir que la bomba caiga en el pozo, conéctela a una cuerda de seguridad lo suficientemente fuerte como para sostener la bomba y la columna descendente (cuerda trenzada de polipropileno o pronila de 5/16" (8 mm) en el ojal de la descarga de la bomba. Ate el otro extremo de la cuerda de seguridad firmemente al sello del pozo, a la tapa del pozo o al adaptador deslizante de derivación.
3. La salida de descarga tiene una rosca de 2" NPT (60 Hz) o de 2" BSP (50 Hz).  
Use un tubo de plástico (polietileno) con clasificación nominal de 100 PSI para instalaciones de hasta 100' de profundidad.  
Use un tubo de plástico (polietileno) con clasificación nominal de 160 PSI para instalaciones de hasta 220' de profundidad.  
Para profundidades superiores a los 220', use un tubo de acero galvanizado para toda la columna descendente.

## ARRANQUE INICIAL

**AVISO:** NUNCA haga funcionar la bomba con la válvula de descarga completamente cerrada. La bomba se puede destruir si se deja marchar con la descarga cerrada (bloqueada) y eso anulará la garantía.

**AVISO:** Para evitar una bomba bloqueada por arena, siga el procedimiento que se indica a continuación cuando encienda la bomba por primera vez. NUNCA encienda una bomba con la descarga completamente abierta a menos que haya pasado primero por este procedimiento.

1. Conecte un tubo en ángulo (codo), un trozo corto de tubo y una válvula de compuerta a la descarga de la bomba en el cabezal del pozo (consulte la figura 13).
2. Coloque la caja de control del motor (bomba trifilar), el interruptor de separación a fusibles (bomba bifilar), o el arranque magnético (bomba trifásica) en un lugar con protección permanente contra la intemperie. Verifique que los controles no estén sometidos a un calor extremo o a una humedad excesiva.
3. Verifique que los controles estén en la posición apagada (OFF).
4. Conecte los conductores del motor y el suministro de corriente eléctrica a la caja de control del motor, al interruptor de separación a fusibles, o al arranque magnético (consulte los Diagramas de Cableado en las páginas 69 a 73). **NO ENCIENDA LA BOMBA TODAVÍA.**
5. Abra la válvula de compuerta en la descarga 1/3; encienda la bomba (consulte la figura 13).
6. Mantenga la válvula de compuerta en esta posición mientras se bombea el agua fuera del suelo. Déjala marchar hasta que el agua no contenga arena ni cieno. (Para chequear partículas sólidas en el agua, llene un vaso desde la bomba y deje que las partículas sólidas se asienten).

7. Cuando el agua esté completamente limpia en la posición de 1/3, abra la válvula de compuerta dos tercios aproximadamente y repita el proceso.
8. Cuando el agua esté completamente limpia en la posición de 2/3, abra completamente la válvula de compuerta y deje marchar la bomba hasta que el agua esté completamente limpia.
9. Saque la válvula de compuerta para una instalación permanente cerca del tanque (consulte las figuras 14 y 15, páginas 77 y 78).
10. Instale el sello de pozo sanitario o el adaptador deslizante de derivación, la unidad del pozo, el conducto eléctrico y la tubería de superficie conforme a los requisitos de los códigos locales.

## USOS CON AGUAS RESIDUALES / EFLUENTE

Las bombas diseñadas y comprobadas para usos con aguas residuales/efluente, deben cumplir con los siguiente:

### ⚠ ADVERTENCIA

#### **Peligro de choque eléctrico.**

No retire el cordón ni el reductor de tensión. No conecte conductos a la bomba.

1. La bomba y el equipo de control asociado deben ser instalados por técnicos competentes.
2. El tanque séptico o de aguas residuales se debe ventilar conforme a las normas locales.
3. No instale la bomba en ningún lugar que haya sido clasificado como peligroso por la norma ANSI/NFPA 70-1984 del National Electrical Code.
4. Estas bombas han sido diseñadas sólo para conexiones permanentes. Suministre un reductor de tensión en la caja de control para la conexión del cordón eléctrico a la caja. Todos los componentes del control deben ser aprobados por UL y adecuados para el uso final.

## CONEXIÓN AL SISTEMA DE TANQUE/AGUA

### ⚠ ADVERTENCIA

#### **Presión peligrosa. Las bombas**

**sumergibles pueden crear una presión muy alta en ciertas situaciones. Para impedir una explosión en el tanque, instale una válvula de desahogo de presión que sea capaz de pasar todo el caudal de la bomba a 75 PSI (517 kPa) cuando use un tanque de presión de aire sobre agua. Instale una válvula de desahogo de presión capaz de pasar todo el caudal de la bomba a 100 PSI (690 kPa) cuando use un tanque de presión precargado. Instale esta válvula de desahogo entre la bomba y el tanque.**

**AVISO:** Si se permite que la bomba o el sistema de tuberías se congelen, existe el riesgo de provocar daños graves en la bomba y esto invalidará la garantía. Proteja la bomba y todo el sistema de tuberías (incluyendo el tanque de presión) del congelamiento.

### **Conexión de tanque estándar:**

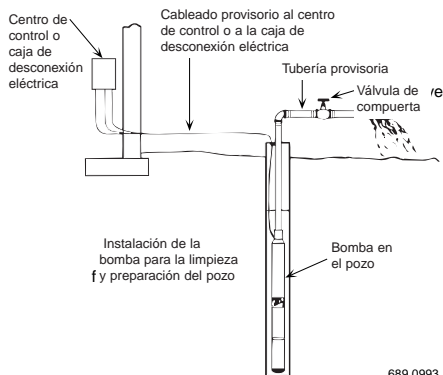
Consulte la figura 15, en la página 78 para obtener información sobre las conexiones de las tuberías a los tanques de presión estándar y la distancia de los orificios de purga desde el tanque de presión.

### **Conexión del tanque de presión precargado:**

Consulte la figura 14, en la página 77 para obtener información sobre las conexiones al tanque de presión precargado.

**AVISO:** Verifique el aire precargado en el tanque antes de encender la bomba. Ajuste la precarga a 2 PSI (13.8

kPa) debajo de la graduación de disparo de la bomba. (Por ejemplo, un tanque precargado que se use con un interruptor de 30-50 se debe precargar con aire a 28 PSI (193 kPa) . Ajuste la precarga ya sea agregando o descargando el aire a través de la válvula neumática ubicada en la parte superior del tanque. Inspeccione la precarga anualmente y ajústela de ser necesario.



689 0993

FIGURE 13

## Información eléctrica importante sobre la puesta a tierra

### ⚠ ADVERTENCIA

#### **Tensión peligrosa. Puede**

**provocar choque eléctrico, quemaduras o muerte. Para reducir el riesgo de choque eléctrico durante la operación de la bomba, conecte y adhiera la bomba y el motor a tierra de la siguiente manera:**

- A. Para reducir el riesgo de choque eléctrico producido por otras piezas metálicas de la unidad que no sea la bomba, una todas las piezas metálicas accesibles al cabezal del pozo (incluyendo la tubería metálica de descarga, el entubado metálico del pozo y partes similares). Use un conductor de unión para metales que sea por lo menos tan grande como los conductores del cable de corriente eléctrica que corren por el pozo al motor de la bomba.
- B. Sujete o suelde (o ambos de ser necesario) este conductor de unión al medio de puesta a tierra suministrado con la bomba, que será el borne de puesta a tierra de la máquina, el conductor de puesta a tierra en la caja de la bomba, o un conductor de puesta a tierra para la máquina. Cuando se suministre un conductor de puesta a tierra para la máquina, éste será el conductor con aislamiento verde y es posible que también tenga una o más franjas amarillas.
- C. Conecte a tierra la bomba, el motor y todo conducto metálico que lleve los conductores del cable de corriente eléctrica. Haga la conexión a tierra de estas piezas de regreso al servicio, conectando un conductor de cobre desde la bomba, el motor y el conducto, al tornillo de puesta a tierra suministrado dentro del compartimento de cableado de la caja de conexión al suministro. Este conductor debe ser por lo menos tan grande como los conductores del circuito de suministro a la bomba.

**Guarde estas instrucciones.**

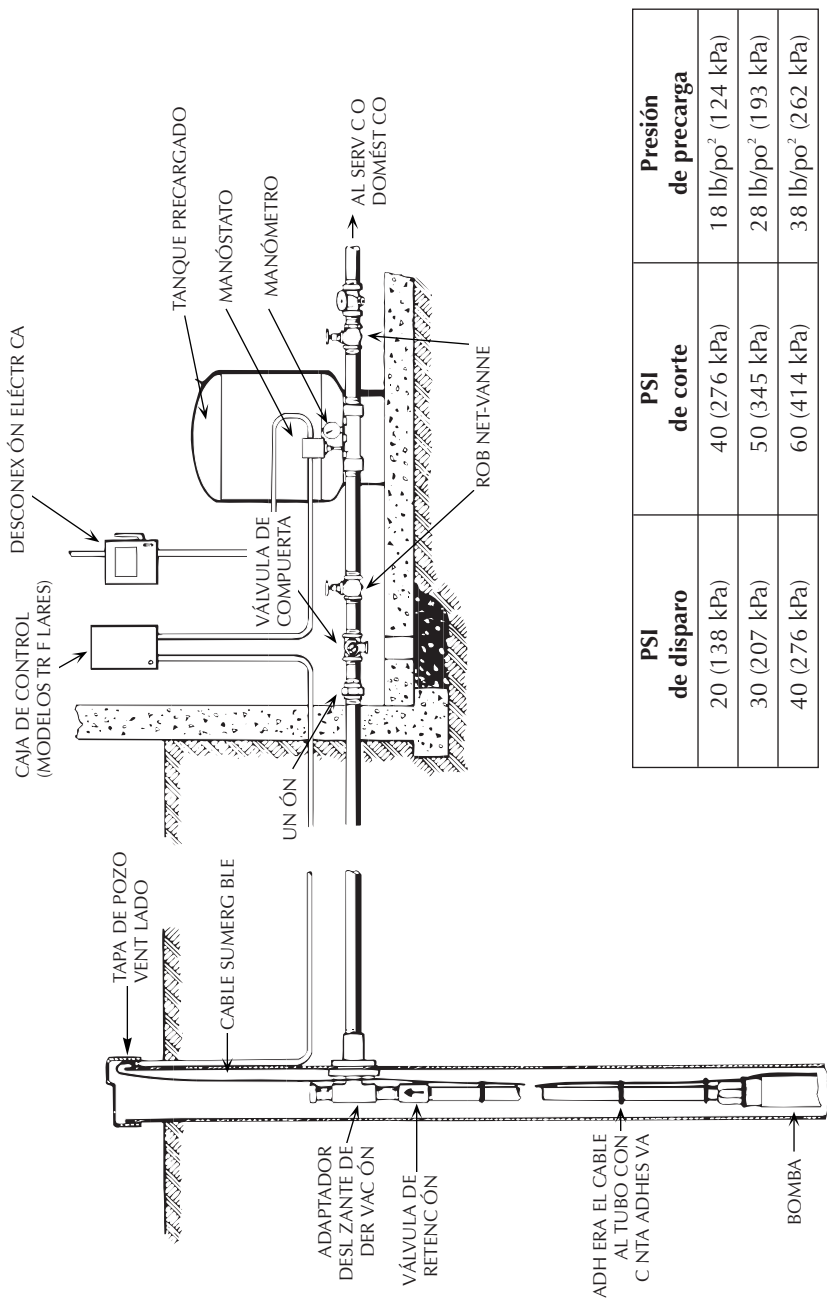
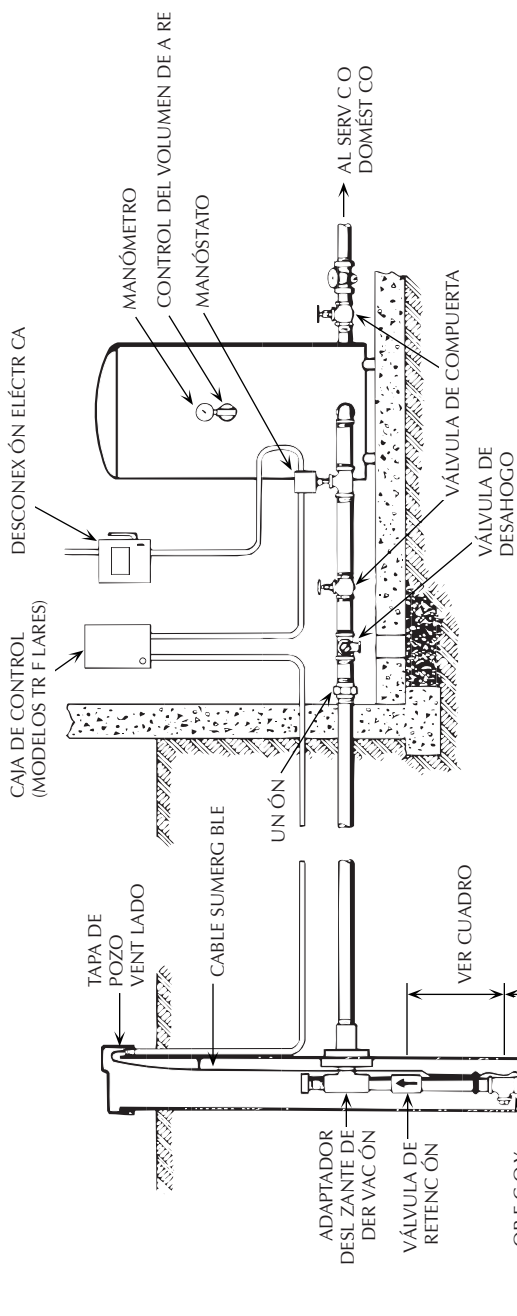


FIGURA 14 - Instalación sumergible típica con tanque precargado



VERIFIQUE LA DISTANCIA DEL LA VÁLVULA AL ORIFICIO SUPERIOR DE PURGA TAMANO DEL TANQUE	
TAMANO DEL TANQUE	DISTANCIA
159 Litros (42 Galones)	0,6 M (2')
310 Litros (82 Galones)	0,9 M (3')
454 Litros (120 Galones)	1,4 M (5')
833 Litros (220 Galones)	1,4 M (5')
1192 Litros (315 Galones)	3,0 M (10')
1987 Litros (525 Galones)	4,6 M (15')

FIGURA 15 - Instalación con tanque de presión estándar

## GUÍA PARA LA LOCALIZACIÓN DE FALLAS

PROBLEMA	VERIFIQUE	MEDIDAS CORRECTIVAS
<p><b>El motor no arranca pero los fusibles no están quemados</b> No hay tensión</p>	<p>No hay tensión en la caja de fusibles.</p> <p>No hay tensión en la caja de control.</p> <p>No hay tensión en el manóstató.</p> <p>No hay tensión del lado de la carga del manóstató. Cable o empalmes en mal estado. Caja de control cableada de manera incorrecta.</p>	<p>Consulte con el proveedor de energía, inspeccione el generador.</p> <p>Verifique las conexiones, vuelva a cablear desde la caja de fusibles a la caja de control.</p> <p>Verifique las conexiones, reemplace la caja de control, vuelva a cablear desde la caja de control al manóstató.</p> <p>Verifique las conexiones, reemplace el manóstató.</p> <p>Consulte a un técnico de servicio o a un electricista autorizado.</p> <p>Vuelva a conectar la caja de control correctamente (consulte los diagramas de cableado, páginas 69 a 73).</p>
<p><b>Los fusibles se queman o el protector de sobrecarga se dispara cuando se enciende el motor</b> Tamaño de fusible o tamaño de fusible temporizado incorrectos. Tamaño del cable demasiado pequeño. Capacitor de arranque defectuoso o quemado. Baja o alta tensión.</p> <p>Los conductores del cable no están conectados debidamente a la caja de control.</p> <p>Cable roto en la caja de control.</p> <p>La bomba o el motor están atascados o se atascan.</p>	<p>Verifique el tamaño del fusible en los cuadros, Páginas 58-60, 64.</p> <p>Verifique el tamaño del cable en los cuadros, Páginas 58, 59, 61, 65 y 66.</p> <p>Inspeccione la caja de control para comprobar si el capacitor de arranque está quemado.</p> <p>Verifique que la tensión de línea esté dentro de <math>\pm 10\%</math> de la tensión nominal en la chapa de fábrica cuando el motor está en marcha.</p> <p>Verifique el diagrama de cableado de la caja de control con respecto a la conexión de corriente eléctrica de entrada. Verifique los códigos de color del cable de segregación.</p> <p>Examine todas las conexiones y los cables en la caja de control.</p> <p>Verifique que el rotor en la bomba no esté bloqueado.</p>	<p>Instale el fusible o el fusible temporizado correctos.</p> <p>Instale el cable del tamaño correcto. Reemplace el capacitor de arranque.</p> <p>Si la variación de tensión es mayor de <math>\pm 10\%</math>, llame a la empresa de energía eléctrica para que ajuste la tensión.</p> <p>Vuelva a conectar los conductores para que coincidan con el diagrama de cableado en la tapa de la caja de control.</p> <p>Vuelva a conectar el cable de segregación para que el código de color del cable coincida con el código de color del conductor del motor.</p> <p>Desconecte la corriente eléctrica y repare o reemplace el cable defectuoso.</p> <p>De ser necesario, saque la bomba (primero haga todas las verificaciones posibles en la superficie). Si la bomba está bloqueada, reemplácela. Limpie la arena o el cieno del pozó antes de volver a instalar la bomba.</p>
<p><b>Los fusibles se queman o el protector de sobrecarga se dispara cuando el motor está en marcha</b> Baja o alta tensión.</p> <p>Alta temperatura ambiente. Caja de control con clasificación de tensión o de potencia (HP) incorrecta.</p> <p>Tamaño del cable demasiado pequeño. Empalmes del cable o conductores del motor puestos a tierra, en corto circuito o abiertos.</p>	<p>Verifique que la tensión de línea esté dentro de <math>\pm 10\%</math> de la tensión nominal en la chapa de fábrica cuando el motor está en marcha.</p> <p>Verifique la temperatura de la caja de control.</p> <p>Compare la tensión y la potencia (HP) en la chapa de fábrica del motor con la información indicada en la chapa de fábrica de la caja de control o en el diagrama del circuito en la tapa de la caja de control.</p> <p>Verifique el tamaño del cable en los cuadros, Páginas 58, 59, 61, 65 y 66.</p> <p>Consulte a un electricista competente o a un técnico de servicio calificado.</p>	<p>Si la variación de tensión es mayor de <math>\pm 10\%</math>, llame a la empresa de energía eléctrica para que ajuste la tensión.</p> <p>No coloque la caja de control expuesta a la luz directa del sol. Reemplace la caja de control si los números no coinciden.</p> <p>Instale el cable del tamaño correcto.</p> <p>No trate de desarmar la bomba ni el motor.</p>

## GUÍA PARA LA LOCALIZACIÓN DE FALLAS (continued)

PROBLEMA	VERIFIQUE	MEDIDAS CORRECTIVAS
<p><b>La bomba se enciende con demasiada frecuencia</b> Fugas en el sistema.</p> <p>Manóstató.</p> <p>Tanque inundado.</p> <p>Fuga en la columna descendente.</p> <p>Manóstató demasiado lejos del tanque.</p>	<p>Verifique con espuma que no haya fugas de aire en todas las conexiones. Verifique que no haya fugas en el sistema sanitario.</p> <p>Verifique que el interruptor no esté defectuoso ni desajustado.</p> <p>Tanques precargados; verifique la presión de aire de precarga del tanque, verifique que no haya fugas en la cisterna.</p> <p>Tanques de aire sobre agua: verifique que no haya fugas de aire. Inspeccione el Control de Volumen de Aire (AVC). Inspeccione la operación de la llave roncadora.</p> <p>Eleve la columna descendente un tramo a la vez hasta que el agua quede asentada en el tubo.</p> <p>Mida la distancia desde el manóstató al tanque.</p>	<p>El sistema debe ser impermeable y hermético.</p> <p>Vuelva a ajustar o reemplace el manóstató.</p> <p>Tanques precargados: ajuste la presión del aire a 2 PSI (13.8 kPa) debajo de la presión de disparo de la bomba (cuando no haya presión del agua en el sistema). Reemplace la cisterna de ser necesario.</p> <p>Tanques de aire sobre agua: repare o reemplace los tanques; reemplace las llaves roncadoras de ser necesario.</p> <p>Reemplace la tubería por encima de ese punto.</p> <p>Mueva el interruptor a un pie (0.3 m) de distancia del tanque.</p>
<p><b>Se obtiene poco o nada de agua</b></p> <p>La válvula de retención del orificio de purga está atascada o se instaló en posición inversa (sólo para tanques estándar).</p> <p>Bajo nivel del agua.</p> <p>Baja tensión.</p> <p>Red de admisión obstruida.</p> <p>Válvula de retención en la descarga de la bomba atascada.</p> <p>Impulsores o difusores gastados.</p>	<p>Examine la válvula.</p> <p>Determine el nivel más bajo de agua en el pozo cuando la bomba esté marchando y compárelo con la graduación de profundidad de la bomba.</p> <p>Verifique la tensión en la caja de control con la bomba en marcha. Verifique el tamaño del cable de entrada y del cable de segregación en los cuadros, Páginas 58, 59, 61, 65 y 66.</p> <p>Saque la bomba y verifique el estado de la red.</p> <p>Saque la bomba y examine la válvula de retención.</p> <p>Verifique que el sistema esté libre de obstrucciones y que la bomba se encuentre en el agua y esté funcionando normalmente.</p>	<p>Si la válvula está atascada, libérela; si se instaló al revés, invírtala.</p> <p>Baje la bomba a mayor profundidad en el pozo (pero por lo menos a 5' (1.6 m) por encima del fondo del pozo). Regule la descarga de la bomba hasta que la descarga sea igual al índice de recuperación del pozo. <b>AVISO:</b> Si se deja marchar la bomba mientras tenga una bolsa de aire, ésta perderá cebado y podrá sufrir daños graves.</p> <p>Instale un cable más grande desde el contador a la caja de control. Instale un cable más grande desde la caja de control a la bomba. De ser necesario, haga que la empresa de energía eléctrica eleve la tensión de suministro.</p> <p>Limpie o reemplace según se requiera.</p> <p>Libere la válvula de retención.</p> <p>Reemplace la bomba.</p>
<p><b>Descarga de aire o de agua lechosa desde los grifos</b></p> <p>Gas en el agua del pozo.</p> <p>Control de volumen de aire no funciona (sólo tanque estándar).</p>	<p>Verifique si hay gas en el agua del pozo.</p> <p>Verifique que los puertos y las válvulas esféricas de retención estén despejados.</p>	<p>Retire los orificios de purga; tape los tubos en T. Verifique que no haya fugas desde los tubos en T tapados. De ser necesario, separe el gas del aire antes de que entre en el tanque de presión.</p> <p>Reemplace el control de ser necesario.</p>

# GARANTÍA LIMITADA

PENTAIR WATER le garantiza al comprador/consumidor original ("Comprador" o "Usted") de los productos enumerados abajo, que estos estarán libres de defectos en material y mano de obra durante el Período de Garantía indicado a continuación.

<b>Producto</b>	<b>Período de Garantía</b>
Productos de sistemas de agua — bombas de chorro, pequeñas bombas centrífugas, bombas sumergibles y accesorios asociados	<i>lo que ocurra primero:</i> 12 meses desde la fecha de la instalación inicial, o 18 meses desde la fecha de fabricación

Nuestra garantía no se aplicará a ningún producto que, a nuestro sólo juicio, haya sido sometido a negligencia, mal uso, instalación inadecuada o mal mantenimiento. Sin perjuicio a lo que antecede, la garantía quedará anulada en el caso en que un motor trifásico se haya usado con una fuente de alimentación monofásica, a través de un convertidor de fase. Es importante indicar que los motores trifásicos deben estar protegidos por relés de sobrecarga de disparo extra-rápido, con compensación ambiental de tres etapas, del tamaño recomendado, de lo contrario, la garantía quedará anulada.

Su único recurso, y la única obligación de PENTAIR WATER es que PENTAIR WATER repare o reemplace los productos defectuosos (a juicio de PENTAIR WATER). Usted deberá pagar todos los cargos de mano de obra y de envío asociados con esta garantía y deberá solicitar el servicio bajo garantía a través del concesionario instalador tan pronto como se descubra un problema. No se aceptará ninguna solicitud de servicio bajo garantía que se reciba después del vencimiento del Período de Garantía. Esta garantía no se puede transferir.

PENTAIR WATER NO SE HARÁ RESPONSABLE DE NINGÚN DAÑO CONSECUENTE, INCIDENTAL O CONTINGENTE.

LAS GARANTÍAS QUE ANTECEDEN SON EXCLUSIVAS Y EN LUGAR DE TODA OTRA GARANTÍA EXPLÍCITA O IMPLÍCITA, INCLUYENDO PERO SIN LIMITARSE A LAS GARANTÍAS IMPLÍCITAS DE COMERCIABILIDAD E IDONEIDAD PARA UN FIN ESPECÍFICO. LAS GARANTÍAS QUE ANTECEDEN NO SE EXTENDERÁN MÁS ALLÁ DE LA DURACIÓN EXPRESAMENTE SUMINISTRADA EN LA PRESENTE.

Algunos estados no permiten la exclusión o limitación de daños incidentales o consecuentes o de limitaciones de tiempo sobre garantías implícitas, de modo que es posible que las limitaciones o exclusiones que preceden no correspondan en su caso. Esta garantía le otorga derechos legales específicos y es posible que usted también tenga otros derechos que pueden variar de un estado a otro.

Esta garantía reemplaza toda garantía publicada anteriormente.

**PENTAIR WATER**  
**293 Wright St., Delavan, WI 53115**