



cast iron submersible effluent pumps



The EC3 Series Pump is a rugged, submersible cast iron pump with a non-clog vortex impeller and solids handling capability to 3/4". Unit has a 1/3 HP, 115 or 230 Volt, single-phase motor and 1-1/2" NPT vertical discharge. A full selection of accessories for automatic operation is available, and includes float switches,

simplex controllers, duplex controllers, basins, alarms and check valves.

APPLICATIONS

- Effluent and Wastewater Removal
- Sump Drainage
- Dewatering
- Flood Control

ORDERING INFORMATION

Catalog Number	HP	Maximum Load Amps	Volts	Phase/Cycles	Cord Length	Mechanical Switch Type	Switch Setting	
							On	Off
EC333120M	1/3	13.0	115	1/60	20'	Manual	—	—
EC333120T	1/3	13.0	115	1/60	20'	Tethered	13.5"	4.5"
EC333220M	1/3	7.0	230	1/60	20'	Manual	—	—
EC333220T	1/3	7.0	230	1/60	20'	Tethered	13.5"	4.5"

Noryl® is a registered trademark of General Electric Co. In order to provide the best products possible, specifications are subject to change.

EC3 SERIES

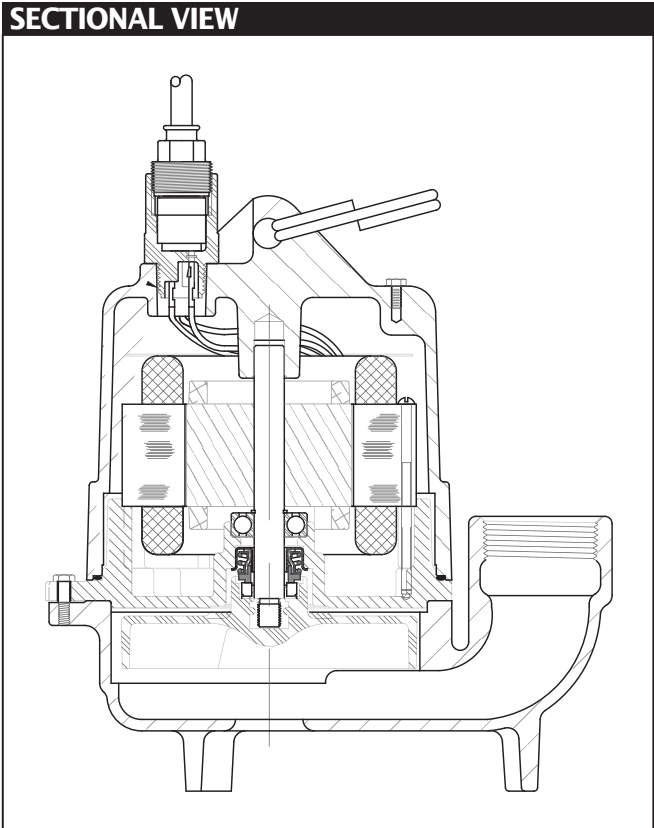
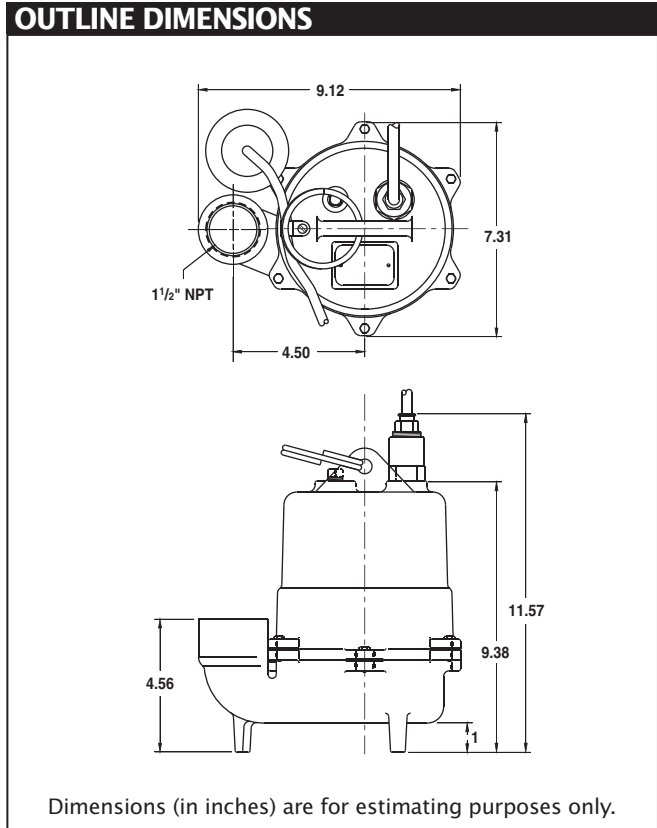
SPECIFICATIONS

- Volute Casing** – Cast iron
- Upper and Lower Motor Housings** – Cast iron
- Impeller** – Fiberglass reinforced Noryl® with threaded insert
- Mechanical Seal** – Type 6A or equal, Buna-N elastomers, carbon and ceramic sealing faces, stainless steel metal parts
- Bearings** – Upper sleeve and lower ball bearings, oil lubricated
- Lower Motor Housing O-Ring** – Buna-N
- Exterior Hardware and Nameplate** – Stainless steel
- Motor** – 1/3 HP, 1550 RPM, 115 Volts or 230 Volts, single-phase, 60 Hz. Oil-filled. Built-in thermal overload protection with automatic reset.
- Power Cord** – 20' water resistant 16-3 SJTW-A/SJTW with integrally grounded three-prong plug
- Maximum Liquid Temperature Limits** – 130°F (55°C)

FEATURES

- Bearings and Mechanical Seal** – Permanently lubricated for long life.
- Impeller** – Non-clog vortex style, pump out vanes for seal protection.
- Overload Protection** – Built-in thermal overload with automatic reset.
- Cord Design** – Prevents oil loss from and moisture protection for motor. Easily replaceable or retrofitted with optional 50' power cord.
- Serviceability** – Heavy-duty lift out ring, field serviceable.
- Solids Handling** – 3/4" spherical capability.
- Stainless Steel Hardware** – Allows easy disassembly after extended service.
- Controls** – Standard controls available for automatic operation.

cast iron submersible effluent pumps



PUMP PERFORMANCE

