

STA-RITE[®]

293 Wright Street • Delavan, WI 53115

Submersible Sump/Effluent Pumps

INSTALLATION, OPERATION, & PARTS MANUAL

SAFETY INFORMATION

Carefully read and follow all safety instructions in this manual or on pump.

⚠ This is the safety alert symbol. When you see this symbol on your pump or in this manual, look for one of the following signal words and be alert to the potential for personal injury!

⚠ DANGER warns about hazards that **will** cause serious personal injury, death or major property damage if ignored.

⚠ WARNING warns about hazards that **can** cause serious personal injury, death or major property damage if ignored.

⚠ CAUTION warns about hazards that **will** or **can** cause minor personal injury or property damage if ignored.

The word **NOTICE** indicates special instructions which are important but not related to hazards.

DESCRIPTION

These Submersible Sump Pumps are designed for home sumps. The unit is equipped with a 3-prong grounding-type power cord. The shaded-pole motor is oil filled and sealed for cooler running. Upper sleeve/lower ballbearing on the motor shaft never need lubrication. Automatic reset thermal protection.

SPECIFICATIONS

Power supply required.....115V, 60 HZ.
Motor DutyContinuous
Liquid Temp. Range32°F to 130°F (0°-54°C)
Individual Branch DC233 Series.....15 Amps
Circuit Required: EC240 Series.....15 Amps
DC250 Series.....20 Amps
Discharge Adapter (DC and EC Series).....1-1/2" NPT

PERFORMANCE

Model	GPM (LPM) AT TOTAL FEET (m)				No flow at height shown below
	5 (1.5m)	10 (3m)	15 (4.6m)	20 (6.1m)	
CAPACITY GALLONS(L)/MINUTE					
DC233 Series	48 (182)	40 (151)	29 (110)	15 (57)	24 Ft. (7.3m)
EC240 Series	62 (235)	53 (201)	46 (174)	38 (144)	32 Ft. (9.8m)
DC250 Series	62 (235)	53 (201)	46 (174)	38 (144)	32 Ft. (9.8m)

MOTOR, SWITCH, & CORD SPECIFICATIONS

Model Number	Motor HP	Full Load Amps	Individual Branch Circuit Required (Amps)	Cord Length	*Switch Setting in inches (mm)	
					On	Off
DC233110T	1/3	9.8	15	10'	13" (330)	4" (102)
DC233110V	1/3	9.8	15	10'	7" (178)	2" (51)
DC233110M	1/3	9.8	15	10'	-	-
DC233120T	1/3	9.8	15	20'	13" (330)	4" (102)
DC233120V	1/3	9.8	15	20'	7" (178)	2" (51)
DC233120M	1/3	9.8	15	20'	-	-
DC233130T	1/3	9.8	15	30'	13" (330)	4" (102)
EC240110M	4/10	12.5	15	10'	-	-
EC240110T	4/10	12.5	15	10'	14" (356)	5" (127)
EC240120M	4/10	12.5	15	20'	-	-
EC240120T	4/10	12.5	15	20'	14" (356)	5" (127)
DC250110T	1/2	12.5	15	10'	13" (330)	4" (102)
DC250110V	1/2	12.5	15	10'	7" (178)	2" (51)
DC250110M	1/2	12.5	15	10'	-	-
DC250120T	1/2	12.5	15	20'	13" (330)	4" (102)
DC250120V	1/2	12.5	15	20'	7" (178)	2" (51)
DC250120M	1/2	12.5	15	20'	-	-

GENERAL SAFETY INFORMATION

Electrically powered sump pumps normally give many years of trouble-free service when correctly installed, maintained, and used. However, unusual circumstances (interruption of power to the pump, dirt/debris in the sump, flooding that exceeds the pump's capacity, electrical or mechanical failure in the pump, etc.) may prevent your pump from functioning normally. To prevent possible water damage due to flooding, consult your dealer about installing a secondary sump pump, a DC backup sump pump, and/or a high water alarm. See the "Troubleshooting Chart" in this manual for information about common sump pump problems and remedies. For more information, see your dealer or call customer service at 1-888-782-7483.

1. Know the pump application, limitations, and potential hazards.
2. Disconnect the power before servicing.
3. Release all pressure within the system before servicing any component.
4. Drain all water from the system before servicing.
5. Secure the discharge line before starting the pump. An unsecured discharge line will whip, possibly causing personal injury and/or property damage.
6. Check the hoses for a weak or worn condition before each use. Make certain all connections are secure.
7. Periodically inspect the sump, pump and system components. Keep free of debris and foreign objects. Perform routine maintenance as required.
8. Provide a means of pressure relief for pumps whose discharge line can be shut-off or obstructed.
9. Personal Safety:
 - a. Wear safety glasses at all times when working with pumps.
 - b. Keep the work area clean, uncluttered and properly lighted – replace all unused tools and equipment.
 - c. Keep visitors at a safe distance from work area.
 - d. Make the workshop child-proof – with padlocks, master switches, and by removing starter keys.
10. When wiring an electrically driven pump, follow all electrical and safety codes that apply.
11. **This equipment is only for use on 115 volt (single phase) and is equipped with an approved 3-conductor cord and 3-prong, grounding-type plug.**

▲ WARNING **Electrical shock hazard. Can burn or kill.** To reduce risk of electric shock, pull plug before servicing. Pump is supplied with a grounding conductor and grounding-type attachment plug. Be sure it is connected only to a properly grounded grounding-type receptacle.

Where a 2-prong wall receptacle is encountered, it must be replaced with a properly grounded 3-prong receptacle installed in accordance with codes and ordinances that apply.

This pump has not been investigated for use in swimming pool areas.

12. All wiring should be performed by a qualified electrician.
13. Make certain the power source conforms to the requirements of your equipment.
14. Protect the electrical cord from sharp objects, hot surfaces, oil, and chemicals. Avoid kinking the cord. Replace or repair damaged or worn cords immediately.
15. Do not touch an operating motor. Modern motors are designed to operate at high temperatures.
16. Do not handle the pump or pump motor with wet hands or when standing on wet or damp surface, or in water.

▲ WARNING **Electrical shock hazard. Can burn or kill.** If your basement has water or moisture on floor, do not walk on wet area until all power has been turned off. If shut-off box is in basement, call electric company or hydro authority to shut-

off service to house, or call your local fire department for instructions. Remove pump and repair or replace. Failure to follow this warning can result in fatal electrical shock.

17. Vent the sewage or septic tank according to the local codes.
18. Do not install the pump in any location classified as hazardous by the National Electric Code, ANSI/NFPA 70-1984 or the Canadian Electrical Code.

INSTALLATION

1. Install the pump in a sump pit with a minimum diameter of 10" (254mm) for models equipped with vertical switches and 14" (356mm) for tethered float switch models. The sump depth should be 15" minimum (381mm). Construct the sump pit of tile, concrete, steel or plastic. Check the local codes for approved materials.
2. **NOTE:** When installing the vertical switch, the rod stop (Key No. 1F, page 4) must not be pushed up farther than the bottom nib on the float rod. Pushing it any farther up the rod will cause the switch to hang up on the pump discharge and will damage the pump.

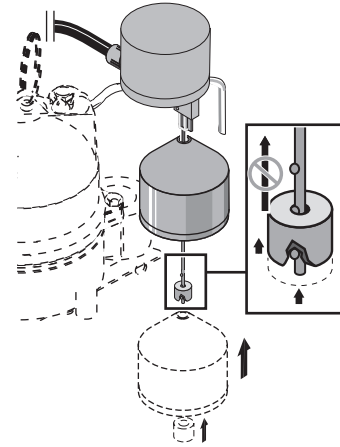


Figure 1

3. The pump should not be installed on clay, earth or sand surfaces. Clean the sump pit of small stones and gravel which could clog the pump. Keep the pump inlet screen clear.
 4. Install the pump in the pit so that the switch operating mechanism has maximum possible clearance.
 5. Install the discharge plumbing. When using rigid pipe, use plastic pipe. Wrap the threads with Teflon tape™. Screw the pipe into the pump hand tight +1 – 1-1/2 turns. **NOTICE:** Do not use ordinary pipe joint compound on plastic pipe. Pipe joint compound can attack plastics and damage the pump.
- ▲ CAUTION** **Risk of flooding.** If a flexible discharge hose is used, make sure the pump is secure in the sump to prevent movement. Failure to secure the pump may allow pump movement, switch interference and prevent the pump from starting or stopping.
6. To reduce motor noise and vibrations, a short length of rubber hose (e.g. radiator hose) can be connected into the discharge line near the pump using suitable clamps.
 7. Install an in-line check valve to prevent backward flow through the pump when the pump shuts off.
 8. Power Supply: The pump is designed for 115 V., 60 Hz., operation and requires a minimum 15 amp individual branch circuit (refer to Motor, Switch and Cord Specifications chart, Page 1). Both the pump and switch are supplied with 3-wire cord sets with grounding-type plugs. The switch plug is inserted directly into the outlet and the pump plug inserts into the opposite end of the switch plug.

™ E.I. DuPont de Nemours and Company Corporation.

▲WARNING **Hazardous voltage. Can shock, burn or kill.** The pump should always be electrically grounded to a suitable electrical ground such as a grounded water pipe or a properly grounded metallic raceway, or ground wire system. Do not modify the cord or plug or cut off the round ground pin.

9. If the pump discharge line is exposed to an outside sub-freezing atmosphere, the portion of the line exposed must be installed so any water remaining in the pipe will drain to the outfall by gravity. Failure to do this can cause the water trapped in the discharge to freeze which could result in damage to the pump.
10. After the piping and check valve have been installed, the unit is ready for operation.
11. Check the operation by filling the sump with water and observing pump operation through one complete cycle.

▲WARNING **Risk of Flooding.** Failure to make this operational check may lead to improper operation, premature failure, and flooding.

OPERATION / MAINTENANCE

▲WARNING **Risk of electrical shock. Can burn or cause death.** Do not handle a pump or pump motor with wet hands or when standing on a wet or damp surface, or in water.

Before attempting to check why unit has stopped operating, disconnect power from unit.

▲WARNING **Risk of fire and explosion. Can cause severe injury, property damage or death.** Do not use in explosive atmospheres. Pump water only with this pump.

1. The shaft seal depends on water for lubrication and cooling. Do not operate the pump unless it is submerged in water as the seal may be damaged if allowed to run dry.
2. The motor is equipped with an automatic reset thermal protector. If the temperature in the motor should rise unduly, the switch will cut off all power before damage

can be done to the motor. When the motor has cooled sufficiently, the switch will reset automatically and restart the motor. If the protector trips repeatedly, the pump should be removed and checked as to cause of difficulty. Low voltage, long extension cords, clogged impeller, very low head or lift, etc., could cause cycling.

3. The pump will not remove all water. If a manually operated pump is operating and suddenly no water comes out of the discharge hose, shut the unit off immediately. The water level is probably very low and the unit has broken prime.

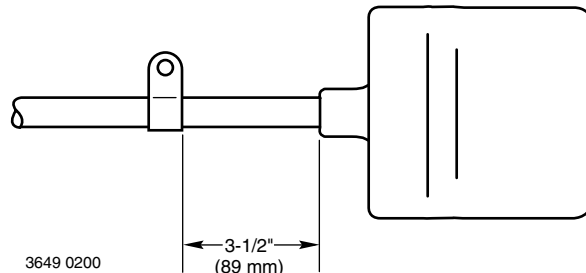


Figure 2 – Float Switch Tether Length, Models DC233110T, DC233120T, DC233130T, EC240110T, EC240120T, DC250110T and DC250120T.

NOTICE: Do not change the tether length of the float switch. The float must be able to swing through its complete arc without interference.

AIRLOCKS

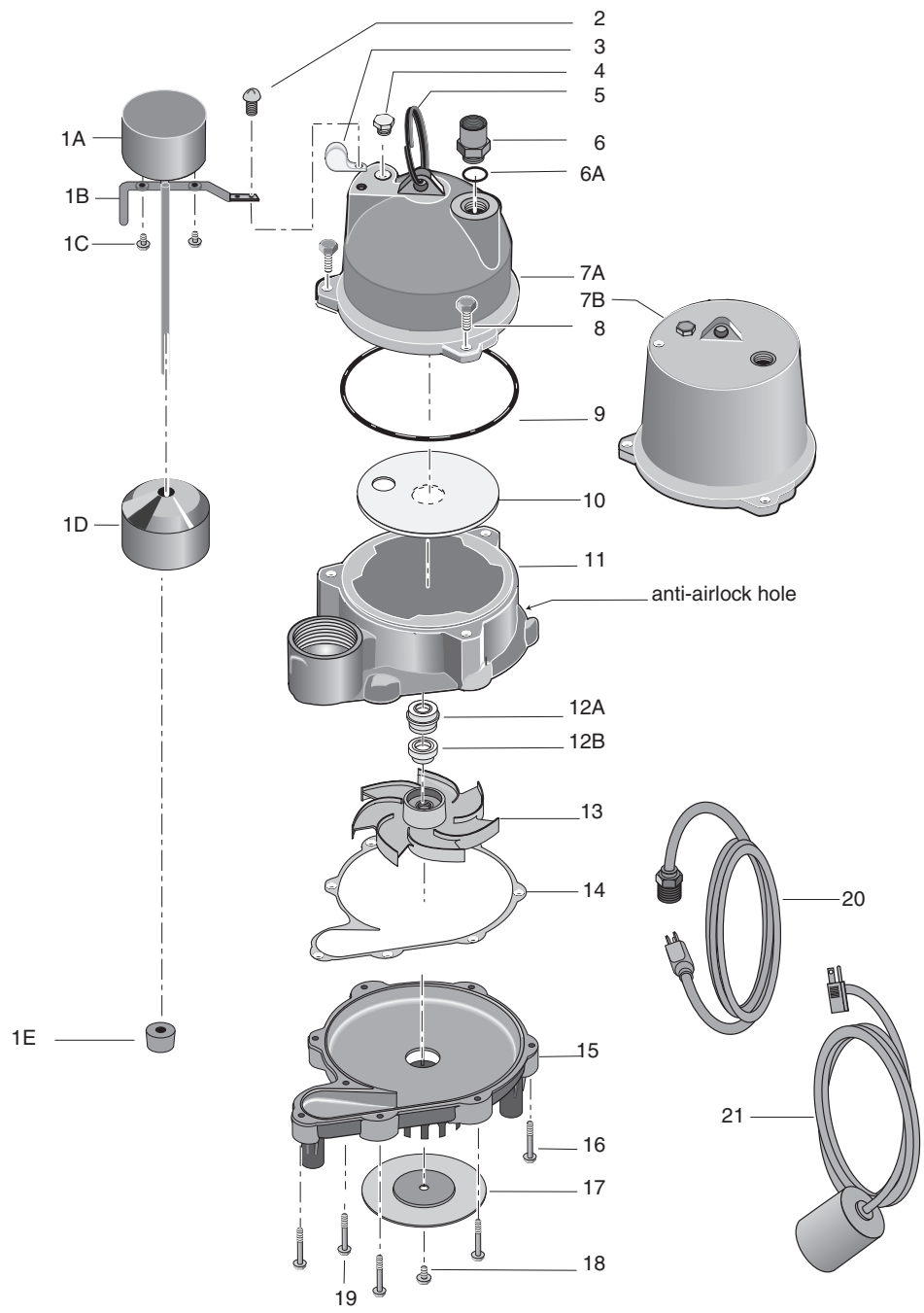
When a pump airlocks, it runs but does not move any water. An airlock will cause the pump to overheat and fail. This pump has a built in anti-airlock hole. See the exploded view on the repair parts page for the location of the hole. Leakage from the anti-airlock hole is normal.

If you suspect an airlock, unplug the pump, clean out the anti-airlock hole with a paper clip or a piece of wire, and restart the pump.

TROUBLESHOOTING CHART

SYMPTOM	PROBABLE CAUSE(S)	CORRECTIVE ACTION
Pump won't start or run.	Blown fuse. Low line voltage. Defective motor. Defective float switch. Impeller. Float is obstructed.	If blown, replace with a fuse of proper size. If the voltage is under the recommended minimum, check the size of the wiring from the main switch on the property. If OK, contact power company or hydro authority. Replace the pump. Replace the float switch. If the impeller won't turn, remove the lower pump body and locate the source of the binding. Remove the obstruction.
Pump starts and stops too often.	Backflow of water from piping. Faulty float switch.	Install or replace the check-valve. Replace the float switch.
Pump won't shut off.	Defective float switch. Restricted discharge (obstacle in piping). Float obstructed.	Replace the float switch. Remove the pump and clean the pump and piping. Remove the obstruction.
Pump operates but delivers little or no water.	Low line voltage. Something is caught in impeller. Anti-airlock hole is plugged.	If the voltage is under the recommended minimum, check the size of the wiring from the main switch on the property. If OK, contact power company or hydro authority. Clean out the impeller. Turn off the pump, clean out the anti-airlock hole, and restart pump.

DC233110T, DC233120T,
 DC233130T, DC233110V,
 DC233120V, DC233110M,
 DC233120M, EC240110T,
 EC240110M, EC240120T,
 EC240120M, DC250110T,
 DC250120T, DC250110V,
 DC250120V, DC250110M,
 DC250120M



REPLACEMENT PARTS LIST

Key No.	Description	Qty.	EC240110T	EC240120T	DC233110V	DC233120V	EC240110M	EC240120M
			DC233110T	DC233120T	DC233130T	DC250110V	DC250120V	DC233110M
			DC250110T	DC250120T	DC250110V	DC250120V	DC250110M	DC250120M
1	Vertical Switch (Incl. 1A thru 1F)	1	–	–	PKG 208	PKG 209	–	–
1A	Switch	1						
1B	Mounting Bracket	1						
1C	Screw	2						
1D	Float	1						
1E	Stop	1						
2	Screw, #8-1/2" self-tapping (†)	1	U30-539SS	U30-539SS	U30-539SS	U30-539SS	–	–
3	Switch Cord Clamp (†)	1	CC0030-13	CC0030-13	–	–	–	–
4	Oil Fill Plug	1	U78-941ZPV	U78-941ZPV	U78-941ZPV	U78-941ZPV	U78-941ZPV	U78-941ZPV
5	Ring Handle	1	U97-128	U97-128	U97-128	U97-128	U97-128	U97-128
6	Cord Connector	1	PS17-46P	PS17-46P	PS17-46P	PS17-46P	PS17-46P	PS17-46P
6A	O-Ring	1	U9-370	U9-370	U9-370	U9-370	U9-370	U9-370
7A	Motor Cover - DC Series	1	PS18-144B	PS18-144B	PS18-144B	PS18-144B	PS18-144B	PS18-144B
7B	Motor Cover - EC Series		PS18-149B	PS18-149B	–	–	PS18-149B	PS18-149B
8	#10-32 x3/4", Capscrew	3	U30-482SS	U30-482SS	U30-482SS	U30-482SS	U30-482SS	U30-482SS
9	O-Ring	1	U9-339	U9-339	U9-339	U9-339	U9-339	U9-339
10	Insulating Disk	1	PS18-82	PS18-82	PS18-82	PS18-82	PS18-82	PS18-82
11	Motor / Upper Volute	1	*	*	*	*	*	*
12A	Shaft Seal Stationary Head Assembly	1	U9-379A	U9-379A	U9-379A	U9-379A	U9-379A	U9-379A
12B	Shaft Seal Rotating Mating Ring	1	U9-321A	U9-321A	U9-321A	U9-321A	U9-321A	U9-321A
13	Impeller	1	**	**	**	**	**	**
14	Gasket	1	PS20-21	PS20-21	PS20-21	PS20-21	PS20-21	PS20-21
15	Lower Volute	1	PS1-34P	PS1-34P	PS1-34P	PS1-34P	PS1-34P	PS1-34P
16	Lower Pump Body Screw #10-32x1" Hex Washer, self-tapping	7	U30-966SS	U30-966SS	U30-966SS	U30-966SS	U30-966SS	U30-966SS
17	Suction Plate***	1	U43-142SS	U43-142SS	U43-142SS	U43-142SS	U43-142SS	U43-142SS
18	Screw, #6-1/4" pan head***	1	U30-972SS	U30-972SS	U30-972SS	U30-972SS	U30-972SS	U30-972SS
19	Lower Pump Body Screw #10-32x1-1/8" Hex Washer, self-tapping	1	U30-967SS	U30-967SS	U30-967SS	U30-967SS	U30-967SS	U30-967SS
20	Powercord Assembly	1	See Chart	See Chart	See Chart	See Chart	See Chart	See Chart
21	Tethered Float Switch (†) (††)	1	PS217-62	PS217-64	–	–	–	–
	Dielectric Oil All Models use .61 qts.	1	U197-8A	U197-8A	U197-8A	U197-8A	U197-8A	U197-8A

* If the Motor fails replace the entire pump.

** The DC233 Series pumps use Impeller number PS5-26P. All remaining Model numbers use Impeller number PS5-29P.

*** DC Series pumps only.

(†) For use with Model Numbers ending in "T".

(††) Model DC233130T uses Part No. PS217-164.

POWER CORD ASSEMBLY

Pump Model Number	Part Number	Pump Model Number	Part Number
DC233110M	PW117-281-TSU	DC250110V	PW117-237-TSU
DC233110T	PW117-281-TSU	DC250120M	PW117-122-TSU
DC233110V	PW117-281-TSU	DC250120T	PW117-122-TSU
DC233120M	PW117-122-TSU	DC250120V	PW117-122-TSU
DC233120T	PW117-122-TSU	EC240110M	PW117-237-TSE
DC233120V	PW117-122-TSU	EC240110T	PW117-237-TSE
DC233130T	PW117-293-TSU	EC240120M	PW117-122-TSE
DC250110M	PW117-237-TSU	EC240120T	PW117-122-TSE
DC250110T	PW117-237-TSU		

LIMITED WARRANTY

STA-RITE warrants to the original consumer purchaser ("Purchaser" or "You") of the products listed below, that they will be free from defects in material and workmanship for the Warranty Period shown below.

Product	Warranty Period
Water Systems Products — jet pumps, small centrifugal pumps, submersible pumps and related accessories	<i>whichever occurs first:</i> 12 months from date of original installation, or 18 months from date of manufacture
Pro-Source™ Composite Tanks	5 years from date of original installation
Pro-Source™ Steel Pressure Tanks	5 years from date of original installation
Pro-Source™ Epoxy-Lined Tanks	3 years from date of original installation
Sump/Sewage/Effluent Products	12 months from date of original installation, or 18 months from date of manufacture

Our warranty will not apply to any product that, in our sole judgement, has been subject to negligence, misapplication, improper installation, or improper maintenance. Without limiting the foregoing, operating a three phase motor with single phase power through a phase converter will void the warranty. Note also that three phase motors must be protected by three-leg, ambient compensated, extra-quick trip overload relays of the recommended size or the warranty is void.

Your only remedy, and STA-RITE's only duty, is that STA-RITE repair or replace defective products (at STA-RITE's choice). You must pay all labor and shipping charges associated with this warranty and must request warranty service through the installing dealer as soon as a problem is discovered. No request for service will be accepted if received after the Warranty Period has expired. This warranty is not transferable.

STA-RITE SHALL NOT BE LIABLE FOR ANY CONSEQUENTIAL, INCIDENTAL, OR CONTINGENT DAMAGES WHATSOEVER.

THE FOREGOING WARRANTIES ARE EXCLUSIVE AND IN LIEU OF ALL OTHER EXPRESS AND IMPLIED WARRANTIES, INCLUDING BUT NOT LIMITED TO THE IMPLIED WARRANTIES OF MERCHANTABILITY AND FITNESS FOR A PARTICULAR PURPOSE. THE FOREGOING WARRANTIES SHALL NOT EXTEND BEYOND THE DURATION EXPRESSLY PROVIDED HEREIN.

Some states do not allow the exclusion or limitation of incidental or consequential damages or limitations on the duration of an implied warranty, so the above limitations or exclusions may not apply to You. This warranty gives You specific legal rights and You may also have other rights which vary from state to state.

This warranty supersedes and replaces all previous warranty publications.

STA-RITE INDUSTRIES
293 Wright St., Delavan, WI 53115



293 Wright Street • Delavan, WI 53115

Bombas sumergible de sumidero/efluente

MANUAL DE INSTALACIÓN, OPERACIÓN Y REPUESTOS

INFORMACIÓN SOBRE LA SEGURIDAD

Es importante que lea y observe todas las instrucciones de seguridad que aparezcan en este manual o en la bomba.

⚠ Este es un símbolo de alerta sobre la seguridad. Cuando vea este símbolo en su bomba o en este manual, busque para ver si hay alguna de las siguientes palabras de señal y esté alerta a la posibilidad de lesiones personales.

⚠ PELIGRO Advierte sobre peligros que ocasionarán lesiones personales graves, muerte o daños considerables a la propiedad si se les ignora.

⚠ ADVERTENCIA Advierte sobre peligros que pueden ocasionar lesiones personales graves, muerte o daños considerables a la propiedad si se ignoran.

⚠ PRECAUCIÓN Advierte sobre peligros que ocasionarán o pueden ocasionar lesiones personales o daños a la propiedad menores si se ignoran.

La palabra **AVISO** indica instrucciones especiales que son importantes pero que no están relacionadas con los peligros.

DESCRIPCIÓN

Estas Bombas Sumergible de Sumidero ha sido diseñada para sumideros domésticos. La unidad viene equipada con un cordón de corriente de 3 puntas, de tipo conexión a tierra. El motor de polos protegidos está lleno de aceite y sellado para funcionamiento más frío. Los cojinetes de bolas de la camisa superior/inferior en el eje del motor nunca necesitan lubricación. Con protección térmica de reposición automática.

ESPECIFICACIONES

Suministro de corriente requerido115V, 60 Hz
 Servicio del motorContinuo
 Gama de temp. del líquido32° F a 130° F (0° - 54° C)
 Requiere un ramal individual Serie DC233:15 amperios
 Serie EC240:15 amperios
 Serie DC250:20 amperios
 Accesorios de descarga (Serie DC y EC):NPT de 1-1/2"

RENDIMIENTO

Modelo	GPM (LPM) A ALTURA TOTAL EN PIES (m)				No hay flujo a las alturas siguientes:
	5 (1,5m)	10 (3m)	15 (4,6m)	20 (6,1m)	
Capacidad en galones (litros)/minuto					
Serie DC233	48 (182)	40 (151)	29 (110)	15 (57)	24 ft. (7,3m)
Serie EC240	62 (235)	53 (201)	46 (174)	38 (144)	32 ft. (9,8m)
Serie DC250	62 (235)	53 (201)	46 (174)	38 (144)	32 ft. (9,8m)

ESPECIFICACIONES DEL MOTOR, CONMUTADOR Y CORDÓN

Número del modelo	Motor – CV	Carga total del motor – amps	Requiere un ramal individual (amperios)	Largo del cordón	*Graduación del conmutador en pulgadas (mm)	
					Encendido	Apagado
DC233110T	1/3	9,8	15	10'	13" (330)	4" (102)
DC233110V	1/3	9,8	15	10'	7" (178)	2" (51)
DC233110M	1/3	9,8	15	10'	–	–
DC233120T	1/3	9,8	15	20'	13" (330)	4" (102)
DC233120V	1/3	9,8	15	20'	7" (178)	2" (51)
DC233120M	1/3	9,8	15	20'	–	–
DC233130T	1/3	9,8	15	30'	13" (330)	4" (102)
EC240110M	4/10	12,5	15	10'	–	–
EC240110T	4/10	12,5	15	10'	14" (356)	5" (127)
EC240120M	4/10	12,5	15	20'	–	–
EC240120T	4/10	12,5	15	20'	14" (356)	5" (127)
DC250110T	1/2	12,5	15	10'	13" (330)	4" (102)
DC250110V	1/2	12,5	15	10'	7" (178)	2" (51)
DC250110M	1/2	12,5	15	10'	–	–
DC250120T	1/2	12,5	15	20'	13" (330)	4" (102)
DC250120V	1/2	12,5	15	20'	7" (178)	2" (51)
DC250120M	1/2	12,5	15	20'	–	–

INFORMACIÓN GENERAL SOBRE LA SEGURIDAD

Las bombas de sumidero con accionamiento eléctrico, generalmente brindan muchos años de servicio sin problemas cuando se las instala, mantiene y emplea correctamente. Sin embargo, circunstancias inusuales (como la interrupción de la corriente hacia la bomba, suciedad/escombros en el sumidero, inundación que supera la capacidad de la bomba, fallas eléctricas o mecánicas en la bomba, etc.) pueden evitar que la bomba funcione normalmente. Para evitar posibles daños causados por el agua y debidos a inundaciones, consulte con su representante de ventas sobre la posibilidad de instalar una bomba secundaria de sumidero, una bomba de reserva de CA para sumidero, y/o una alarma de nivel alto de agua. Consulte la "Tabla de localización de fallas" en este manual para obtener información sobre los problemas comunes con bombas de sumidero y sus soluciones. Para mayor información, consulte con su representante de ventas o llame al departamento de servicio al cliente, marcando 1-888-782-7483.

1. Infórmese sobre la aplicación, limitaciones y posibles riesgos de la bomba.
2. Desconecte la energía eléctrica antes de efectuar reparaciones.
3. Alivie toda la presión dentro del sistema antes de reparar cualquier componente.
4. Drene toda el agua del sistema antes de efectuar reparaciones.
5. Asegure bien la tubería de descarga antes de poner en marcha la bomba. Una tubería de descarga que no esté bien segura puede moverse y causar lesiones personales y/o daños materiales.
6. Antes de cada uso, verifique si las mangueras están débiles o gastadas, asegurándose de que todas las conexiones estén firmes.
7. Inspeccione periódicamente el sumidero, la bomba y los componentes del sistema. Manténgalos limpios de basuras y objetos foráneos. Realice el mantenimiento de rutina según sea necesario.
8. Provea un medio de alivio de la presión para aquellas bombas cuya tubería de descarga pueda bloquearse u obstruirse.
9. Seguridad Personal :
 - a. Use lentes protectores en todo momento cuando trabaje con la bomba.
 - b. Mantenga la zona de trabajo limpia, despejada y debidamente iluminada - guarde todas herramientas y el equipo que no se use.
 - c. Mantenga a los visitantes a una distancia segura de la zona de trabajo.
 - d. Asegúrese de que su taller sea a prueba de niños - con candados, conmutadores maestros y sacando las llaves del arrancador.
10. Cuando instale el cableado de una bomba accionada eléctricamente, observe todos los códigos eléctricos y de seguridad que correspondan.
11. **Esta bomba se puede usar solamente con corriente de 115 voltios (monofásica) y está equipada con un cordón aprobado de 3 conductores y 3 clavijas, de tipo con conexión a tierra.**

⚠ ADVERTENCIA

Riesgo de choque eléctrico. Puede causar quemaduras o muerte. Para reducir el riesgo de choque eléctrico, desenchufe la bomba antes de repararla. La bomba es suministrada con un conductor de puesta a tierra y un enchufe de tipo con conexión a tierra. Asegúrese de que se conecte solamente a un tomacorriente puesto a tierra, de tipo con conexión a tierra. Si el tomacorriente mural es del tipo para 2 clavijas, éste debe ser reemplazado por un tomacorriente de 3 clavijas e instalado de acuerdo con los códigos y reglamentos que correspondan. No se ha comprobado aún si esta bomba pueda ser usada en albercas.

12. Todo el cableado debe ser efectuado por un electricista certificado.
13. Asegúrese de que la fuente de alimentación cumpla con los requisitos de su equipo.
14. Proteja el cordón eléctrico contra objetos afilados, superficies calientes, aceite y sustancias químicas. Evite que se enrede. Reemplace o repare inmediatamente un cordón que esté dañado o gastado.
15. No toque un motor cuando esté funcionando. Los motores modernos están diseñados para funcionar a temperaturas altas.
16. No manipule la bomba ni el motor de la bomba con las manos mojadas o cuando esté parado en suelo húmedo o mojado, o en el agua.

⚠ ADVERTENCIA

Riesgo de choque eléctrico. Puede causar quemaduras o muerte. Si su sótano tiene agua o humedad en el piso, no camine en el lugar mojado hasta que no haya desactivado toda fuente de corriente eléctrica. Si la llave de paso está en el sótano, llame a la compañía de electricidad o de energía para cortar el servicio a su casa,

o llame al departamento de bomberos de su localidad para solicitar instrucciones. Saque la bomba y repárela o reemplácela. El incumplimiento de esta advertencia puede resultar en un choque eléctrico mortal.

17. Ventile el tanque cloacal o séptico según los códigos locales.
18. No instale la bomba en ningún lugar clasificado como peligroso por el Código Eléctrico Nacional, ANSI/NFPA 70-1984 o el Código Eléctrico Canadiense.

INSTALACIÓN

1. Instale la bomba en el foso del sumidero con un diámetro mínimo de 10" (254 mm) para los modelos equipados con conmutadores verticales y 14" (356 mm) para los modelos con conmutadores anclados de flotador. La profundidad del sumidero debe ser de 15" (381 mm). Construya el foso del sumidero de baldosa, hormigón, acero o plástico. Consulte todos los códigos locales con respecto a los materiales que hayan recibido el visto bueno.
2. **NOTA:** Cuando instale el conmutador vertical, no empuje el tope de la barra (Clave No. 1F, página 4) más arriba de la punta inferior en la barra del flotador. Si se empuja más arriba por la barra, el conmutador quedará colgado en la descarga de la bomba y la dañará.

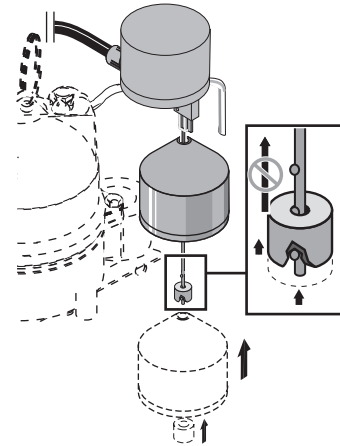


Figura 1

3. La bomba no se debe instalar sobre superficies de barro, tierra o arena. Limpie toda piedrita o gravilla que se encuentre el foso del sumidero y que pueda obstruir la bomba. Mantenga la malla de admisión de la bomba limpia y despejada.
4. Instale la bomba en el foso de manera que el mecanismo de operación del conmutador tenga el máximo posible de luz (espacio libre).
5. Instale la tubería de descarga. Cuando use tubería rígida, use tubería que sea de plástico. Envuelva las roscas con cinta Teflón™. Atornille a mano la tubería en la bomba, +1 – 1-1/2 vuelta.

AVISO: No use un compuesto común para juntas de tuberías en una tubería de plástico. El compuesto para juntas de tuberías puede atacar al plástico y perjudicar la bomba.

⚠ PRECAUCIÓN

- Riesgo de inundación.** Si se usa una manguera de descarga flexible, asegúrese de que la bomba esté bien inmovilizada para que no pueda moverse dentro del sumidero. Si la bomba no está bien firme puede moverse y causar interferencia con el conmutador, impidiendo que la bomba se ponga en marcha o se detenga.
6. Para reducir el ruido y las vibraciones del motor, se puede conectar una manguera corta de caucho (por ej. manguera de radiador) en la línea de descarga, cerca de la bomba, usando las abrazaderas adecuadas.
 7. Instale una válvula de retención en línea para evitar el retroflujo a través de la bomba cuando ésta se apague.
 8. Fuente de Alimentación: La bomba está diseñada para funcionar con corriente de 115 V., 60 Hz. y requiere un ramal individual mínimo de 15 amps. (Consulte la tabla de Especificaciones del motor, conmutador y cordón, en la página 1). Tanto la bomba como el conmutador vienen con juegos de cordones de 3 conductores con enchufes del tipo con conexión a tierra. El enchufe del conmutador se enchufa directamente en el tomacorriente y el enchufe de la bomba se introduce en el extremo opuesto del enchufe del conmutador.

™ E.I. DuPont de Nemours and Company Corporation.

⚠ ADVERTENCIA

Tension peligrosa. Puede causar

choque, quemaduras o muerte. La bomba siempre debe estar puesta a tierra por medio de una conexión eléctrica a tierra adecuada como una tubería de agua puesta a tierra, una canalización metálica debidamente puesta a tierra, o un sistema de cableado a tierra. No modifique el cordón ni el enchufe, ni corte la clavija redonda de conexión a tierra.

9. Si la línea de descarga de la bomba está expuesta a la intemperie con temperaturas debajo del punto de congelamiento, la porción de la línea que quede expuesta, deberá ser instalada de manera que el agua que permanezca en la tubería se desagüe hacia la salida por gravedad. Si se ignora esta precaución, existe el riesgo de que el agua que quede atrapada en la descarga se congele y dañe la bomba.
10. Después de que se haya instalado la tubería y la válvula de retención, la bomba estará lista para su funcionamiento.
11. Verifique el funcionamiento de la bomba, llenando el sumidero con agua y haciendo funcionar la bomba a través de un ciclo completo.

⚠ ADVERTENCIA

Riesgo de inundación. El incumplimiento de esta verificación del funcionamiento puede resultar en una funcionamiento inadecuado, en una falla prematura y en inundaciones.

OPERACIÓN/MANTENIMIENTO

⚠ ADVERTENCIA

Riesgo de choque eléctrico. Puede causar quemaduras o muerte. No manipulee la bomba ni el motor de la bomba con manos mojadas o cuando esté parado sobre una superficie mojada o húmeda, o en agua.

Antes de tratar de verificar la razón por la cual la unidad ha dejado de funcionar, desconecte la corriente.

⚠ ADVERTENCIA

Riesgo de incendio o de explosión. Puede causar lesiones graves, daños materiales o muerte. No se debe usar en atmósferas explosivas. Esta bomba se debe utilizar solamente para bombear agua.

1. El sello del eje depende del agua para su lubricación y refrigeración. No opere la bomba a menos que se encuentre en agua, ya que el sello se perjudicará si marcha en seco.
2. El motor viene equipado con un protector térmico de reposición automática. Si la temperatura en el motor se eleva indebidamente, el conmutador cortará la corriente antes de que el motor se pueda

perjudicar. Cuando el motor se haya enfriado lo suficiente, el conmutador se repositonará automáticamente y volverá a arrancar el motor. Si el protector se dispara repetidamente, será necesario sacar la bomba y verificar la causa de este problema. Una tensión baja, cordones largos de extensión, un impulsor tapado, muy poca altura o elevación, etc. pueden ocasionar estos ciclos.

3. La bomba no extrae toda el agua. Si una bomba operada manualmente está funcionando y de repente no sale agua de la manguera de descarga, apague la unidad inmediatamente. El nivel del agua es probablemente muy bajo y la unidad no está cebando.

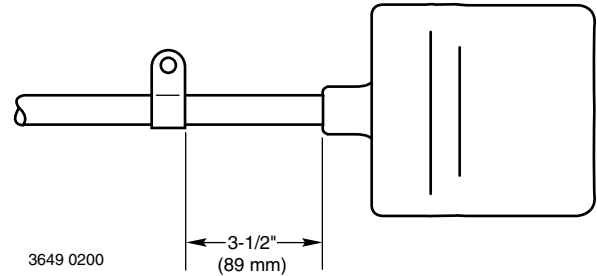


Figura 2 – Largo de la traba del conmutador de flotación: Modelos DC233110T, DC233130T, DC233120T, EC240110T, EC240120T, DC250110T y DC250120T.

AVISO: No cambie el largo de la traba del conmutador de flotación. El flotador debe poder columpiarse en su arco completo sin interferir.

BOLSAS DE AIRE (“AIRLOCK”)

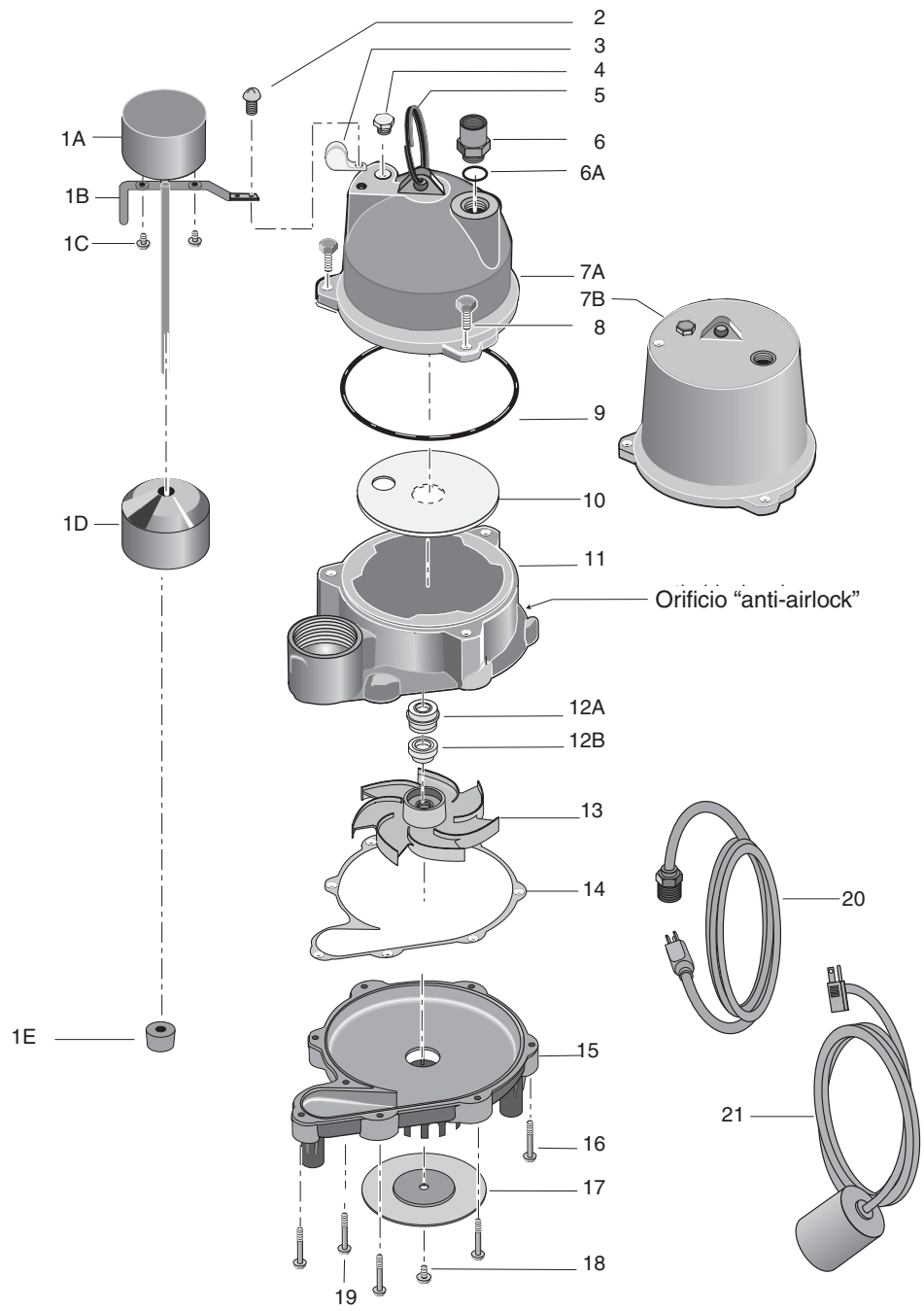
Cuando el flujo de la bomba disminuye o se para debido a bolsas de aire, la bomba marcha pero no mueve agua. Una bolsa de aire puede hacer que la bomba se recaliente y falle. Esta bomba posee un orificio “anti-airlock” para eliminar las bolsas de aire, (ver la pagina 4). Fugas del orificio “anti-airlock” está normal.

Si usted sospecha que hay una bolsa de aire, desenchufe la bomba, limpie el orificio “anti-airlock” con un clip de papel o un trozo de alambre y vuelva a activarla.

TABLA DE LOCALIZACIÓN DE FALLAS

SÍNTOMA	CAUSA(S) PROBABLE(S)	ACCIÓN CORRECTIVA
La bomba no arranca o no marcha.	Fusible quemado. Baja tensión de línea. Motor defectuoso. Conmutador de flotación defectuoso. Impulsor. Flotador obstruido.	Si está quemado, cámbielo por un fusible del tamaño adecuado. Si la tensión se encuentra por debajo del mínimo recomendado, verifique el tamaño de los cables desde el conmutador principal en la propiedad. Si es el correcto, comuníquese con la empresa de energía o de suministro de corriente eléctrica. Cambie la bomba. Cambie el conmutador de flotador. Si el impulsor no gira, saque el cuerpo inferior de la bomba y ubique la fuente de atascamiento. Elimine la obstrucción.
La bomba arranca y se detiene con demasiada frecuencia.	Retroflujo de agua desde la tubería. Conmutador de flotación defectuoso.	Instale o cambie la válvula de retención. Cambie el conmutador de flotador
La bomba no se apaga.	Conmutador de flotación defectuoso. Descarga limitada (obstáculo en la tubería). Flotador obstruido.	Cambie el conmutador de flotador. Saque la bomba y limpie la bomba y la tubería. Elimine la obstrucción.
La bomba funciona pero entrega poco o nada de agua.	Baja tensión de línea. Hay algo atrapado en el impulsor. Bolsa de aire (disminución de flujo)	Si la tensión se encuentra por debajo del mínimo recomendado, verifique el tamaño de los cables desde el conmutador principal en la propiedad. Si es el correcto, comuníquese con la empresa de energía o de suministro de corriente eléctrica. Limpie el impulsor. Apague la bomba por unos segundos, limpie el orificio “anti-airlock” y luego vuelva a activarla.

DC233110T, DC233120T,
 DC233130T, DC233110V,
 DC233120V, DC233110M,
 DC233120M, EC240110T,
 EC240110M, EC240120T,
 EC240120M, DC240110T,
 DC240120T, DC240110V,
 DC240120V, DC240110M,
 DC240120M



LISTA DE PIEZAS DE REPUESTO

Clave	Descripción	Cant.	EC240110T	EC240120T	DC233110V	DC233120V	EC240110M	EC240120M
			DC233110T	DC233130T			DC233110M	DC233120M
			DC250110T	DC250120T	DC250110V	DC250120V	DC250110M	DC250120M
1	Conmutador vertical (incl. 1A al 1F)	1	–	–	PKG 208	PKG 209	–	–
1A	Conmutador	1						
1B	Soporte de montaje	1						
1C	Tornillo	2						
1D	Flotador	1						
1E	Tope	1						
2	Tornillo, #8-1/2" autorroscante (†)	1	U30-539SS	U30-539SS	U30-539SS	U30-539SS	–	–
3	Abrazadera del cable del interruptor (†)	1	CC0030-13	CC0030-13	–	–	–	–
4	Tapón de aceite	1	U78-941ZPV	U78-941ZPV	U78-941ZPV	U78-941ZPV	U78-941ZPV	U78-941ZPV
5	Mango anular	1	U97-128	U97-128	U97-128	U97-128	U97-128	U97-128
6	Conector del cordón	1	PS17-46P	PS17-46P	PS17-46P	PS17-46P	PS17-46P	PS17-46P
6A	Aro tórico	1	U9-370	U9-370	U9-370	U9-370	U9-370	U9-370
7A	Tapa del motor - DC Series	1	PS18-144B	PS18-144B	PS18-144B	PS18-144B	PS18-144B	PS18-144B
7B	Tapa del motor - EC Series		PS18-149B	PS18-149B	–	–	PS18-149B	PS18-149B
8	Tornillo de cabeza # 10-32 x 3/4"	3	U30-482SS	U30-482SS	U30-482SS	U30-482SS	U30-482SS	U30-482SS
9	Aro tórico	1	U9-339	U9-339	U9-339	U9-339	U9-339	U9-339
10	Disco aislador	1	PS18-82	PS18-82	PS18-82	PS18-82	PS18-82	PS18-82
11	Motor/Voluta superior	1	*	*	*	*	*	*
12A	Ensamblaje del cabezal fijo del eje sellado	1	U9-379A	U9-379A	U9-379A	U9-379A	U9-379A	U9-379A
12B	Aro giratorio del eje sellado	1	U9-321A	U9-321A	U9-321A	U9-321A	U9-321A	U9-321A
13	Impulsor	1	**	**	**	**	**	**
14	Junta	1	PS20-21	PS20-21	PS20-21	PS20-21	PS20-21	PS20-21
15	Voluta inferior	1	PS1-34P	PS1-34P	PS1-34P	PS1-34P	PS1-34P	PS1-34P
16	Tornillo del cuerpo inferior de la bomba #10-32x1" Arandela hexagonal, autorroscante	7	U30-966SS	U30-966SS	U30-966SS	U30-966SS	U30-966SS	U30-966SS
17	Tubería de placa***	1	U43-142SS	U43-142SS	U43-142SS	U43-142SS	U43-142SS	U43-142SS
18	Tornillo de cabeza platillo #6-1/4"****	1	U30-972SS	U30-972SS	U30-972SS	U30-972SS	U30-972SS	U30-972SS
19	Tornillo del cuerpo inferior de la bomba #10-32x1-1/8" Arandela hexagonal, autorroscante	1	U30-967SS	U30-967SS	U30-967SS	U30-967SS	U30-967SS	U30-967SS
20	Ensamblaje del cordón eléctrico	1	Ver Tabla	Ver Tabla	Ver Tabla	Ver Tabla	Ver Tabla	Ver Tabla
21	Conmutador de flotador anclado (†) (††)	1	PS217-62	PS217-64	–	–	–	–
	Aceite dieléctrico. Todos los modelos usan .61 qts.	1	U197-8A	U197-8A	U197-8A	U197-8A	U197-8A	U197-8A

* Si el motor falla, cambie toda la bomba. La Serie EC2 usa el Motor/la Voluta Superior 8A.

** Use el impulsor PS5-26P para los modelos DC233 (1/3 CV) y PS5-29 para ambos modelos DC250 (1/2 CV) y EC240 (4/10 CV).

*** Bomba de serie DC solamente.

(†) Para ser utilizado en los números de modelo que terminan en "T".

(††) Model DC233130T uses Part No. PS217-164.

ENSAMBLAJE DEL CORDÓN ELÉCTRICO

Modelo número de bomba	Número de parte	Modelo número de bomba	Número de parte
DC233110M	PW117-281-TSU	DC250110V	PW117-237-TSU
DC233110T	PW117-281-TSU	DC250120M	PW117-122-TSU
DC233110V	PW117-281-TSU	DC250120T	PW117-122-TSU
DC233120M	PW117-122-TSU	DC250120V	PW117-122-TSU
DC233120T	PW117-122-TSU	EC240110M	PW117-237-TSE
DC233120V	PW117-122-TSU	EC240110T	PW117-237-TSE
DC233130T	PW117-293-TSU	EC240120M	PW117-122-TSE
DC250110M	PW117-237-TSU	EC240120T	PW117-122-TSE
DC250110T	PW117-237-TSU		

GARANTÍA LIMITADA

STA-RITE le garantiza al comprador/consumidor original ("Comprador" o "Usted") de los productos enumerados abajo, que estos estarán libres de defectos en material y mano de obra durante el Período de Garantía indicado a continuación.

Producto	Período de Garantía
Productos de sistemas de agua — bombas de chorro, pequeñas bombas centrífugas, bombas sumergibles y accesorios asociados	<i>lo que ocurra primero:</i> 12 meses desde la fecha de la instalación inicial, o 18 meses desde la fecha de fabricación
Tanques de compuesto Pro-Source ^{MC}	5 años desde la fecha de la instalación inicial
Tanques a presión de acero Pro-Source ^{MC}	5 años desde la fecha de la instalación inicial
Tanques con revestimiento epoxídico Pro-Source ^{MC}	3 años desde la fecha de la instalación inicial
Productos para sumideros/aguas residuales/efluente	12 meses desde la fecha de la instalación inicial, o 18 meses desde la fecha de fabricación

Nuestra garantía no se aplicará a ningún producto que, a nuestro sólo juicio, haya sido sometido a negligencia, mal uso, instalación inadecuada o mal mantenimiento. Sin perjuicio a lo que antecede, la garantía quedará anulada en el caso en que un motor trifásico se haya usado con una fuente de alimentación monofásica, a través de un convertidor de fase. Es importante indicar que los motores trifásicos deben estar protegidos por relés de sobrecarga de disparo extra-rápido, con compensación ambiental de tres etapas, del tamaño recomendado, de lo contrario, la garantía quedará anulada.

Su único recurso, y la única obligación de STA-RITE es que STA-RITE repare o reemplace los productos defectuosos (a juicio de STA-RITE). Usted deberá pagar todos los cargos de mano de obra y de envío asociados con esta garantía y deberá solicitar el servicio bajo garantía a través del concesionario instalador tan pronto como se descubra un problema. No se aceptará ninguna solicitud de servicio bajo garantía que se reciba después del vencimiento del Período de Garantía. Esta garantía no se puede transferir.

STA-RITE NO SE HARÁ RESPONSABLE DE NINGÚN DAÑO CONSECUENTE, INCIDENTAL O CONTINGENTE.

LAS GARANTÍAS QUE ANTECEDEN SON EXCLUSIVAS Y EN LUGAR DE TODA OTRA GARANTÍA EXPLÍCITA O IMPLÍCITA, INCLUYENDO PERO SIN LIMITARSE A LAS GARANTÍAS IMPLÍCITAS DE COMERCIALIZACIÓN E IDONEIDAD PARA UN FIN ESPECÍFICO. LAS GARANTÍAS QUE ANTECEDEN NO SE EXTENDERÁN MÁS ALLÁ DE LA DURACIÓN EXPRESAMENTE SUMINISTRADA EN LA PRESENTE.

Algunos estados no permiten la exclusión o limitación de daños incidentales o consecuentes o de limitaciones de tiempo sobre garantías implícitas, de modo que es posible que las limitaciones o exclusiones que preceden no correspondan en su caso. Esta garantía le otorga derechos legales específicos y es posible que usted también tenga otros derechos que pueden variar de un estado al otro.

Esta garantía reemplaza toda garantía publicada anteriormente.

STA-RITE INDUSTRIES
293 Wright St., Delavan, WI 53115