



# self-priming cast iron convertible jet pumps



*The ProJet™ SL convertible jet pumps offer a proven cast iron self-priming design available in 1/2 – 1-1/2 HP models. The ProJet™ SL convertible jets utilize the BERKELEY® built-in regulators offering easier priming and better range of performance from a complete line of shallow well, 4" double pipe, 2" and 3" single pipe jet packages.*

### APPLICATIONS

- Water systems and sprinkling... for homes, farms and cottages.

### SPECIFICATIONS

- Body and Seal Plate** – Close grained cast iron
- Impeller** – High strength Noryl®
- Diffuser** – Reinforced polypropylene with brass wear ring
- Shaft** – One piece threaded 416 stainless steel
- Base** – Steel, 10 gauge
- Max. Liquid Temperature Limits** – 140°F
- Max. Inlet Pressure** – 50 PSI
- Pressure Switch Pre-Set** – 30 50 PSI
- Suction Ports** – “Suction over Drive”

### ORDERING INFORMATION

Catalog Number	HP	Description	Pipe Tapping Sizes			Motor Voltage	Approx. Wt. Lbs.
			Suct.	Drive	Disch.		
5SL/5SLJ*	1/2	Base Mounted Pump	1-1/4"	1"	1"	115/230	40
7SL/7SLJ*	3/4	Base Mounted Pump	1-1/4"	1"	1"	115/230	42
10SL/10SLJ*	1	Base Mounted Pump	1-1/4"	1"	1"	115/230	60
15SL/15SLJ*	1-1/2	Base Mounted Pump	1-1/4"	1"	1"	115/230	65

\* SLJ Models include ejector package.

A Jet Package should be ordered with every SL Series Pump.

**NOTE:** Pumps installed with a PRO-Source™ tank require a 100 PSI relief valve. Pumps installed with a conventional tank require a 75 PSI relief valve. Relief valve must be capable of relieving flow of pump at relief pressure.

BERKELEY® is a registered trademark of Pentair Water. Noryl® is a registered trademark of General Electric Co. PRO-Source™ is a registered trademark of Pentair Water.

In order to provide the best products possible, specifications are subject to change.

## PROJET™ SL/SLJ\* SERIES

### FEATURES

- Quality Construction** – Close grained cast iron pump body, is rugged one piece unit, specially treated to resist corrosion. Drain port provided for easy winterizing.
- Noryl® Impeller** – Precision molded for perfect balance... ultra smooth for highest performance and efficiency.
- Precision Molded Diffuser** – Pump primes faster, handles more air, with multi port, precision molded, reinforced polypropylene diffuser.
- Pressure Switch** – High quality, cut in pressure setting are adjustable. Fixed 20 PSI differential.
- Mechanical Shaft Seal** – Precision lapped and highly polished carbon ceramic, stainless steel construction. Internal design guarantees continuous water lubrication for maximum protection.
- Motor Windings** – Superior insulation materials protect against excessive moisture and contaminants... assures prolonged motor life.
- Balanced Rotor** – Die cast under high pressures for uniform performance and greater efficiency... dynamically balanced.
- Heavy-duty Ball Bearings** – Shielded, permanently lubricated bearings, extensively tested to ensure extended life and smooth, quiet operation.
- Pump and Motor Shaft** – 416 stainless steel for maximum corrosion resistance; one piece threaded shaft for positive impeller drive and alignment.
- Dustproof Cover** – Dustproof canopy protects all electrical components from dirt, dust and insects; ventilating air cannot contaminate vital switching components... eliminates the most common cause of motor failure.

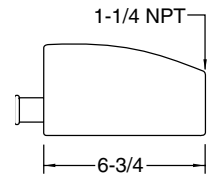
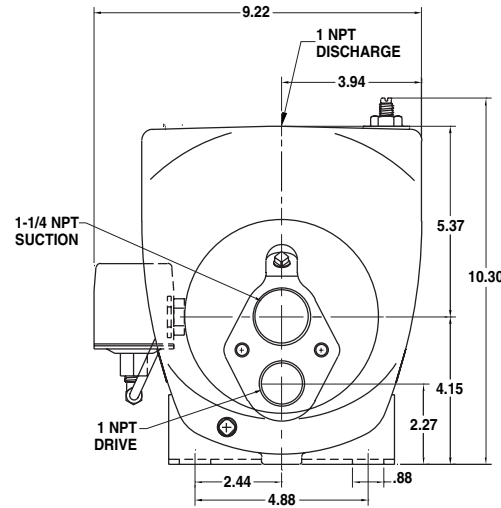
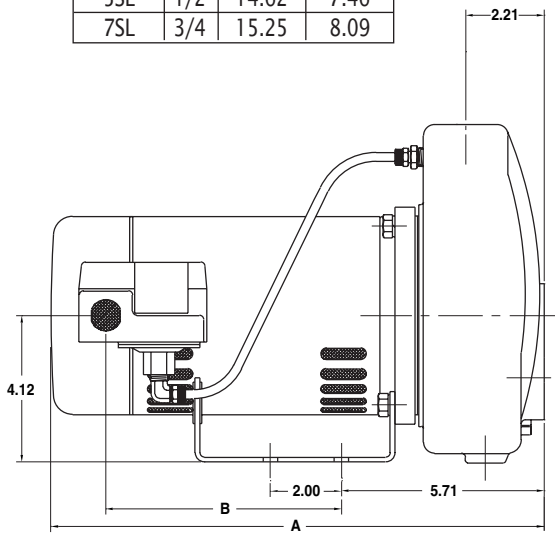


# self-priming cast iron convertible jet pumps

## OUTLINE DIMENSIONS

### 5SL and 7SL

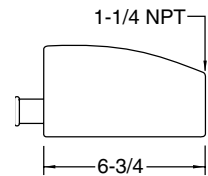
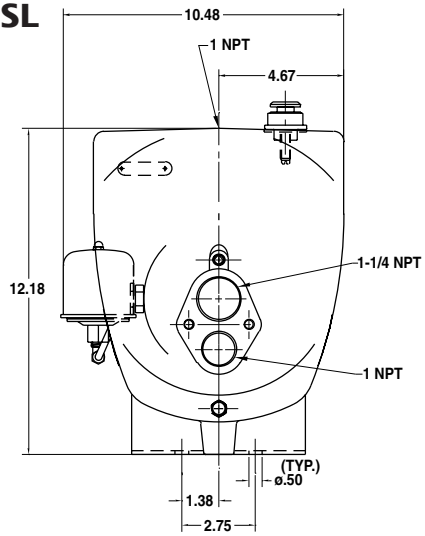
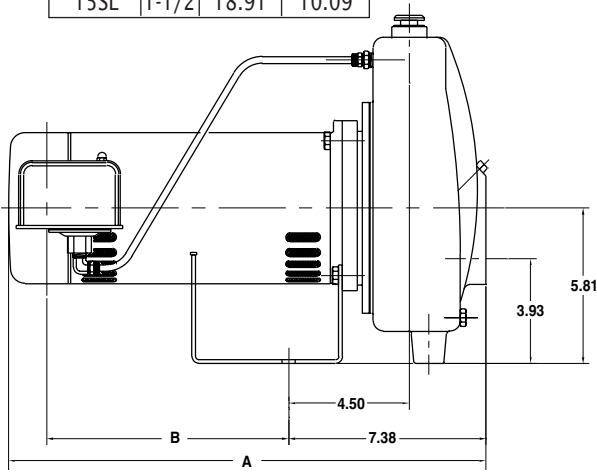
Catalog Number	HP	A Dim.	B Dim.
5SL	1/2	14.62	7.46
7SL	3/4	15.25	8.09



(Included with SLJ Models)

### 10SL and 15SL

Catalog Number	HP	A Dim.	B Dim.
10SL	1	16.79	9.03
15SL	1-1/2	18.91	10.09



(Included with SLJ Models)

Dimensions (in inches) are for estimating purposes only.



# self-priming cast iron convertible jet pumps

## PUMP PERFORMANCE (Capacity in Gallons Per Minute)

### SHALLOW WELL, 5' 10' 15' 20' 25' PUMPING DEPTHS

Cat. No.	HP	Disch. Press.	Pumping Depth to Water in Feet																											
			5 ft. lift				10 ft. lift				15 ft. lift				20 ft. lift				25 ft. lift											
SSL	1/2	Jet Package	10SD	29SD	CK3			10SD	29SD	CK3			10SD	29SD	CK3			10SD	29SD	CK3			10SD	29SD	CK3					
		Venturi N32P	67B	66B	78B			67B	66B	78B			67B	66B	78B			67B	66B	78B			67B	66B	78B					
		Nozzle J34P	44	41	41			44	41	41			44	41	41			44	41	41			44	41	41					
		20 PSI	12.0	9.1	5.9			9.7	8.4	5.4			12.0	7.3	4.7			9.7	6.2	4.0			6.7	4.7	3.1					
		30 PSI	10.8	9.0	5.8			9.5	8.3	5.3			10.8	7.2	4.6			9.5	6.1	3.9			6.7	4.7	3.0					
		40 PSI	5.2	7.9	5.6			4.2	7.2	5.2			5.2	6.3	4.5			4.2	5.4	3.8			2.5	4.1	2.9					
		50 PSI		4.1	4.5				3.8	4.1				3.3	3.6				2.8	3.1				2.1	2.3					
		60 PSI			2.4					2.2					1.9					1.6										
		Shut Off-PSI	53	61	70			51	58	66			49	56	64			47	54	61			45	52	58					
7SL	3/4	Jet Package	11SD	10SD	29SD	CK5			11SD	10SD	29SD	CK5			11SD	10SD	29SD	CK5			11SD	10SD	29SD	CK5						
		Venturi N32P	68B	67B	66B	66B			68B	67B	66B	66B			68B	67B	66B	66B			68B	67B	66B	66B						
		Nozzle J43P	44	44	41	45			44	44	41	45			44	44	41	45			44	44	41	45						
		20 PSI	20.6	14.4	10.1	6.6			19.0	13.2	9.3	6.1			16.5	11.5	8.1	5.3			13.3	9.5	6.9	4.5						
		30 PSI	19.6	14.3	9.9	6.5			18.1	13.1	9.1	6.0			15.7	11.4	7.9	5.2			13.3	9.5	6.7	4.4						
		40 PSI	10.3	12.1	9.8	6.4			9.4	11.2	9.0	5.9			8.2	9.7	7.8	5.1			6.4	8.3	6.6	4.3						
		50 PSI		4.6	7.3	6.3				4.3	6.7	5.8				3.7	5.8	5.0				2.6	4.9	4.3						
		60 PSI			3.5	5.8					3.2	5.3					2.8	4.6					2.4	3.9						
		Shut Off-PSI	55	59	70	72			53	57	66	67			50	55	64	65			48	53	61	63						
10SL	1	Jet Package	12SD	11SD	CK1	CK5	CK1			12SD	11SD	CK1	CK5	CK1			12SD	11SD	CK1	CK5	CK1			12SD	11SD	CK1	CK5	CK1		
		Venturi N32P	65	68B	72E	67B	72			65	68B	72E	67B	72			65	68B	72E	67B	72			65	68B	72E	67B	72		
		Nozzle J34P	44	44	43	45	43			44	44	43	45	43			44	44	43	45	43			44	44	43	45	43		
		20 PSI	24.2	20.3	14.5	12.6	8.6			23.2	19.4	13.9	12.1	8.3			20.2	16.9	12.1	10.5	7.2			17.7	13.6	10.3	8.2	6.1		
		30 PSI	24.0	20.3	14.4	12.4	8.5			23.0	19.4	13.8	11.8	8.2			20.0	16.9	12.0	10.3	7.1			17.7	13.6	10.2	8.0	6.0		
		40 PSI	16.7	16.4	13.7	12.2	8.3			16.0	15.8	13.1	11.7	7.9			13.9	13.7	11.4	10.2	6.9			11.8	11.5	9.7	7.8	5.9		
		50 PSI			12.6	12.0	8.2					12.1	11.5	7.8					10.5	10.0	6.8					8.9	7.7	5.8		
		60 PSI			6.0	8.2	6.1					5.8	7.8	5.9					5.0	6.8	5.1					4.3	5.8	4.3		
		70 PSI				4.2	2.9						4.0	2.8						3.5	2.4						2.8	2.0		
		Shut Off-PSI	61	62	71	80	82			59	60	69	78	79			57	58	67	76	77			54	55	65	74	75		
15SL	1 1/2	Jet Package	12SD	CK2	60SD			12SD	CK2	60SD			12SD	CK2	60SD			12SD	CK2	60SD			12SD	CK2	60SD					
		Venturi N32P	65	64	64			65	64	64			65	64	64			65	64	64			65	64	64					
		Nozzle J34P	44	44	45			44	44	45			44	44	45			44	44	45			44	44	45					
		20 PSI	26.8	21.6	18.4			24.6	19.9	16.9			21.4	17.3	14.7			18.2	14.7	12.5			13.9	11.2	9.6					
		30 PSI	26.5	21.5	18.1			24.4	19.8	16.7			21.2	17.2	14.5			18.0	14.6	12.3			13.8	11.2	9.4					
		40 PSI	22.9	21.3	17.5			21.0	19.6	16.1			18.3	17.0	14.0			15.6	14.5	11.9			11.9	11.1	9.1					
		50 PSI	15.1	16.8	17.3			13.9	15.4	15.9			12.1	13.4	13.8			10.3	11.4	11.7			7.9	8.7	9.0					
		60 PSI		4.0	15.6				3.7	14.4				3.2	12.5				2.7	10.6				2.1	8.1					
70 PSI			4.1					3.8					3.3					2.8												
		Shut Off-PSI	61	71	77			59	69	75			57	67	73			55	65	71			53	63	68					

Pumps are supplied with 30 - 50 pressure switch setting. Cut-in pressure settings are adjustable.

## PUMP PERFORMANCE - SLJ MODELS\*

Catalog Number	Ejector Package (Included)	Shallow Well		Deep Well	
		Nozzle	Venturi	Nozzle	Venturi
5SLJ	J198 26	J34P 41	N32P 66B	J34P 42	J32P 18
7SLJ	J198 27	J34P 41	N32P 66B	J34P 43	J32P 18
10SLJ	J198 28	J34P 43	N32P 72E	J34P 44	J32P 22
15SLJ	J198 29	J34P 44	N32P 64	J34P 44	J32P 22

\*SLJ Models use venturis and nozzles as shown. Specific performances are shown in the SL Models charts.



# self-priming cast iron convertible jet pumps

## PUMP PERFORMANCE (Capacity in Gallons Per Minute)

### DEEP WELL (40 PSI) 4" DOUBLE PIPE

Cat. No.	HP	Jet. No.	Uses Venturi	Uses Nozzle	Pumping Depth in Feet												Max. Pump Shut Off Press. PSI	
					20'	30'	40'	50'	60'	70'	80'	90'	100'	110'	120'	Jet at 20 ft. Depth	Jet at Max. Depth	
5SL	1/2	4SD	J32P-24	J34P-41	5.9	4.5	3.4	2.3									68	54
		CK3	N32P-78B	J34P-41	4.9	3.9	2.9										71	61
		15SD	J32P-18	J34P-42	4.6	3.9	3.3	2.8	2.3	1.7							84	59
7SL	3/4	CK3	J32P-26	J34P-41	9.4	8.0	6.6										77	68
		54SD	J32P-22	J34P-44	8.0	6.9	5.7	4.8	3.8	3.2							94	70
		CK5	N32P-66B	J34P-45	7.3	6.2	5.0	4.0									83	69
		55SD	J32P-18	J34P-43	5.0	4.3	3.7	3.2	2.6	2.2	1.8	1.5					96	63
10SL	1	CK1	N32P-72	J34P-43	13.2	10.8	8.4	6.3	4.2								74	56
		CK2	J32P-24	J34P-44	13.0	11.5	9.9	8.7	7.5	6.6	5.4						105	80
		54SD	J32P-22	J34P-44	8.5	7.7	6.7	6.3	5.8	5.4	4.8	4.0	3.7	3.4	2.7		122	73
15SL	1-1/2	54SD	J32P-22	J34P-44	9.5	8.5	7.4	6.9	6.5	6.0	5.4	4.8	4.2	3.6	2.9		127	76

Tank body on 15SL pump tapped 1-1/4" x 1". On 15SL pump drop pipe should be increased to 1-1/2" x 1-1/4" to ensure adequate capacity from pump.

## PUMP PERFORMANCE (Capacity in Gallons Per Minute)

### DEEP WELL (40 PSI) 2" SINGLE PIPE

Cat. No.	HP	Jet. No.	Uses Venturi	Uses Nozzle	Pumping Depth in Feet												Max. Pump Shut Off Press. PSI	
					20'	30'	40'	50'	60'	70'	80'	90'	100'	110'	120'	Jet at 20 ft. Depth	Jet at Max. Depth	
5SL	1/2	8AP	J32P-18	J34P-42	4.7	4.1	3.4	2.5	1.9	1.5							84	58
7SL	3/4	54AP	J32P-22	J34P-44	7.4	6.3	5.2	3.9	2.5	2.0							82	54
10SL	1	10AP	J32P-24	J34P-44	10.5	10.0	8.1	6.2									96	79
		54AP	J32P-22	J34P-44	6.0	5.3	4.8	4.2	4.1	3.7	3.5	2.8	2.1	1.6			95	53
15SL	1-1/2	9AP	J32P-29	J34P-44	11.7	11.1	9.8	6.8									69	57
		8AP	J32P-18	J34P-42	6.7	5.8	5.3	4.7	4.5	4.1	3.8	3.1	2.6	2.0	1.6		129	72

### DEEP WELL (40 PSI) 3" SINGLE PIPE

5SL	1/2	19CP	J32P-24	J34P-41	5.9	4.5	3.4	2.3									68	54
		16CP	J32P-18	J34P-42	4.6	3.9	3.3	2.8	2.3	1.7							84	59
		9CP	J32P-26	J34P-41	9.4	8.0	6.6										77	68
7SL	3/4	54CP	J32P-22	J34P-44	8.0	6.9	5.7	4.8	3.8	3.2							94	70
10SL	1	18CP	J32P-24	J34P-44	13.0	11.5	9.9	8.7	7.5	6.6	5.4						106	80
		54CP	J32P-22	J34P-44	8.5	7.7	6.7	6.3	5.8	5.4	4.8	4.0	3.7	3.4	2.7		122	73
		57CP	J32P-33	P122-10B	18.0	15.4	12.8	10.8									81	68
15SL	1-1/2	54CP	J32P-22	J34P-44	9.5	8.5	7.4	6.9	6.5	6.0	5.4	4.8	4.2	3.6	2.9		127	76

Tank body on 15SL pump tapped 1-1/4" x 1". Drop pipe should be increased to 1-1/2" x 1-1/4" to ensure adequate capacity from pump. Tested and rated in accordance with Water Systems Council Standards.

**NOTE:** Pumps installed with a PRO-Source™ tank require a 100 PSI relief valve. Pumps installed with a conventional tank require a 75 PSI relief valve. Relief valve must be capable of relieving entire flow of pump at relief pressure.

