



self-priming cast iron convertible jet pumps



Pressure Gauge (included)



The ProJet™ HL convertible jet pumps offer a proven cast iron self-priming design available in 1/2 - 1 HP models. The ProJet™ HL convertible jets utilize built-in regulators offering easier priming and better range of performance from a complete line of shallow well, 4" double pipe, 2" and 3" single pipe jet packages.

APPLICATIONS

- Water systems and sprinkling... for homes, farms and cottages.

SPECIFICATIONS

- Body and Seal Plate** – Close grained cast iron
- Impeller** – High strength Noryl®
- Diffuser** – Reinforced polypropylene with brass wear ring
- Shaft** – One piece threaded 416 stainless steel
- Base** – Steel, 12 gauge
- Max. Liquid Temperature** – 140°F
- Max. Inlet Pressure** – 50 PSI
- Pressure Switch Pre-Set** – 30 50 PSI
- Suction Ports** – “Suction over Drive”
- Pressure Gauge** – 0 100 PSI

ORDERING INFORMATION

Catalog Number	HP	Description	Pipe Tapping Sizes			Motor Voltage	Approx. Wt. Lbs.
			Suct.	Drive	Disch.		
5HL	1/2	Deep Well Jet	1-1/4"	1"	1"	115/230	42
7HL	3/4	Deep Well Jet	1-1/4"	1"	1"	115/230	60
10HL	1	Deep Well Jet	1-1/4"	1"	1"	115/230	65

A Jet Package should be ordered with every Series HL Pump.

NOTE: Pumps installed with a PRO-Source™ tank require a 100 PSI relief valve. Pumps installed with a conventional tank require a 75 PSI relief valve. Relief valve must be capable of relieving flow of pump at relief pressure.

Noryl® is registered trademark of General Electric Co. ProJet™ and PRO-Source™ are trademarks of Pentair Water.

In order to provide the best products possible, specifications are subject to change.

PROJET™ HL SERIES

FEATURES

- Quality Construction** – Close grained cast iron pump body, is rugged one piece unit, specially treated to resist corrosion. Drain port provided for easy winterizing.
- Noryl® Impeller** – Precision molded for perfect balance... ultra smooth for highest performance and efficiency.
- Precision Molded Diffuser** – Pump primes faster, handles more air, with multi port, precision molded, reinforced polypropylene diffuser.
- Pressure Switch** – High quality, cut in and differential pressure setting are adjustable.
- Mechanical Shaft Seal** – Precision lapped and highly polished carbon ceramic, stainless steel construction. Internal design guarantees continuous water lubrication for maximum protection.
- Motor Windings** – Superior insulation materials protect against excessive moisture and contaminants... assures prolonged motor life.
- Balanced Rotor** – Die cast under high pressures for uniform performance and greater efficiency... dynamically balanced.
- Heavy-duty Ball Bearings** – Shielded, permanently lubricated bearings, extensively tested to ensure extended life and smooth, quiet operation.
- Pump and Motor Shaft** – 416 stainless steel for maximum corrosion resistance; one piece threaded shaft for positive impeller drive and alignment.

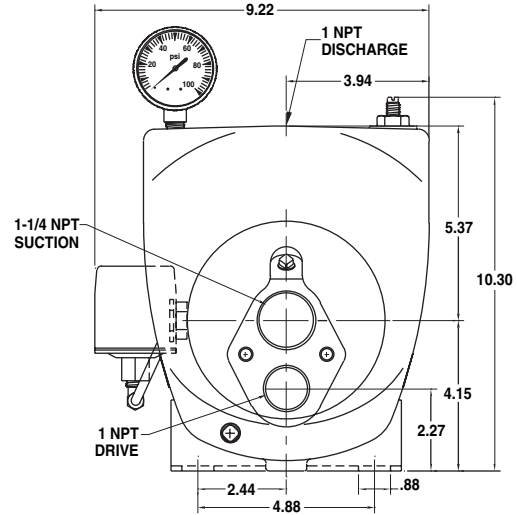
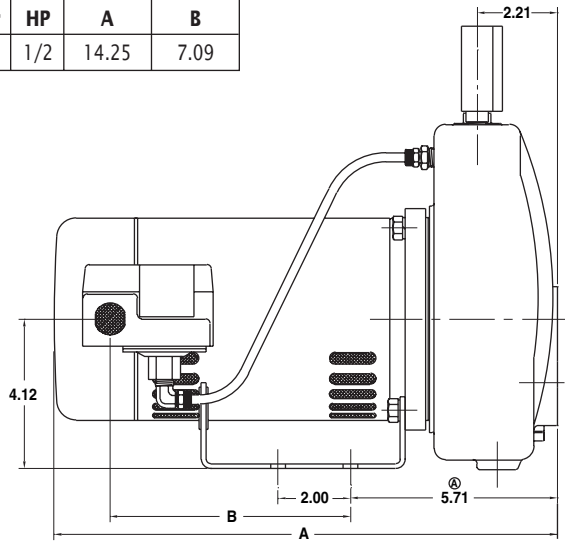


self-priming cast iron convertible jet pumps

OUTLINE DIMENSIONS

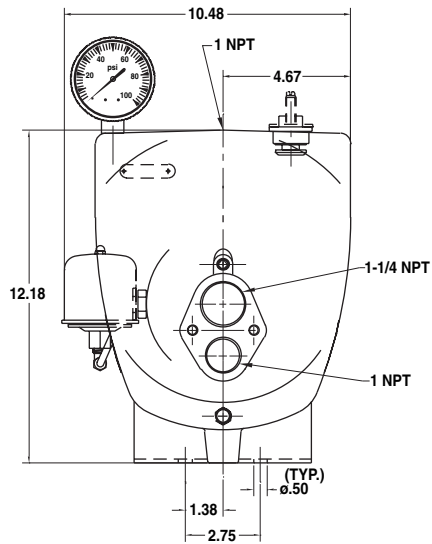
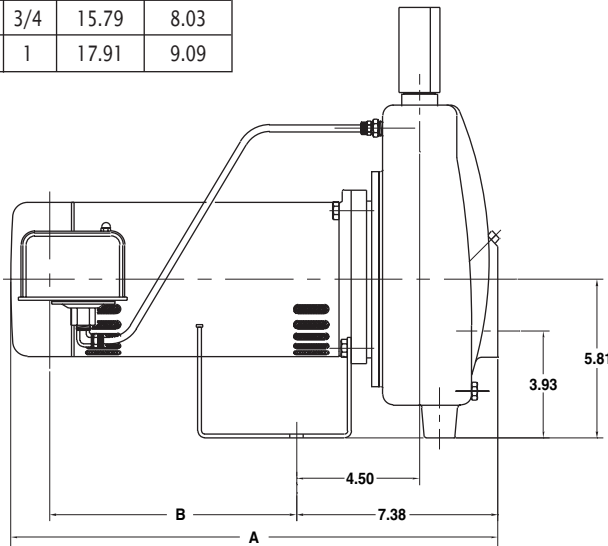
5HL

Catalog Number	HP	A	B
5HL	1/2	14.25	7.09



7HL and 10HL

Catalog Number	HP	A	B
7HL	3/4	15.79	8.03
10HL	1	17.91	9.09



Dimensions (in inches) are for estimating purposes only.

NOTE: 1/4 NPT, 0-100 PSI pressure gauge supplied uninstalled to prevent shipping damage.



self-priming cast iron convertible jet pumps

PUMP PERFORMANCE (Capacity in Gallons Per Minute)

SHALLOW WELL, 5' 10' 15' 20' 25' PUMPING DEPTHS

Cat. No.	HP	Disch. Press.	Pumping Depth to Water in Feet																								
			5 Ft. lift				10 ft. lift				15 ft. lift				20 ft. lift				25 ft. lift								
5HL	1/2	Jet Package	11SD	10SD	29SD	CK5		11SD	10SD	29SD	CK5		11SD	10SD	29SD	CK5		11SD	10SD	29SD	CK5		11SD	10SD	29SD	CK5	
		Venturi N32P	68B	67B	66B	66B		68B	67B	66B	66B		68B	67B	66B	66B		68B	67B	66B	66B		68B	67B	66B	66B	
		Nozzle J43P	44	44	41	45		44	44	41	45		44	44	41	45		44	44	41	45		44	44	41	45	
		20 PSI	20.6	14.4	10.1	6.6		19.0	13.2	9.3	6.1		16.5	11.5	8.1	5.3		13.3	9.5	6.9	4.5		9.8	6.9	5.3	3.4	
		30 PSI	19.6	14.3	9.9	6.5		18.1	13.1	9.1	6.0		15.7	11.4	7.9	5.2		13.3	9.5	6.7	4.4		9.8	6.9	5.1	3.4	
		40 PSI	10.3	12.1	9.8	6.4		9.4	11.2	9.0	5.9		8.2	9.7	7.8	5.1		6.4	8.3	6.6	4.3		3.1	6.3	5.1	3.3	
		50 PSI		4.6	7.3	6.3			4.3	6.7	5.8			3.7	5.8	5.0			2.6	4.9	4.3			1.0	3.8	3.3	
		60 PSI			3.5	5.8				3.2	5.3				2.8	4.6				2.4	3.9					3.0	
		Shut Off-PSI			55	59	70	72		53	57	66	67		50	55	64	65		48	53	61	63		46	51	59
7HL	3/4	Jet Package	12SD	11SD	CK1	CK5	CK1	12SD	11SD	CK1	CK5	CK1	12SD	11SD	CK1	CK5	CK1	12SD	11SD	CK1	CK5	CK1	12SD	11SD	CK1	CK5	CK1
		Venturi N32P	65	68B	72E	67B	72	65	68B	72E	67B	72	65	68B	72E	67B	72	65	68B	72E	67B	72	65	68B	72E	67B	72
		Nozzle J34P	44	44	43	45	43	44	44	43	45	43	44	44	43	45	43	44	44	43	45	43	44	44	43	45	43
		20 PSI	24.2	20.3	14.5	12.6	8.6	23.2	19.4	13.9	12.1	8.3	20.2	16.9	12.1	10.5	7.2	17.7	13.6	10.3	8.2	6.1	12.5	10.4	7.9	6.2	4.7
		30 PSI	24.0	20.3	14.4	12.4	8.5	23.0	19.4	13.8	11.8	8.2	20.0	16.9	12.0	10.3	7.1	17.7	13.6	10.2	8.0	6.0	12.5	10.4	7.8	6.0	4.6
		40 PSI	16.7	16.4	13.7	12.2	8.3	16.0	15.8	13.1	11.7	7.9	13.9	13.7	11.4	10.2	6.9	16.0	11.5	9.7	7.8	5.9	10.3	8.3	7.4	5.8	4.5
		50 PSI			12.6	12.0	8.2			12.1	11.5	7.8			10.5	10.0	6.8			8.9	7.7	5.8			6.8	5.7	4.4
		60 PSI			6.0	8.2	6.1			5.8	7.8	5.9			5.0	6.8	5.1			4.3	5.8	4.3			3.3	4.8	3.3
		70 PSI				4.2	2.9				4.0	2.8				3.5	2.4				2.8	2.0				2.0	1.6
Shut Off-PSI			61	62	71	80	82	59	60	69	78	79	57	58	67	76	77	54	55	65	74	75	52	53	63	72	73
10HL	1	Jet Package	12SD	CK2	60SD			12SD	CK2	60SD			12SD	CK2	60SD			12SD	CK2	60SD			12SD	CK2	60SD		
		Venturi N32P	65	64	64			65	64	64			65	64	64			65	64	64			65	64	64		
		Nozzle J34P	44	44	45			44	44	45			44	44	45			44	44	45			44	44	45		
		20 PSI	26.8	21.6	18.4			24.6	19.9	16.9			21.4	17.3	14.7			18.2	14.7	12.5			13.9	11.2	9.6		
		30 PSI	26.5	21.5	18.1			24.4	19.8	16.7			21.2	17.2	14.5			18.0	14.6	12.3			13.8	11.2	9.4		
		40 PSI	22.9	21.3	17.5			21.0	19.6	16.1			18.3	17.0	14.0			15.6	14.5	11.9			11.9	11.1	9.1		
		50 PSI	15.1	16.8	17.3			13.9	15.4	15.9			12.1	13.4	13.8			10.3	11.4	11.7			7.9	8.7	9.0		
		60 PSI		4.0	15.6				3.7	14.4				3.2	12.5				2.7	10.6				2.1	8.1		
		70 PSI			4.1					3.8					3.3					2.8							
Shut Off-PSI			61	71	77			59	69	75			57	67	73			55	65	71			53	63	68		

NOTE: Pumps are supplied with 30 - 50 pressure switch setting. Cut-in / Cut-out pressure settings are adjustable.



self-priming cast iron convertible jet pumps

PUMP PERFORMANCE (Capacity in Gallons Per Minute)

DEEP WELL (40 PSI) 4" DOUBLE PIPE

Cat. No.	HP	Jet. No.	Uses Venturi	Uses Nozzle	Pumping Depth in Feet											Max. Pump Shut Off Press. PSI		
					20'	30'	40'	50'	60'	70'	80'	90'	100'	110'	120'	Jet at 20 ft. Depth	Jet at Max. Depth	
5HL	1/2	CK3	J32P-26	J34P-41	9.4	8.0	6.6										77	68
		54SD	J32P-22	J34P-44	8.0	6.9	5.7	4.8	3.8	3.2							94	70
		CK5	N32P-66B	J34P-45	7.3	6.2	5.0	4.0									83	69
		55SD	J32P-18	J34P-43	5.0	4.3	3.7	3.2	2.6	2.2	1.8	1.5					96	63
7HL	3/4	CK1	N32P-72	J34P-43	13.2	10.8	8.4	6.3	4.2								74	56
		CK2	J32P-24	J34P-44	13.0	11.5	9.9	8.7	7.5	6.6	5.4						105	80
		54SD	J32P-22	J34P-44	8.5	7.7	6.7	6.3	5.8	5.4	4.8	4.0	3.7	3.4	2.7		122	73
10HL	1	54SD	J32P-22	J34P-44	9.5	8.5	7.4	6.9	6.5	6.0	5.4	4.8	4.2	3.6	2.9		127	76

NOTE: Tank body on 10HL pump tapped 1-1/4" x 1". On 10HL pump drop pipe should be increased to 1-1/2" x 1-1/4" to ensure adequate capacity from pump.

PUMP PERFORMANCE (Capacity in Gallons Per Minute)

DEEP WELL (40 PSI) 2" SINGLE PIPE

Cat. No.	HP	Jet. No.	Uses Venturi	Uses Nozzle	Pumping Depth in Feet											Max. Pump Shut Off Press. PSI		
					20'	30'	40'	50'	60'	70'	80'	90'	100'	110'	120'	Jet at 20 ft. Depth	Jet at Max. Depth	
5HL	1/2	54AP	J32P-22	J34P-44	7.4	6.3	5.2	3.9	2.5	2.0							82	54
7HL	3/4	10AP	J32P-24	J34P-44	10.5	10.0	8.1	6.2									96	79
		54AP	J32P-22	J34P-44	6.0	5.3	4.8	4.2	4.1	3.7	3.5	2.8	2.1	1.6			95	53
10HL	1	9AP	J32P-29	J34P-44	11.7	11.1	9.8	6.8									69	57
		8AP	J32P-18	J34P-42	6.7	5.8	5.3	4.7	4.5	4.1	3.8	3.1	2.6	2.0	1.6		129	72

DEEP WELL (40 PSI) 3" SINGLE PIPE

5HL	1/2	9CP	J32P-26	J34P-41	9.4	8.0	6.6										77	68
		54CP	J32P-22	J34P-44	8.0	6.9	5.7	4.8	3.8	3.2								94
7HL	3/4	18CP	J32P-24	J34P-44	13.0	11.5	9.9	8.7	7.5	6.6	5.4						106	80
		54CP	J32P-22	J34P-44	8.5	7.7	6.7	6.3	5.8	5.4	4.8	4.0	3.7	3.4	2.7		122	73
		57CP	J32P-33	P122-10B	18.0	15.4	12.8	10.8									81	68
		54CP	J32P-22	J34P-44	9.5	8.5	7.4	6.9	6.5	6.0	5.4	4.8	4.2	3.6	2.9		127	76

Tank body on 10HL pump tapped 1-1/4" x 1". Drop pipe should be increased to 1-1/2" x 1-1/4" to ensure adequate capacity from pump. Tested and rated in accordance with Water Systems Council Standards.

NOTE: Pumps installed with a PRO-Source™ tank require a 100 PSI relief valve. Pumps installed with a conventional tank require a 75 PSI relief valve. Relief valve must be capable of relieving entire flow of pump at relief pressure.