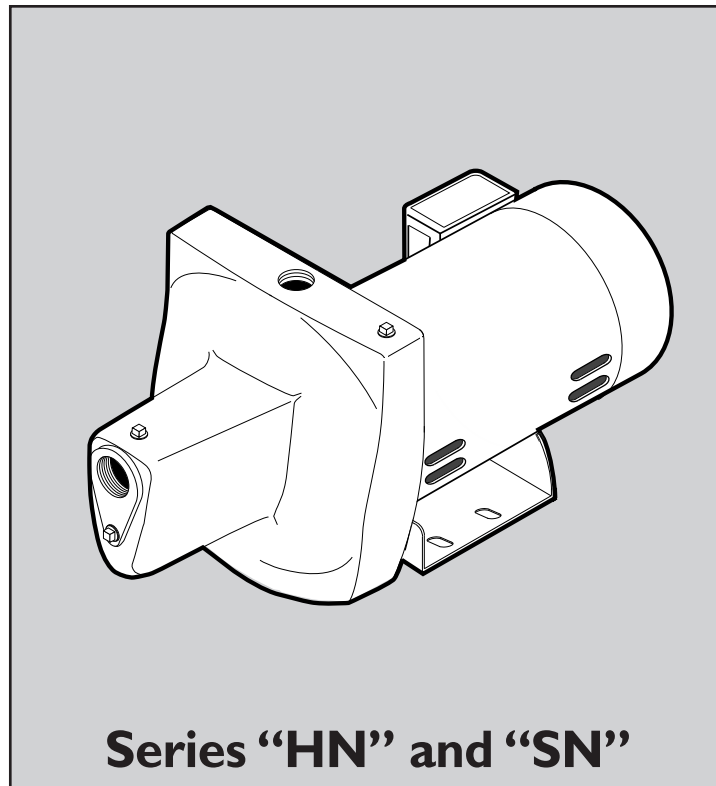




293 Wright Street • Delavan, WI 53115

OWNER'S MANUAL
**Shallow Well Jet Pumps/
Tank Systems**



Installation/Operation/Parts

For further operating, installation, or maintenance assistance:

Call 1-800-363-PUMP (7867)

READ AND FOLLOW SAFETY INSTRUCTIONS!

⚠ This is the safety alert symbol. When you see this symbol on your pump or in this manual, look for one of the following signal words and be alert to the potential for personal injury:

⚠ DANGER warns about hazards that **will** cause serious personal injury, death or major property damage if ignored.

⚠ WARNING warns about hazards that **can** cause serious personal injury, death or major property damage if ignored.

⚠ CAUTION warns about hazards that **will** or **can** cause minor personal injury or property damage if ignored.

The label **NOTICE** indicates special instructions which are important but not related to hazards.

Carefully read and follow all safety instructions in this manual and on pump.

Keep safety labels in good condition.
Replace missing or damaged safety labels.

ELECTRICAL SAFETY

⚠ WARNING Capacitor voltage may be hazardous. To discharge motor capacitor, hold insulated handle screwdriver **BY THE HANDLE** and short capacitor terminals together. Do not touch metal screwdriver blade or capacitor terminals. If in doubt, consult a qualified electrician.

GENERAL SAFETY

⚠ CAUTION Do not touch an operating motor. Modern motors can operate at high temperatures. To avoid burns when servicing pump, allow it to cool for 20 minutes after shut-down before handling.

Do not allow pump or any system component to freeze. To do so will void warranty.

Pump water only with this pump.

Periodically inspect pump and system components.


Wear safety glasses at all times when working on pumps.

Keep work area clean, uncluttered and properly lighted; store properly all unused tools and equipment.

Keep visitors at a safe distance from the work areas.

⚠ WARNING Pump body may explode if used as a booster pump unless relief valve capable of passing full pump flow at 75 psi is installed.

⚠ WARNING




Hazardous voltage. Can shock, burn, or cause death.

Ground pump before connecting to power supply. Disconnect power before working on pump, motor or tank.

- ⚠** Wire motor for correct voltage. See “Electrical” section of this manual and motor nameplate.
- ⚠** Ground motor before connecting to power supply.
- ⚠** Meet National Electrical Code, Canadian Electrical Code, and local codes for all wiring.
- ⚠** Follow wiring instructions in this manual when connecting motor to power lines.

⚠ WARNING



Hazardous pressure! Install pressure relief valve in discharge pipe.

Release all pressure on system before working on any component.

Thank you for purchasing a top quality, factory tested pump.

	Page
General Safety	2
Warranty	3
Installation	4,5
Connecting Discharge Piping.....	6
Electrical	7,8
Preparing To Start The Pump.....	9
Repair Parts	10-11
Troubleshooting.....	12

LIMITED WARRANTY

BERKELEY warrants to the original consumer purchaser (“Purchaser” or “You”) of the products listed below, that they will be free from defects in material and workmanship for the Warranty Period shown below.

Product	Warranty Period
Water Systems Products — jet pumps, small centrifugal pumps, submersible pumps and related accessories	<i>whichever occurs first:</i> 12 months from date of original installation, or 18 months from date of manufacture
Pro-Source™ Composite Tanks	5 years from date of original installation
Pro-Source™ Steel Pressure Tanks	5 years from date of original installation
Pro-Source™ Epoxy-Lined Tanks	3 years from date of original installation
Sump/Sewage/Effluent Products	12 months from date of original installation, or 18 months from date of manufacture

Our warranty will not apply to any product that, in our sole judgement, has been subject to negligence, misapplication, improper installation, or improper maintenance. Without limiting the foregoing, operating a three phase motor with single phase power through a phase converter will void the warranty. Note also that three phase motors must be protected by three-leg, ambient compensated, extra-quick trip overload relays of the recommended size or the warranty is void.

Your only remedy, and BERKELEY’s only duty, is that BERKELEY repair or replace defective products (at BERKELEY’s choice). You must pay all labor and shipping charges associated with this warranty and must request warranty service through the installing dealer as soon as a problem is discovered. No request for service will be accepted if received after the Warranty Period has expired. This warranty is not transferable.

BERKELEY SHALL NOT BE LIABLE FOR ANY CONSEQUENTIAL, INCIDENTAL, OR CONTINGENT DAMAGES WHATSOEVER.

THE FOREGOING WARRANTIES ARE EXCLUSIVE AND IN LIEU OF ALL OTHER EXPRESS AND IMPLIED WARRANTIES, INCLUDING BUT NOT LIMITED TO THE IMPLIED WARRANTIES OF MERCHANTABILITY AND FITNESS FOR A PARTICULAR PURPOSE. THE FOREGOING WARRANTIES SHALL NOT EXTEND BEYOND THE DURATION EXPRESSLY PROVIDED HEREIN.

Some states do not allow the exclusion or limitation of incidental or consequential damages or limitations on the duration of an implied warranty, so the above limitations or exclusions may not apply to You. This warranty gives You specific legal rights and You may also have other rights which vary from state to state.

This warranty supersedes and replaces all previous warranty publications.

In the U.S.: BERKELEY, 293 Wright St., Delavan, WI 53115

In Canada: 269 Trillium Dr., Kitchener, Ontario N2G 4W5

REPLACING AN OLD PUMP

⚠ WARNING Hazardous voltage. Disconnect power to pump before working on pump or motor.

- Step 1. Drain and remove the old pump. Check the old pipe for scale, lime, rust, etc., and replace it if necessary.
- Step 2. Install the pump in the system. Make sure that all pipe joints in the suction pipe are air-tight as well as water tight. *If the suction pipe can suck air, the pump will not be able to pull water from the well.*
- Step 3. Adjust the pump mounting height so that the plumbing connections do not put a strain on the pump body. Support the pipe so that the pump body does not take the weight of piping or fittings.

You have just completed the well plumbing for your new shallow well jet pump. Please go to Page 6 for discharge pipe and tank connections.

WELL POINT (DRIVEN POINT) INSTALLATION (Figure 1)

- Step 1. Drive the well, using “drive couplings” and a “drive cap”. “Drive fittings” are threaded all the way through and allow the pipe ends to butt against each other so that the driving force of the maul is carried by the pipe and *not* by the threads. The ordinary fittings found in hardware stores are not threaded all the way through the fitting and can collapse under impact. “Drive fittings” are also smoother than standard plumbing fittings, making ground penetration easier.

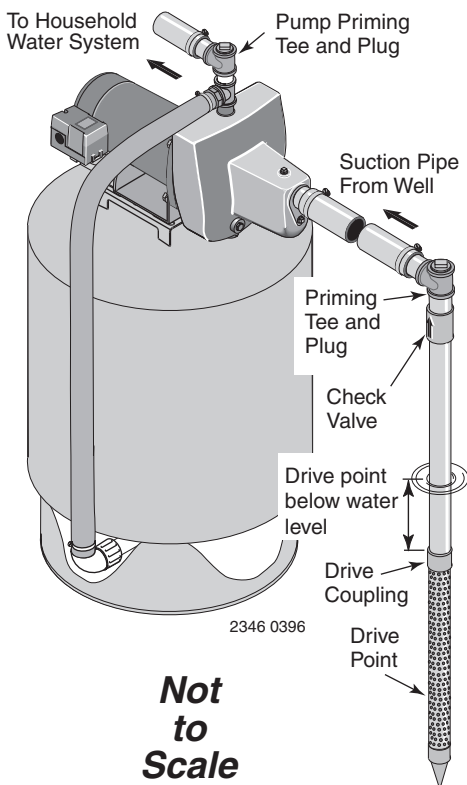


Figure 1: Driven Point Installation

- Step 2. Mount the pump as close to the well as possible.
- Step 3. Use the fewest possible fittings (especially elbows) when connecting the pipe from the well point to the pump suction port. The suction pipe should be at least as large as the suction port on the pump (include a check valve if your pump is not equipped with one – see Figure 1). Support the pipe so that there are no dips or sags in the pipe, so it doesn't strain the pump body, and so that it slopes slightly upward from the well to the pump (high spots can cause air pockets which can air lock the pump). Seal the suction pipe joints with teflon tape or a teflon based pipe joint compound. Joints must be air- and water-tight. *If the suction pipe can suck air, the pump cannot pull water from the well.* If one well point does not supply enough water, consider connecting two or three well points to one suction pipe.

You have just completed the suction piping for your new shallow well jet pump. Please go to Page 6 for discharge pipe and tank connections.

CASED WELL INSTALLATION, 2" OR LARGER CASING (Figure 2)

- Step 1. Mount the pump as close to the well as possible.
- Step 2. Assemble the foot valve, strainer, and well pipe (see Figure 2). Make sure that the foot valve works freely.

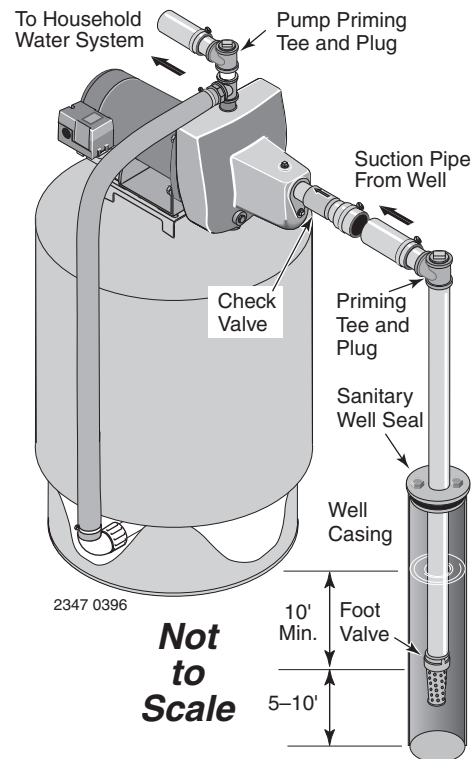


Figure 2: Cased Well Installation

- Step 3. Lower the pipe into the well until the strainer is five feet above the bottom of the well. It should also be at least 10 feet below the well's water level *while the pump is running* in order to prevent the pump from sucking air. Install a sanitary well seal.
- Step 4. Install a priming tee, priming plug, and suction pipe to the pump (see Figure 2). Connect the pipe from the well to the pump suction port, using the fewest possible fittings – especially elbows – as fittings increase friction in the pipe (however, include a foot valve – see Figure 2). The suction pipe should be at least as large as the suction port on the pump. Use teflon tape or a teflon-based pipe joint compound on threaded pipe joints. Support the pipe so that there are no dips or sags in the pipe, so it doesn't strain the pump body, and so that it slopes slightly upward from the well to the pump (high spots can cause air pockets which can air lock the pump). Seal the suction pipe joints with teflon tape or a teflon based pipe joint compound. Joints must be air- and water-tight. *If the suction pipe can suck air, the pump cannot pull water from the well.*

You have just completed the suction piping for your new shallow well jet pump. Please go to Page 6 for discharge pipe and tank connections.

INSTALLATION FOR SURFACE WATER (Figure 3)

- Step 1. The pump should be installed as close to the water as possible, with the fewest possible fittings

(especially elbows) in the suction pipe. The suction pipe should be at least as large as the suction port on the pump.

- Step 2. Assemble a foot valve and suction pipe (see Figure 3). Make sure that the foot valve works freely. Use teflon tape or a teflon-based pipe joint compound on threaded pipe joints. Protect the foot valve assembly from fish, trash, etc, by installing a screen around it (see Figure 3).
- Step 3. Lower the pipe into the water until the strainer is five feet above the bottom. It should also be at least 10 feet below the water level in order to prevent the pump from sucking air.
- Step 4. Install a priming tee, priming plug, and suction pipe to the pump (see Figure 3). Support the pipe so that there are no dips or sags in the pipe, so it doesn't strain the pump body, and so that it slopes slightly upward from the well to the pump (high spots can cause air pockets which can air lock the pump). Seal the suction pipe joints with teflon tape or a teflon based pipe joint compound. Joints must be air- and water-tight. *If the suction pipe can suck air, the pump cannot pull water from the well.*

You have just completed the plumbing for your new shallow well jet pump. Please go to Page 6 for discharge pipe and tank connections.

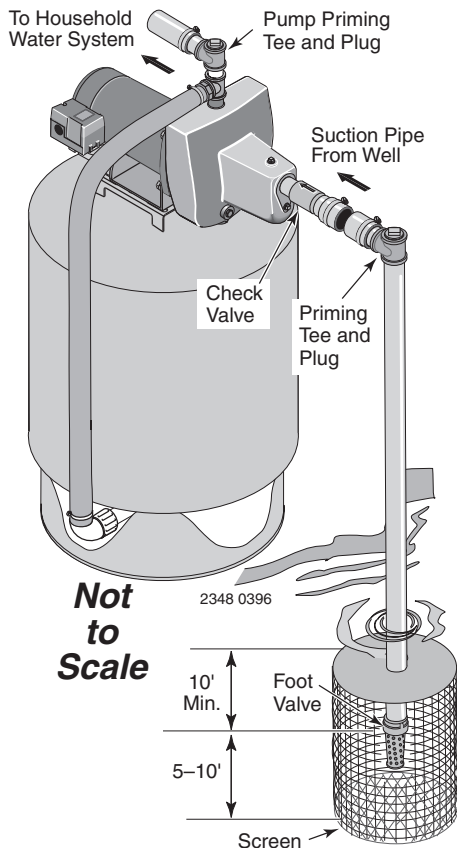


Figure 3: Surface Water Installation

PRE-CHARGE TANK CONNECTION (Figure 4)

Step 1. Install two tees in the pump discharge port (see Figure 4). The pipe size must be at least as large as the discharge port.

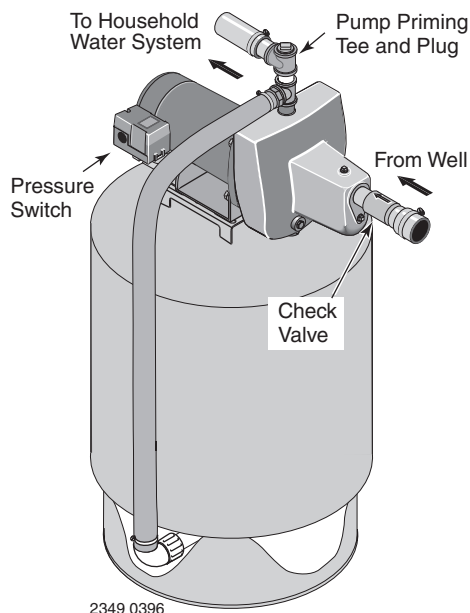


Figure 4: Pre-charged Tank Connections

- Step 2. Run a pipe or reinforced hose from one arm of the first tee to the port on the pre-charged tank.
- Step 3. Connect the other end of the discharge tee to your plumbing system.
- Step 4. Check the pre-charge of air in the tank with an ordinary tire gauge. The pre-charge should be 2 PSI less than the cut-in setting of the pump's pressure switch. The pre-charge is measured *when there is no water pressure in the tank*. Your new pump has a 30/50 PSI switch, so adjust the tank pre-charge pressure to 28 PSI.

Congratulations! You have just completed the tank connection for your jet pump.

Please go to Pages 7 and 8 for electrical hookup.

STANDARD TANK CONNECTION (Figure 5)

Step 1. Install one tee in the pump discharge port (see Figure 5).

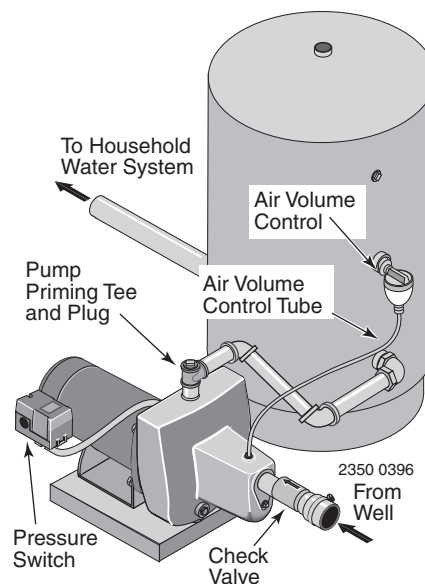


Figure 5: Standard Tank Connections

- Step 2. Run a pipe from the pump discharge port to the inlet port of your tank. The pipe size must be at least as large as the discharge port.
- Step 3. Remove the 1/8" NPT pipe plug from the pump Air Volume Control (AVC) port (see Figure 5). Run tubing from the pump's AVC port (see Figure 5) to the port on the AVC mounted on the tank. See instructions provided with tank and AVC for details. AVC port location will vary, depending on your pump model (see exploded views, Page 10).

Congratulations! You have just completed the tank connection for your jet pump.

Please go to Pages 7 and 8 for electrical hookup

Sealing Pipe Joints

Use only Teflon tape or Teflon based joint compounds for making all threaded connections to the pump itself. **Do not use pipe joint compounds on plastic pumps:** they can react with the plastic in pump components. Make sure that all pipe joints in the suction pipe are air tight as well as water tight. *If the suction pipe can suck air, the pump will not be able to pull water from the well.*

⚠ Disconnect power before working on pump, motor, pressure switch, or wiring.

MOTOR SWITCH SETTINGS

Dual-voltage motors (motors that can operate at either 115 or 230 volts), are set at the factory to 230 volts. Do not change motor voltage setting if line voltage is 230 volts, or if you have a single voltage motor.

NOTE: Never wire a 115 volt motor to a 230 volt line.

Remove Motor End Cover

If you have a dual-voltage motor, and will connect it to 115 volts, follow the procedure below.

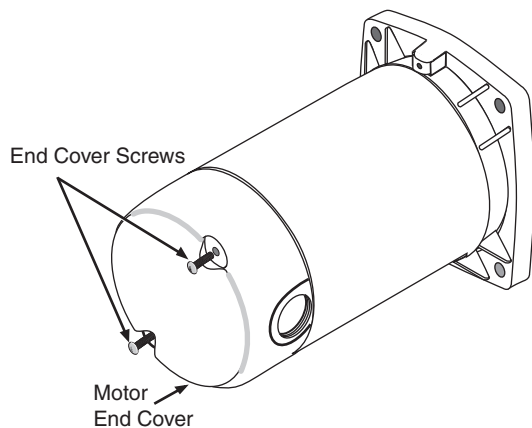


Figure 6: Removing Motor End Cover

You will need to remove the motor end cover to change the voltage setting.

Your motor terminal board (located under the motor end cover) should look like that shown below.

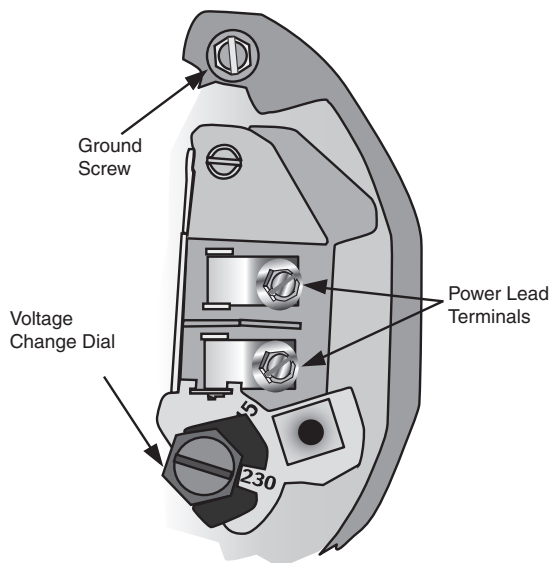


Figure 7: Voltage set to 230 volts, Dial Type

To change to 115 volts:

Step 1. Make sure power is off.

Step 2. Turn the dial counter-clockwise until 115 shows in the dial window.

Step 3. The wires from the pressure switch should already be attached to to power lead terminals.

Step 4. Reinstall the Motor end cover.

Pressure Switch Wiring

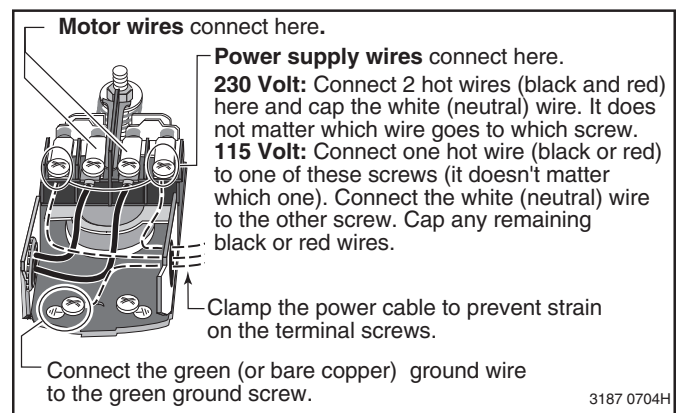


Figure 8: Pressure Switch Wiring

Step 5. Go to Wiring Connections below.

⚠ WARNING Hazardous voltage. Can shock, burn, or kill. Connect ground wire before connecting power supply wires. Use the wire size (including the ground wire) specified in the wiring chart. If possible, connect the pump to a separate branch circuit with no other appliances on it.

⚠ WARNING Explosion hazard. Do not ground to a gas supply line.

WIRING CONNECTIONS

▲ WARNING **Fire hazard.** Incorrect voltage can cause a fire or seriously damage the motor and voids the warranty. The supply voltage must be within ±10% of the motor nameplate voltage.

NOTICE: Dual-voltage motors are factory wired for 230 volts. If necessary, reconnect the motor for 115 volts, as shown. Do not alter the wiring in single voltage motors.

Install, ground, wire, and maintain your pump in compliance with the United States National Electrical Code (NEC) or the Canadian Electrical Code (CEC), as applicable, and with all local codes and ordinances that apply. Consult your local building inspector for code information.

Connection Procedure:

Step 1. Connect the ground wire first as shown in Figure 6. The ground wire must be a solid copper wire at least as large as the power supply wires.

Step 2. There must be a solid metal connection between the pressure switch and the motor for motor grounding protection. If the pressure switch is not connected to the motor, connect the green ground screw in the switch to the green ground screw under the motor end cover. Use a solid copper wire at least as large as the power supply wires.

Step 3. Connect the ground wire to a grounded lead in a service panel, to a metal underground water pipe, to a metal well casing at least ten feet (3M) long, or to a ground electrode provided by the power company or the hydro authority.

Step 4. Connect the power supply wires to the pressure switch as shown in Figure 6.

You have just completed the wiring for your pump.

Please go to Page 9 for startup preparations.

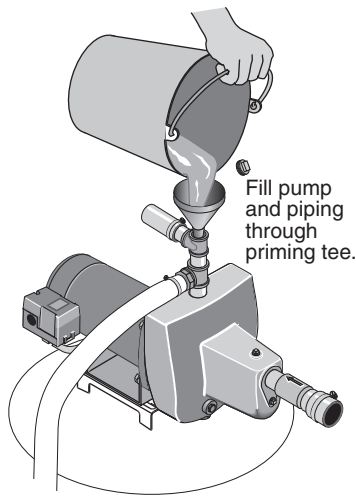
Wiring Chart – Recommended Wire and Fuse Sizes

Series	Motor HP	Volts	Max. Load Amp	Branch Fuse Rating Amp	DISTANCE IN FEET(METERS) FROM MOTOR TO SUPPLY				
					0 - 100 (0 - 30)	101 - 200 (31 - 61)	201 - 300 (62 - 91)	301 - 400 (92 - 122)	401 - 500 (123 - 152)
					AWG WIRE SIZE (mm ²)				
5HN	1/2	115/230	12.2/6.1	20/15	12/14(3/2)	10/14(5.5/2)	8/14(8.4/2)	6/12(14/3)	6/12(14/3)
7HN	3/4	115/230	14.8/7.4	20/15	12/14(3/2)	8/14(8.4/2)	6/14(14/2)	6/12(14/3)	4/10(21/5.5)
10HN	1	115/230	19.2/9.6	25/15	10/14(5.5/2)	8/14(8.4/2)	6/12(14/3)	4/10(21/5.5)	4/10(21/5.5)
5SN	1/2	115/230	8.8/4.4	15/15	14/14(2/2)	12/14(3/2)	10/14(5.5/2)	8/14(8.4/2)	8/12(8.4/3)
7SN	3/4	115/230	12.2/6.1	20/15	12/14(3/2)	10/14(5.5/2)	8/14(8.4/2)	6/12(14/3)	6/12(14/3)
10SN	1	115/230	14.8/7.4	20/15	12/14(3/2)	8/14(8.4/2)	6/14(14/2)	6/12(14/3)	4/10(21/5.5)
15SN	1-1/2	115/230	19.2/9.6	25/15	10/14(5.5/2)	8/14(8.4/2)	6/14(14/2)	4/10(21/5.5)	4/10(21/5.5)

PRIMING

⚠ WARNING Never run pump against closed discharge. To do so can boil water inside pump, causing hazardous pressure in unit, risk of explosion and possibly scalding persons handling pump.

⚠ CAUTION Never run pump dry. Running pump without water may cause pump to overheat, damaging seal and possibly causing burns to persons handling pump. Fill pump with water before starting.



2351 0396

Figure 9: Prime the Pump

Step 1. Remove the priming plug from the pump and fill the pump, fill all piping between the pump and the well, and make sure that all piping in the well is full. If you have also installed a priming tee in the suction piping, remove the plug from the tee and fill the suction piping.

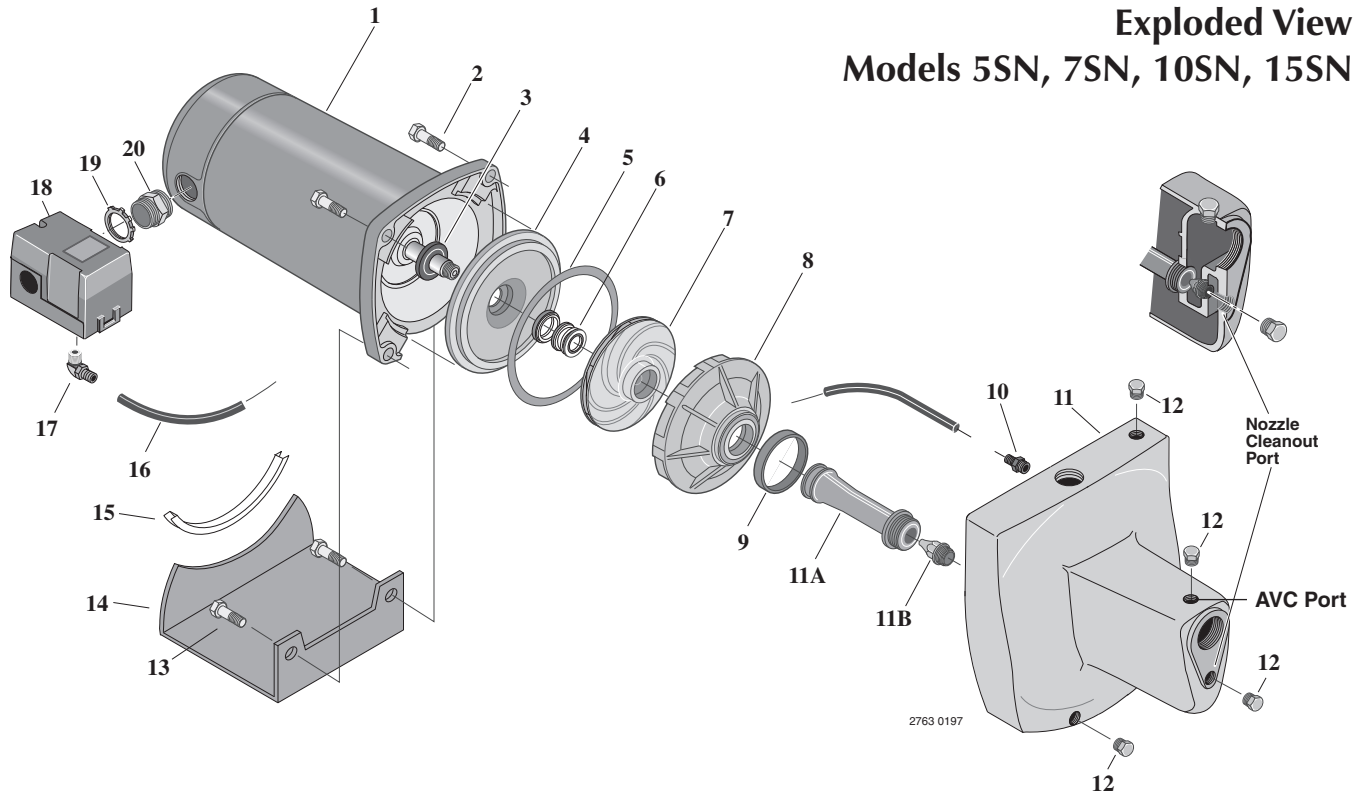
Step 2. Replace all fill plugs.

Step 3. **Power on!** Start the pump. If you don't have water after 2 or 3 minutes, stop the pump and remove the fill plugs. Refill the pump and piping. You may have to repeat this several times in order to get all the trapped air out of the piping. A pump lifting water 25' may take as long as 15 minutes to prime.

Step 4. After the pump has built up pressure in the system and shut off, check the pressure switch operation by opening a faucet or two and running enough water out to bleed off pressure until the pump starts. The pump should start when pressure drops to 30 PSI and stop when pressure reaches 50 PSI. Run the pump through one or two complete cycles to verify correct operation. This will also help clean the system of dirt and scale dislodged during installation.

Congratulations on a successful installation.

If you were unsuccessful, please refer to the Troubleshooting section (Page 12) or call our customer service technical staff, at 1-800-363-PUMP (7867) .



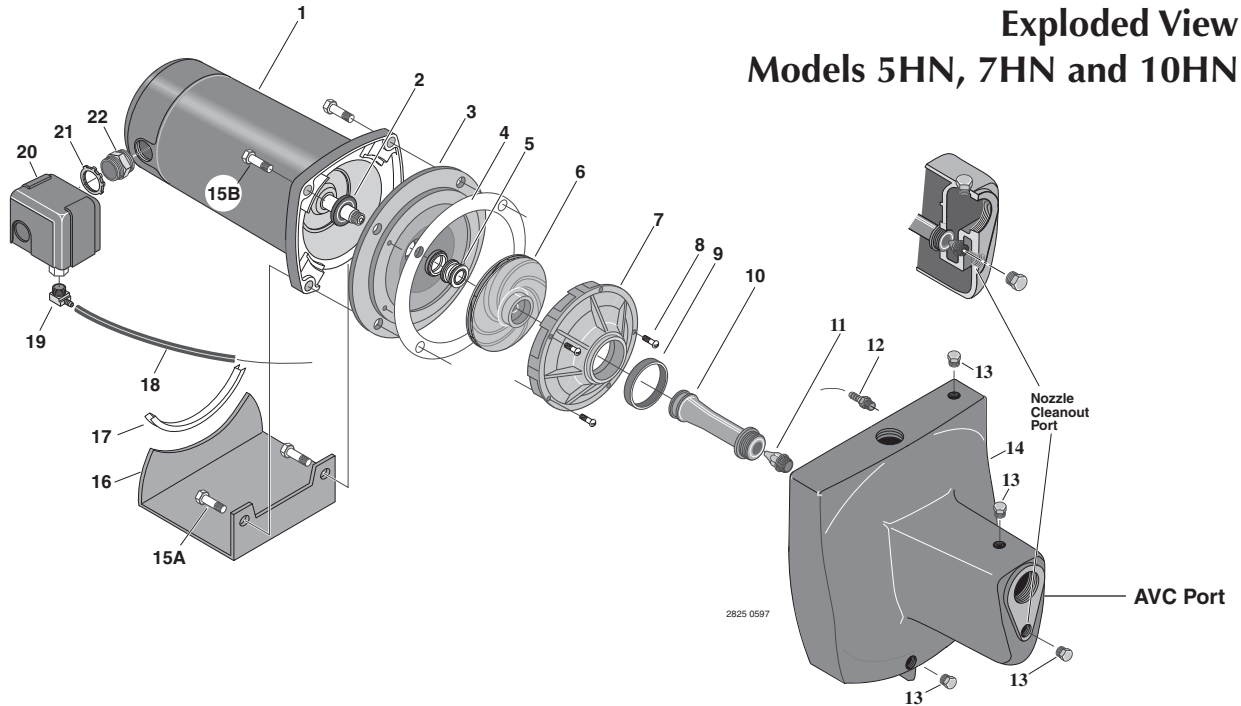
REPAIR PARTS LIST

Key No.	Part Description	No. Used	Model and Horsepower			
			5SN 1/2 HP	7SN 3/4 HP	10SN 1 HP	15SN 1-1/2 HP
1	Motor	1	J218-582APKG	J218-590PKG	J218-596PKG	J218-601PKG
2	Hex Capscrew - 3/8" - 16 x 1-1/4" Lg.	4	U30-75ZP	U30-75ZP	U30-76ZP	U30-76ZP
#§3	Water Slinger	1	17351-0009	17351-0009	17351-0009	17351-0009
4	Seal Plate	1	N3-1043P	N3-1043P	L3-10	L3-10
#§5	Seal Plate Gasket	1	N20-35	N20-35	C20-21	C20-21
#§6	Shaft Seal	1	U109-6A	U109-6A	U109-6A	U109-6A
#7	Impeller	1	J105-40P	J105-42P	J105-8PAN	J105-22PA
#8	Diffuser	1	L1-25P	L1-25P	L1-23P	L1-23P
•	Diffuser Screw	3	-	-	U30-489SS	U30-489SS
#§9	Diffuser Ring	1	N20-34	N20-34	L21-1	L21-1
10	Quick Connect - 1/4" NPT	1	U11-217P	U11-217P	U11-217P	U11-217P
11	Pump Body Assembly	1	N176-43G	N176-43GB	N176-44G	N176-44GA
11A	Venturi	(1)	N32P-66	N32P-75	N32P-64	N32P-65
11B	Nozzle	(1)	N34P-17	N34P-21	J34P-44	J34P-44
12	Pipe Plug - 1/4" NPT Hex Hd.	4	U78-941ZPV	U78-941ZPV	U78-941ZPV	U78-941ZPV
13	Base	1	J4-9	J4-9	J104-9C	J104-9C
14	Rubber Pad	1	C35-5	C35-5	C35-5	C35-5
15	Tube 3/8" O.D. x 14-1/2" Lg.	1	U37-672P	U37-672P	U37-677P	U37-677P
16	Quick Connect Elbow - 1/4" NPT	1	U11-218P	U11-218P	U11-218P	U11-218P
17	Pressure Switch	1	U217-1225	U217-1225	U217-1225	U217-1225
18	Locknut - 1/2"	1	U36-112ZP	U36-112ZP	U36-112ZP	U36-112ZP
19	Connector	1	L43-5C	L43-5C	L43-5C	L43-5C

SERVICE KITS

§ Seal and Gasket Kit	PP1550	PP1550	PP1551	PP1551
# Overhaul Kit	PP1560	PP1561	PP1563	PP1554
NOTE: § Included in Seal and Gasket Kit. # Included in Overhaul Kit.				

Exploded View Models 5HN, 7HN and 10HN



REPAIR PARTS LIST

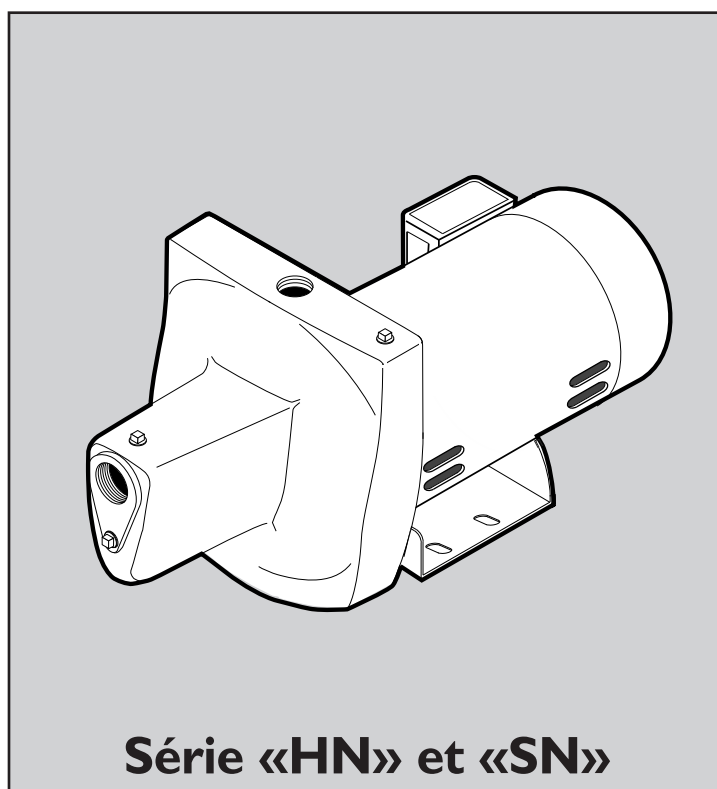
Key No.	Part Description	No. Used	Model and Horsepower		
			5HN 1/2 HP	7HN 3/4 HP	10HN 1 HP
1	Motor - 60 Cycle - 115/230V	1	J218-590PKG	J218-596PKG	J218-601PKG
#§2	Water Slinger	1	17351-0009	17351-0009	17351-0009
3	Seal Plate	1	N3-1043P	L3-10	L3-10
#§4	Gasket - Seal Plate	1	N20-35	C20-21	C20-21
#§5	Shaft Seal	1	U109-6A	U109-6A	U109-6A
#6	Impeller	1	J105-42P	J105-8PAN	J105-22PA
#7	Volute Diffuser Assembly	1	L1-25P	L1-23P	L1-23P
8	Screw	3	-	U30-489SS	U30-489SS
#§9	Diffuser Ring	1	N20-34	L21-1	L21-1
10	Venturi	(1)	N32P-75	N32P-64	N32P-65
11	Nozzle	(1)	N34P-21	J34P-44	J34P-444
12	Quick Connect - 1/4" NPT	1	U11-217P	U11-217P	U11-217P
13	Pipe Plug - 1/4" NPT Hex Hd.	4	U78-941ZP	U78-941ZPV	U78-941ZP
14	Pump Body Assembly	1	N176-43GB	N176-44G	N176-44GA
15A	Capscrew - 3/8" - 16 x 1-1/2" Lg.*	2	U30-75ZP	U30-76ZP	U30-76ZP
15B	Capscrew - 3/8" - 16 x 1-1/4" Lg.	2	U30-75ZP	U30-75ZP	U30-75ZP
16	Base	1	J4-9	J104-9C	J104-9C
17	Rubber Pad	1	C35-5	C35-5	C35-5
18	Switch Tube 3/8" O.D. x 14-1/2" Lg.	1	U37-672P	U37-672P	U37-677P
19	Quick Connect Elbow - 1/4" NPT	1	U11-218P	U11-218P	U11-218P
20	Pressure Switch	1	U217-1216	U217-1216	U217-1216
21	Locknut - 1/2" NPT	1	U36-112ZP	U36-112ZP	U36-112ZP
22	Connector	1	L43-5C	L43-5C	L43-5C

* 1-1/4" long in Model 5HN.

SERVICE KITS

§ Seal and Gasket Kit	PP1550	PP1551	PP1551
# Overhaul Kit	PP1561	PP1564	PP1564
NOTE: § Included in Seal and Gasket Kit. # Included in Overhaul Kit.			

SYMPTOM	POSSIBLE CAUSE(S)	CORRECTIVE ACTION
Motor will not run	<p>Disconnect switch is off Fuse is blown or circuit breaker tripped Starting switch is defective Wires at motor are loose, disconnected, or wired incorrectly</p> <p>Pressure switch contacts are dirty</p>	<p>Be sure switch is on. Replace fuse or reset circuit breaker. DISCONNECT POWER; Replace starting switch. Refer to instructions on wiring (Page 8). DISCONNECT POWER; check and tighten all wiring.</p> <p>⚠️ WARNING Capacitor voltage may be hazardous. To discharge capacitor, hold insulated handle screwdriver BY THE HANDLE and short capacitor terminals together. Do not touch metal screwdriver blade or capacitor terminals. If in doubt, consult a qualified electrician. DISCONNECT POWER and file contacts with emery board or nail file.</p>
Motor runs hot and overload kicks off	<p>Motor is wired incorrectly Voltage is too low</p> <p>Pump cycles too frequently</p>	<p>Refer to instructions on wiring. Check with power company. Install heavier wiring if wire size is too small (See Electrical / Wiring Chart). See section below on too frequent cycling.</p>
<p>Motor runs but no water is delivered*</p> <p>* (Note: <i>Stop pump</i>; then check prime before looking for other causes. Unscrew priming plug and see if water is in priming hole).</p>	<p>Pump in new installation did not pick up prime through: 1. Improper priming 2. Air leaks 3. Leaking foot valve or check valve</p> <p>Pump has lost prime through: 1. Air leaks 2. Water level below suction pipe inlet</p> <p>Foot valve or strainer is plugged Ejector or impeller is plugged Check valve or foot valve is stuck shut Pipes are frozen Foot valve and/or strainer are buried in sand or mud Water level is too low for shallow well setup to deliver water</p>	<p>In new installation:</p> <ol style="list-style-type: none"> 1. Re-prime according to instructions. 2. Check all connections on suction line, AVC, and ejector with soapy water or shaving cream. 3. Replace foot valve or check valve. <p>In installation already in use:</p> <ol style="list-style-type: none"> 1. Check all connections on suction line and shaft seal. 2. Lower suction line into water and re-prime. If receding water level in well exceeds 25' (7.6M), a deep well pump is needed. <p>Clean foot valve or strainer. Clean ejector or impeller. Replace check valve or foot valve. Thaw pipes. Bury pipes below frost line. Heat pit or pump house. Raise foot valve and/or strainer above bottom of water source. Clean foot valve and strainer. A deep well jet package may be needed (over 25 ft. to water) to deliver water.</p>
Pump does not deliver water to full capacity	<p>Water level in well is lower than estimated Steel piping (if used) is corroded or limed, causing excess friction Piping is too small in size Packed well point</p>	<p>A deep well jet will be needed if your well is more than 25' (7.6M) depth to water. Replace with plastic pipe where possible, otherwise with new steel pipe.</p> <p>Use larger piping. Backflush well point or sink new point.</p>
Pump delivers water but does not shut off or pump cycles too frequently	<p>Pressure switch is out of adjustment or contacts are welded together Faucets have been left open Venturi, nozzle or impeller is clogged Standard pressure tank is waterlogged and has no air cushion Pipes leak Foot valves leak Air charge too low in pre-charged tank</p>	<p>DISCONNECT POWER; adjust or replace pressure switch.</p> <p>Close faucets. Clean venturi, nozzle or impeller. Drain tank to air volume control port. Check AVC for defects. Check all connections for air leaks. Check connections. Replace foot valve. DISCONNECT POWER and open faucets until all pressure is relieved. Using tire pressure gauge, check air pressure in tank at valve stem located on the tank. If less than pressure switch cut-in setting (30-50 PSI), pump air into tank from outside source until air pressure is 2 PSI less than cut-in setting of switch. Check air valve for leaks (use soapy solution) and replace core if necessary.</p>
Air spurts from faucets	<p>Pump is picking up prime Leak in suction side of pump Well is gaseous Intermittent over-pumping of well. (Water drawn down below foot valve.)</p>	<p>When pump has picked up prime, it should pump solid water with no air. Suction pipe is sucking air. Check joints for leaks with soapy water. Consult factory about installing a sleeve in the well Lower foot valve if possible, otherwise restrict pump discharge</p>



Installation/Fonctionnement/Pièces

Pour plus de renseignements concernant l'utilisation, l'installation ou l'entretien:

Composer le 1 (800) 363-7867

LIRE TOUTES CES INSTRUCTIONS ET LES SUIVRE!

⚠ Ce symbole indique qu'il faut être prudent. Lorsque ce symbole apparaît sur la pompe ou dans cette Notice, rechercher une des mises en garde qui suivent, car elles indiquent un potentiel possible de blessures corporelles :

⚠ DANGER avertit d'un danger **qui causera** des blessures corporelles, la mort ou des dommages matériels importants si on l'ignore.

⚠ AVERTISSEMENT avertit d'un danger **qui risque** de causer des blessures corporelles, la mort ou des dommages matériels importants si on l'ignore.

⚠ ATTENTION avertit d'un danger qui **causera** ou qui **risquera** de causer des blessures corporelles, la mort ou des dommages matériels importants si on l'ignore.

Le mot **NOTA** indique des instructions spéciales et importantes n'ayant aucun rapport avec les dangers.

Lire attentivement toutes les consignes de sécurité contenues dans cette Notice ou collées sur la pompe.

Garder les autocollants de sécurité en bon état; les remplacer s'ils manquent ou s'ils ont été endommagés.

⚠ AVERTISSEMENT



Tension dangereuse. Risque de secousses électriques, de brûlures, voire de mort.

Mettre à la terre la pompe avant de la brancher sur le courant électrique. Couper l'arrivée de courant avant d'intervenir sur la pompe, sur le moteur ou sur le réservoir.

⚠ Câbler le moteur en fonction de la bonne tension. Voir la Section «Électricité» de cette Notice et la plaque signalétique du moteur.

⚠ Mettre à la terre le moteur avant de le brancher sur le courant électrique.

⚠ Conforme au Code national de l'électricité, au Code canadien de l'électricité et aux codes municipaux pour tous les câblages.

⚠ Respecter les instructions de câblage figurant dans cette Notice lorsque l'on branche le moteur sur une ligne haute tension.

SÉCURITÉ CONCERNANT L'ÉLECTRICITÉ

⚠ AVERTISSEMENT La tension du condensateur peut être **dangereuse**. Pour décharger le condensateur du moteur, tenir un tournevis à manche isolé **PAR LE MANCHE** et mettre en court-circuit les bornes du condensateur. Ne pas toucher la lame métallique du tournevis ni les bornes du condensateur. En cas de doute, consulter un électricien qualifié.

SÉCURITÉ GÉNÉRALE

⚠ ATTENTION Ne pas toucher un moteur qui fonctionne. Les moteurs modernes peuvent fonctionner à des températures élevées. Pour ne pas se brûler lorsque l'on interviendra sur la pompe, la laisser refroidir pendant 20 minutes après l'avoir arrêtée avant de la toucher.

Ne pas laisser geler la pompe ni aucun autre élément du système, sinon la garantie sera annulée.

Ne pomper que de l'eau avec cette pompe.


Périodiquement, inspecter la pompe et tous les éléments du système.

Toujours porter des lunettes de sécurité lorsque l'on intervient sur une pompe.

Garder la zone de travail propre, non encombrée et bien éclairée; tous les outils et tout l'équipement non utilisés doivent être entreposés correctement.

Ne pas laisser les visiteurs s'approcher de la zone de travail.

⚠ AVERTISSEMENT Le corps de la pompe peut exploser si la pompe est utilisée en tant que pompe de surpression, à moins qu'une soupape de sûreté pouvant laisser passer le débit maximum de la pompe à 75 lb/po² soit posée.



⚠ AVERTISSEMENT

Pression dangereuse!
Poser une soupape de sûreté sur le tuyau de refoulement.

Dissiper toute la pression du système avant d'intervenir sur un élément.

Merci d'avoir acheté une pompe de qualité supérieure mise à l'essai à l'usine.

	Page
Sécurité	2
Garantie	3
Installation.....	4,5
Branchement de la tuyauterie de refoulement	6
Électricité.....	7/8
Préparations avant le démarrage de la pompe	9
Pièces de rechange.....	10-11
Diagnostic des pannes.....	12

GARANTIE LIMITÉE

BERKELEY garantit au consommateur initial (ci-après appelé l'« Acheteur ») que les produits énumérés dans les présentes sont exempts de défaut de matériau et de fabrication pendant la durée des garanties à compter de la durée des garanties indiquées ci-dessous.

Produits	Durée des garanties
Produits de systèmes d'eau — Pompes à éjecteur, petites pompes centrifuges, pompes submersibles et tous les accessoires connexes	<i>Selon le premier terme atteint :</i> 12 mois à compter de la date de la première installation ou 18 mois à compter de la date de fabrication
Réservoirs composites Pro-Source™	5 ans à compter de la date de la première installation
Réservoirs sous pression en acier Pro-Source™	5 ans à compter de la date de la première installation
Réservoirs revêtus d'époxyde Pro-Source™	3 ans à compter de la date de la première installation
Produits de puisard/d'égout/d'effluents	12 mois à compter de la date de la première installation ou 18 mois à compter de la date de fabrication

Nos garanties ne s'appliquent pas aux produits ayant fait l'objet de négligence, d'une mauvaise utilisation, d'une mauvaise installation ou d'un manque d'entretien adéquat. Sans aucune limitation des présentes, la garantie des moteurs triphasés submersibles sera nulle et non avenue si ces moteurs sont branchés et fonctionnent sur le courant monophasé par l'intermédiaire d'un déphaseur. Il faut également noter que les moteurs triphasés doivent être protégés par un relais de surcharge tripolaire thermocompensé à déclenchement extrêmement rapide du calibre recommandé, sinon la garantie sera nulle et non avenue.

Le seul recours de l'Acheteur et la seule responsabilité de BERKELEY consistent à réparer ou à remplacer (au choix de BERKELEY) les produits qui se révéleraient défectueux. L'Acheteur s'engage à payer tous les frais de main-d'œuvre et d'expédition du produit couvert par sa garantie et de s'adresser au concessionnaire-installateur ayant procédé à l'installation dès qu'un problème est découvert pour obtenir un service sous garantie. Aucune demande de service en vertu de sa garantie ne sera acceptée après expiration de la durée de sa garantie. Ces garanties ne sont pas transférables.

BERKELEY DÉCLINE TOUTE RESPONSABILITÉ POUR TOUT DOMMAGE INDIRECT OU FORTUIT QUEL QU'IL SOIT.

LES PRÉSENTES GARANTIES SONT EXCLUSIVES ET TIENNENT LIEU DE TOUTE AUTRE GARANTIE FORMELLE ET TACITE, Y COMPRIS, MAIS SANS S'Y LIMITER, TOUTE GARANTIE TACITE DE QUALITÉ MARCHANDE OU DE CONVENANCE DU PRODUIT À UNE FIN PARTICULIÈRE. LA DURÉE DES PRÉSENTES GARANTIES NE DEVRA PAS DÉPASSER LA DURÉE DES GARANTIES FORMELLES STIPULÉES DANS LES PRÉSENTES.

Certains états, territoires et certaines provinces ne permettent pas l'exclusion ou la limitation des dommages indirects ou fortuits, ni les limitations relatives à la durée des garanties tacites. Par conséquent, il se peut que les limitations ou les exclusions stipulées dans les présentes ne s'appliquent pas dans ce cas. Ces garanties accordent des droits juridiques précis, bien que l'on puisse bénéficier d'autres droits, selon la province, le territoire ou l'état dans lequel on réside.

Ces garanties remplacent et annulent toutes les garanties précédemment publiées.

Aux États-Unis : BERKELEY, 293 Wright St., Delavan, WI 53115

Au Canada : 269 Trillium Dr., Kitchener, Ontario N2G 4W5

REPLACEMENT D'UNE ANCIENNE POMPE

⚠ AVERTISSEMENT Tension dangereuse. Couper l'arrivée de courant à la pompe avant d'intervenir sur la pompe ou sur le moteur.

- 1 ° Vider toute l'eau de l'ancienne pompe; déposer l'ancienne pompe. Vérifier l'ancienne tuyauterie à la recherche de dépôts de tartre, de chaux, de rouille, etc.; la remplacer selon le besoin.
- 2 ° Brancher la pompe sur le système. S'assurer que tous les raccords du tuyau d'aspiration sont bien étanches, aussi bien à l'air qu'à l'eau. *Si le tuyau d'aspiration aspire de l'air, la pompe ne pompera pas l'eau du puits.*
- 3 ° Régler la hauteur de montage de la pompe de façon que les raccords de plomberie n'exercent aucune contrainte sur le corps de la pompe. Supporter les tuyaux de façon que le corps de la pompe ne supporte pas le poids de la tuyauterie ni des raccords.

Le branchement de cette pompe à éjecteur neuve pour puits profonds sur la tuyauterie du puits est maintenant terminé. Passer à la page 6 pour le branchement de la tuyauterie de refoulement et sur un réservoir.

INSTALLATION DE LA POINTE FILTRANTE (Figure 1)

- 1 ° Enfoncer la pointe dans le sol, en utilisant des «raccords d'enfoncement» et des «chapeaux de battage». Les «raccords d'enfoncement» sont filetés sur toute leur longueur, ce qui permet aux extrémités des tuyaux de venir en butée l'une contre l'autre de façon que la force d'enfoncement du maillet soit absorbée par le tuyau et non pas par les filets. Les raccords ordinaires que l'on trouve dans les quincailleries ne sont pas filetés sur toute leur longueur et ils risquent de s'écraser sous l'impact des coups. Les «raccords d'enfoncement»

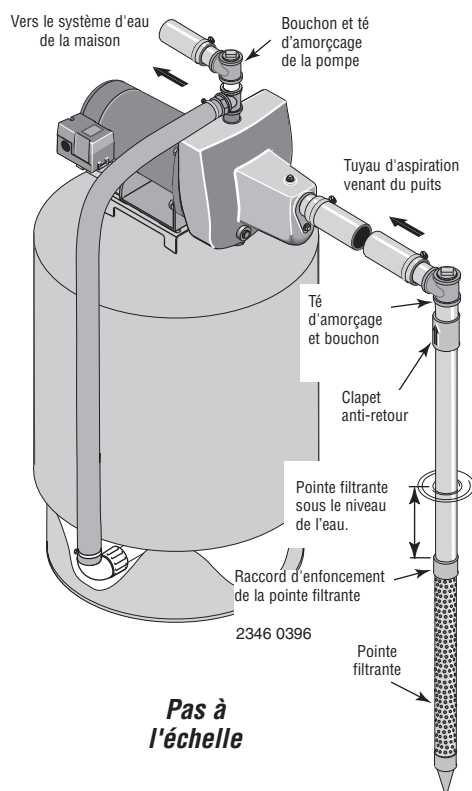


Figure 1: Installation avec une pointe filtrante

ment» sont également plus lisses que les raccords de plomberie standard, ce qui leur permet de pénétrer plus facilement dans le sol.

- 2 ° Monter la pompe aussi près que possible du puits.
- 3 ° Utiliser le moins possible de raccords (en particulier des coudes) lorsque l'on branche la tuyauterie de la pointe filtrante sur l'orifice d'aspiration de la pompe. Le diamètre du tuyau d'aspiration doit être au moins aussi grand que le diamètre de l'orifice d'aspiration de la pompe (y compris le clapet anti-retour si la pompe n'en comporte pas un - voir la Figure 1). Supporter le tuyau de façon qu'il ne soit pas cintré afin qu'il n'exerce pas de contraintes sur le corps de la pompe; de plus, il doit être légèrement incliné vers le haut, du puits jusqu'à la pompe (les points hauts risquent de causer des poches et des bouchons d'air dans la pompe). Rendre étanches les raccords du tuyau d'aspiration avec du ruban téflon ou une pâte pour raccords filetés à base de téflon. Les raccords doivent être étanches à l'air et à l'eau. *Si le tuyau d'aspiration aspire de l'air, la pompe ne pompera pas l'eau du puits.* Si une pointe filtrante ne fournit pas suffisamment d'eau, considérer brancher deux ou trois pointes filtrantes sur un même tuyau d'aspiration.

Le branchement de cette pompe à éjecteur neuve pour puits profonds sur la tuyauterie du puits est maintenant terminé. Passer à la page 6 branchement pour la tuyauterie de refoulement et sur un réservoir.

INSTALLATION SUR UN PUIT À TUBAGE DE 2 POUCES DE DIAMÈTRE OU PLUS GRAND (voir la Figure 2)

- 1 ° Monter la pompe aussi près que possible du puits.
- 2 ° Brancher le clapet de pied, la crépine et le tuyau du puits (voir la Figure 2). S'assurer que le clapet de pied fonctionne librement.

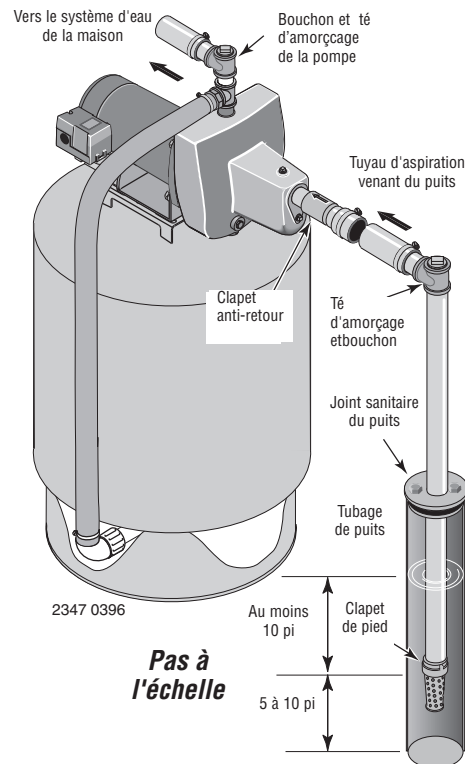


Figure 2 : Installation dans un puits à tubage

- 3 ° Abaisser le tuyau dans le puits jusqu'à ce que la crépine soit à cinq pieds du fond du puits. Pour que la pompe n'aspire pas d'air, la crépine doit être au moins à 10 pieds sous le niveau de l'eau du puits *pendant que la pompe fonctionne*. Poser un joint sanitaire de puits.
- 4 ° Poser le té d'amorçage, le bouchon d'amorçage et le tuyau d'aspiration sur la pompe (voir la Figure 2). Brancher le tuyau provenant du puits sur l'orifice d'aspiration de la pompe en utilisant le moins possible de raccords - en particulier des coudes - étant donné que les raccords augmentent le frottement de l'eau dans les tuyaux (il faut toutefois ajouter un clapet de pied — voir la Figure 2). Le diamètre du tuyau d'aspiration doit être au moins aussi grand que le diamètre de l'orifice d'aspiration de la pompe. Utiliser du ruban téflon ou de la pâte pour raccords filetés à base de téflon sur les raccords filetés. Supporter le tuyau de façon qu'il ne soit pas cintré afin qu'il n'exerce pas de contraintes sur le corps de la pompe; de plus, il doit être légèrement incliné vers le haut, du puits jusqu'à la pompe (les points hauts risquent de causer des poches et des bouchons d'air dans la pompe). Rendre étanches les raccords du tuyau d'aspiration avec du ruban téflon ou une pâte pour raccords filetés à base de téflon. Les raccords doivent être étanches à l'air et à l'eau. *Si le tuyau d'aspiration aspire de l'air, la pompe ne pompera pas l'eau du puits.*

Le branchement de cette pompe à éjecteur neuve pour puits profonds sur la tuyauterie du puits est maintenant terminé. Passer à la page 6 pour le branchement de la tuyauterie de refoulement et sur un réservoir.

INSTALLATION DANS LE CAS D'EAUX EN SURFACE (Figure 3)

- 1 ° Monter la pompe aussi près que possible du puits en utilisant le moins possible de raccords (en particulier des coudes) sur le tuyau d'aspiration. Le diamètre du tuyau d'aspiration doit être au moins aussi grand que le diamètre de l'orifice d'aspiration de la pompe.
- 2 ° Assembler le clapet de pied et le tuyau d'aspiration (voir la Figure 3). S'assurer que le clapet de pied fonctionne librement. Utiliser du ruban téflon ou de la pâte pour raccords filetés à base de téflon sur les raccords filetés. Poser une crépine autour du clapet de pied pour le protéger contre les poissons, les déchets, etc. (voir la Figure 3).
- 3 ° Abaisser le tuyau dans le puits jusqu'à ce que la crépine soit à cinq pieds du fond du puits. Pour que la pompe n'aspire pas d'air, la crépine doit être au moins à 10 pieds sous le niveau de l'eau du puits pendant que la pompe fonctionne.
- 4 ° Poser le té d'amorçage, le bouchon d'amorçage et le tuyau d'aspiration sur la pompe (voir la Figure 3). Supporter le tuyau de façon qu'il ne soit pas cintré afin qu'il n'exerce pas de contraintes sur le corps de la pompe; de plus, il doit être légèrement incliné vers le haut, du puits jusqu'à la pompe (les points hauts risquent de causer des poches et des bouchons d'air dans la pompe). Rendre étanches les raccords du tuyau d'aspiration avec du ruban téflon ou une pâte pour raccords filetés à base de téflon. Les raccords doivent être étanches à l'air et à l'eau. *Si le tuyau d'aspiration aspire de l'air, la pompe ne pompera pas l'eau du puits.*

Le branchement de cette pompe à éjecteur neuve pour puits profonds sur la tuyauterie du puits est maintenant terminé. Passer à la page 6 pour le branchement de la tuyauterie de refoulement et sur un réservoir.

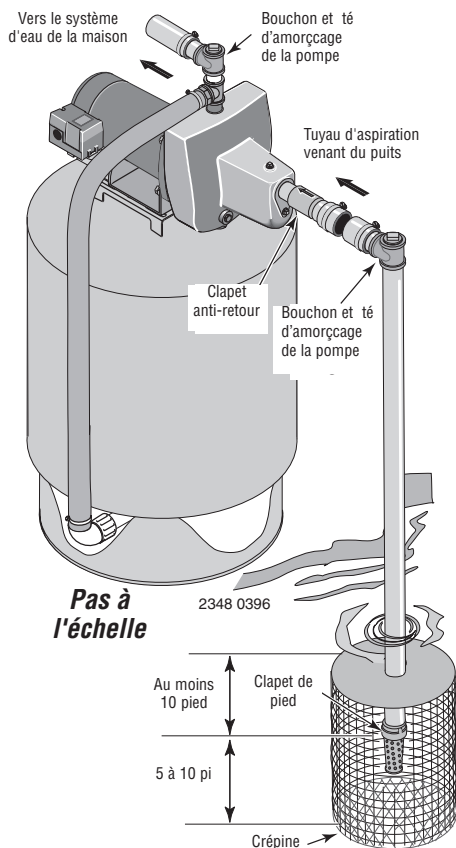


Figure 3 : Installation pour les eaux de surface

BRANCHEMENT SUR UN RÉSERVOIR PRÉCHARGÉ (Figure 4)

- 1 ° Poser deux té dans l'orifice de refoulement de la pompe (voir la Figure 4). Le diamètre du tuyau doit être au moins aussi grand que le diamètre de l'orifice de refoulement.

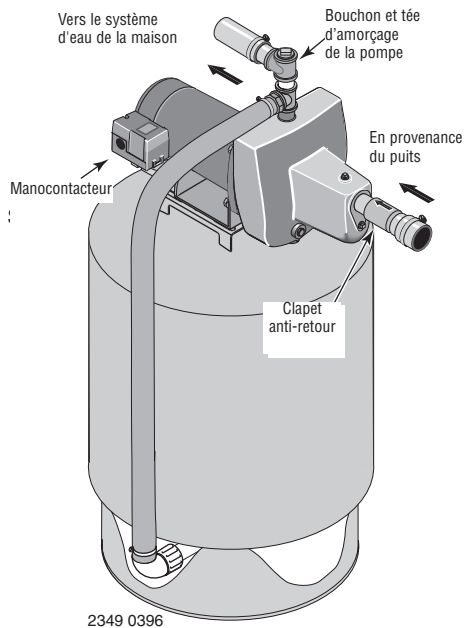


Figure 4 : Branchements sur un réservoir préchargé

- 2 ° Poser un tuyau rigide ou un tuyau souple renforcé entre une des branches du premier té et l'orifice du réservoir préchargé.
- 3 ° Brancher l'autre extrémité du té de refoulement sur le système de la plomberie.
- 4 ° Vérifier la précharge d'air dans le réservoir avec un manomètre pour pneu. La précharge doit être de 2 lb/po² inférieure au réglage de la pression d'enclenchement du manostat de la pompe. La précharge se mesure lorsqu'il n'y a pas de pression d'eau dans le réservoir. Cette pompe neuve est équipée d'un manostat 30/50 lb/po²; la pression de précharge du réservoir devra donc être réglée à 28 lb/po².

Félicitations! Le branchement de la pompe à éjecteur sur le réservoir est maintenant terminé.

Passer aux pages 7 et 8 pour les branchements électriques.

BRANCHEMENT SUR UN RÉSERVOIR STANDARD (Figure 5)

- 1 ° Poser un té dans l'orifice de refoulement de la pompe (voir la Figure 5).

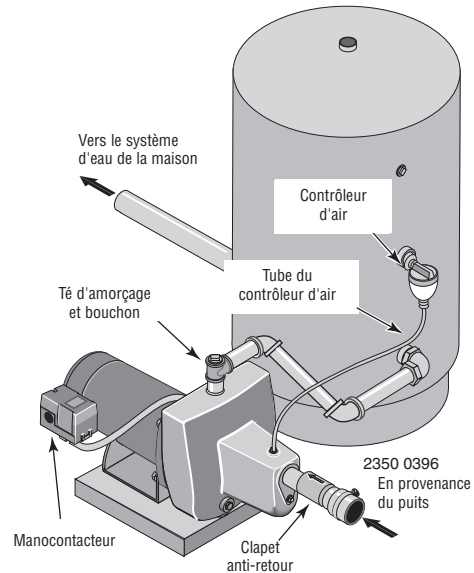


Figure 5 : Branchements sur un réservoir standard

- 2 ° Poser un tuyau entre l'orifice de refoulement de la pompe et l'orifice d'admission du réservoir. Le diamètre du tuyau doit être au moins aussi grand que le diamètre de l'orifice de refoulement de la pompe.
- 3 ° Déposer le bouchon fileté de 1/8 de pouce NPT de l'orifice du contrôleur d'air de la pompe (voir la Figure 5). Poser un tube entre l'orifice du contrôleur d'air monté sur le réservoir et l'orifice du contrôleur d'air. L'emplacement de l'orifice du contrôleur d'air variera en fonction du modèle de pompe (se reporter aux vues éclatées, page 10).

Félicitations! Le branchement de la pompe à éjecteur sur le réservoir est maintenant terminé.

Passer aux pages 7 et 8 pour les branchements électriques.

Étanchéité des raccords des tuyaux

N'utiliser que du ruban téflon ou de la pâte d'étanchéité pour raccords filetés à base de téflon pour procéder à tous les raccords filetés sur la pompe. **Ne pas utiliser de pâte pour raccords filetés sur les pompes en plastique** : cette pâte peut réagir avec les éléments en plastiques de la pompe. S'assurer que tous les raccords du tuyau d'aspiration sont bien étanches, aussi bien à l'air qu'à l'eau. *Si le tuyau d'aspiration aspire de l'air, la pompe ne pompera pas l'eau du puits.*

⚠ Débrancher le courant électrique avant d'intervenir sur la pompe, le moteur, le manostat ou le câblage.

RÉGLAGES DU MOTEUR

Les moteurs bitension (c'est-à-dire ceux qui fonctionnent sur le courant de 115 ou de 230 volts) sont réglés à l'usine pour fonctionner sur le courant de 230 volts. Ne pas modifier le réglage de la tension du moteur si la tension secteur est de 230 volts ou si le moteur est un moteur à une seule tension.

REMARQUE : Ne jamais câbler un moteur fonctionnant sur le courant de 115 volts sur un circuit de 230 volts.

Pour déposer le couvercle du moteur

Dans le cas d'un moteur bitension devant être branché sur le courant de 115 volts, procéder comme il est indiqué ci-dessous.

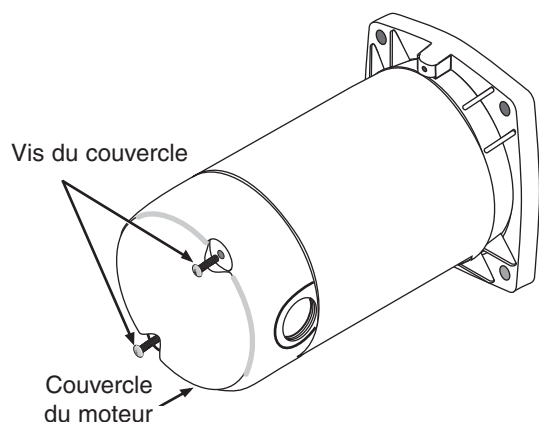


Figure 6 : Dépose du couvercle du moteur

Le couvercle du moteur devra être déposé pour modifier le réglage de la tension.

La palette à bornes du moteur (qui se trouve sous le couvercle du moteur) doit ressembler à celle montrée ci-dessous.

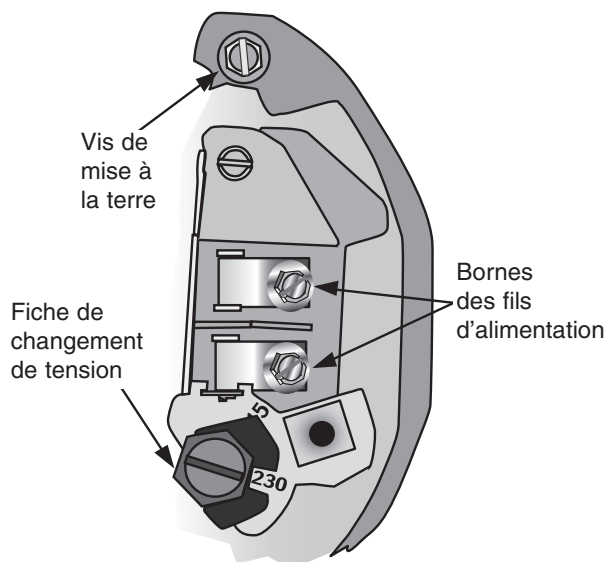


Figure 7 : Tension réglée sur le courant de 230 volts. Sélecteur rotatif

Pour faire fonctionner le moteur sur le courant de 115 volts :

- 1 ° S'assurer que le courant est coupé.
- 2 ° Tourner le sélecteur vers la gauche jusqu'à ce que « 115 » apparaisse dans la fenêtre du cadran.
- 3 ° Les fils du manostat doivent déjà être branchés sur les bornes.
- 4 ° Reposer le couvercle du moteur.

Câblage du manostat

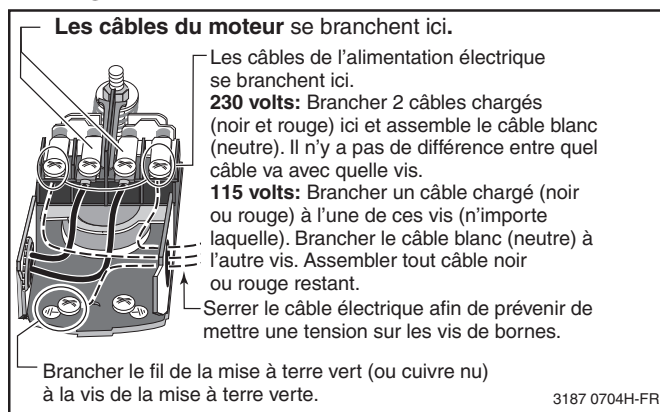


Figure 8: Câblage du manostat

- 5 ° Voir connexions de câblage ci-dessous.

⚠ AVERTISSEMENT Tension dangereuse. Risque de secousses électriques, de brûlures, voire la mort. Brancher le fil de terre avant de brancher les fils de tension. Utiliser des fils de calibre spécifié (y compris le fil de terre) dans le tableau de câblage. Dans la mesure du possible, brancher la pompe sur un circuit séparé, sur lequel aucun autre appareil ne sera branché.

⚠ AVERTISSEMENT Risque d'explosion. Ne pas mettre à la terre sur une conduite de gaz.

CONNEXIONS DES FILS

▲ AVERTISSEMENT **Risque d'incendie.** L'utilisation d'une mauvaise tension risque de causer un incendie ou d'endommager gravement le moteur et d'annuler la garantie. La tension d'alimentation doit correspondre à $\pm 10\%$ de la tension figurant sur la plaque signalétique du moteur.

NOTA : Les moteurs bi-tension sont câblés à l'usine pour fonctionner sur le 230 volts. Au besoin, recâbler le moteur pour qu'il fonctionne sur le 115 volts, comme il est illustré. Ne pas modifier le câblage des moteurs fonctionnant sur une tension.

Installer la pompe, la mettre à la terre, la câbler et l'entretenir conformément au National Electrical Code (NEC) ou au Code canadien de l'électricité, selon le cas, et conformément à tous les codes et décrets en vigueur de la municipalité. Consulter l'inspecteur des bâtiments de la localité pour plus de renseignements sur les codes.

Méthodes de connexion :

1 ° Brancher tout d'abord le fil de mise à la terre, comme il est illustré à la Figure 6. Le fil de mise à la terre doit être un fil de cuivre massif d'un diamètre au moins aussi gros que le diamètre des fils de tension.

- 2 ° Il doit y avoir un raccordement en métal solide entre le manostat et le moteur pour une protection à la terre du moteur. Si le manostat n'est pas branché sur le moteur, brancher la vis verte de mise à la terre du manostat sur la vis verte de mise à la terre qui se trouve sous le couvercle du moteur. Utiliser un fil de cuivre massif ayant un diamètre au moins aussi gros que celui des fils de tension.
- 3 ° Brancher le fil de mise à la terre sur le fil de mise à la terre du tableau de distribution, sur un tuyau métallique d'eau enterré, sur le tubage d'un puits en métal ayant au moins 10 pieds (3 mètres) de long, ou sur une électrode de mise à la terre que fournira la compagnie d'électricité.
- 4 ° Brancher les fils de tension sur le manostat, comme il est illustré à la Figure 6.

Le câblage de la pompe est maintenant terminé.

Se reporter à la page 9 pour les préparations avant le démarrage.

Tableau de câblage - Câbles et diamètres des fusibles recommandés

Série	Puissance du motor en ch	Tension	Charge max. en ampères	Fusible Intensité en ampères	DISTANCE EN PIEDS (EN MÈTRES) ENTRE LE MOTEUR ET LE COURANT D'ALIMENTATION				
					0 - 100 (0 - 30)	101 - 200 (31 - 61)	201 - 300 (62 - 91)	301 - 400 (92 - 122)	401 - 500 (123 - 152)
					DIAMÈTRE DU FIL - CALIBRE AWG (mm ²)				
5HN	1/2	115/230	12.2/6.1	20/15	12/14(3/2)	10/14(5.5/2)	8/14(8.4/2)	6/12(14/3)	6/12(14/3)
7HN	3/4	115/230	14.8/7.4	20/15	12/14(3/2)	8/14(8.4/2)	6/14(14/2)	6/12(14/3)	4/10(21/5.5)
10HN	1	115/230	19.2/9.6	25/15	10/14(5.5/2)	8/14(8.4/2)	6/12(14/3)	4/10(21/5.5)	4/10(21/5.5)
5SN	1/2	115/230	8.8/4.4	15/15	14/14(2/2)	12/14(3/2)	10/14(5.5/2)	8/14(8.4/2)	8/12(8.4/3)
7SN	3/4	115/230	12.2/6.1	20/15	12/14(3/2)	10/14(5.5/2)	8/14(8.4/2)	6/12(14/3)	6/12(14/3)
10SN	1	115/230	14.8/7.4	20/15	12/14(3/2)	8/14(8.4/2)	6/14(14/2)	6/12(14/3)	4/10(21/5.5)
15SN	1-1/2	115/230	19.2/9.6	25/15	10/14(5.5/2)	8/14(8.4/2)	6/14(14/2)	4/10(21/5.5)	4/10(21/5.5)

AMORÇAGE

⚠ AVERTISSEMENT Ne jamais faire fonctionner la pompe contre un refoulement fermé, sinon l'eau risque de bouillir à l'intérieur de la pompe, des pressions dangereuses peuvent s'accumuler à l'intérieur de la pompe, une explosion risque de s'ensuivre et les personnes qui manipulent la pompe pourront être ébouillantées.

⚠ ATTENTION Ne jamais faire fonctionner la pompe à sec. Faire fonctionner la pompe sans eau risque de causer une surchauffe de la pompe, d'endommager les joints et, possiblement, causer des brûlures aux personnes qui manipuleront la pompe. Faire le plein d'eau de la pompe avant de la démarrer.

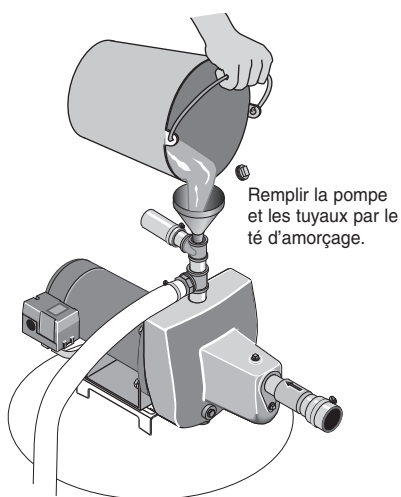


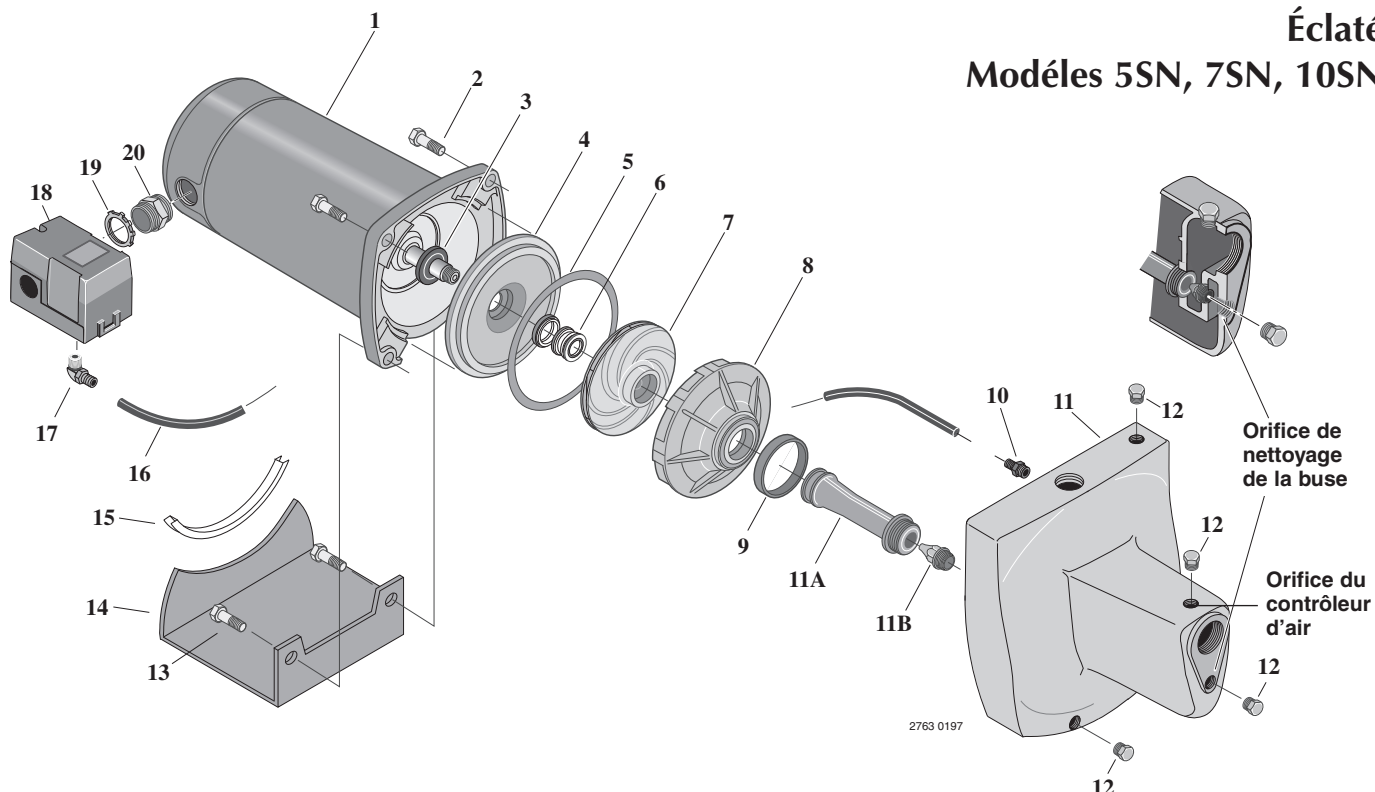
Figure 8 : Amorçage de la pompe

- 1 ° Déposer le bouchon d'amorçage de la pompe et faire le plein de la pompe et de tous les tuyaux branchés entre la pompe et le puits et s'assurer que tous les tuyaux du puits sont pleins. Si un té d'amorçage a déjà été posé sur le tuyau d'aspiration, le déposer du té et faire le plein de la tuyauterie d'aspiration.
- 2 ° Reposer tous les bouchons de remplissage.
- 3 ° **Établir le courant!** Démarrer la pompe. S'il n'y a pas de présence d'eau après 2 ou 3 minutes de fonctionnement, arrêter la pompe et déposer les bouchons de remplissage. Refaire le plein de la pompe et de la tuyauterie. Cette opération devra peut-être être répétée plusieurs fois de façon à chasser tout l'air emprisonné dans la tuyauterie. Il faudra jusqu'à 15 minutes pour qu'une pompe aspirant de l'eau à 25 pieds s'amorce.
- 4 ° Après que la pression se sera accumulée dans le système et que la pompe se sera arrêtée, vérifier le fonctionnement du manostat en ouvrant un ou deux robinets du système; laisser couler suffisamment d'eau pour dissiper la pression jusqu'à ce que la pompe redémarre. La pompe doit redémarrer lorsque la pression chute à 30 lb/po² et s'arrêter lorsque la pression atteint 50 lb/po². Faire fonctionner la pompe pendant un ou deux cycles complets pour confirmer son bon fonctionnement. Ceci permettra également de nettoyer le système de toute la saleté et de tout le tartre qui se seront détachés pendant l'installation.

Félicitations pour une installation réussie.

Si l'installation n'est pas réussie, se reporter à la Section Diagnostic des pannes (à la page 12) ou appeler notre personnel technique du service à la clientèle, 1 800 363-7867.

Éclaté Modèles 5SN, 7SN, 10SN



LISTE DES PIÈCES DE RECHANGE

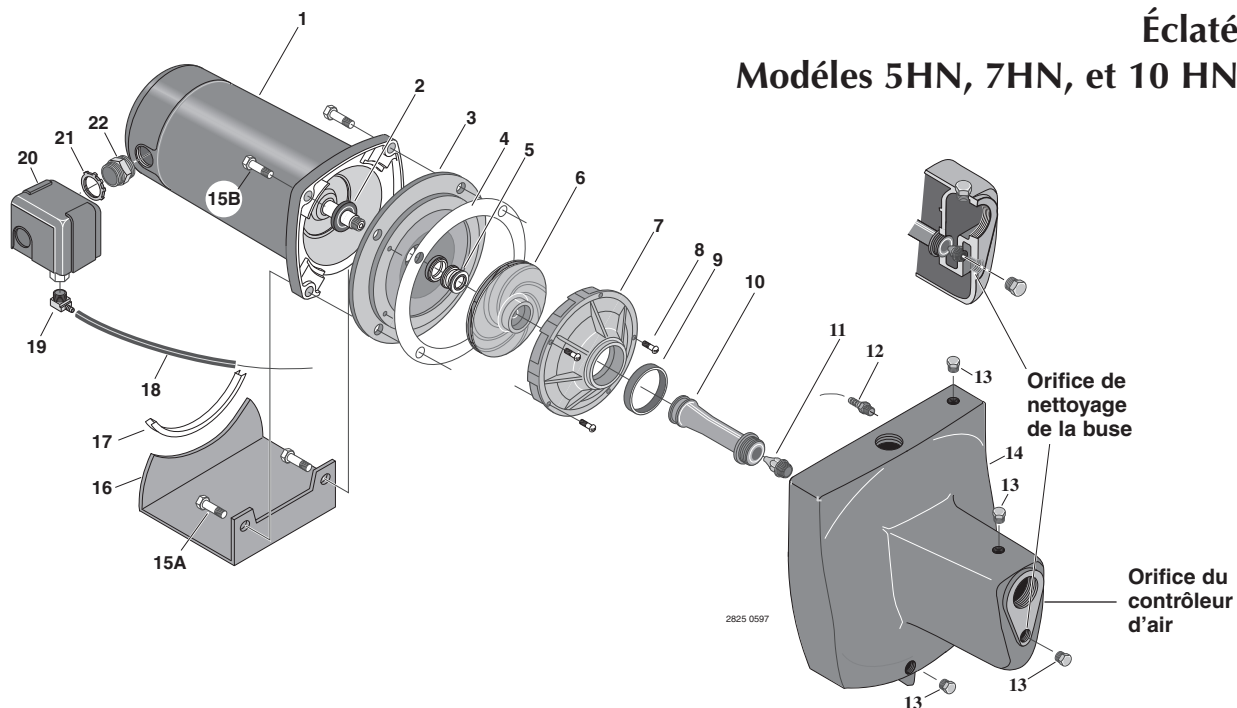
Réf. no.	Désignation des pièces	Nbre utilisé	Modèle et puissance			
			5SN 1/2 ch	7SN 3/4 ch	10SN 1 ch	15SN 1-1/2 ch
1	Moteur	1	J218-582APKG	J218-590PKG	J218-596PKG	J218-601PKG
2	Vis à chapeau à tête hexagonale de 3/8 de po - 16 x 1-1/4 po de long	4	U30-75ZP	U30-75ZP	U30-76ZP	U30-76ZP
#§3	Défecteur d'eau	1	17351-0009	17351-0009	17351-0009	17351-0009
4	Plaque d'étanchéité	1	N3-1043P	N3-1043P	L3-10	L3-10
#§5	Joint de la plaque d'étanchéité	1	N20-35	N20-35	C20-21	C20-21
#§6	Joint d'arbre	1	U109-6A	U109-6A	U109-6A	U109-6A
#7	Impulseur	1	J105-40P	J105-42P	J105-8PAN	J105-22PA
#8	Diffuseur	1	L1-25P	L1-25P	L1-23P	L1-23P
•	Vis du diffuseur	3	-	-	U30-489SS	U30-489SS
#§9	Bague du diffuseur	1	N20-34	N20-34	L21-1	L21-1
10	Branchement rapide - 1/4 de po	1	U11-217P	U11-217P	U11-217P	U11-217P
11	Corps de la pompe	1	N176-43G	N176-43GB	N176-44G	N176-44GA
11A	Venturi	(1)	N32P-66	N32P-75	N32P-64	N32P-65
11B	Buse	(1)	N34P-17	N34P-21	J34P-44	J34P-44
12	Bouchon fileté - 1/4 de po, à tête hexagonale	4	U78-941ZPV	U78-941ZPV	U78-941ZPV	U78-941ZPV
13	Socle	1	J4-9	J4-9	J104-9C	J104-9C
14	Support en caoutchouc	1	C35-5	C35-5	C35-5	C35-5
15	Tube de 3/8 de po de diamètre extérieur x 14-1/2 po de long	1	U37-672P	U37-672P	U37-677P	U37-677P
16	Coude à branchement rapide - 1/4 de po	1	U11-218P	U11-218P	U11-218P	U11-218P
17	Manocontacteur	1	U217-1225	U217-1225	U217-1225	U217-1225
18	Écrou de 1/2 po	1	U36-112ZP	U36-112ZP	U36-112ZP	U36-112ZP
19	Connector	1	L43-5C	L43-5C	L43-5C	L43-5C

NÉCESSAIRES DE RÉPARATION

§ Nécessaire de joints et de bagues d'étanchéité	PP1550	PP1550	PP1551	PP1551
# Nécessaire de révision	PP1560	PP1561	PP1563	PP1554

NOTA : § Font partie du nécessaire de joints et de bagues d'étanchéité.
Font partie du nécessaire de révision.

Éclaté Modèles 5HN, 7HN, et 10 HN



LISTE DES PIÈCES DE RECHANGE

Réf. no.	Désignation des pièces	Nbre utilisé	Modèle et puissance		
			5HN 1/2 ch	7HN 3/4 ch	10HN 1 ch
1	Moteur	1	J218-590PKG	J218-596PKG	J218-601PKG
#§2	Défecteur d'eau	1	17351-0009	17351-0009	17351-0009
3	Plaque d'étanchéité	1	N3-1043P	L3-10	L3-10
#§4	Joint de la plaque d'étanchéité	1	N20-35	C20-21	C20-21
#§5	Joint d'arbre	1	U109-6A	U109-6A	U109-6A
#6	Impulseur	1	J105-42P	J105-8PAN	J105-22PA
#7	Volute Diffuser Assembly	1	L1-25P	L1-23P	L1-23P
8	Vis	3	-	U30-489SS	U30-489SS
#§9	Bague du diffuseur	1	N20-34	L21-1	L21-1
10	Venturi	(1)	N32P-75	N32P-64	N32P-65
11	Buse	(1)	N34P-21	J34P-44	J34P-44
12	Branchement rapide - 1/4 de po	1	U11-217P	U11-217P	U11-217P
13	Bouchon fileté - 1/4 de po, à tête hexagonale	4	U78-941ZP	U78-941ZPV	U78-941ZP
14	Corps de la pompe	1	N176-43GB	N176-44G	N176-44GA
15A	Vis à chapeau à tête de 3/8 de po - 16 x 1-1/2 po de long*	2	U30-75ZP	U30-76ZP	U30-76ZP
15B	Vis à chapeau à tête de 3/8 de po - 16 x 1-1/4 po de long	2	U30-75ZP	U30-75ZP	U30-75ZP
16	Socle	1	J4-9	J104-9C	J104-9C
17	Support en caoutchouc	1	C35-5	C35-5	C35-5
18	Tube de 3/8 de po de diamètre extérieur x 14-1/2 po de long	1	U37-672P	U37-672P	U37-677P
19	Coude à branchement rapide - 1/4 de po	1	U11-218P	U11-218P	U11-218P
20	Manocontacteur	1	U217-1216	U217-1216	U217-1216
21	Écrou de 1/2 po	1	U36-112ZP	U36-112ZP	U36-112ZP
22	Connector	1	L43-5C	L43-5C	L43-5C

* 1 1/4 pouce de long dans le cas du modèle 5HN.

NÉCESSAIRES DE RÉPARATION

§ Nécessaire de joints et de bagues d'étanchéité	PP1550	PP1551	PP1551
# Nécessaire de révision	PP1561	PP1564	PP1564
NOTA : § Font partie du nécessaire de joints et de bagues d'étanchéité. # Font partie du nécessaire de révision.			

SYMPTÔMES	CAUSES PROBABLES	REMÈDES
Le moteur ne tourne pas	<p>Le sectionneur est ouvert.</p> <p>Le fusible est sauté ou le disjoncteur est déclenché.</p> <p>L'interrupteur de démarrage est défectueux.</p> <p>Les fils côté moteur sont desserrés, débranchés ou mal branchés.</p> <p>Les contacts du manocontacteur sont sales.</p>	<p>S'assurer que le sectionneur est enclenché.</p> <p>Remplacer le fusible ou réenclencher le disjoncteur.</p> <p>COUPER L'ARRIVÉE DE COURANT; remplacer l'interrupteur de démarrage.</p> <p>Se reporter aux instructions sur le câblage (page 20). COUPER L'ARRIVÉE DE COURANT; vérifier tout le câblage et le resserrer.</p> <p>⚠ AVERTISSEMENT La tension du condensateur peut être dangereuse. Pour décharger le condensateur du moteur, tenir un tournevis à manche isolé PAR LE MANCHE et mettre en court-circuit les bornes du condensateur. Ne pas toucher la lame métallique du tournevis ni les bornes du condensateur. En cas de doutes, consulter un électricien qualifié.</p> <p>COUPER L'ARRIVÉE DE COURANT et nettoyer les contacts avec un morceau de feuille émeri ou une lame à ongles.</p>
Le moteur chauffe et le dispositif de protection contre les surcharges se déclenche.	<p>Le moteur est mal branché.</p> <p>La tension est trop faible.</p> <p>La pompe se met en marche trop fréquemment.</p>	<p>Se reporter aux instructions concernant le câblage.</p> <p>S'adresser à la compagnie d'électricité. Poser un câblage plus gros si le diamètre des fils est trop petit (voir Électricité/Tableau de câblage).</p> <p>Voir la section ci-dessous en cas de démarrages trop fréquents.</p>
Le moteur fonctionne mais l'eau n'est pas pompée*	<p>Dans une installation nouvelle, la pompe ne s'est pas amorcée à cause :</p> <ol style="list-style-type: none"> 1. d'un mauvais amorçage; 2. de prises d'air; 3. de fuites du clapet anti-retour ou du clapet de pied. <p>La pompe s'est désamorcée :</p> <ol style="list-style-type: none"> 1. à cause de prises d'air; 2. parce que le niveau d'eau est plus bas que la prise d'eau du tuyau d'aspiration. <p>Le clapet de pied ou la crépine sont bouchés.</p> <p>L'éjecteur ou l'impulseur sont bouchés.</p> <p>S'assurer que le clapet anti-retour ou que le clapet de pied ne sont pas grippés en position fermée.</p> <p>Les tuyauteries sont gelées.</p> <p>Le clapet de pied et/ou la trémie sont enfouis dans le sable ou la boue.</p> <p>Le niveau de l'eau est trop bas pour que le puits peu profond débite de l'eau.</p>	<p>Dans le cas d'une installation neuve :</p> <ol style="list-style-type: none"> 1. Réamorcer la pompe conformément aux instructions. 2. Vérifier tous les raccords de la conduite d'aspiration, le contrôleur d'air et l'éjecteur. 3. Remplacer le clapet de pied ou le clapet anti-retour. <p>Dans le cas d'une installation déjà en utilisation :</p> <ol style="list-style-type: none"> 1. Vérifier tous les raccords de la conduite d'aspiration et le joint de l'arbre. 2. Abaisser la conduite d'aspiration dans l'eau et réamorcer la pompe. Si, dans le puits, l'abaissement du niveau d'eau dépasse la hauteur géométrique d'aspiration, il faudra utiliser une pompe pour puits profond. <p>Nettoyer le clapet de pied ou la crépine.</p> <p>Nettoyer l'éjecteur ou l'impulseur.</p> <p>Remplacer le clapet anti-retour ou le clapet de pied.</p> <p>Dégeler les tuyauteries. Enterrer les tuyauteries sous la limite de gel. Chauffer la fosse ou le bâtiment où se trouve la pompe.</p> <p>Relever le clapet de pied et/ou la trémie plus haut que la source d'eau. Nettoyer le clapet de pied et la trémie.</p> <p>Un éjecteur pour puits peu profond est peut-être requis (plus de 25 mètres jusqu'à l'eau) pour obtenir un débit d'eau.</p>
La pompe ne pompe pas l'eau à pleine capacité.	<p>Le niveau de l'eau du puits est plus bas que celui estimé.</p> <p>La tuyauterie en acier (le cas échéant) est corrodée ou bouchée par la chaux, ce qui cause un frottement excessif.</p> <p>Le diamètre de la tuyauterie est trop petit.</p> <p>Pointe filtrante bouchée.</p>	<p>Un éjecteur pour puits peu profond est peut-être requis (plus de 7,6 mètres (25 pieds) jusqu'à l'eau) pour obtenir un débit d'eau.</p> <p>Dans la mesure du possible, remplacer le tuyau par un tuyau en plastique, sinon poser un tuyau en acier neuf.</p> <p>Utiliser une tuyauterie de plus grand diamètre.</p> <p>Laver à contre-courant la pointe filtrante ou la remplacer par une neuve.</p>
La pompe pompe l'eau mais ne s'arrête pas ou bien elle fonctionne trop fréquemment.	<p>Le manocontacteur est déréglé ou bien ses contacts sont soudés ensemble.</p> <p>Les robinets sont restés ouverts.</p> <p>Le venturi, la buse ou l'impulseur sont bouchés.</p> <p>Le niveau d'eau du puits profond est inférieur au niveau estimé.</p> <p>Le réservoir sous pression standard est saturé d'eau et n'a plus de coussin d'air.</p> <p>Fuite des tuyaux.</p> <p>Fuite du clapet de pied.</p> <p>La charge d'air du réservoir préchargé est trop basse.</p>	<p>COUPER L'ARRIVÉE DE COURANT; régler le manocontacteur ou le remplacer.</p> <p>Les fermer.</p> <p>Nettoyer le venturi, la buse ou l'impulseur.</p> <p>Remplacer la buse et le venturi par la bonne combinaison en fonction du puits.</p> <p>Vider le réservoir jusqu'à l'orifice du contrôleur d'air. S'assurer que le contrôleur d'air ne montre pas de défauts. S'assurer qu'il n'y a pas de prises d'air à aucun raccord.</p> <p>Vérifier les raccords.</p> <p>Remplacer le clapet de pied.</p> <p>COUPER L'ARRIVÉE DE COURANT et ouvrir les robinets jusqu'à ce que toute la pression soit dissipée. À l'aide d'un manomètre de pneu, vérifier la pression d'air dans le réservoir par la tige de la valve qui se trouve sur le réservoir. Si la pression est inférieure au réglage de déclenchement du manocontacteur (30 à 50 lb/po²), pomper de l'air dans le réservoir à partir d'une source extérieure jusqu'à ce que la pression d'air soit de 2 lb/po² inférieure au réglage de déclenchement du manocontacteur. S'assurer que la valve ne fuit pas (utiliser une solution savonneuse pour cela) et, au besoin, remplacer l'obus de la valve.</p>
L'air jaillit des robinets.	<p>La pompe s'amorce.</p> <p>Fuite du côté aspiration de la pompe.</p> <p>Le puits est gazeux.</p> <p>Surpompage intermittent du puits. (L'eau est pompée plus bas que le clapet de pied.)</p>	<p>Lorsque la pompe s'amorcera, tout l'air sera éjecté.</p> <p>Le tuyau d'aspiration aspire de l'air. Vérifier tous les raccords à la recherche de fuite avec de l'eau savonneuse.</p> <p>S'adresser à l'usine concernant l'installation d'un manchon dans le puits.</p> <p>Dans la mesure du possible, abaisser le clapet de pied, sinon limiter le refoulement de la pompe.</p>