



## stainless steel centrifugal pumps



*The SSCX Series Centrifugal Pumps feature high-head performance and quiet operation. These pumps are remarkably versatile and have corrosion-resistant dependability.*

### APPLICATIONS

- Ideal choice for a wide range of pump applications and varying temperature conditions

### SPECIFICATIONS

- Pump Body** – Stainless steel
- Impeller** – Noryl®
- Multiple Seal Options**

## SSCX SERIES

### FEATURES

**Stainless Steel Housing and Shaft** – Maximum corrosion resistance in chemical as well as water applications; smooth flow path assures quiet operation.

**High Temperature Rating** – The SSCX Series centrifugal pumps are designed for temperatures up to 185°F.

**Mechanical Shaft Seal** – Precision lapped and highly polished carbon-ceramic, stainless steel construction with buna elastomers; delivers long-life reliability.

**Multiple Seal Options** – Choice of three seal options to meet a wide variety of pump applications.

- The standard seal in a SSCX Series is a Buna carbon/ceramic. The volute uses a Buna O-ring to seal the pumping chamber sections.
- Viton with carbon/ceramic faces, includes Viton O-ring change out in pump volute.
- Viton with carbon/silicon carbide faces, includes Viton O-ring change out in pump volute.

**Noryl® Composite Impeller** – Precision molded for perfect balance and lasting quality; ultra-smooth flow ports maximize performance and efficiency. 304SS impeller insert for increased durability.

**Drain/Vent Ports** – Priming and draining is easier, faster.

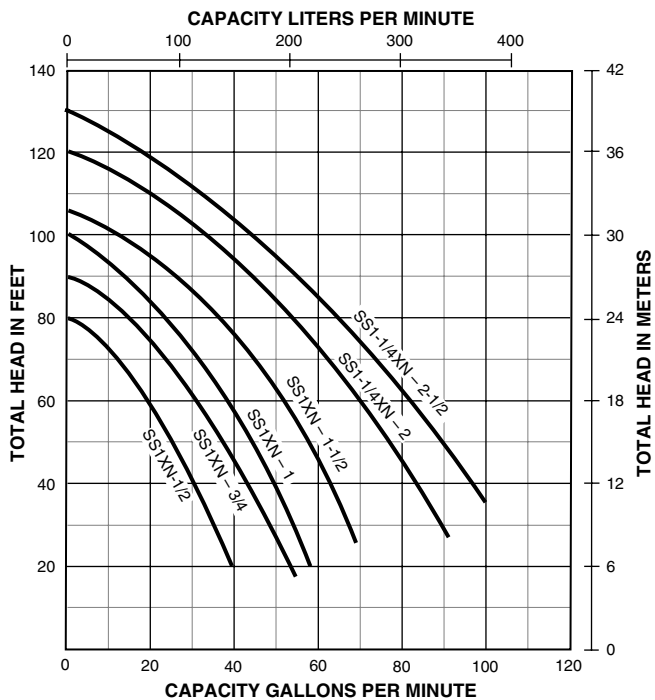
BERKELEY® is a registered trademark of Pentair Water. Noryl® is a registered trademark of General Electric Co. In order to provide the best products possible, specifications are subject to change.



# stainless steel centrifugal pumps

ORDERING INFORMATION								
Model Number	Catalog Number	HP	Suction	Discharge	Motor Voltage	Phase	Enclosure	Approx. Wt. Lbs.
SS1XN-1/2	B78635	1/2	1-1/4"	1"	115/230	1	ODP	29
	B78636				230/460	3	ODP	29
	B78647				115/230	1	TEFC	32
	B78648				230/460	3	TEFC	32
SS1XN-3/4	B78637	3/4	1-1/4"	1"	115/230	1	ODP	38
	B78638				230/460	3	ODP	38
	B78649				115/230	1	TEFC	41
	B78650				230/460	3	TEFC	41
SS1XN-1	B78639	1	1-1/4"	1"	115/230	1	ODP	47
	B78640				230/460	3	ODP	47
	B78651				115/230	1	TEFC	50
	B78652				230/460	3	TEFC	50
SS1XN-1-1/2	B78641	1-1/2	1-1/4"	1"	115/230	1	ODP	62
	B78642				230/460	3	ODP	62
	B78653				115/230	1	TEFC	65
	B78654				230/460	3	TEFC	65
SS1-1/4XN-2	B78643	2	1-1/2"	1-1/4"	230	1	ODP	77
	B78644				230/460	3	ODP	77
	B78655				230	1	TEFC	80
	B78656				230/460	3	TEFC	80
SS1-1/4XN-2-1/2	B78645	2-1/2	1-1/2"	1-1/4"	230	1	ODP	90
	B78646				230/460	3	ODP	90
	B78657				230	1	TEFC	93
	B78658				230/460	3	TEFC	93

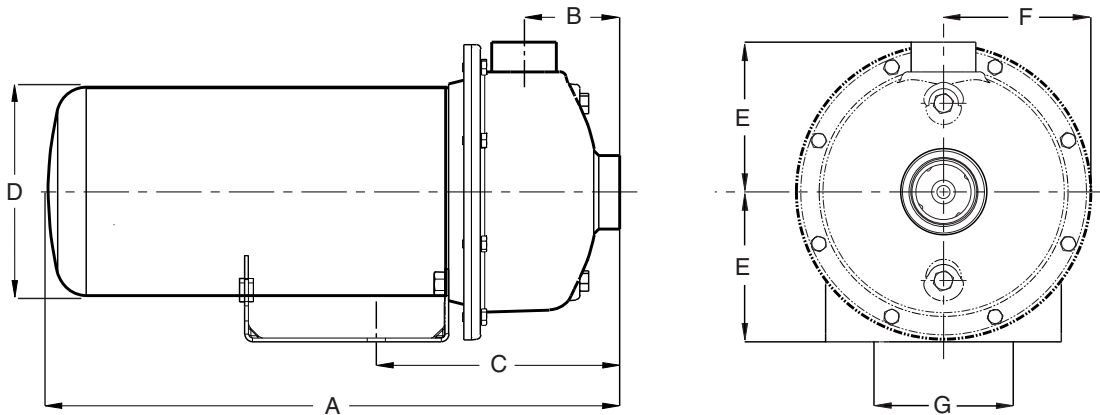
## PUMP PERFORMANCE





# stainless steel centrifugal pumps

## OUTLINE DIMENSIONS



Dimensions (in inches) are for estimating purposes only.

DIMENSIONS IN INCHES – SSCX ODP										
HP	NPT Suct.	NPT Disch.	A (1 phase)	A (3 phase)	B	C	D	E	F	G
1/2	1-1/4	1	13.2	13.5	2.43	6.51	5.63	4.13	4.06	4.875
3/4	1-1/4	1	13.2	13.5	2.43	6.51	5.63	4.13	4.06	4.875
1	1-1/4	1	14.2	14.0	2.43	6.51	5.63	4.13	4.06	4.875
1-1/2	1-1/4	1	14.5	14.5	2.43	6.51	5.63	4.13	4.06	4.875
2	1-1/2	1-1/4	16.0	15.7	2.63	6.71	5.63	4.13	4.06	4.875
2-1/2	1-1/2	1-1/4	16.9	16.4	2.63	6.71	5.63	4.13	4.06	4.875
DIMENSIONS IN INCHES – SSCX TEFC										
1/2	1-1/4	1	14.0	14.2	2.43	6.51	6.44	4.13	4.06	4.875
3/4	1-1/4	1	14.9	14.2	2.43	6.51	6.44	4.13	4.06	4.875
1	1-1/4	1	15.7	15.2	2.43	6.51	6.44	4.13	4.06	4.875
1-1/2	1-1/4	1	16.2	15.2	2.43	6.51	6.44	4.13	4.06	4.875
2	1-1/2	1-1/4	16.4	16.4	2.63	6.71	6.44	4.13	4.06	4.875
2-1/2	1-1/2	1-1/4	16.9	16.4	2.63	6.71	6.44	4.13	4.06	4.875

