

SSCX SERIES CENTRIFUGAL PUMPS
STAINLESS-STEEL CONSTRUCTION

**STAINLESS
STEEL
OR NORYL
IMPELLER**



REMARKABLE RELIABILITY

High-head performance and quiet operation join corrosion-resistant dependability with Berkeley SSCX Series centrifugal pumps. In addition, the SSCX Series features:

Stainless-Steel Housing and Shaft – Maximum corrosion resistance in chemical as well as water applications; smooth flow path assures quiet operation.

High-Temperature Rating – The SSCX Series centrifugal pump (with 304 SS Impeller) is designed for temperatures to 250°F, making it an ideal choice for a wide range of pump applications and varying temperature conditions. The Noryl® impeller is rated to a maximum operating temperature of 185°F.

Mechanical Shaft Seals – Choice of seal options to meet your application needs. All are precision lapped and highly polished for long life and reliability.

Impeller Options – 304 Stainless Steel or precision-molded Noryl® feature ultra-smooth flow ports to maximize performance and efficiency.

Drain/Vent Ports – Priming and draining is easier, faster.

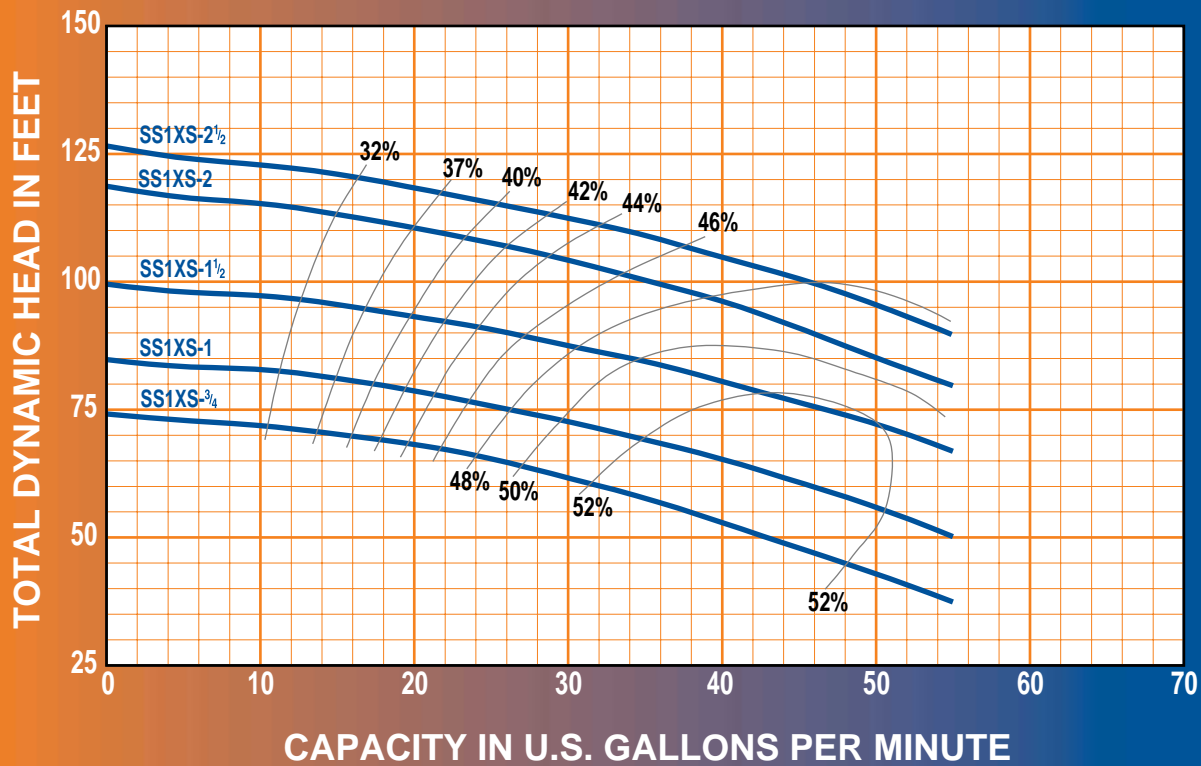


Typical Applications

- Water Circulation
- Booster Service
- Liquid Transfer
- Spray Systems
- Jockey Pumps
- OEM Applications

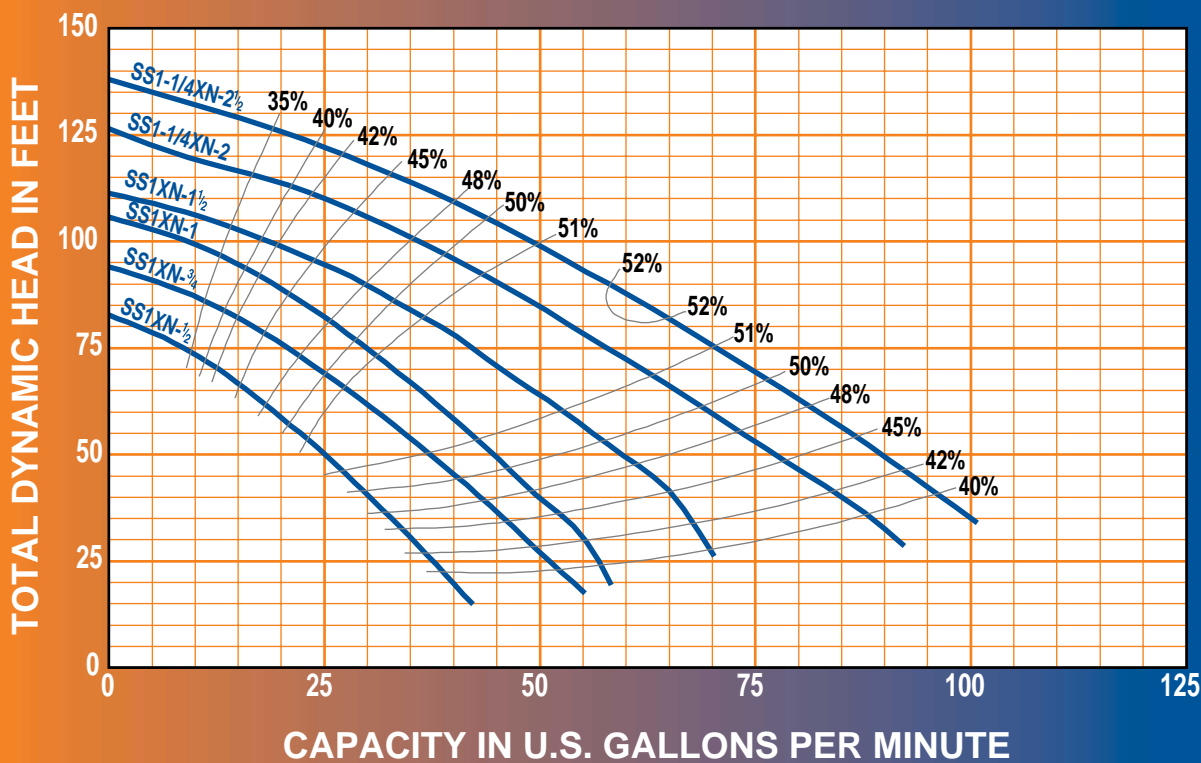
304 S.S. / 304 S.S. IMPELLER

SSCX_S SERIES (SS IMPELLER)



304 S.S. / NORYL® IMPELLER

SSCX_N SERIES (NORYL IMPELLER)

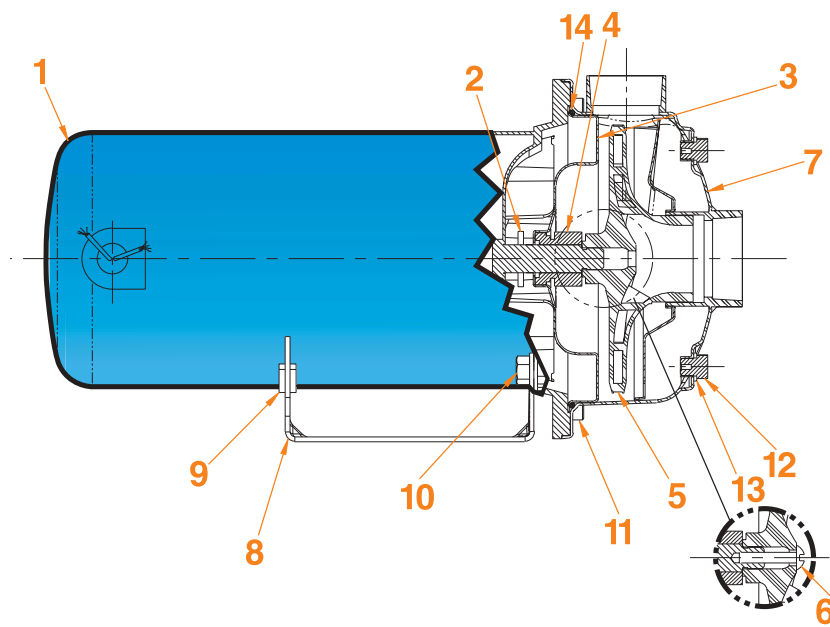


ANCE & VERSATILITY

SS Impeller									
Model Number	HP	Voltage/ Phase	Enclosure	Mech. Seal (std.)	Suction Size	Discharge Size	Impeller Diameter	Motor Amps. (max.)	Lbs/Kg
SS1XS-3/4	3/4	115/230-1	ODP	2*	1-1/4"	1"	4-1/4"	14.8/7.4	25/12
		208-230/460-3						3.6/1.8	23/11
		115/230-1	TEFC	4*				14.2/7.1	37/17
		208-230/460-3						3.6/6.8	32/15
SS1XS-1	1	115/230-1	ODP	2*	1-1/4"	1"	4-9/16"	19.2/9.6	27/13
		208-230/460-3						4.7/2.35	28/14
		115/230-1	TEFC	4*				18.0/9.0	40/18
		208-230/460-3						4.8/2.4	35/16
SS1XS-1-1/2	1-1/2	115/230-1	ODP	2*	1-1/4"	1"	5"	24.0/12.0	32/15
		208-230/460-3						6.8/3.4	28/14
		115/230-1	TEFC	4*				11.7	50/23
		208-230/460-3						6.0/3.0	37/17
SS1XS-2	2	115/230-1	ODP	2*	1-1/4"	1"	5-1/2"	26.0/13.0	36/16
		208-230/460-3						8.5/4.25	31/14
		230-1	TEFC	4*				11.7	52/24
		230/460-3						7.0/3.5	46/21
SS1XS-2-1/2	2-1/2	230-1	ODP	2*	1-1/4"	1"	5-3/4"	26.0/13.0	37/17
		208-230/460-3						8.5/4.25	33/15
		230-1	TEFC	4*				11.7	55/25
		230/460-3						7.0/3.5	46/21

Model Number	HP	Voltage/ Phase	Enclosure	Mech. Seal (std.)	Suction Size	Discharge Size	Impeller Diameter	Motor Amps. (max.)	Lbs/Kg
SS1XN-1/2	1/2	115/230-1	ODP	1*	1-1/4"	1"	4-3/4"	8.8/4.4	22/10
		208-230/460-3						2.3/1.15	26/12
		115/230-1	TEFC	1*				8.2/4.1	32/15
		208-230/460-3						2.2/1.1	29/13
SS1XN-3/4	3/4	115/230-1	ODP	1*	1-1/4"	1"	5"	12.4/6.2	25/12
		208-230/460-3						3.1/1.55	27/13
		115/230-1	TEFC	1*				11.6/5.8	37/17
		208-230/460-3						2.9/1.45	32/15
SS1XN-1	1	115/230-1	ODP	1*	1-1/4"	1"	5-1/4"	14.8/7.4	27/13
		208-230/460-3						3.6/1.8	28/13
		115/230-1	TEFC	1*				14.2/7.1	40/18
		208-230/460-3						3.6/1.8	35/16
SS1XN-1-1/2	1-1/2	115/230-1	ODP	1*	1-1/4"	1"	5-5/16"	19.2/9.6	32/15
		208-230/460-3						4.7/2.35	28/13
		115/230-1	TEFC	1*				18.0/9.0	50/23
		208-230/460-3						4.8/2.4	37/17
SS1-1/4XN-2	2	115/230-1	ODP	1*	1-1/2"	1-1/4"	5-7/8"	24.0/12.0	36/16
		208-230/460-3						6.8/3.4	31/14
		230-1	TEFC	1*				10.4	52/24
		230/460-3						6.0/3.0	46/21
SS1-1/4XN-2-1/2	2-1/2	230-1	ODP	1*	1-1/2"	1-1/4"	6-1/8"	24.0/12.0	37/17
		230/460-3						8.5/4.25	33/15
		230-1	TEFC	1*				11.7	55/25
		230/460-3						7.3/3.65	46/21

DURABLE LONG-LIFE CONSTRUCTION





Member of
Hydraulic
INSTITUTE

RELAX,
IT'S A BERKELEY™