



high-pressure booster pumps




(Single-phase
ODP models only)

The MGP/MGPS Booster Pumps are the most durable booster pump available. The SignaSeal™ floating impeller design minimizes thrust loads allowing for continuous operation without damage to motor bearings, mechanical seal or pump hydraulic components.

APPLICATIONS

- Residential, commercial or agricultural pressure washing
- Booster and spray systems
- Filtration and reverse osmosis
- HVAC
- General purpose pumping

SPECIFICATIONS

- Max. Inlet Pressure** – 80 PSI
- Max. Working Pressure** – 315 PSI
- Max. Suction Lift** – 15 feet
- Max. Liquid Temperature Limits** – Prolonged use with liquids above 140° F is not recommended.
- Discharge** –
MGP Series: cast iron
MGPS Series: stainless steel
- Motor Adapter and Base** –
MGP Series: cast iron
MGPS Series: stainless steel
- Shell** – Stainless steel 304 grade
- Impeller** – Acetal
- Diffuser** – Polycarbonate
- Shaft** – Stainless steel 304 grade
- O-Rings** – Buna-N
- Mechanical Seal** – Carbon/ceramic, Buna-N

MGP/MGPS SERIES

FEATURES

- Multi-Stage Design** – Abrasion and dry-run resistant
- Acetal Impellers** – Precision-molded for perfect balance... ultra-smooth for highest performance and efficiency.
- Precision Molded Diffusers** – Superior performance with high resistance to corrosion and abrasion
- Mechanical Shaft Seal** – Precision lapped and highly polished carbon-ceramic, stainless steel construction. Internal design guarantees continuous water lubrication.
- Motor Windings** – Superior insulation materials protect against excessive moisture and contaminants... assure prolonged motor life
- Balanced Rotor** – Die cast under high pressures for uniform performance and greater efficiency; dynamically balanced
- Heavy-duty Ball Bearings** – Shielded, permanently lubricated bearings, extensively tested to ensure extended life and smooth, quiet operation.
- Pump and Motor Shaft** – Stainless steel for maximum corrosion resistance; one-piece threaded shaft for positive impeller drive
- Dustproof Cover** – All electrical components are protected from dirt, dust and insects by a dustproof canopy; ventilating air cannot contaminate.

BERKELEY® is a registered trademark of Pentair Water.

In order to provide the best products possible, specifications are subject to change.



high-pressure booster pumps

ORDERING INFORMATION

| Catalog Number | | GPM | HP | Phase | Stages | Pipe Tapping Sizes | | Motor Voltage | Shipping Wt. (lbs.) |
|----------------|-----------------|-----|-------|-------|--------|--------------------|--------|---------------|---------------------|
| Cast Iron | Stainless Steel | | | | | Inlet | Outlet | | |
| MGP7C | MGPS7C | 7 | 1/2 | 1 | 9 | 3/4" | 3/4" | 115/230 | 42 |
| MGP7C3 | MGPS7C3 | | 1/2 | 3 | 9 | 3/4" | 3/4" | 208-230/460 | 42 |
| MGP7D | MGPS7D | | 3/4 | 1 | 12 | 3/4" | 3/4" | 115/230 | 48 |
| MGP7D3 | MGPS7D3 | | 3/4 | 3 | 12 | 3/4" | 3/4" | 208-230/460 | 48 |
| MGP7E | MGPS7E | | 1 | 1 | 16 | 3/4" | 3/4" | 115/230 | 59 |
| MGP7E3 | MGPS7E3 | | 1 | 3 | 16 | 3/4" | 3/4" | 208-230/460 | 59 |
| MGP10C | MGPS10C | 10 | 1/2 | 1 | 6 | 3/4" | 3/4" | 115/230 | 40 |
| MGP10C3 | MGPS10C3 | | 1/2 | 3 | 6 | 3/4" | 3/4" | 208-230/460 | 40 |
| MGP10D | MGPS10D | | 3/4 | 1 | 8 | 3/4" | 3/4" | 115/230 | 46 |
| MGP10D3 | MGPS10D3 | | 3/4 | 3 | 8 | 3/4" | 3/4" | 208-230/460 | 46 |
| MGP10E | MGPS10E | | 1 | 1 | 10 | 3/4" | 3/4" | 115/230 | 57 |
| MGP10E3 | MGPS10E3 | | 1 | 3 | 10 | 3/4" | 3/4" | 208-230/460 | 57 |
| MGP10F | MGPS10F | | 1-1/2 | 1 | 14 | 3/4" | 3/4" | 230 | 71 |
| MGP10F3 | MGPS10F3 | | 1-1/2 | 3 | 14 | 3/4" | 3/4" | 208-230/460 | 71 |
| MGP10G | MGPS10G | | 2 | 1 | 16 | 3/4" | 3/4" | 230 | 79 |
| MGP10G3 | MGPS10G3 | | 2 | 3 | 16 | 3/4" | 3/4" | 208-230/460 | 79 |
| MGP20E | MGPS20E | 20 | 1 | 1 | 7 | 1" | 1" | 115/230 | 55 |
| MGP20E3 | MGPS20E3 | | 1 | 3 | 7 | 1" | 1" | 208-230/460 | 55 |
| MGP20F | MGPS20F | | 1-1/2 | 1 | 9 | 1" | 1" | 230 | 68 |
| MGP20F3 | MGPS20F3 | | 1-1/2 | 3 | 9 | 1" | 1" | 208-230/460 | 68 |
| MGP20G | MGPS20G | | 2 | 1 | 11 | 1" | 1" | 230 | 74 |
| MGP20G3 | MGPS20G3 | | 2 | 3 | 11 | 1" | 1" | 208-230/460 | 74 |

NOTE: ODP motor is standard, for TEFC motors, contact Customer Service.

ORDERING INFORMATION

ACCESSORIES

| Pkg. No. | Description | Approx. Wt. Lbs. |
|---------------------------------|---|------------------|
| SUCTION | | |
| 83 | Suction hose – 3/4" 150 PSI hose, 6 ft. section with two (2) female hose fittings | 3 |
| 85 | Two (2) garden hose/NPT adapters – 3/4" NPT male to 3/4" garden hose male | 3 |
| 96 | Vacuum relief valve – 1/2" NPT | 2 |
| 150 PSI RATED* DISCHARGE | | |
| 84 | Discharge hose – 3/4" 150 PSI hose, 25 ft. section with male and female garden hose fittings | 10 |
| 86 | High pressure pistol grip nozzle with three (3) nozzles (No. 56, 50 and 49) | 2 |
| 315 PSI RATED* DISCHARGE | | |
| 162 | 25' of 1" ID hose with 3/4" male and female hose fittings 315 PSI rating | 15 |
| 194 | High pressure pistol grip nozzle with three (3) nozzles (No. 56, 50 and 49) rated for 500 PSI | 2 |

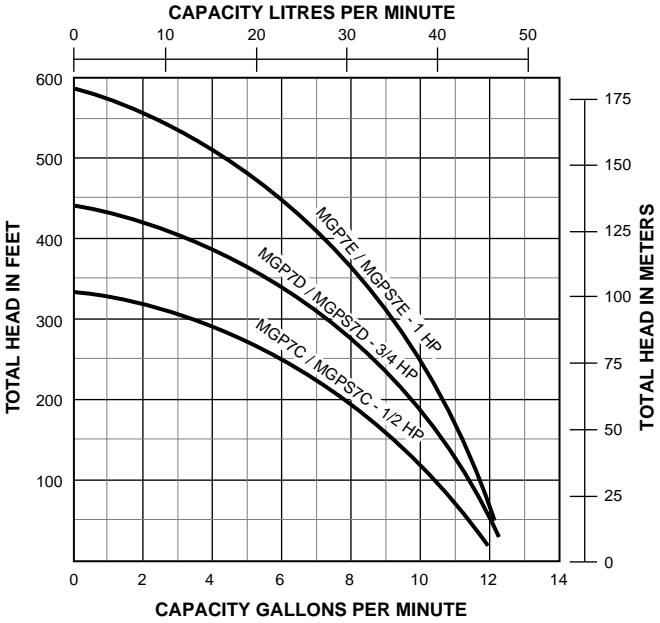
*To select proper discharge accessories for your pump, add incoming pressure to pump output pressure, to determine total discharge pressure.

Example: Incoming pressure 20 PSI + pump output pressure (MGP7C at 0 GPM, 300')
87 PSI = Total 150 PSI at discharge = 150 PSI rated discharge accessories

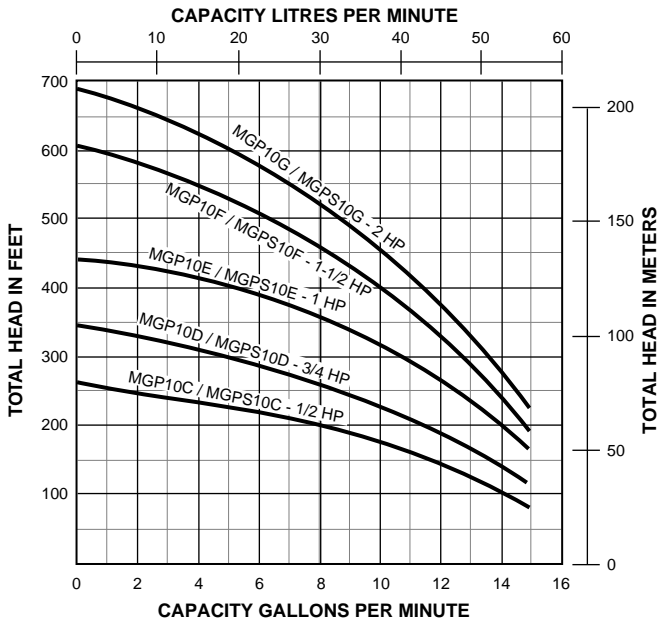


high-pressure booster pumps

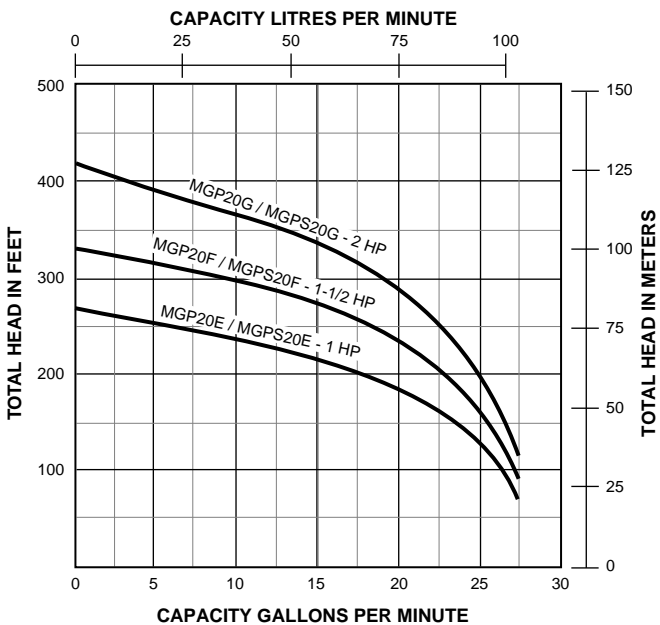
PUMP PERFORMANCE – 7 GPM



PUMP PERFORMANCE – 10 GPM



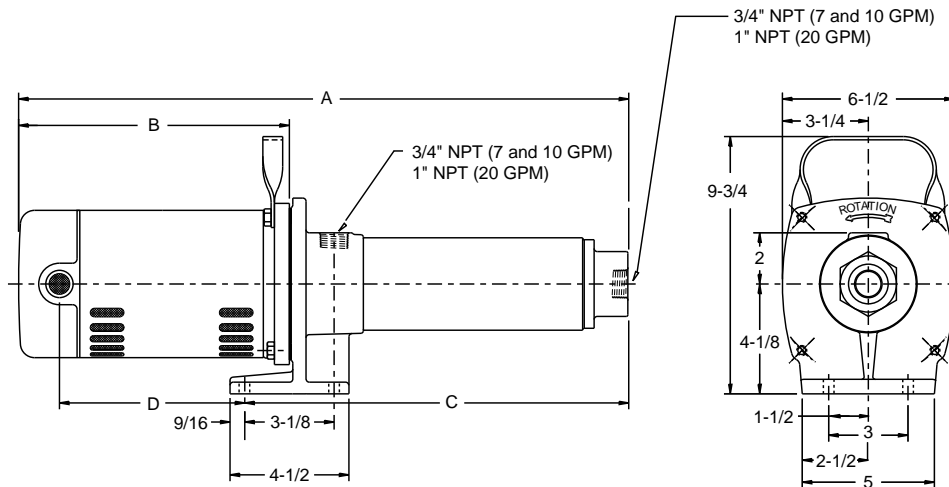
PUMP PERFORMANCE – 20 GPM





high-pressure booster pumps

OUTLINE DIMENSIONS



DIMENSIONS IN INCHES

CAST IRON

| Catalog Number | HP | A | B | C | D |
|----------------|-------|-------|-------|-------|-------|
| MGP7C | 1/2 | 24.28 | 10.38 | 15.76 | 6.68 |
| MGP7C3 | 1/2 | 26.41 | 9.88 | 18.39 | 6.68 |
| MGP7D | 3/4 | 27.41 | 10.88 | 18.39 | 7.69 |
| MGP7D3 | 3/4 | 30.41 | 10.38 | 21.89 | 7.28 |
| MGP7E | 1 | 31.91 | 11.88 | 21.89 | 8.69 |
| MGP7E3 | 1 | 22.15 | 10.88 | 13.13 | 7.68 |
| MGP10C | 1/2 | 22.87 | 11.60 | 13.13 | 8.44 |
| MGP10C3 | 1/2 | 21.15 | 9.88 | 13.13 | 6.68 |
| MGP10D | 3/4 | 24.99 | 11.97 | 14.88 | 8.81 |
| MGP10D3 | 3/4 | 25.15 | 10.38 | 16.63 | 7.28 |
| MGP10E | 1 | 27.80 | 13.03 | 16.63 | 9.87 |
| MGP10E3 | 1 | 24.78 | 10.88 | 15.76 | 7.68 |
| MGP10F | 1-1/2 | 31.18 | 13.78 | 19.26 | 10.31 |
| MGP10FG | 1-1/2 | 31.91 | 11.88 | 21.89 | 8.69 |
| MGP10G | 2 | 36.44 | 13.78 | 24.52 | 10.62 |
| MGP10G3 | 2 | 32.66 | 12.63 | 21.89 | 9.44 |
| MGP20E | 1 | 26.85 | 13.03 | 15.68 | 9.87 |
| MGP20E3 | 1 | 26.93 | 10.88 | 17.91 | 7.68 |
| MGP20F | 1-1/2 | 29.83 | 13.78 | 17.91 | 10.31 |
| MGP20F3 | 1-1/2 | 30.16 | 11.88 | 20.14 | 8.69 |
| MGP20G | 2 | 32.06 | 13.78 | 20.14 | 10.62 |
| MGP20G3 | 2 | 26.53 | 12.63 | 15.76 | 9.44 |

STAINLESS STEEL

| Catalog Number | HP | A | B | C | D |
|----------------|-------|-------|-------|-------|-------|
| MGPS7C | 1/2 | 25.39 | 11.60 | 15.65 | 8.44 |
| MGPS7C3 | 1/2 | 26.27 | 9.88 | 18.25 | 6.68 |
| MGPS7D | 3/4 | 28.36 | 11.97 | 18.25 | 8.81 |
| MGPS7D3 | 3/4 | 26.77 | 10.38 | 18.25 | 7.28 |
| MGPS7E | 1 | 31.89 | 11.97 | 21.78 | 8.81 |
| MGPS7E3 | 1 | 30.80 | 10.88 | 21.78 | 11.94 |
| MGPS10C | 1/2 | 22.76 | 11.60 | 13.02 | 8.44 |
| MGPS10C3 | 1/2 | 22.79 | 9.88 | 14.77 | 6.68 |
| MGPS10D | 3/4 | 24.88 | 11.97 | 14.77 | 8.81 |
| MGPS10D3 | 3/4 | 25.04 | 10.38 | 16.52 | 7.28 |
| MGPS10E | 1 | 27.69 | 13.03 | 16.52 | 9.87 |
| MGPS10E3 | 1 | 29.05 | 10.88 | 20.03 | 7.68 |
| MGPS10F | 1-1/2 | 31.95 | 13.78 | 20.03 | 10.31 |
| MGPS10F3 | 1-1/2 | 31.80 | 11.88 | 21.78 | 8.69 |
| MGPS10G | 2 | 33.70 | 13.78 | 21.78 | 10.62 |
| MGPS10G3 | 2 | 27.22 | 12.63 | 16.45 | 9.44 |
| MGPS20E | 1 | 26.74 | 13.03 | 15.57 | 9.87 |
| MGPS20E3 | 1 | 26.82 | 10.88 | 17.80 | 7.68 |
| MGPS20F | 1-1/2 | 29.72 | 13.78 | 17.80 | 10.31 |
| MGPS20F3 | 1-1/2 | 30.05 | 11.88 | 20.03 | 8.69 |
| MGPS20G | 2 | 31.95 | 13.78 | 20.03 | 10.62 |
| MGPS20G3 | 2 | 26.42 | 12.63 | 15.65 | 9.44 |

