

DISCHARGE 2" NPT, Female, Vertical

LIQUID TEMPERATURE

BP314 77°F (25°C) Continuous

BP324 104°F (40°C) Continuous

VOLUTE (BP) Cast Iron, (BP-BR) Bronze

MOTOR HOUSING (BP) Cast Iron, (BP-BR) Bronze

SEAL PLATE (BP) Cast Iron, (BP-BR) Bronze

IMPELLER: *Design* 2 Vane open, Dynamically Balanced, ISO G6.3

Material (BP) Polypropylene with stainless insert
(BP-BR) Bronze 81-3-7-9

SHAFT 416 Stainless Steel

SQUARE RINGS..... Buna-N

HARDWARE 300 Series Stainless Steel

PAINT Air Dry Enamel

SEAL: *Design* Single Mechanical, Oil-Filled Reservoir,
Secondary Exclusion Seal

Material Carbon/Ceramic/Buna-N

CORD ENTRY..... 15 ft. (5m) Quick Disconnect Cord with plug
On 115 volt, Pressure Grommet for sealing
and strain relief

UPPER BEARING..... Single Row, Ball, Oil Lubricated

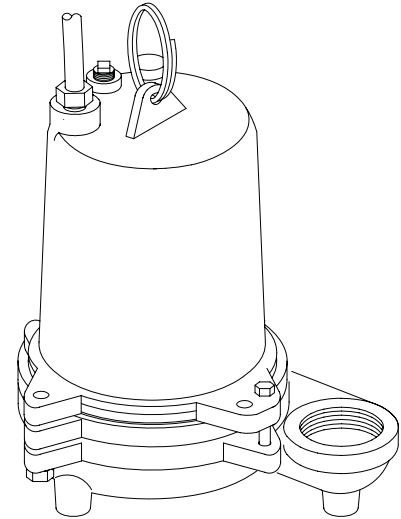
LOWER BEARING..... Single Row, Ball, Oil Lubricated

MOTOR, SINGLE PHASE Permanent Split Capacitor (PSC). Oil Filled.
Includes Overload Protection in Motor

Insulation..... Class B

LEVEL CONTROLS..... "A" - Wide Angle, PVC, Mechanical, 15 ft (5m)
cord with Piggy-Back Plug, N/O
"AU" - Wide Angle, Polypropylene, Mechanical,
N/O, Integral to pump. ON and OFF points are
adjustable
"VF" - Vertical Float, PVC, Snap Action,
15 ft (5m) cord, with Piggy-Back plug. OFF
point ONLY is adjustable

OPTIONAL EQUIPMENT Seal Material, Additional Cable, Bronze Impeller

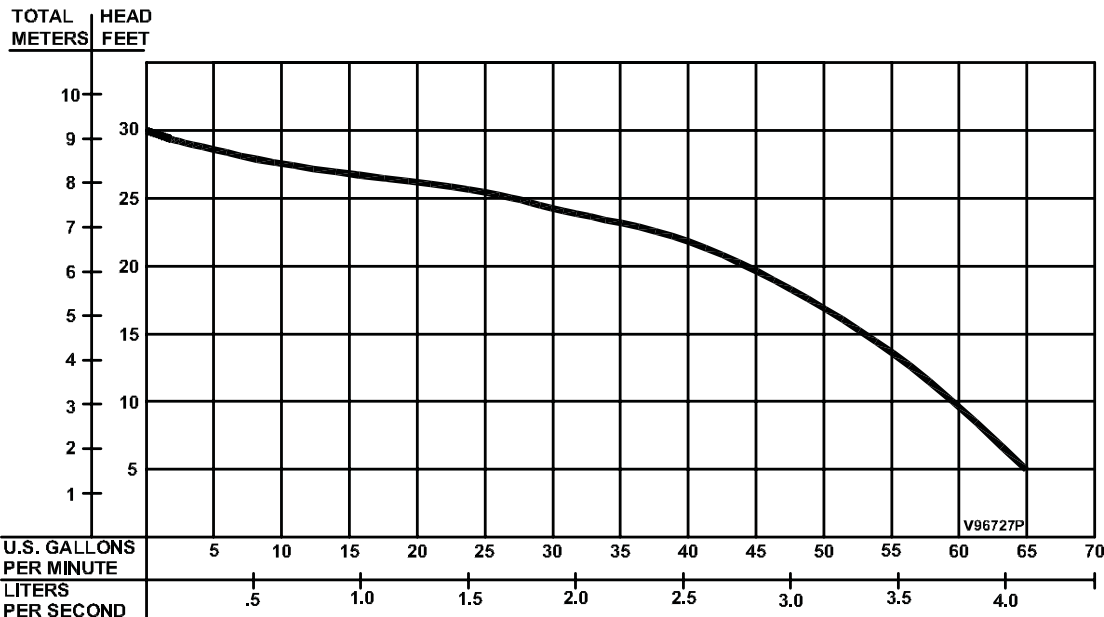


Series: BP314 & BP324
1/3HP, 1750RPM, 60Hz



CSA 108
UL 778
LR16567

DESCRIPTION:
GENERAL PURPOSE PUMP FOR RESIDENTIAL AND
LIGHT INDUSTRIAL SUMP APPLICATIONS



Testing is performed with water specific gravity of 1.0 @ 68°F (20°C), other fluids may vary performance

Series BP

3/4" Spherical Solids Handling
Manual & Automatic - Submersible

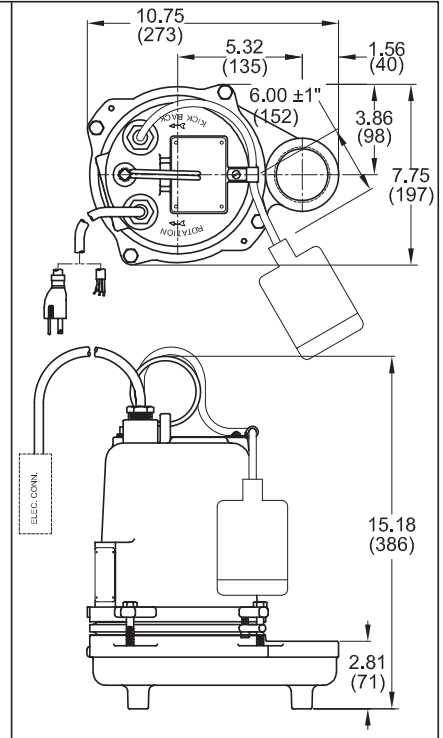
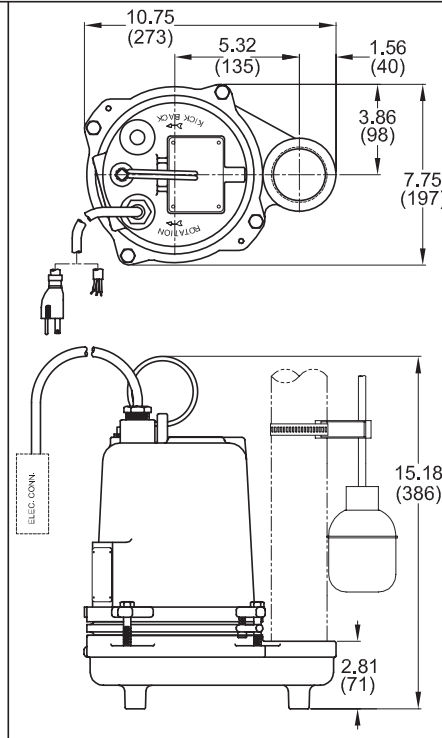
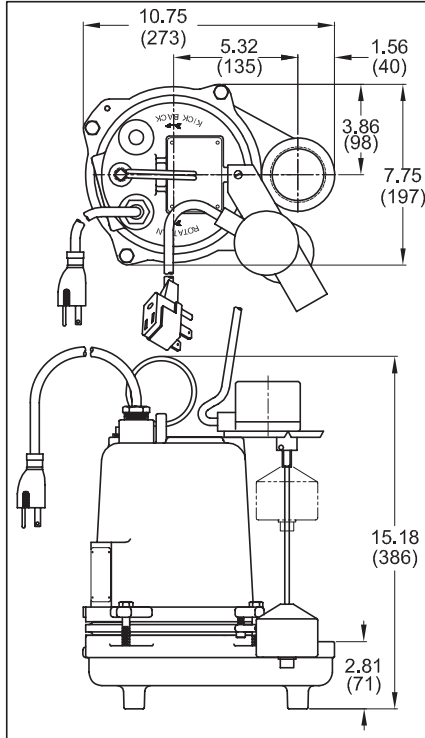
Sump Pumps

BP314VF, BP314VFBR

BP314A, BP314ABR,
BP314. BP314BR, BP324, BP324BR (Less Float)

BP314AU, BP314AUBR
BP324AU, BP324AUBR

inches
(mm)



MODEL NO	PART NO	HP	VOLT/PH	Hz	RPM (Nom)	NEMA START CODE	FULL LOAD AMPS	LOCKED ROTOR AMPS	CORD SIZE	CORD TYPE	CORD O.D inch (mm)
BP314	096727	1/3	115/1	60	1750	A	8.0	19.0	14/3	SJTOW	0.375 (9.5)
BP314A	096728	1/3	115/1	60	1750	A	8.0	19.0	14/3	SJTOW	0.375 (9.5)
BP314AU	096729	1/3	115/1	60	1750	A	8.0	19.0	14/3	SJTOW	0.375 (9.5)
BP314VF	100834	1/3	115/1	60	1750	A	8.0	19.0	14/3	SJTOW	0.375 (9.5)
BP314BR	096732	1/3	115/1	60	1750	A	8.0	19.0	14/3	SJTOW	0.375 (9.5)
BP314ABR	096733	1/3	115/1	60	1750	A	8.0	19.0	14/3	SJTOW	0.375 (9.5)
BP314AUBR	096734	1/3	115/1	60	1750	A	8.0	19.0	14/3	SJTOW	0.375 (9.5)
BP314VFBR	100835	1/3	115/1	60	1750	A	8.0	19.0	14/3	SJTOW	0.375 (9.5)
BP324	096730	1/3	230/1	60	1750	A	4.0	13.0	14/3	SJTOW	0.375 (9.5)
BP324AU	096731	1/3	230/1	60	1750	A	4.0	13.0	14/3	SJTOW	0.375 (9.5)
BP324BR	096735	1/3	230/1	60	1750	A	4.0	13.0	14/3	SJTOW	0.375 (9.5)
BP324AUBR	096736	1/3	230/1	60	1750	A	4.0	13.0	14/3	SJTOW	0.375 (9.5)

Mechanical Switch on BP-A, cord 16/2, SJOW, Piggy-Back Plug.
Mechanical Switch on BP-AU, cord 14/2, SJOW
Vertical Switch on BP-VF, cord 16/2, SJOW, Piggy-Back Plug

IMPORTANT !

- 1.) PUMP MAY BE OPERATED "DRY" FOR EXTENDED PERIODS WITHOUT DAMAGE TO MOTOR AND/OR SEALS.
- 2.) THIS PUMP IS APPROPRIATE FOR THOSE APPLICATIONS SPECIFIED AS CLASS I DIVISION II HAZARDOUS LOCATIONS.
- 3.) THIS PUMP IS NOT APPROPRIATE FOR THOSE APPLICATIONS SPECIFIED AS CLASS I DIVISION I HAZARDOUS LOCATIONS.
- 4.) INSTALLATIONS SUCH AS DECORATIVE FOUNTAINS OR WATER FEATURES PROVIDED FOR VISUAL ENJOYMENT MUST BE INSTALLED IN ACCORDANCE WITH THE NATIONAL ELECTRIC CODE ANSI/NFPA 70 AND/OR THE AUTHORITY HAVING JURISDICTION. THIS PUMP IS NOT INTENDED FOR USE IN SWIMMING POOLS, RECREATIONAL WATER PARKS, OR INSTALLATIONS IN WHICH HUMAN CONTACT WITH PUMPED MEDIA IS A COMMON OCCURRENCE.

SECTION A
PAGE 22
DATE 4/04



A Crane Co. Company

PUMPS & SYSTEMS

USA: (937) 778-8947 • Canada: (905) 457-6223 • International: (937) 615-3598