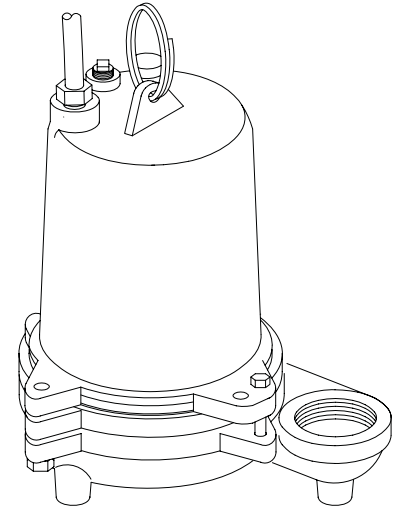


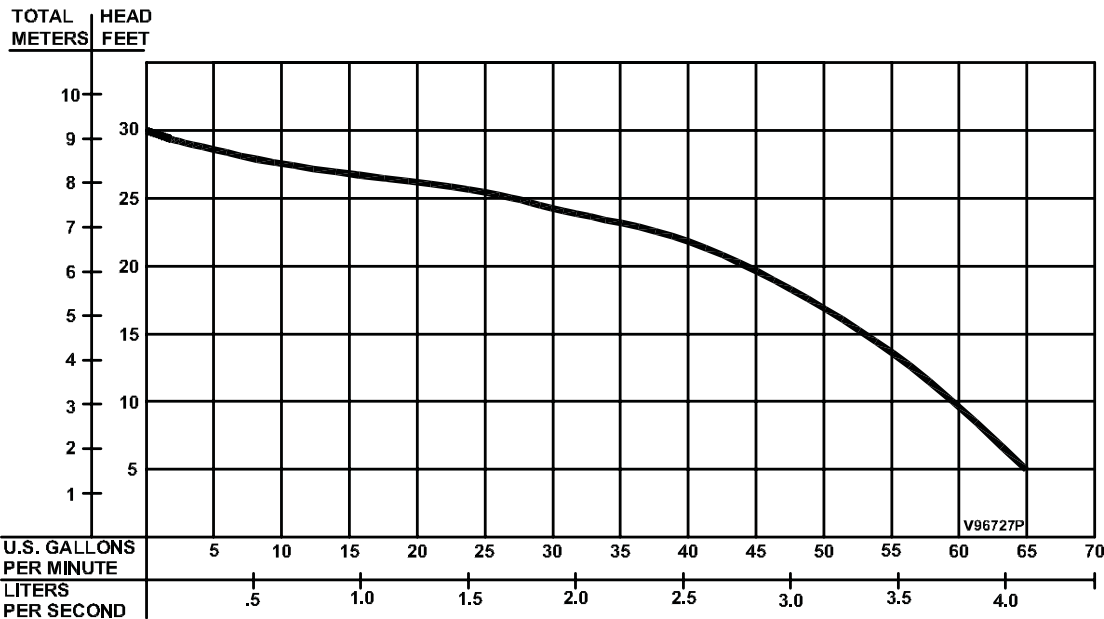
**Sump Pumps**

<b>DISCHARGE</b> .....	2" NPT, Female, Vertical
<b>LIQUID TEMPERATURE</b> .....	200°F (93°C) Continuous
<b>VOLUTE</b> .....	(BP) Cast Iron, (BP-BR) Bronze
<b>MOTOR HOUSING</b> .....	(BP) Cast Iron, (BP-BR) Bronze
<b>SEAL PLATE</b> .....	(BP) Cast Iron, (BP-BR) Bronze
<b>IMPELLER:</b> <i>Design</i> .....	2 Vane open, Dynamically Balanced, ISO G6.3
<i>Material</i> .....	Bronze 81-3-7-9
<b>SHAFT</b> .....	416 Stainless Steel
<b>SQUARE RINGS</b> .....	Buna-N
<b>HARDWARE</b> .....	300 Series Stainless Steel
<b>PAINT</b> .....	Air Dry Enamel
<b>SEAL:</b> <i>Design</i> .....	Single Mechanical, Oil-Filled Reservoir, Secondary Exclusion Seal
<i>Material</i> .....	Carbon/Ceramic/Buna-N
<b>CORD ENTRY</b> .....	15 ft. (5m) Quick Disconnect Cord with plug On 115 volt, Pressure Grommet for sealing and strain relief
<b>UPPER BEARING</b> .....	Single Row, Ball, Oil Lubricated
<b>LOWER BEARING</b> .....	Single Row, Ball, Oil Lubricated
<b>MOTOR, SINGLE PHASE</b> .....	Permanent Split Capacitor (PSC). Oil Filled. Includes Overload Protection in Motor
<i>Insulation</i> .....	Class B
<b>LEVEL CONTROLS</b> .....	"A" - High Temperature, Wide Angle, Mechanical, N/O, 15 ft (5m) cord with Piggy-Back Plug, "AU" - High Temperature, Wide Angle, Polypropylene, Mechanical, N/O Integral to pump. ON and OFF points are adjustable
<b>OPTIONAL EQUIPMENT</b> .....	Seal Material, Additional Cable



Series: BP314HT & BP324HT  
1/3HP, 1750RPM, 60Hz,  
Cast Iron & Bronze

**DESCRIPTION:**  
GENERAL PURPOSE PUMP FOR RESIDENTIAL AND  
LIGHT INDUSTRIAL SUMP APPLICATIONS



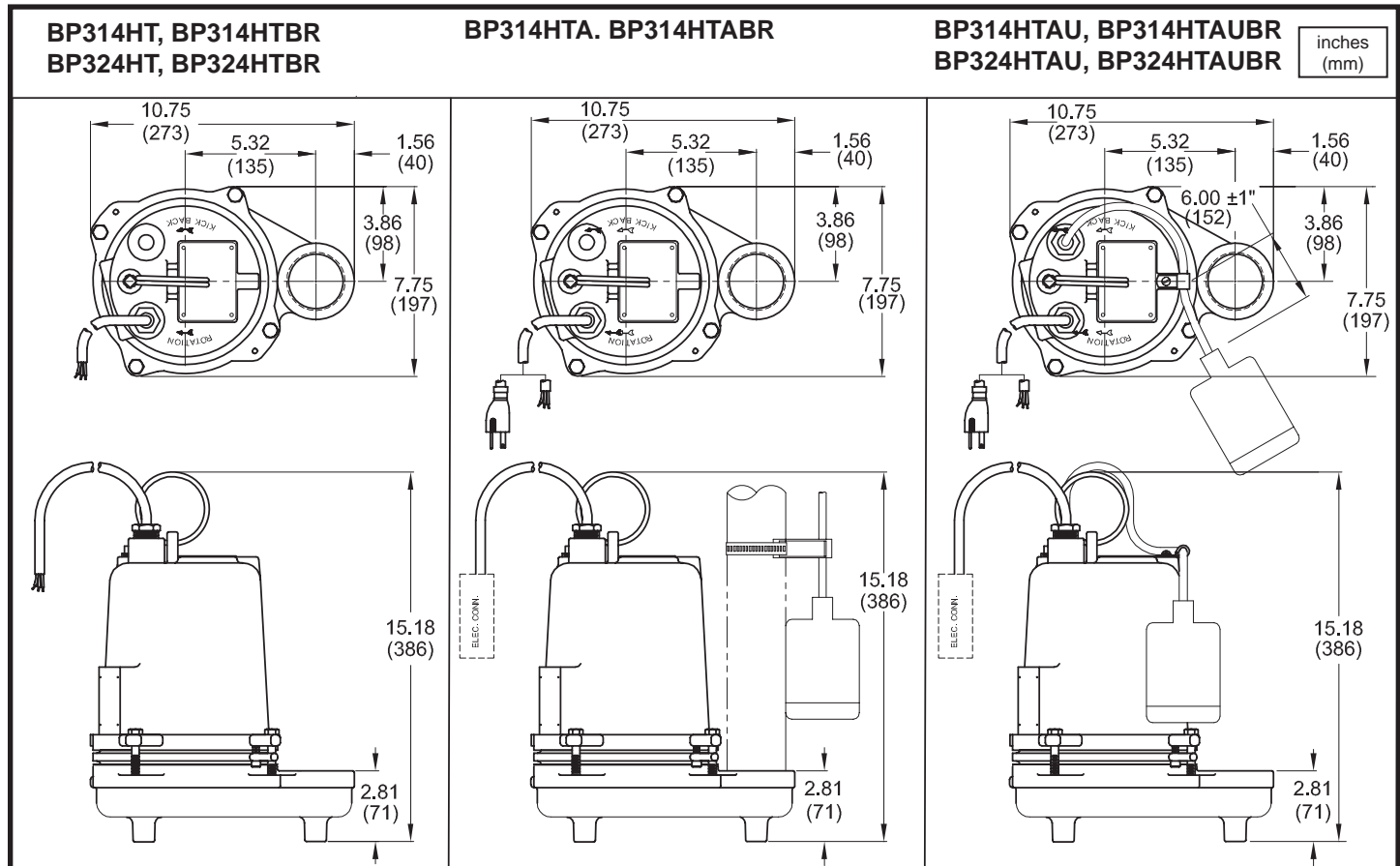
Testing is performed with water specific gravity of 1.0 @ 68°F (20°C), other fluids may vary performance

# Series BP-HT

## High Temperature - 3/4" Spherical Solids Handling

### Manual & Automatic - Submersible

## Sump Pumps



MODEL NO	PART NO	HP	VOLT/PH	Hz	RPM (Nom)	NEMA START CODE	FULL LOAD AMPS	LOCKED ROTOR AMPS	CORD SIZE	CORD TYPE	CORD O.D. inch (mm)
BP314HT	096737	1/3	115/1	60	1750	A	8.0	19.0	14/3	SOOW	0.560 (14.2)
BP314HTA	096738	1/3	115/1	60	1750	A	8.0	19.0	14/3	SOOW	0.560 (14.2)
BP314HTAU	096739	1/3	115/1	60	1750	A	8.0	19.0	14/3	SOOW	0.560 (14.2)
BP314HTBR	096742	1/3	115/1	60	1750	A	8.0	19.0	14/3	SOOW	0.560 (14.2)
BP314HTABR	096743	1/3	115/1	60	1750	A	8.0	19.0	14/3	SOOW	0.560 (14.2)
BP314HTAUBR	096744	1/3	115/1	60	1750	A	8.0	19.0	14/3	SOOW	0.560 (14.2)
BP324HT	096740	1/3	230/1	60	1750	A	4.0	13.0	14/3	SOOW	0.560 (14.2)
BP324HTAU	096741	1/3	230/1	60	1750	A	4.0	13.0	14/3	SOOW	0.560 (14.2)
BP324HTBR	096745	1/3	230/1	60	1750	A	4.0	13.0	14/3	SOOW	0.560 (14.2)
BP324HTAUBR	096746	1/3	230/1	60	1750	A	4.0	13.0	14/3	SOOW	0.560 (14.2)

Mechanical Switch on BP314HTA, cord 14/2, SJOOW, 0.370 (9.4MM) O.D., Piggy-Back Plug.  
Mechanical Switch on BP314HTAU & BP324HTAU, cord 14/2, SJOOW, 0.370 (9.4MM) O.D.

### IMPORTANT !

- 1.) PUMP MAY BE OPERATED "DRY" FOR EXTENDED PERIODS WITHOUT DAMAGE TO MOTOR AND/OR SEALS.
- 2.) THIS PUMP IS NOT APPROPRIATE FOR THOSE APPLICATIONS SPECIFIED AS CLASS I DIVISION I HAZARDOUS LOCATIONS.
- 3.) INSTALLATIONS SUCH AS DECORATIVE FOUNTAINS OR WATER FEATURES PROVIDED FOR VISUAL ENJOYMENT MUST BE INSTALLED IN ACCORDANCE WITH THE NATIONAL ELECTRIC CODE ANSI/NFPA 70 AND/OR THE AUTHORITY HAVING JURISDICTION. THIS PUMP IS NOT INTENDED FOR USE IN SWIMMING POOLS, RECREATIONAL WATER PARKS, OR INSTALLATIONS IN WHICH HUMAN CONTACT WITH PUMPED MEDIA IS A COMMON OCCURRENCE.
- 4.) MUST USE A **HIGH TEMPERATURE** WIDE ANGLE LEVEL CONTROL IN HIGH TEMPERATURE APPLICATIONS.

SECTION A  
PAGE 24  
DATE 4/04

**CRANE**<sup>®</sup>

A Crane Co. Company

**PUMPS & SYSTEMS**

USA: (937) 778-8947 • Canada: (905) 457-6223 • International: (937) 615-3598