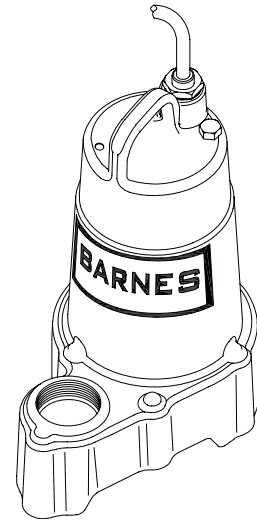


## Sump Pumps

<b>DISCHARGE</b> .....	1½" NPT, Female, Vertical
<b>LIQUID TEMPERATURE</b> .....	104°F (40°C) Continuous
<b>MOTOR HOUSING</b> .....	Cast Iron
<b>PUMP BODY &amp; STRAINER</b> .....	Thermoplastic
<b>IMPELLER: Design</b> .....	10 Vane vortex, with pump out vanes on back side. Balanced, ISO G6.3
<b>Material</b> .....	Cast Iron
<b>SHAFT</b> .....	Stainless Steel
<b>O-RINGS</b> .....	Buna-N
<b>HARDWARE</b> .....	300 Series Stainless Steel
<b>PAINT</b> .....	Air Dry Enamel
<b>SEAL: Design</b> .....	Single Mechanical, Type 21
<b>Material</b> .....	Silicon Carbide/Silicon Carbide/Buna-N Hardware -300 Series Stainless
<b>CORD ENTRY</b> .....	10 ft. (3m) or 20 ft. (6m) Cord with plug and Pressure Grommet for sealing and strain relief
<b>UPPER BEARING</b> .....	Single Row, Ball, Oil Lubricated
<b>LOWER BEARING</b> .....	Single Row, Ball, Oil Lubricated
<b>MOTOR: Design</b> .....	Oil Filled
<b>Insulation</b> .....	Class B
<b>SINGLE PHASE</b> .....	Permanent Split Capacitor (PSC). Includes thermal overload protection in motor
<b>LEVEL CONTROL:</b>	
SP33 .....	None
SP33A .....	Wide Angle, Mechanical, 10 ft (3m) cord or 20 ft (6m) cord
SP33VF .....	Vertical Float, PVC, Snap Action, 10 ft (3m) cord or 20 ft. (6m) cord
SP33D .....	Diaphragm switch, pressure operated, Snap Action, normally open, 10 Ft. (3m) cord
<b>MINIMUM SUMP DIA:</b>	
SP33A .....	18" (457mm)
SP33, SP33VF	
SP33D .....	11" (279mm)
<b>NOTE</b> .....	GFCI Compatible to Comply with NEC 210.8 (A)

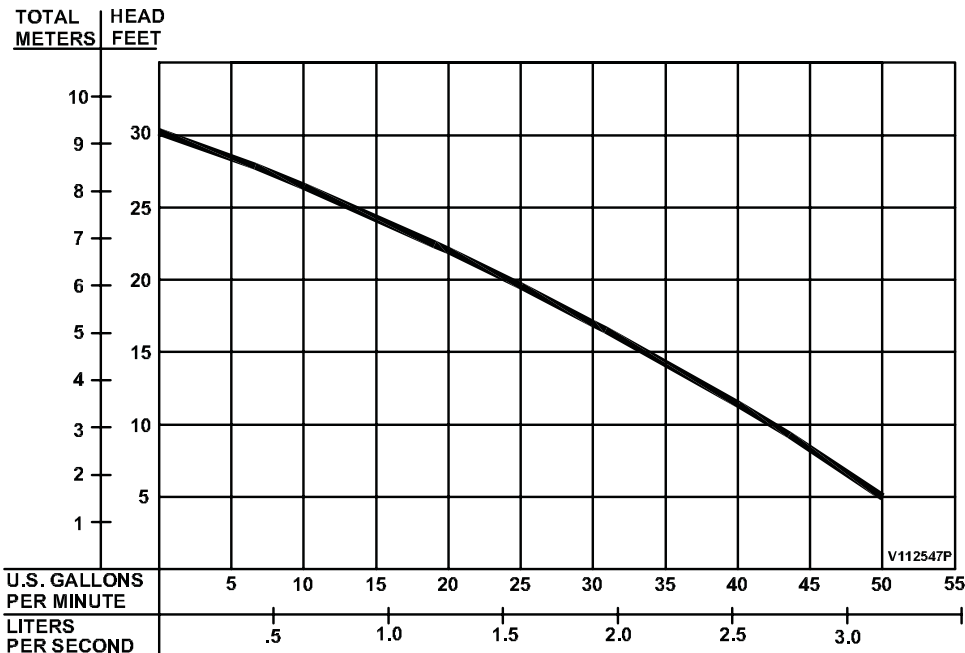


Series: SP33,  
1/3HP, 3450RPM, 60Hz



CSA 108  
UL 778  
LR16567

**DESCRIPTION:**  
GENERAL PURPOSE PUMP FOR RESIDENTIAL AND LIGHT INDUSTRIAL SUMP APPLICATIONS



Testing is performed with water specific gravity of 1.0 @ 68°F (20°C), other fluids may vary performance

# Series SP33

1/2" Spherical Solids Handling

Manual & Automatic, Submersible Sump /Effluent

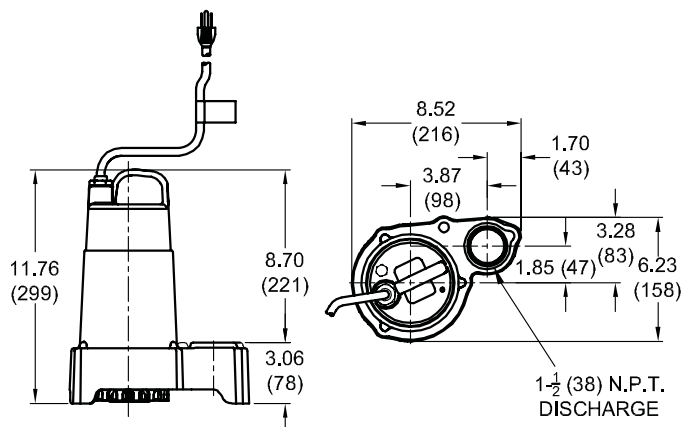
# BARNES®

Professional Plumbing

www.cranepumps.com

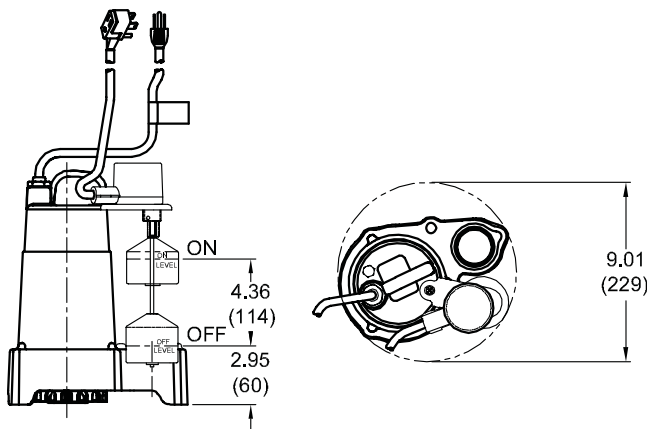
## Sump Pumps

Model: SP33

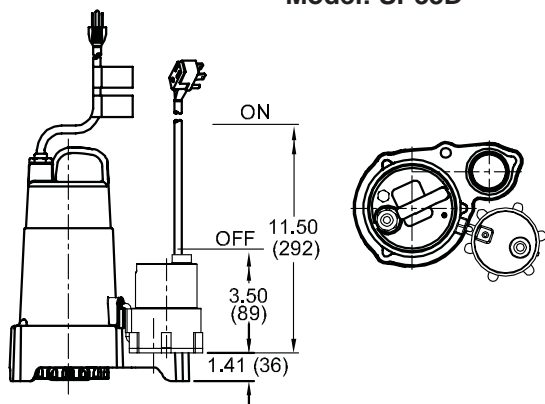


Model: SP33VF

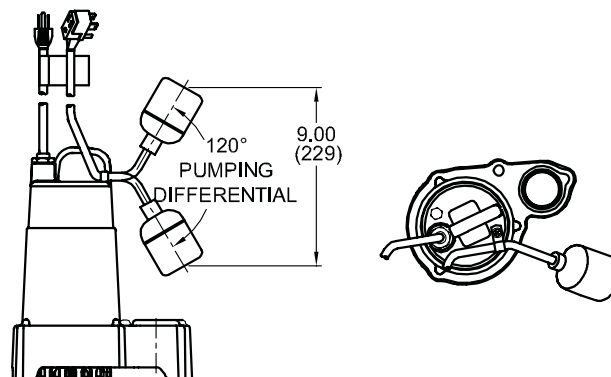
inches  
(mm)



Model: SP33D



Model: SP33A



MODEL NO	PART NO	HP	VOLT/PH	Hz	RPM (Nom)	NEMA START CODE	FULL LOAD AMPS	CORD LENGTH	CORD SIZE	CORD TYPE
SP33	112547	1/3	120/1	60	3450	B	5.8	10 ft. (3m)	18/3	SJTOW
SP33X	112548	1/3	120/1	60	3450	B	5.8	20 ft. (6m)	18/3	SJTOW
SP33A	112549	1/3	120/1	60	3450	B	5.8	10 ft. (3m)	18/3	SJTOW
SP33AX	112550	1/3	120/1	60	3450	B	5.8	20 ft. (6m)	18/3	SJTOW
SP33VF	112551	1/3	120/1	60	3450	B	5.8	10 ft. (3m)	18/3	SJTOW
SP33VFX	112552	1/3	120/1	60	3450	B	5.8	20 ft. (6m)	18/3	SJTOW
SP33D	118371	1/3	120/1	60	3450	B	5.8	10 ft. (3m)	18/3	SJTOW

### IMPORTANT !

- 1.) PUMP MAY BE OPERATED "DRY" FOR EXTENDED PERIODS WITHOUT DAMAGE TO MOTOR AND/OR SEALS.
- 2.) THIS PUMP IS APPROPRIATE FOR THOSE APPLICATIONS SPECIFIED AS CLASS I DIVISION II HAZARDOUS LOCATIONS.
- 3.) THIS PUMP IS NOT APPROPRIATE FOR THOSE APPLICATIONS SPECIFIED AS CLASS I DIVISION I HAZARDOUS LOCATIONS.
- 4.) INSTALLATIONS SUCH AS DECORATIVE FOUNTAINS OR WATER FEATURES PROVIDED FOR VISUAL ENJOYMENT MUST BE INSTALLED IN ACCORDANCE WITH THE NATIONAL ELECTRIC CODE ANSI/NFPA 70 AND/OR THE AUTHORITY HAVING JURISDICTION. THIS PUMP IS NOT INTENDED FOR USE IN SWIMMING POOLS, RECREATIONAL WATER PARKS, OR INSTALLATIONS IN WHICH HUMAN CONTACT WITH PUMPED MEDIA IS A COMMON OCCURRENCE.

SECTION A  
PAGE 4  
DATE 7/10

# CRANE®

A Crane Co. Company

## PUMPS & SYSTEMS

USA: (937) 778-8947 • Canada: (905) 457-6223 • International: (937) 615-3598