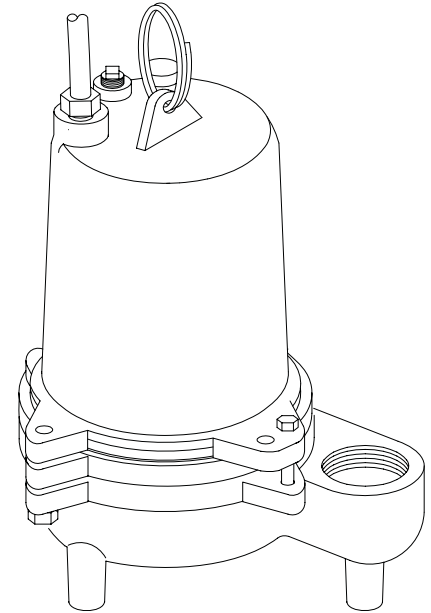


**DISCHARGE** .....2" NPT, Female, Vertical  
**LIQUID TEMPERATURE**  
**SE411** .....77°F (25°C) Continuous  
**SE421** .....104°F (40°C) Continuous  
**VOLUTE** ..... Cast Iron ASTM A-48, Class 30  
**MOTOR HOUSING** ..... Cast Iron ASTM A-48, Class 30  
**SEAL PLATE** ..... Cast Iron ASTM A-48, Class 30  
**IMPELLER:**  
*Design*.....2 Vane, Open with pump out vanes on back  
side, Dynamically Balanced, ISO G6.3  
*Material* ..... Cast Iron ASTM A-48, Class 30  
**SHAFT** .....416 Stainless Steel  
**SQUARE RINGS** .....Buna-N  
**HARDWARE** .....300 Series Stainless Steel  
**PAINT** .....Air Dry Enamel  
**SEAL:** *Design* .....Single Mechanical, Oil Filled Reservoir,  
Secondary Exclusion Seal  
*Material* .....Carbon/Ceramic/Buna-N  
Hardware - 300 Series Stainless  
**CORD ENTRY** ..... 15 ft. (5m) Quick Disconnect Cord with plug  
On 115Volt, Pressure Grommet for sealing  
and strain relief  
**SPEED** .....1750 RPM (Nominal)  
**UPPER BEARING**.....Single Row, Ball, Oil Lubricated  
*Load*.....Radial  
**LOWER BEARING**.....Single Row, Ball, Oil Lubricated  
*Load*.....Radial & Thrust  
**MOTOR:** *Design* .....NEMA L Torque Curve, Oil Filled, Squirrel  
Cage Induction  
*Insulation* ..... Class B  
**SINGLE PHASE**.....Permanent Split Capacitor (PSC)  
Includes Overload Protection in Motor  
**LEVEL CONTROL** ..... "A" - Wide Angle, PVC, Mechanical, 15 ft (5m)  
cord with Piggy-Back Plug, N/O  
"VF" - Vertical Float, PVC, Snap Action,  
15 ft (5m) cord, with Piggy-Back plug.  
OFF point ONLY is adjustable  
**OPTIONAL EQUIPMENT** .....Seal Material, Additional Cord

**RECOMMENDED:**  
*Accessories*.....Break Away Fitting (BAF)  
Check Valve  
Control Panel  
*Seal Kit PN* .....085202  
*Service Kit PN*.085201



Series: SE (SE411 & SE421)  
.4HP, 1750RPM, 60Hz



Sample Specifications: Section 1 Page 3.

**DESCRIPTION:**

SUBMERSIBLE NON-CLOG SEWAGE PUMP  
DESIGNED FOR TYPICAL RAW SEWAGE  
APPLICATIONS

# Series SE

2" Spherical Solids Handling  
Manual & Automatic

# BARNES®

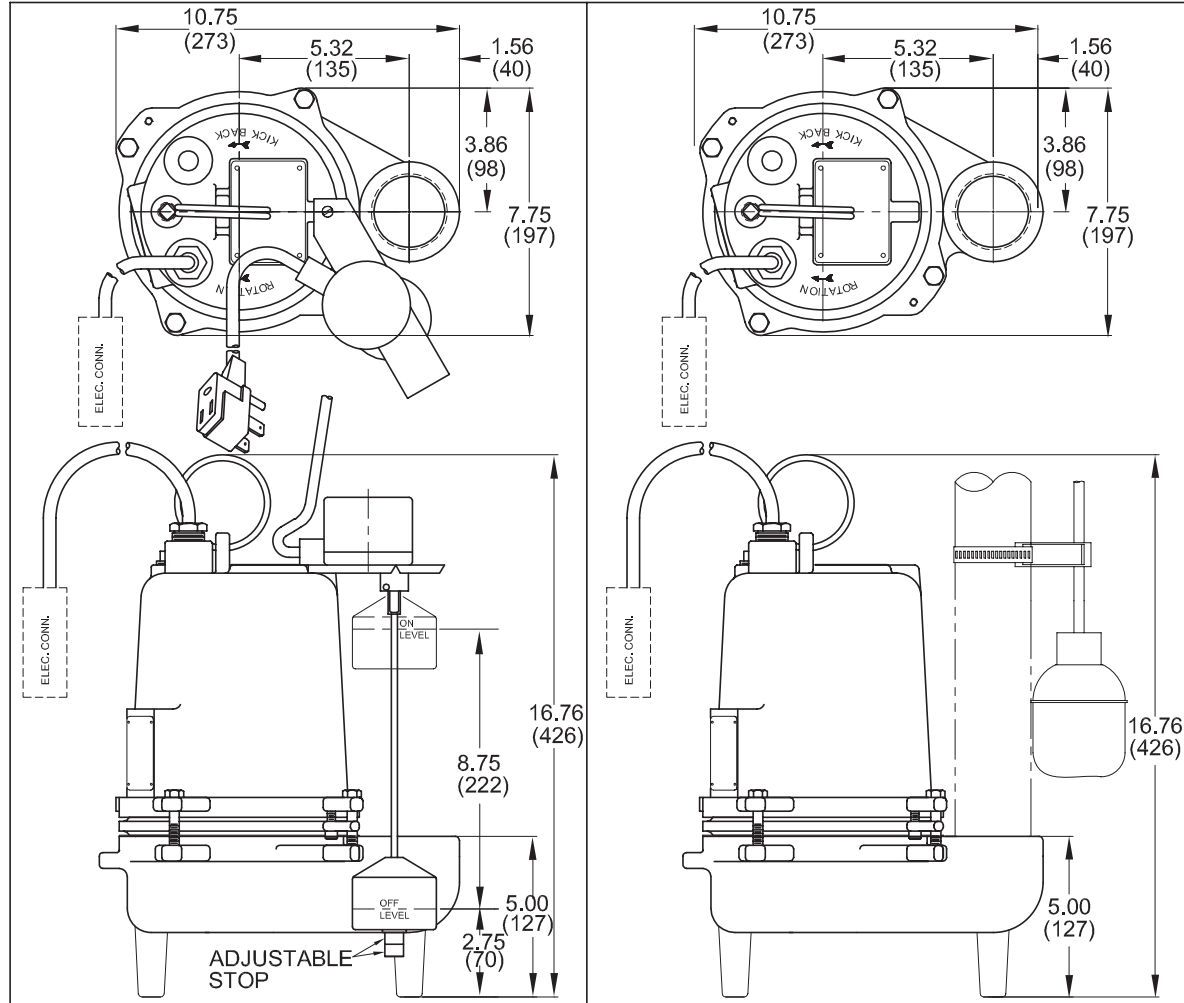
www.cranepumps.com

**1½", 2" & 3" Discharge**

**SE411VF**

**SE411 & SE421 (Less Float)  
SE411A**

inches  
(mm)



MODEL NO	PART NO	HP	VOLT/PH	Hz	RPM (Nom)	NEMA START CODE	FULL LOAD AMPS	LOCKED ROTOR AMPS	CORD SIZE	CORD TYPE	CORD O.D inch (mm)
SE411	096747	0.4	115/1	60	1750	C	12.0	19.0	14/3	SJTOW	0.375 (9.5)
SE411A	096748	0.4	115/1	60	1750	C	12.0	19.0	14/3	SJTOW	0.375 (9.5)
SE411VF	100836	0.4	115/1	60	1750	C	12.0	19.0	14/3	SJTOW	0.375 (9.5)
SE421	096750	0.4	230/1	60	1750	C	6.2	13.0	14/3	SJTOW	0.375 (9.5)

Mechanical Switch on SE-A, cord 16/2, SJOW, Piggy-Back Plug  
Vertical Switch on SE-VF, cord 16/2, SJOW, 0.320 (8.1mm) O.D. Piggy-Back Plug

**IMPORTANT !**

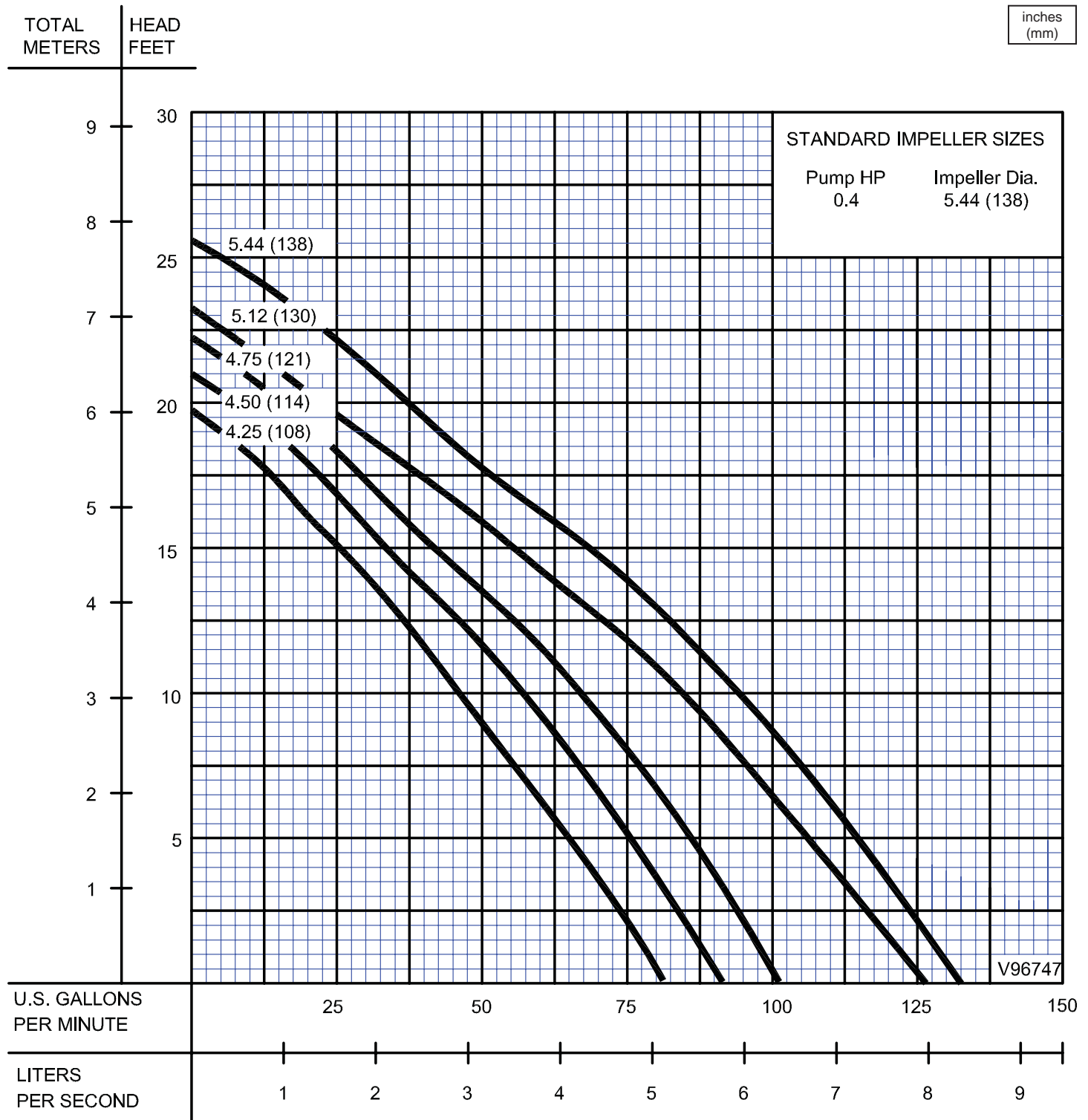
- 1.) PUMP MAY BE OPERATED "DRY" FOR EXTENDED PERIODS WITHOUT DAMAGE TO MOTOR AND/OR SEALS.
- 2.) THIS PUMP IS APPROPRIATE FOR THOSE APPLICATIONS SPECIFIED AS CLASS I DIVISION II HAZARDOUS LOCATIONS.
- 3.) THIS PUMP IS NOT APPROPRIATE FOR THOSE APPLICATIONS SPECIFIED AS CLASS I DIVISION I HAZARDOUS LOCATIONS.
- 4.) INSTALLATIONS SUCH AS DECORATIVE FOUNTAINS OR WATER FEATURES PROVIDED FOR VISUAL ENJOYMENT MUST BE INSTALLED IN ACCORDANCE WITH THE NATIONAL ELECTRIC CODE ANSI/NFPA 70 AND/OR THE AUTHORITY HAVING JURISDICTION. THIS PUMP IS NOT INTENDED FOR USE IN SWIMMING POOLS, RECREATIONAL WATER PARKS, OR INSTALLATIONS IN WHICH HUMAN CONTACT WITH PUMPED MEDIA IS A COMMON OCCURRENCE.

SECTION 1B  
PAGE 2  
DATE 12/07

**CRANE**  
A Crane Co. Company

**PUMPS & SYSTEMS**

USA: (937) 778-8947 • Canada: (905) 457-6223 • International: (937) 615-3598



Testing is performed with water, specific gravity 1.0 @ 68° F @ (20°C), other fluids may vary performance