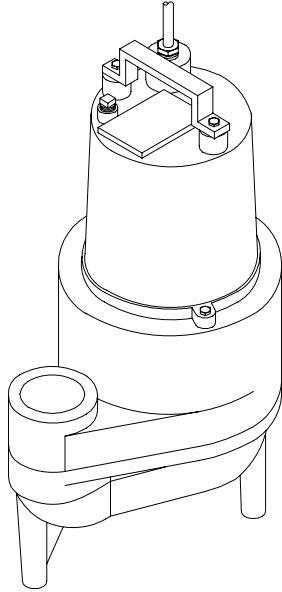


1½", 2" & 3" Discharge



Series: SEV
.5HP, 3450RPM, 60Hz

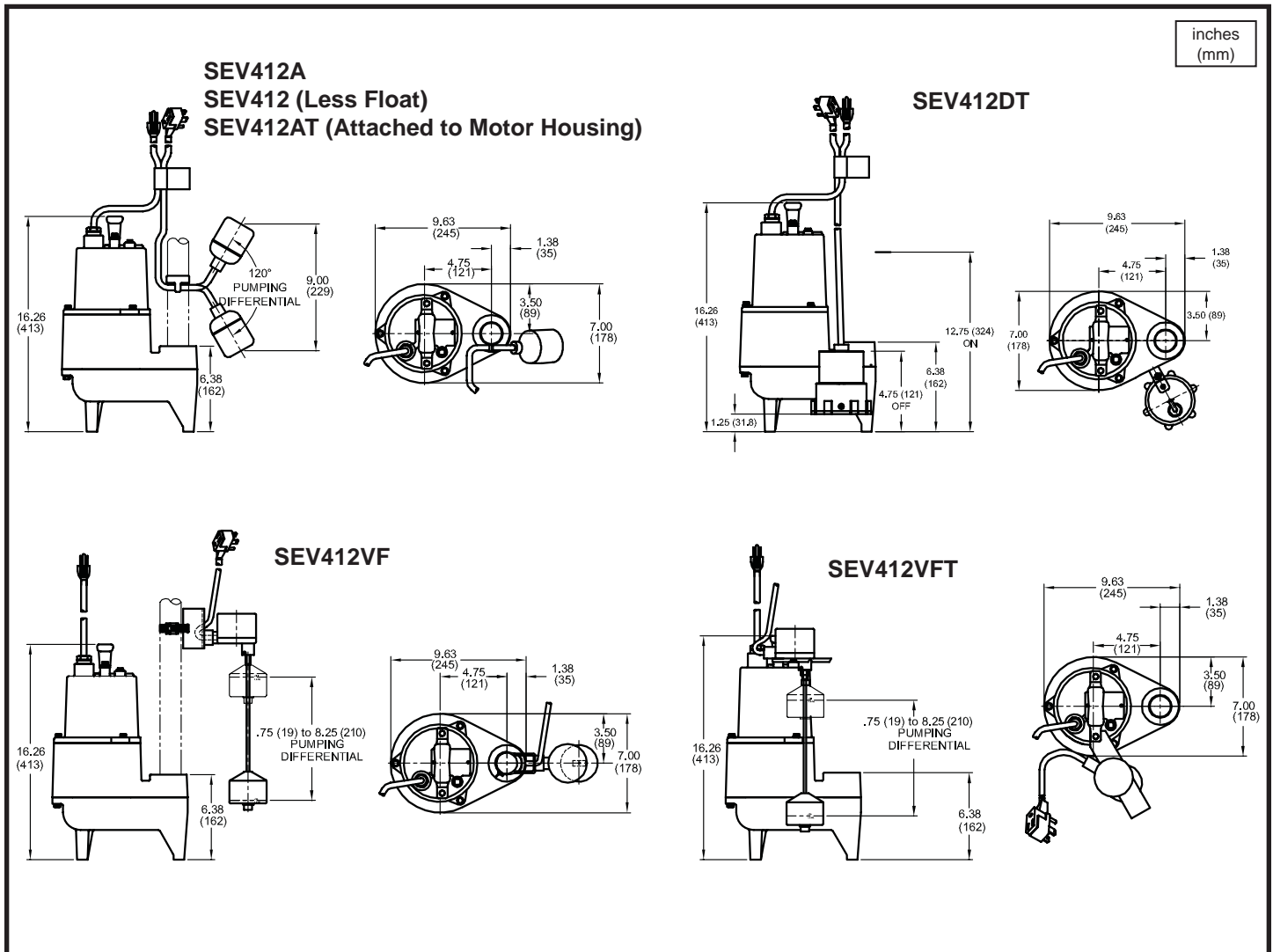
- DISCHARGE**2" NPT, Female, Vertical
- LIQUID TEMPERATURE**77°F (25°C) Continuous
- MOTOR HOUSING**Cast Iron
- PUMP BODY**Cast Iron
- IMPELLER:** *Design*Multi-Vane, Vortex
MaterialCast Iron
- SHAFT**416 Stainless Steel
- O-RINGS**Buna-N
- HARDWARE**300 Series Stainless Steel
- PAINT**Air Dry Enamel
- CORD ENTRY**20 ft. (6m) Quick Disconnect Cord with
plug on 115 Volt, Pressure Grommet for
sealing and strain relief
- SEAL:** *Design*Single Mechanical, Oil Filled Reservoir
MaterialCarbon/Ceramic/Buna-N
Hardware -300 Series Stainless
- SPEED**3450 RPM (Nominal)
- UPPER BEARING**.....Single Row, Ball, Oil Lubricated
- LOWER BEARING**.....Single Row, Ball, Oil Lubricated
- MOTOR:** *Design*Oil Filled
InsulationClass B
- SINGLE PHASE**.....Permanent Split Capacitor (PSC)
Includes Overload Protection in Motor
- LEVEL CONTROL:**
 - SEV412.....None
 - SEV412A.....Wide Angle, Mechanical, 20 ft (6m) cord
Pipe Mounted
 - SEV412VFVertical Float, PVC, Snap Action
 - SEV412VFTAttached Vertical Float, PVC, Snap Action
 - SEV412ATWide Angle, Mechanical, 20 ft (6m) cord
Pump Mounted
 - SEV412DTDiaphragm Switch, Pressure Operated,
Snap Action, Normally Open, 20 ft. (6m)
cord
- RECOMMENDED:**
 - Accessories*.....Break Away Fitting (BAF)
Check Valve
Control Panel



DESCRIPTION:

SUBMERSIBLE NON-CLOG SEWAGE PUMP
DESIGNED FOR TYPICAL RAW SEWAGE
APPLICATIONS

1½", 2" & 3" Discharge



inches
(mm)

MODEL NO	PART NO	HP	VOLT/PH	Hz	RPM (Nom)	NEMA START CODE	FULL LOAD AMPS	LOCKED ROTOR AMPS	CORD LENGTH	CORD SIZE	CORD TYPE
SEV412	101292	0.5	115/1	60	3450	H	10.50	18.6	20 ft. (6m)	14/3	SJTOW
SEV412A	101293	0.5	115/1	60	3450	H	10.50	18.6	20 ft. (6m)	14/3	SJTOW
SEV412VF	101294	0.5	115/1	60	3450	H	10.50	18.6	20 ft. (6m)	14/3	SJTOW
SEV412AT	103544	0.5	115/1	60	3450	H	10.50	18.6	20 ft. (6m)	14/3	SJTOW
SEV412VFT	110404	0.5	115/1	60	3450	H	10.50	18.6	20 ft. (6m)	14/3	SJTOW
SEV412DT	119614	0.5	115/1	60	3450	H	10.50	18.6	20 ft. (6m)	14/3	SJTOW

IMPORTANT !

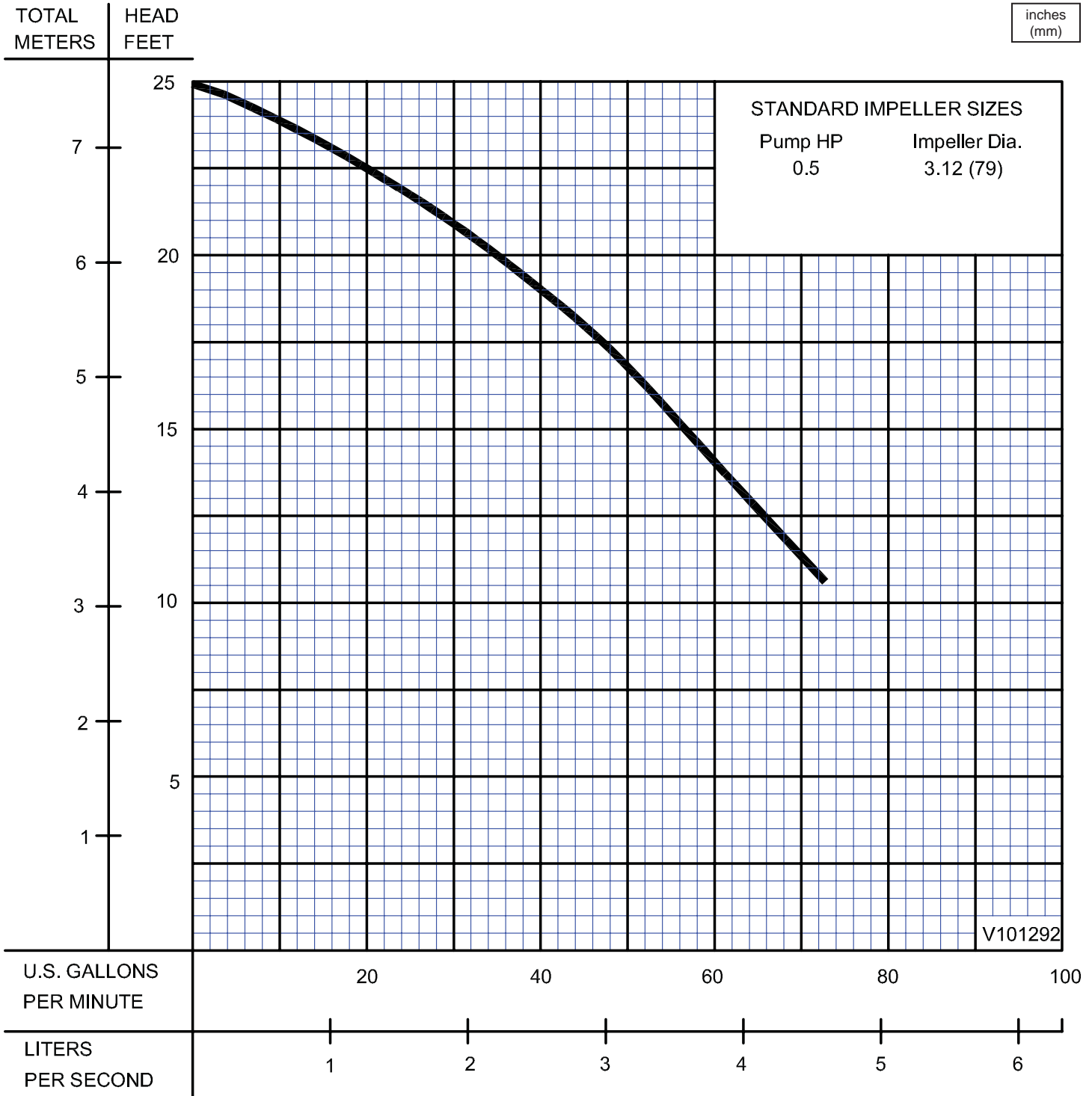
- 1.) PUMP MAY BE OPERATED "DRY" FOR EXTENDED PERIODS WITHOUT DAMAGE TO MOTOR AND/OR SEALS.
- 2.) THIS PUMP IS APPROPRIATE FOR THOSE APPLICATIONS SPECIFIED AS CLASS I DIVISION II HAZARDOUS LOCATIONS.
- 3.) THIS PUMP IS NOT APPROPRIATE FOR THOSE APPLICATIONS SPECIFIED AS CLASS I DIVISION I HAZARDOUS LOCATIONS.
- 4.) INSTALLATIONS SUCH AS DECORATIVE FOUNTAINS OR WATER FEATURES PROVIDED FOR VISUAL ENJOYMENT MUST BE INSTALLED IN ACCORDANCE WITH THE NATIONAL ELECTRIC CODE ANSI/NFPA 70 AND/OR THE AUTHORITY HAVING JURISDICTION. THIS PUMP IS NOT INTENDED FOR USE IN SWIMMING POOLS, RECREATIONAL WATER PARKS, OR INSTALLATIONS IN WHICH HUMAN CONTACT WITH PUMPED MEDIA IS A COMMON OCCURRENCE.

Series SEV
 Performance Curve
 .5HP, 3450RPM, 60Hz



www.cranepumps.com

1½", 2" & 3" Discharge



Testing is performed with water, specific gravity 1.0 @ 68° F @ (20°C), other fluids may vary performance

SECTION 1B
 PAGE 12
 DATE 6/04



A Crane Co. Company

PUMPS & SYSTEMS

USA: (937) 778-8947 • Canada: (905) 457-6223 • International: (937) 615-3598