

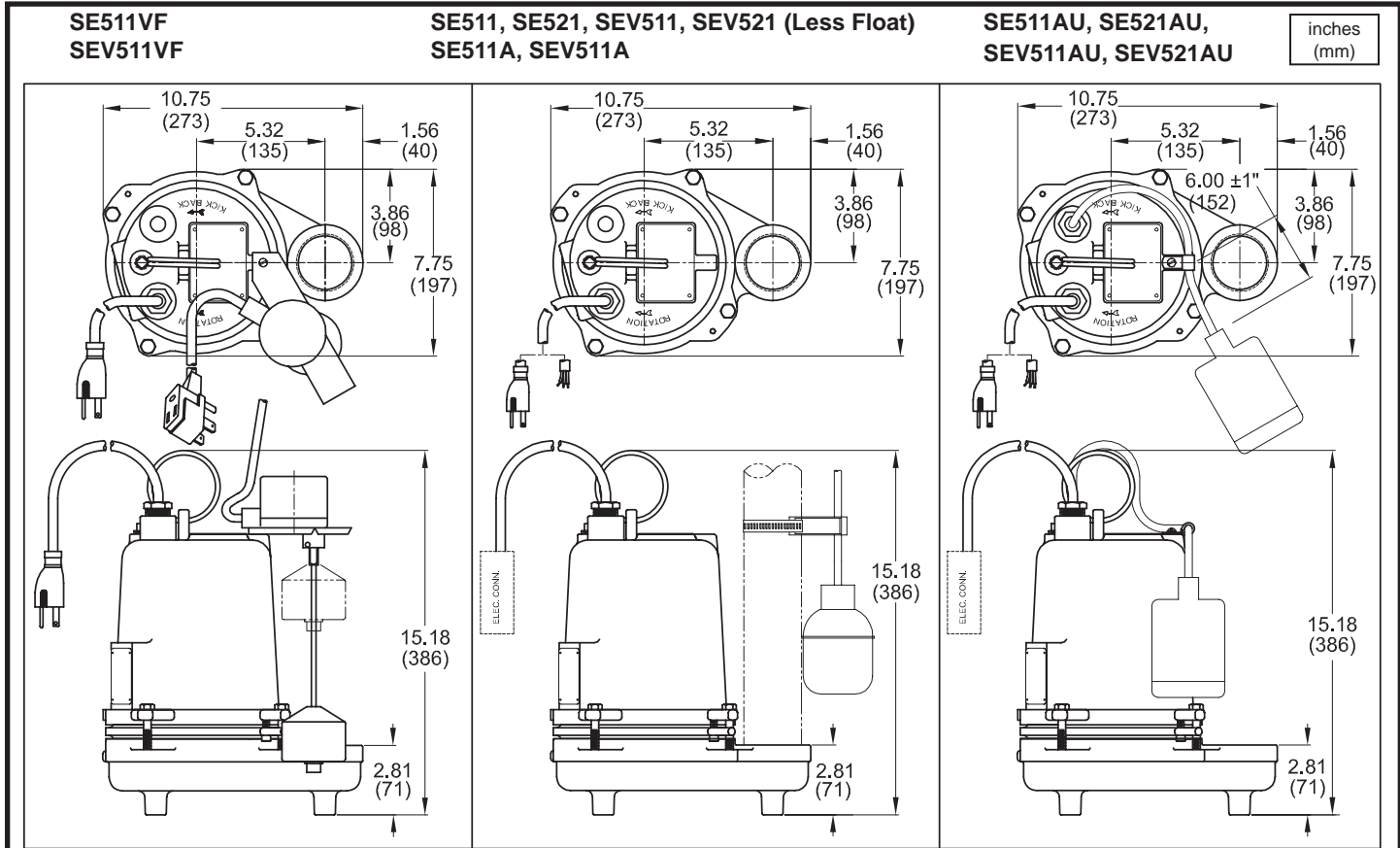
Series SE & SEV

2" Spherical Solids Handling
Manual & Automatic

BARNES®

www.cranepumps.com

1½", 2" & 3" Discharge



MODEL NO	PART NO	HP	VOLT/PH	Hz	RPM (Nom)	NEMA START CODE	FULL LOAD AMPS	LOCKED ROTOR AMPS	CORD SIZE	CORD TYPE	CORD O.D. inch (mm)
SE511	096752	0.5	115/1	60	1750	A	12.0	26.0	14/3	SJTOW	0.375 (9.5)
SE511A	096753	0.5	115/1	60	1750	A	12.0	26.0	14/3	SJTOW	0.375 (9.5)
SE511AU	096754	0.5	115/1	60	1750	A	12.0	26.0	14/3	SJTOW	0.375 (9.5)
SE511VF	100837	0.5	115/1	60	1750	A	12.0	26.0	14/3	SJTOW	0.375 (9.5)
SE521	096755	0.5	230/1	60	1750	A	6.2	13.0	14/3	SJTOW	0.375 (9.5)
SE521AU	096756	0.5	230/1	60	1750	A	6.2	13.0	14/3	SJTOW	0.375 (9.5)
SEV511	096757	0.5	115/1	60	1750	A	12.0	26.0	14/3	SJTOW	0.375 (9.5)
SEV511A	096758	0.5	115/1	60	1750	A	12.0	26.0	14/3	SJTOW	0.375 (9.5)
SEV511AU	096759	0.5	115/1	60	1750	A	12.0	26.0	14/3	SJTOW	0.375 (9.5)
SEV511VF	100838	0.5	115/1	60	1750	A	12.0	26.0	14/3	SJTOW	0.375 (9.5)
SEV521	096760	0.5	230/1	60	1750	A	6.2	13.0	14/3	SJTOW	0.375 (9.5)
SEV521AU	096761	0.5	230/1	60	1750	A	6.2	13.0	14/3	SJTOW	0.375 (9.5)

Mechanical Switch on SE-A, cord 16/2, SJOW, Piggy-Back Plug
 Mechanical Switch on SE-AU, cord 14/2, SJOW, 0.370 (9.4mm) O.D.
 Vertical Switch on SE-VF, cord 16/2, SJOW, 0.320 (8.1mm) O.D. Piggy-Back Plug

IMPORTANT !

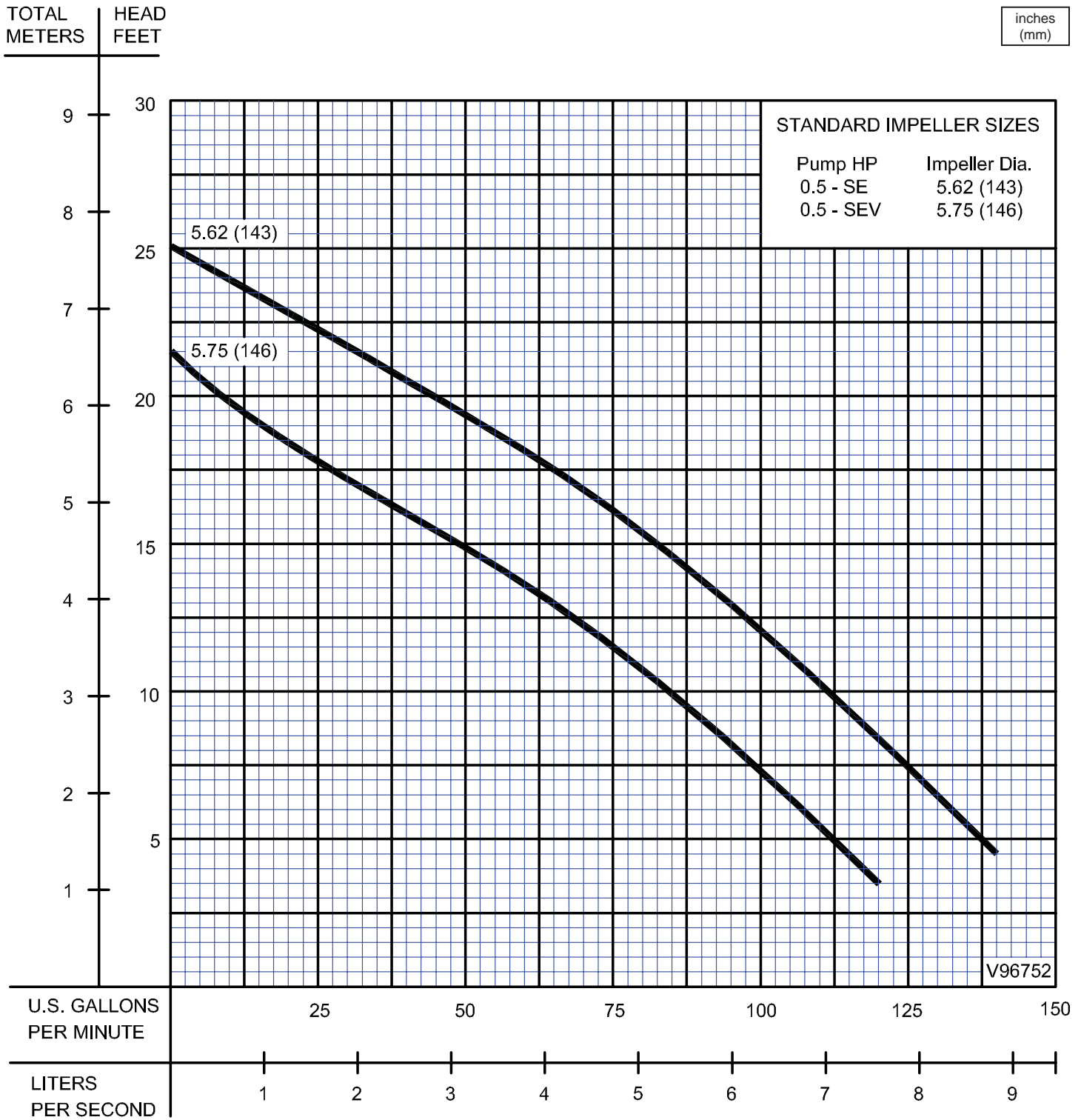
- 1.) PUMP MAY BE OPERATED "DRY" FOR EXTENDED PERIODS WITHOUT DAMAGE TO MOTOR AND/OR SEALS.
- 2.) THIS PUMP IS APPROPRIATE FOR THOSE APPLICATIONS SPECIFIED AS CLASS I DIVISION II HAZARDOUS LOCATIONS.
- 3.) THIS PUMP IS NOT APPROPRIATE FOR THOSE APPLICATIONS SPECIFIED AS CLASS I DIVISION I HAZARDOUS LOCATIONS.
- 4.) INSTALLATIONS SUCH AS DECORATIVE FOUNTAINS OR WATER FEATURES PROVIDED FOR VISUAL ENJOYMENT MUST BE INSTALLED IN ACCORDANCE WITH THE NATIONAL ELECTRIC CODE ANSI/NFPA 70 AND/OR THE AUTHORITY HAVING JURISDICTION. THIS PUMP IS NOT INTENDED FOR USE IN SWIMMING POOLS, RECREATIONAL WATER PARKS, OR INSTALLATIONS IN WHICH HUMAN CONTACT WITH PUMPED MEDIA IS A COMMON OCCURRENCE.

SECTION 1B
PAGE 8
DATE 6/04

CRANE
A Crane Co. Company

PUMPS & SYSTEMS

USA: (937) 778-8947 • Canada: (905) 457-6223 • International: (937) 615-3598



Testing is performed with water, specific gravity 1.0 @ 68° F @ (20°C), other fluids may vary performance