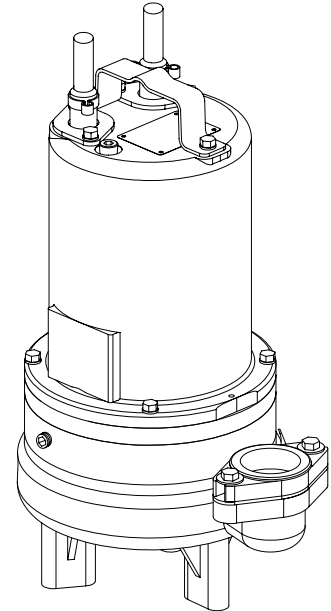


<b>DISCHARGE</b> .....	2" NPT, Female, Vertical, Bolt-on Flange
<b>LIQUID TEMPERATURE</b> .....	104°F (40°C) Continuous
<b>VOLUTE</b> .....	Cast Iron ASTM A-48, Class 30
<b>MOTOR HOUSING</b> .....	Cast Iron ASTM A-48, Class 30
<b>SEAL PLATE</b> .....	Cast Iron ASTM A-48, Class 30
<b>IMPELLER: Design</b> .....	Vortex, open, with pump out vanes on back side. Dynamically balanced, ISO G6.3
<i>Material</i> .....	Cast Iron ASTM A-48, Class 30
<b>SHAFT</b> .....	416 Stainless Steel
<b>SQUARE RINGS</b> .....	Buna-N
<b>HARDWARE</b> .....	300 Series Stainless Steel
<b>PAINT</b> .....	Air Dry Enamel
<b>SEAL:</b> <i>Design</i> .....	Tandem Mechanical, Oil filled reservoir
<i>Material</i> .....	Carbon/Ceramic/Buna-N
	Hardware -300 Series Stainless
<b>CORD ENTRY</b> .....	20 ft. (6.1m) Cord with plug on 120 volt & .5HP, 240 volt, 1 phase. Quick connect custom molded for sealing and strain relief
<b>SPEED</b> .....	1750 & 3450RPM (Nominal)
<b>UPPER BEARING</b> .....	Single Row, Ball, Oil lubricated
<i>Load</i> .....	Radial
<b>LOWER BEARING</b> .....	Single Row, Ball, Oil lubricated
<i>Load</i> .....	Radial & Thrust
<b>MOTOR:</b> <i>Design</i> .....	NEMA L -Single Phase, NEMA B -Three phase Torque Curve, Oil Filled, Squirrel Cage Induction
<i>Insulation</i> .....	Class B
<b>SINGLE PHASE</b> .....	Permanent Split Capacitor (PSC) Includes Overload Protection in Motor
<b>THREE PHASE</b> .....	200-240/480 is Tri-Voltage. 600V. Requires Overload Protection to be included in control panel
<b>OPTIONAL EQUIPMENT</b> .....	Seal Material, Impeller Trims, Additional cord, Normally Closed Temperature Sensors with cord for 3 phase pumps (Requires relay in control panel), Normally Open Moisture sensor with cord for DS pumps (Requires relay in control panel).
 <b>RECOMMENDED:</b>	
<i>Accessories</i> .....	Break Away Fitting (BAF) Check Valve Control Panel
<i>Seal Kit PN</i> .....	130176
<i>Service Kit PN</i> .....	130172



Series: 2SEV-DS  
0.5, 0.75, 1.0HP,  
1750 & 3450RPM, 60Hz



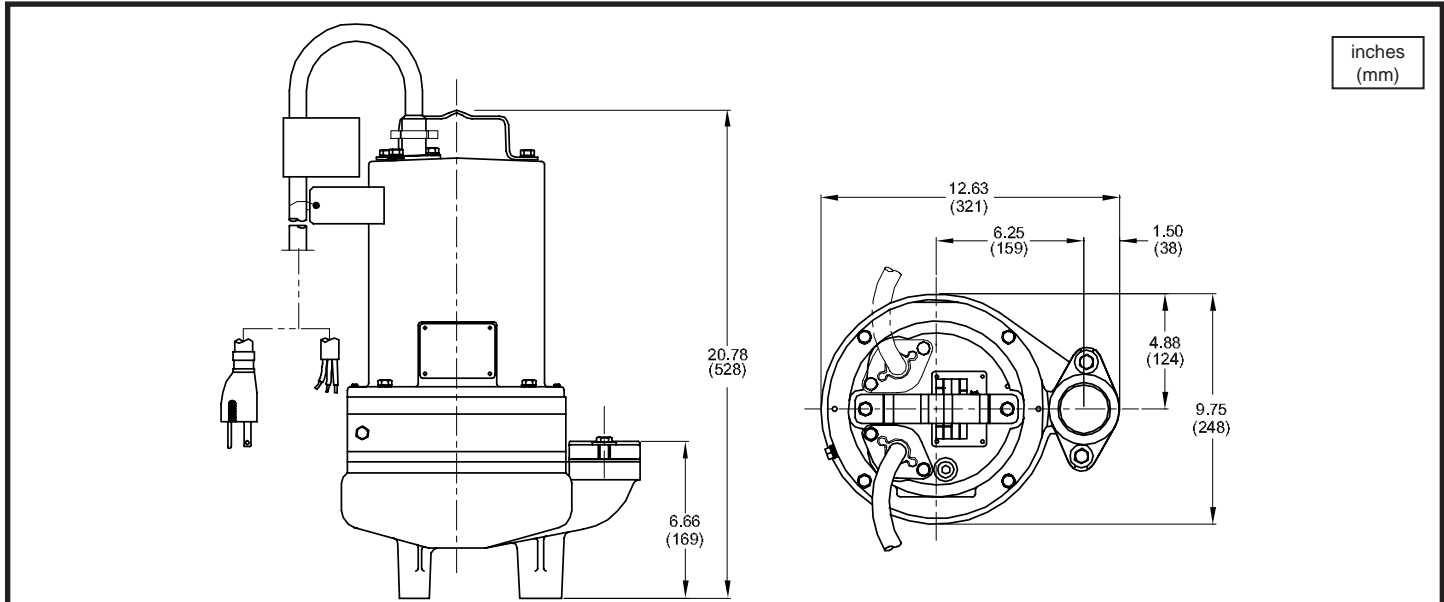
Sample Specifications: Section 1 Page 9.

**DESCRIPTION:**

SUBMERSIBLE NON-CLOG SEWAGE PUMP  
DESIGNED FOR TYPICAL RAW SEWAGE  
APPLICATIONS

Series 2SEV-DS  
2" Spherical Solids Handling  
Vortex, Double Seal

**2" Discharge**



MODEL NO	PART NO	HP	VOLT/PH	Hz	RPM (Nom)	NEMA START CODE	FULL LOAD AMPS	LOCKED ROTOR AMPS	CORD SIZE	CORD TYPE	CORD O.D inch (mm)
2SEV514DS	104923	0.5	120/1	60	1750	F	12.0	21.3	14/3	SJTOW	0.375 (9.5)
2SEV524DS	104924	0.5	240/1	60	1750	J	6.3	14.9	14/3	SOW	0.530 (13.5)
2SEV594DS	104925	0.5	200-240/3	60	1750	H/L	3.7/3.8	9.8/11.0	14/4	SOW	0.570 (14.5)
2SEV544DS	104926	0.5	480/3	60	1750	K	1.9	5.3	14/4	SOW	0.570 (14.5)
2SEV554DS	104927	0.5	600/3	60	1750	H	1.4	3.4	14/4	SOW	0.570 (14.5)
2SEV724DS	104932	0.75	240/1	60	1750	K	7.1	25.8	14/3	SOW	0.530 (13.5)
2SEV794DS	104933	0.75	200-240/3	60	1750	H/K	4.8/4.6	13.7/15.4	14/4	SOW	0.570 (14.5)
2SEV744DS	104934	0.75	480/3	60	1750	K	2.3	7.7	14/4	SOW	0.570 (14.5)
2SEV754DS	104935	0.75	600/3	60	1750	L	1.6	7.2	14/4	SOW	0.570 (14.5)
2SEV1024DS	104940	1.0	240/1	60	1750	G	8.5	25.8	14/3	SOW	0.530 (13.5)
2SEV1094DS	104941	1.0	200-240/3	60	1750	E/H	5.3/5.1	13.7/15.4	14/3	SOW	0.570 (14.5)
2SEV1044DS	104942	1.0	480/3	60	1750	H	2.5	7.7	14/4	SOW	0.570 (14.5)
2SEV1054DS	104943	1.0	600/3	60	1750	J	2.2	7.2	14/4	SOW	0.570 (14.5)
2SEV512DS*	104976	0.5	120/1	60	3450	G	12.6	24.6	14/3	SJTOW	0.375 (9.5)
2SEV522DS	104977	0.5	240/1	60	3450	E	6.0	10.2	14/3	SOW	0.530 (13.5)
2SEV592DS	104978	0.5	200/240/3	60	3450	P/R	5.8/5.3	19.9/18.4	14/3	SOW	0.570 (14.5)
2SEV542DS	104980	0.5	480/3	60	3450	R	2.6	9.1	14/3	SOW	0.570 (14.5)
2SEV552DS	104981	0.5	600/3	60	3450	T	2.1	8.7	14/3	SOW	0.570 (14.5)
2SEV1022DS	104987	1.0	240/1	60	3450	F	10.7	21.8	14/3	SOW	0.530 (13.5)
2SEV1092DS	104988	1.0	200-240/3	60	3450	H/J	7.9/7.5	19.9/18.4	14/4	SOW	0.570 (14.5)
2SEV1042DS	104990	1.0	480/3	60	3450	J	3.7	9.1	14/4	SOW	0.570 (14.5)
2SEV1052DS	104991	1.0	600/3	60	3450	L	2.9	8.7	14/4	SOW	0.570 (14.5)

OPTIONAL - Temperature sensor cord for 3 phase models is 14/3 SOW, 0.530 (13.5mm) O.D.  
 OPTIONAL - Moisture sensor cord is 18/5 SOW, 0.470 (11.9mm) O.D.  
 OPTIONAL - Moisture & Temperature sensor cord for 3 phase models is 18/5 SOW, 0.470 (11.9mm) O.D.  
 (\*) Pump is CSA listed **ONLY**.

**IMPORTANT !**

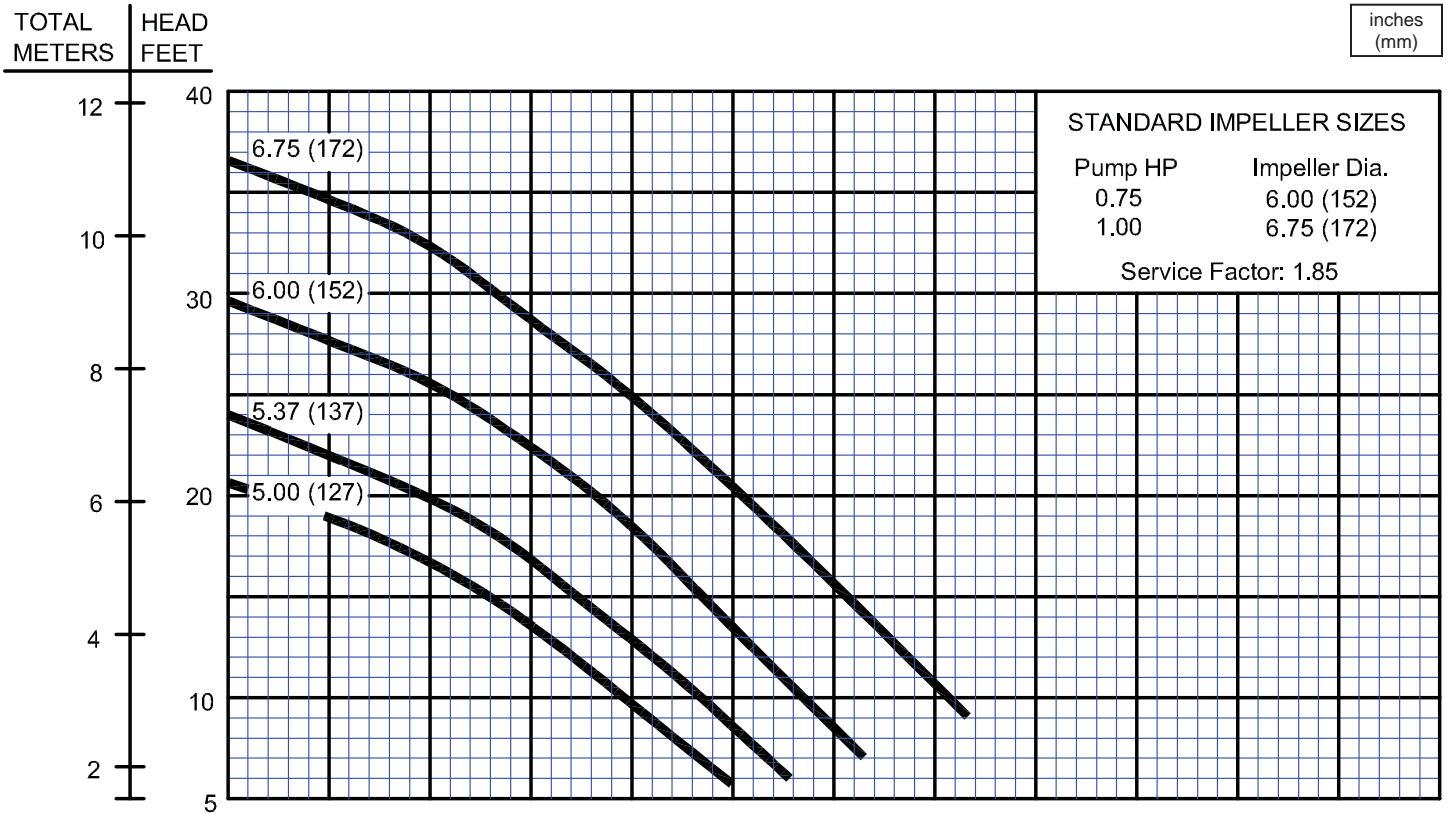
- 1.) PUMP MAY BE OPERATED "DRY" FOR EXTENDED PERIODS WITHOUT DAMAGE TO MOTOR AND/OR SEALS.
- 2.) THIS PUMP IS APPROPRIATE FOR THOSE APPLICATIONS SPECIFIED AS CLASS I DIVISION II HAZARDOUS LOCATIONS.
- 3.) THIS PUMP IS NOT APPROPRIATE FOR THOSE APPLICATIONS SPECIFIED AS CLASS I DIVISION I HAZARDOUS LOCATIONS.
- 4.) INSTALLATIONS SUCH AS DECORATIVE FOUNTAINS OR WATER FEATURES PROVIDED FOR VISUAL ENJOYMENT MUST BE INSTALLED IN ACCORDANCE WITH THE NATIONAL ELECTRIC CODE ANSI/NFPA 70 AND/OR THE AUTHORITY HAVING JURISDICTION. THIS PUMP IS NOT INTENDED FOR USE IN SWIMMING POOLS, RECREATIONAL WATER PARKS, OR INSTALLATIONS IN WHICH HUMAN CONTACT WITH PUMPED MEDIA IS A COMMON OCCURRENCE.

SECTION 1B  
PAGE 28  
DATE 6/04

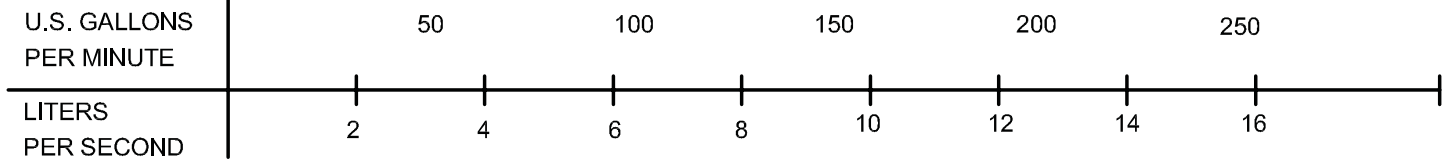
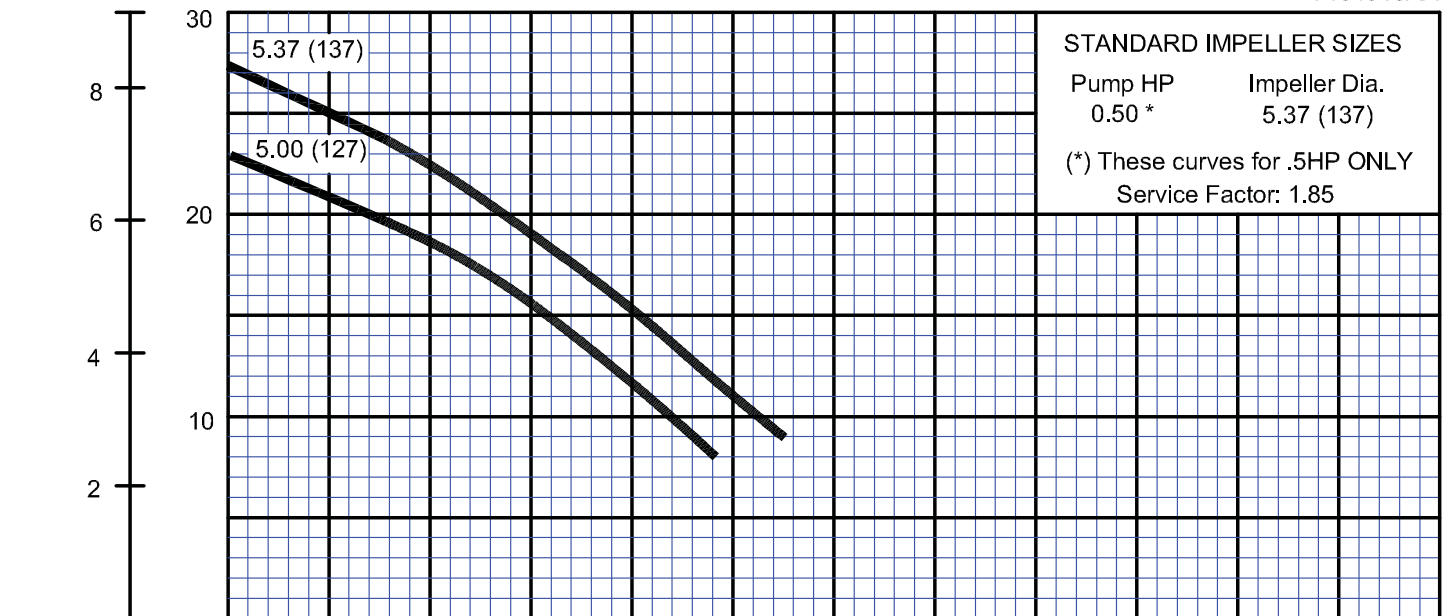


**PUMPS & SYSTEMS**

## 2" Discharge



V104918AA



Testing is performed with water, specific gravity 1.0 @ 68° F @ (20°C), other fluids may vary performance

# Series 2SEV-DS

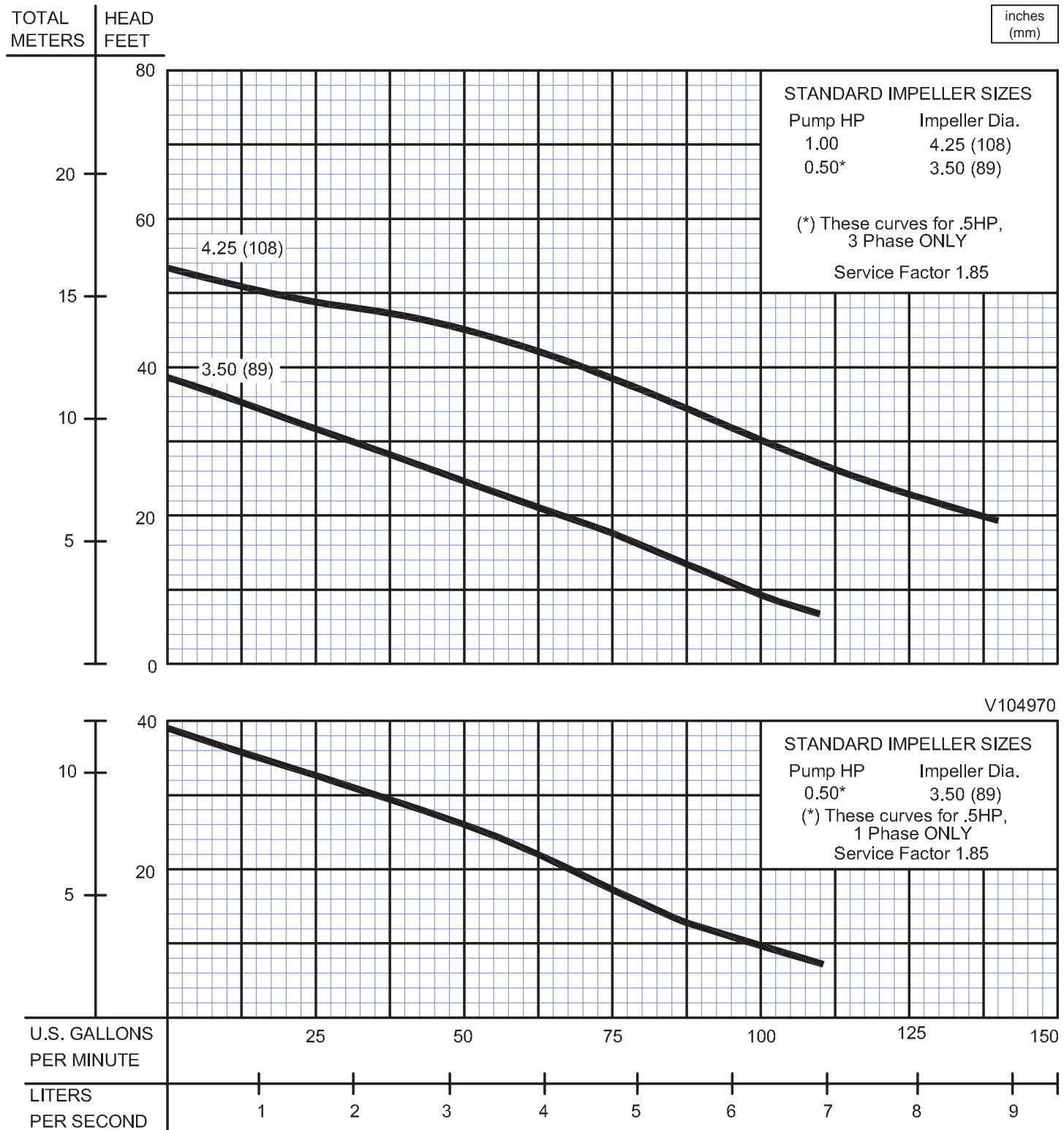
Performance Curve

.5HP & 1HP, 3450RPM, 60Hz



www.cranepumps.com

## 2" Discharge



Testing is performed with water, specific gravity 1.0 @ 68° F @ (20°C), other fluids may vary performance

SECTION 1B  
PAGE 30  
DATE 6/04



A Crane Co. Company

PUMPS & SYSTEMS

USA: (937) 778-8947 • Canada: (905) 457-6223 • International: (937) 615-3598