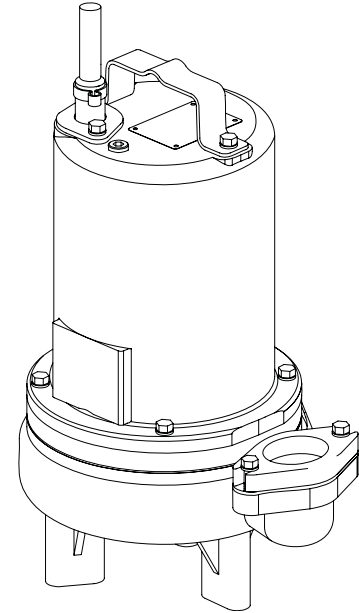


DISCHARGE	2" NPT, Female, Vertical, Bolt-on Flange
LIQUID TEMPERATURE	104°F (40°C) Continuous
VOLUTE	Cast Iron ASTM A-48, Class 30
MOTOR HOUSING	Cast Iron ASTM A-48, Class 30
SEAL PLATE	Cast Iron ASTM A-48, Class 30
IMPELLER: Design	Vortex, open, with pump out vanes on back side. Dynamically balanced, ISO G6.3
<i>Material</i>	85-5-5-5 Bronze
SHAFT	416 Stainless Steel
SQUARE RINGS	Buna-N
HARDWARE	300 Series Stainless Steel
PAINT	Air Dry Enamel
SEAL: Design	Single Mechanical
<i>Material</i>	Carbon/Ceramic/Buna-N
	Hardware -300 Series Stainless
CORD ENTRY	20 ft. (6m) Cord. Quick connect custom molded for sealing and strain relief
SPEED	3450 RPM (Nominal)
UPPER BEARING	Single Row, Ball, Oil lubricated
<i>Load</i>	Radial
LOWER BEARING	Single Row, Ball, Oil lubricated
<i>Load</i>	Radial & Thrust
MOTOR: Design	NEMA L -Single Phase, NEMA B -Three phase Torque Curve, Oil Filled, Squirrel Cage Induction
<i>Insulation</i>	Class B
SINGLE PHASE	Permanent Split Capacitor (PSC) Includes Overload Protection in Motor
THREE PHASE	200-240/480 is Tri-Voltage. 600V. Requires Overload Protection to be included in control panel
OPTIONAL EQUIPMENT	Seal Material, Impeller Trims, Additional cord, Normally Closed Temperature Sensors with cord for 3 phase pumps (Requires relay in control panel).
 RECOMMENDED:	
<i>Accessories</i>	Break Away Fitting (BAF) Check Valve Control Panel
<i>Seal Kit PN</i>	130181
<i>Service Kit PN</i>	130208



Series: 2SEV-L
1.5 & 2.0HP, 3450RPM, 60Hz

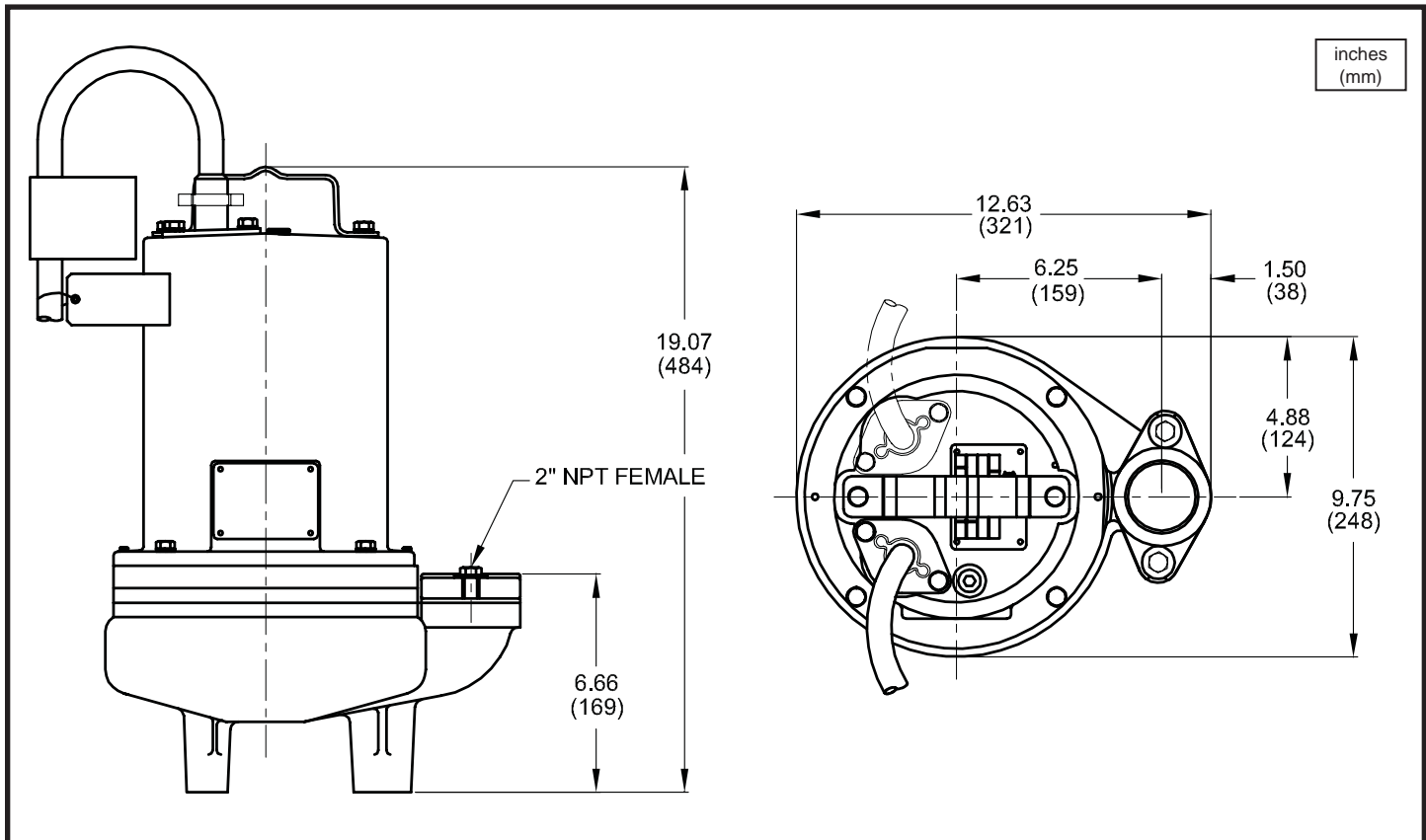


DESCRIPTION:

SUBMERSIBLE NON-CLOG SEWAGE PUMP
DESIGNED FOR TYPICAL RAW SEWAGE
APPLICATIONS

Series 2SEV-L
2" Spherical Solids Handling
Vortex, Single Seal

2" Discharge



MODEL NO	PART NO	HP	VOLT/PH	Hz	RPM (Nom)	NEMA START CODE	FULL LOAD AMPS	LOCKED ROTOR AMPS	CORD SIZE	CORD TYPE	CORD O.D inch (mm)
2SEV1522L	104187	1.5	240/1	60	3450	A	13.5	31.5	12/3	SOW	0.610 (15.5)
2SEV1592L	104188	1.5	200/240/3	60	3450	C	10.8/9.8	27.0	14/4	SOW	0.600 (15.2)
2SEV1542L	104189	1.5	480/3	60	3450	F	4.9	13.5	14/4	SOW	0.600 (15.2)
2SEV1552L	105774	1.5	600/3	60	3450	F	3.9	11.0	14/4	SOW	0.600 (15.2)
2SEV2022L	104190	2.0	240/1	60	3450	C	16.0	42.0	12/3	SOW	0.610 (15.5)
2SEV2092L	104191	2.0	200/240/3	60	3450	J	13.2/12.0	30.0	14/4	SOW	0.600 (15.2)
2SEV2042L	104192	2.0	480/3	60	3450	J	6.0	15.0	14/4	SOW	0.600 (15.2)
2SEV2052L	105775	2.0	600/3	60	3450	J	4.8	12.0	14/4	SOW	0.600 (15.2)

OPTIONAL - Temperature sensor cord for 3 phase models is 14/3 SOW, 0.530 (13.5mm) O.D.

IMPORTANT !

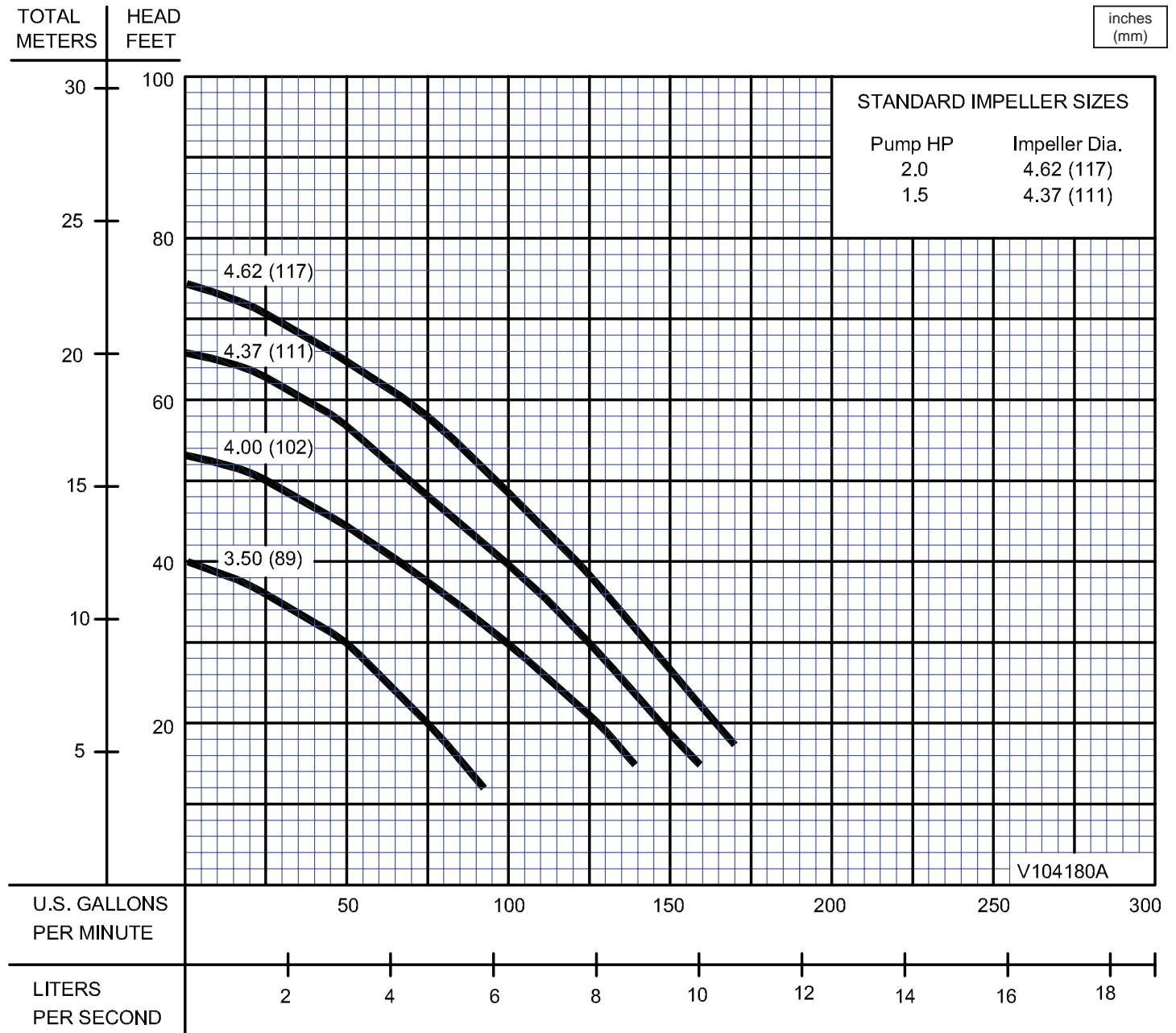
- 1.) PUMP MAY BE OPERATED "DRY" FOR EXTENDED PERIODS WITHOUT DAMAGE TO MOTOR AND/OR SEALS.
- 2.) THIS PUMP IS APPROPRIATE FOR THOSE APPLICATIONS SPECIFIED AS CLASS I DIVISION II HAZARDOUS LOCATIONS.
- 3.) THIS PUMP IS NOT APPROPRIATE FOR THOSE APPLICATIONS SPECIFIED AS CLASS I DIVISION I HAZARDOUS LOCATIONS.
- 4.) INSTALLATIONS SUCH AS DECORATIVE FOUNTAINS OR WATER FEATURES PROVIDED FOR VISUAL ENJOYMENT MUST BE INSTALLED IN ACCORDANCE WITH THE NATIONAL ELECTRIC CODE ANSI/NFPA 70 AND/OR THE AUTHORITY HAVING JURISDICTION. THIS PUMP IS NOT INTENDED FOR USE IN SWIMMING POOLS, RECREATIONAL WATER PARKS, OR INSTALLATIONS IN WHICH HUMAN CONTACT WITH PUMPED MEDIA IS A COMMON OCCURRENCE.

SECTION 1B
PAGE 32
DATE 6/04



PUMPS & SYSTEMS

2" Discharge



Testing is performed with water, specific gravity 1.0 @ 68° F @ (20°C), other fluids may vary performance