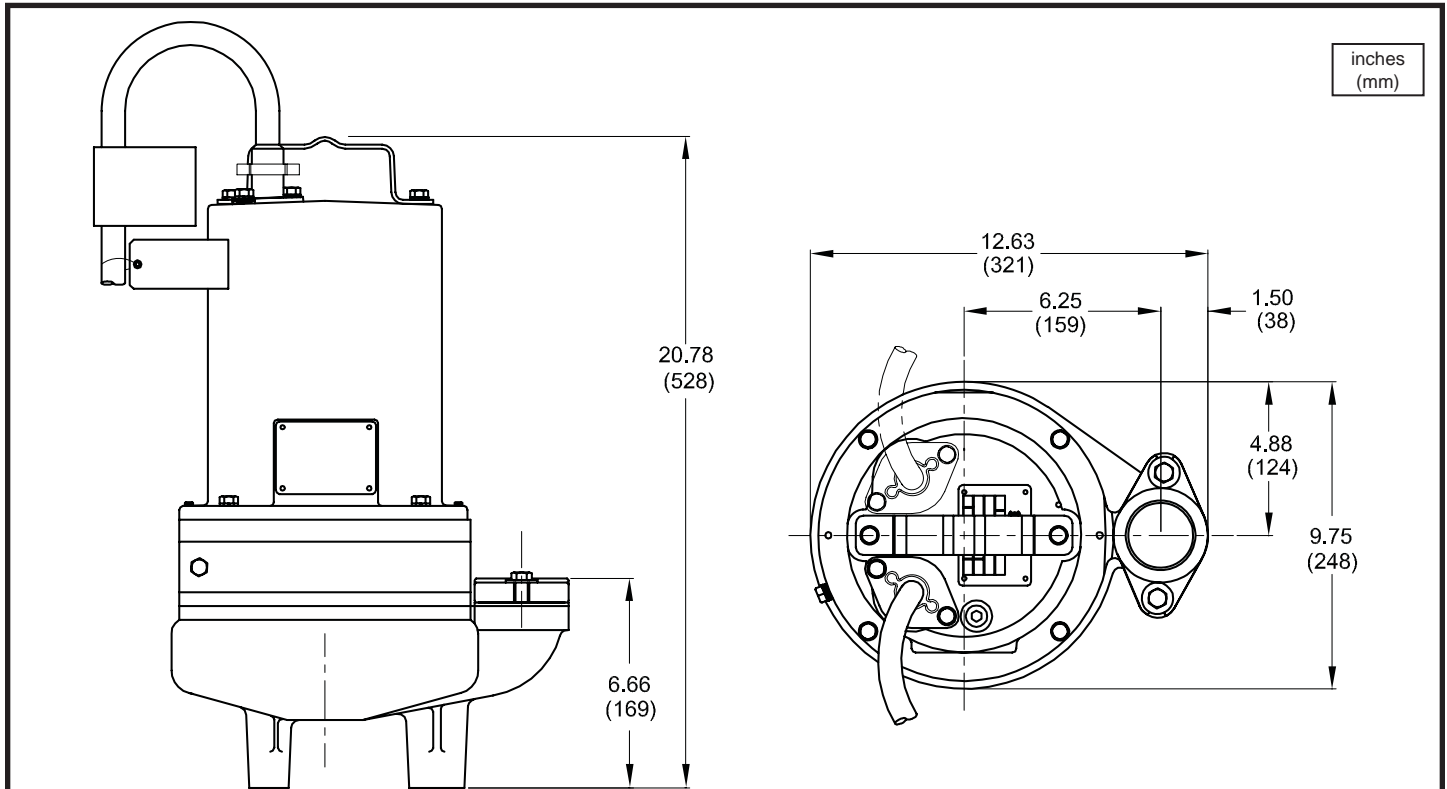


2" Discharge



MODEL NO	PART NO	HP	VOLT/PH	Hz	RPM (Nom)	NEMA START CODE	FULL LOAD AMPS	LOCKED ROTOR AMPS	CORD SIZE	CORD TYPE	CORD O.D. inch (mm)
2SEV1522DS	107914	1.5	240/1	60	3450	A	13.5	31.5	12/3	SOW	0.610 (15.5)
2SEV1592DS	107915	1.5	200/240/3	60	3450	C	10.8/9.8	27.0	14/4	SOW	0.600 (15.2)
2SEV1542DS	107916	1.5	480/3	60	3450	F	4.9	13.5	14/4	SOW	0.600 (15.2)
2SEV1552DS	107917	1.5	600/3	60	3450	F	3.9	11.0	14/4	SOW	0.600 (15.2)
2SEV2022DS	107918	2.0	240/1	60	3450	C	16.0	42.0	12/3	SOW	0.610 (15.5)
2SEV2092DS	107919	2.0	200/240/3	60	3450	J	13.2/12.0	30.0	14/4	SOW	0.600 (15.2)
2SEV2042DS	107920	2.0	480/3	60	3450	J	6.0	15.0	14/4	SOW	0.600 (15.2)
2SEV2052DS	107921	2.0	600/3	60	3450	J	4.8	12.0	14/4	SOW	0.600 (15.2)

OPTIONAL - Temperature sensor cord for 3 phase models is 14/3 SOW, 0.530 (13.5mm) O.D.

OPTIONAL - Moisture sensor cord is 18/5 SOW, 0.470 (11.9mm) O.D.

OPTIONAL - Moisture & Temperature sensor cord for 3 phase models is 18/5 SOW, 0.470 (11.9mm) O.D.

IMPORTANT !

- 1.) PUMP MAY BE OPERATED "DRY" FOR EXTENDED PERIODS WITHOUT DAMAGE TO MOTOR AND/OR SEALS.
- 2.) THIS PUMP IS APPROPRIATE FOR THOSE APPLICATIONS SPECIFIED AS CLASS I DIVISION II HAZARDOUS LOCATIONS.
- 3.) THIS PUMP IS NOT APPROPRIATE FOR THOSE APPLICATIONS SPECIFIED AS CLASS I DIVISION I HAZARDOUS LOCATIONS.
- 4.) INSTALLATIONS SUCH AS DECORATIVE FOUNTAINS OR WATER FEATURES PROVIDED FOR VISUAL ENJOYMENT MUST BE INSTALLED IN ACCORDANCE WITH THE NATIONAL ELECTRIC CODE ANSI/NFPA 70 AND/OR THE AUTHORITY HAVING JURISDICTION. THIS PUMP IS NOT INTENDED FOR USE IN SWIMMING POOLS, RECREATIONAL WATER PARKS, OR INSTALLATIONS IN WHICH HUMAN CONTACT WITH PUMPED MEDIA IS A COMMON OCCURRENCE.

Series 2SEV-DS

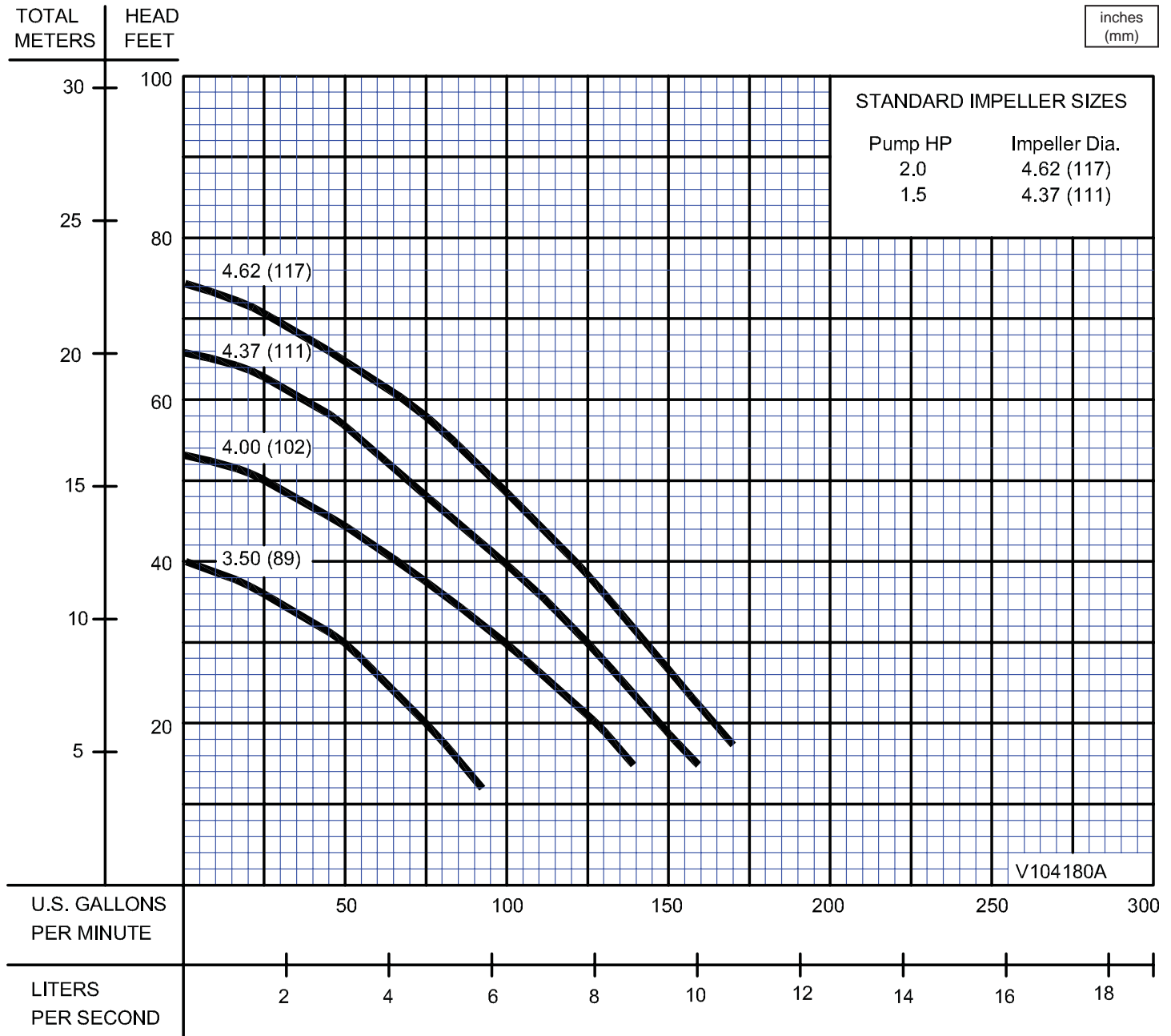
Performance Curve

1.5HP & 2.0HP, 3450RPM, 60Hz

BARNES®

www.cranepumps.com

2" Discharge



Testing is performed with water, specific gravity 1.0 @ 68° F @ (20°C), other fluids may vary performance

SECTION 1B
PAGE 36
DATE 6/04

CRANE
A Crane Co. Company

PUMPS & SYSTEMS

USA: (937) 778-8947 • Canada: (905) 457-6223 • International: (937) 615-3598