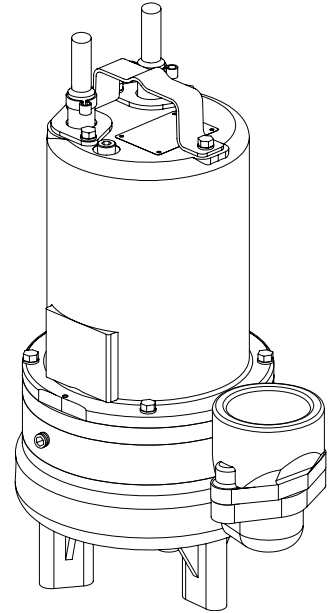


DISCHARGE	3" NPT, Female, Vertical, Bolt-on Flange
LIQUID TEMPERATURE	104°F (40°C) Continuous
VOLUTE	Cast Iron ASTM A-48, Class 30
MOTOR HOUSING	Cast Iron ASTM A-48, Class 30
SEAL PLATE	Cast Iron ASTM A-48, Class 30
IMPELLER: Design	Vortex, open, with pump out vanes on back side. Dynamically balanced, ISO G6.3
<i>Material</i>	Cast Iron ASTM A-48, Class 30
SHAFT	416 Stainless Steel
SQUARE RINGS	Buna-N
HARDWARE	300 Series Stainless Steel
PAINT	Air Dry Enamel
SEAL: Design	Tandem Mechanical, Oil filled reservoir
<i>Material</i>	Carbon/Ceramic/Buna-N
	Hardware -300 Series Stainless
CORD ENTRY	30 ft. (9.1m) Cord with plug on 120 volt & .5HP, 240 volt, 1 phase. Quick connect custom molded for sealing and strain relief
SPEED	1750 & 3450 RPM (Nominal)
UPPER BEARING	Single Row, Ball, Oil lubricated
<i>Load</i>	Radial
LOWER BEARING	Single Row, Ball, Oil lubricated
<i>Load</i>	Radial & Thrust
MOTOR: Design	NEMA L -Single Phase, NEMA B -Three phase Torque Curve, Oil Filled, Squirrel Cage Induction
<i>Insulation</i>	Class B
SINGLE PHASE	Permanent Split Capacitor (PSC) Includes Overload Protection in Motor
THREE PHASE	200-240/480 is Tri-Voltage. 600V. Requires Overload Protection to be included in control panel
OPTIONAL EQUIPMENT	Seal Material, Impeller Trims, Additional cord, Normally Closed Temperature Sensors with cord for 3 phase pumps (Requires relay in control panel), Normally Open Moisture sensor with cord for DS pumps (Requires relay in control panel).

RECOMMENDED:

<i>Accessories</i>	Break Away Fitting (BAF) Check Valve Control Panel
<i>Seal Kit PN</i>	130176
<i>Service Kit PN</i>	130172



Series: 3SEV-DS
0.5, 0.75 & 1.0HP,
1750 & 3450RPM, 60Hz



Sample Specifications: Section 1 Page 9.

DESCRIPTION:

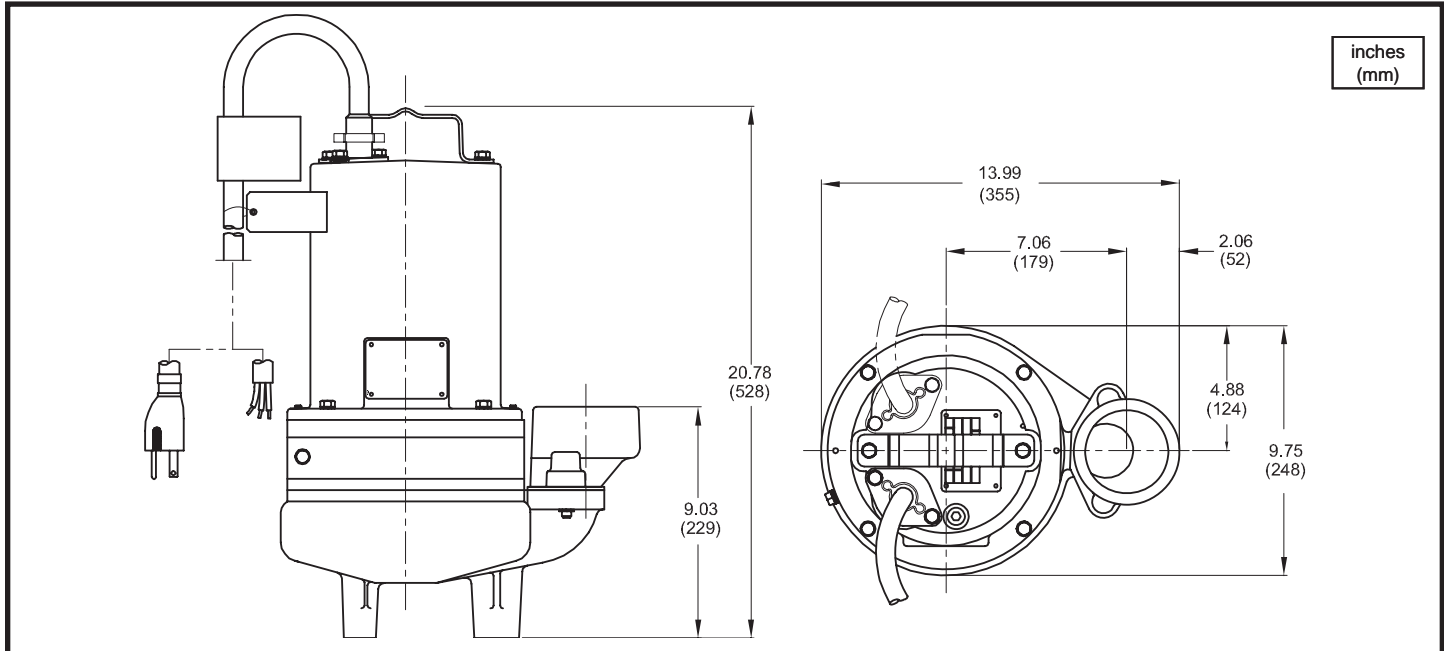
SUBMERSIBLE NON-CLOG SEWAGE PUMP
DESIGNED FOR TYPICAL RAW SEWAGE
APPLICATIONS

Series 3SEV-DS
2" Spherical Solids Handling
Vortex, Double Seal

BARNES[®]

www.cranepumps.com

3" Discharge



MODEL NO	PART NO	HP	VOLT/PH	HZ	RPM (Nom)	NEMA START CODE	FULL LOAD AMPS	LOCKED ROTOR AMPS	CORD SIZE	CORD TYPE	CORD O.D inch (mm)
3SEV514DS	104949	0.5	120/1	60	1750	F	12.0	21.3	14/3	SJTOW	0.375 (9.5)
3SEV524DS	104950	0.5	240/1	60	1750	J	6.3	14.9	14/3	SOW	0.530 (13.5)
3SEV594DS	104951	0.5	200-240/3	60	1750	H/L	3.7/3.8	9.8/11.0	14/4	SOW	0.570 (14.5)
3SEV544DS	104952	0.5	480/3	60	1750	K	1.9	5.3	14/4	SOW	0.570 (14.5)
3SEV554DS	104953	0.5	600/3	60	1750	H	1.4	3.4	14/4	SOW	0.570 (14.5)
3SEV724DS	104958	0.75	240/1	60	1750	G/K	7.1	25.8	14/3	SOW	0.530 (13.5)
3SEV794DS	104959	0.75	200-240/3	60	1750	H/K	4.8/4.6	13.7/15.4	14/4	SOW	0.570 (14.5)
3SEV744DS	104960	0.75	480/3	60	1750	K	2.3	7.7	14/4	SOW	0.570 (14.5)
3SEV754DS	104961	0.75	600/3	60	1750	L	1.6	7.2	14/4	SOW	0.570 (14.5)
3SEV1024DS	104966	1.0	240/1	60	1750	D/G	8.5	25.8	14/3	SOW	0.530 (13.5)
3SEV1094DS	104967	1.0	200-240/3	60	1750	E/H	5.3/5.1	13.7/15.4	14/3	SOW	0.570 (14.5)
3SEV1044DS	104968	1.0	480/3	60	1750	H	2.5	7.7	14/4	SOW	0.570 (14.5)
3SEV1054DS	104969	1.0	600/3	60	1750	J	2.2	7.2	14/4	SOW	0.570 (14.5)
3SEV512DS*	104998	0.5	120/1	60	3450	G	12.6	24.6	14/3	SJTOW	0.375 (9.5)
3SEV522DS	104999	0.5	240/1	60	3450	E	6.0	10.2	14/3	SOW	0.530 (13.5)
3SEV592DS	105000	0.5	200-240/3	60	3450	P/R	5.8/5.3	19.9/18.4	14/4	SOW	0.570 (14.5)
3SEV542DS	105002	0.5	480/3	60	3450	R	2.6	9.1	14/4	SOW	0.570 (14.5)
3SEV552DS	105003	0.5	600/3	60	3450	T	2.1	8.7	14/4	SOW	0.570 (14.5)
3SEV1022DS	105009	1.0	240/1	60	3450	F	10.7	21.8	14/3	SOW	0.530 (13.5)
3SEV1092DS	105010	1.0	200-240/3	60	3450	H/J	7.9/7.5	19.9/18.4	14/4	SOW	0.570 (14.5)
3SEV1042DS	105012	1.0	480/3	60	3450	J	3.7	9.1	14/4	SOW	0.570 (14.5)
3SEV1052DS	105013	1.0	600/3	60	3450	L	2.9	8.7	14/4	SOW	0.570 (14.5)

OPTIONAL - Temperature sensor cord for 3 phase models is 14/3 SOW, 0.530 (13.5mm) O.D.
 OPTIONAL - Moisture sensor cord is 18/5 SOW, 0.470 (11.9mm) O.D.
 OPTIONAL - Moisture & Temperature sensor cord for 3 phase models is 18/5 SOW, 0.470 (11.9mm) O.D.
 (*) Pump is CSA listed **ONLY**.

IMPORTANT !

- 1.) PUMP MAY BE OPERATED "DRY" FOR EXTENDED PERIODS WITHOUT DAMAGE TO MOTOR AND/OR SEALS.
- 2.) THIS PUMP IS APPROPRIATE FOR THOSE APPLICATIONS SPECIFIED AS CLASS I DIVISION II HAZARDOUS LOCATIONS.
- 3.) THIS PUMP IS NOT APPROPRIATE FOR THOSE APPLICATIONS SPECIFIED AS CLASS I DIVISION I HAZARDOUS LOCATIONS.
- 4.) INSTALLATIONS SUCH AS DECORATIVE FOUNTAINS OR WATER FEATURES PROVIDED FOR VISUAL ENJOYMENT MUST BE INSTALLED IN ACCORDANCE WITH THE NATIONAL ELECTRIC CODE ANSI/NFPA 70 AND/OR THE AUTHORITY HAVING JURISDICTION. THIS PUMP IS NOT INTENDED FOR USE IN SWIMMING POOLS, RECREATIONAL WATER PARKS, OR INSTALLATIONS IN WHICH HUMAN CONTACT WITH PUMPED MEDIA IS A COMMON OCCURRENCE.

SECTION 1B
PAGE 48
DATE 6/04

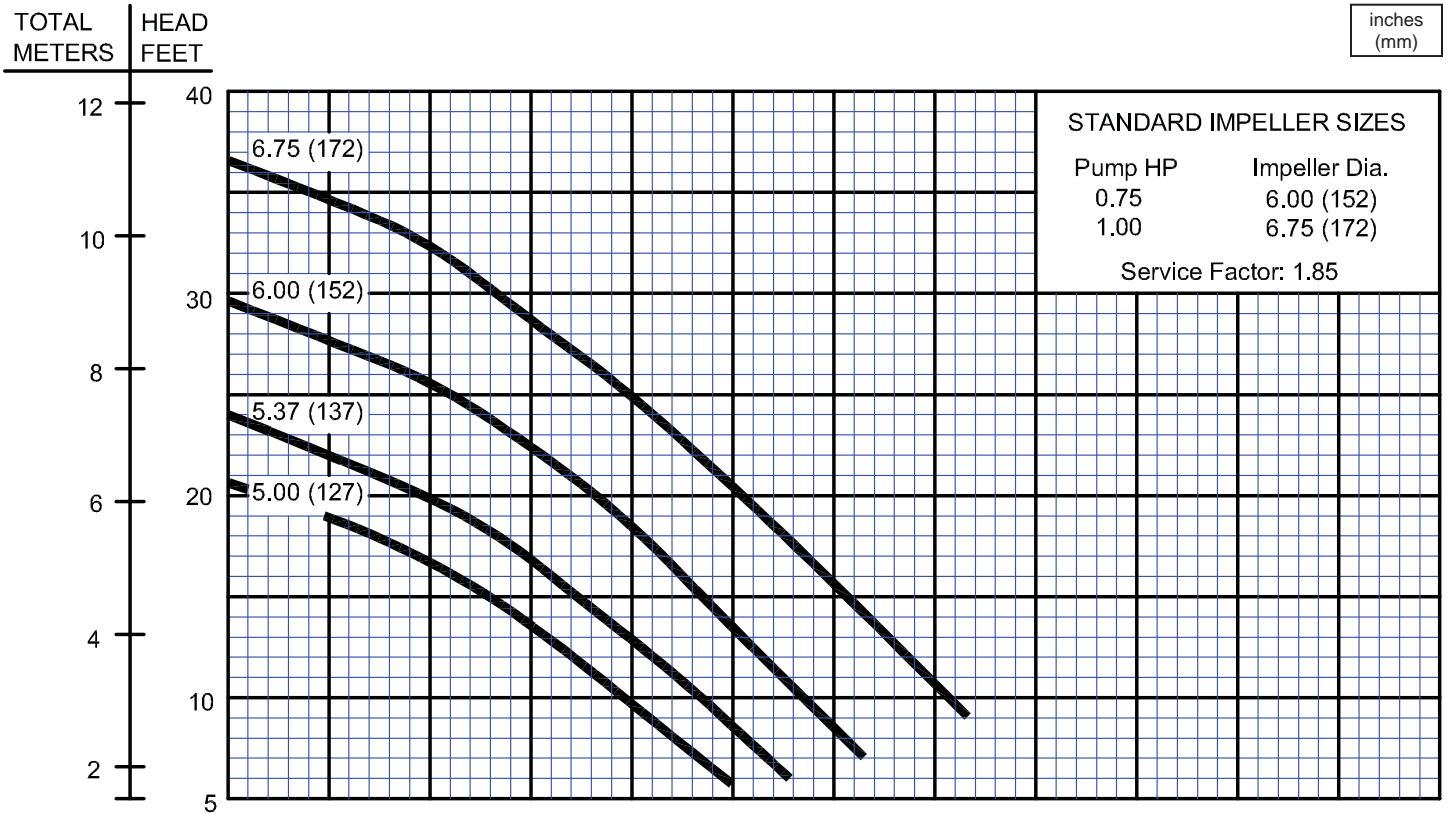
CRANE[®]

PUMPS & SYSTEMS

A Crane Co. Company

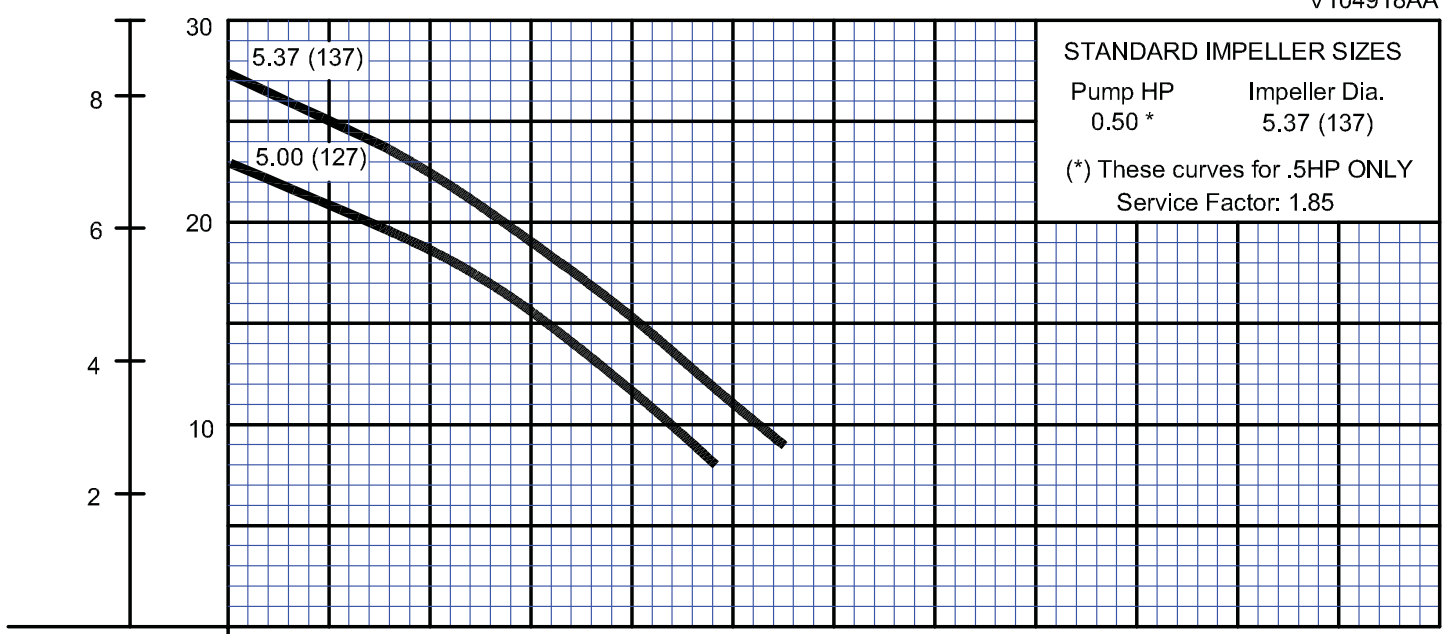
USA: (937) 778-8947 • Canada: (905) 457-6223 • International: (937) 615-3598

3" Discharge

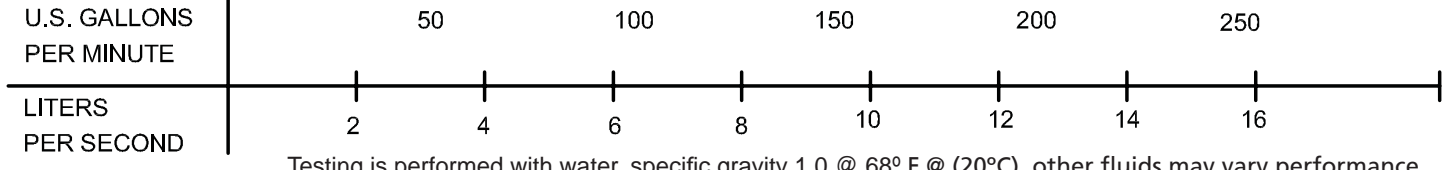


STANDARD IMPELLER SIZES	
Pump HP	Impeller Dia.
0.75	6.00 (152)
1.00	6.75 (172)
Service Factor: 1.85	

V104918AA



STANDARD IMPELLER SIZES	
Pump HP	Impeller Dia.
0.50 *	5.37 (137)
(*) These curves for .5HP ONLY	
Service Factor: 1.85	



Testing is performed with water, specific gravity 1.0 @ 68° F @ (20°C), other fluids may vary performance

Series 3SEV-DS

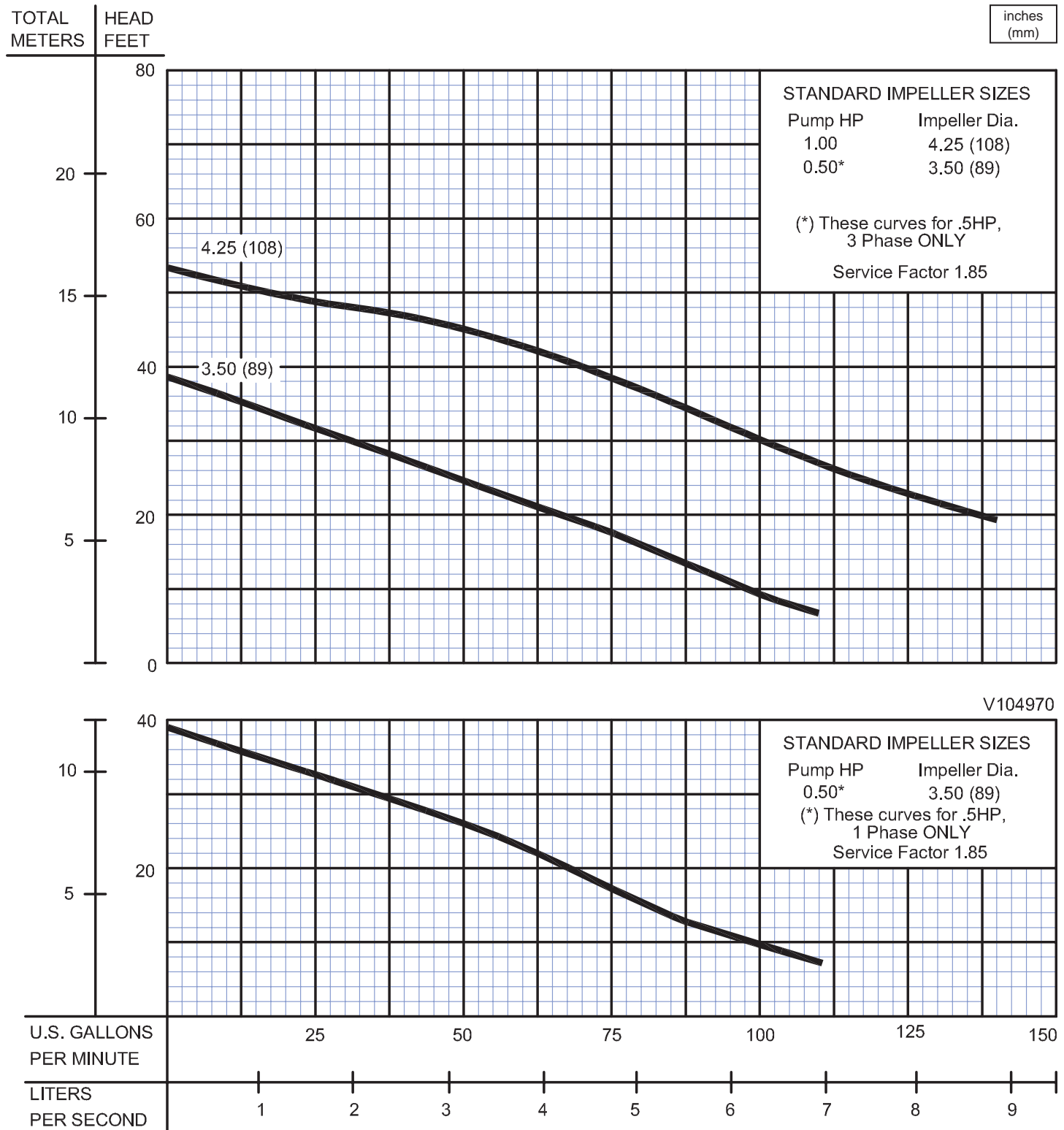
Performance Curve

0.5, 0.75 & 1.0HP, 3450RPM, 60Hz



www.cranepumps.com

3" Discharge



Testing is performed with water, specific gravity 1.0 @ 68° F @ (20°C), other fluids may vary performance

SECTION 1B
PAGE 50
DATE 6/04



A Crane Co. Company

PUMPS & SYSTEMS

USA: (937) 778-8947 • Canada: (905) 457-6223 • International: (937) 615-3598