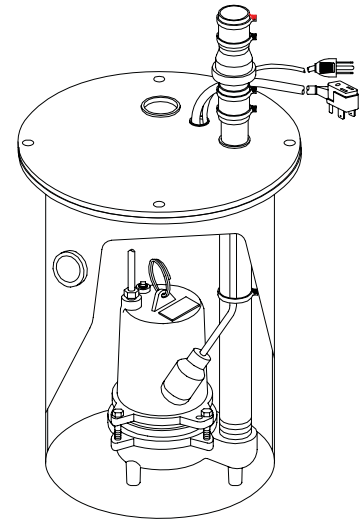


Submersible Non-Clog Pumps

SEV421-SP:

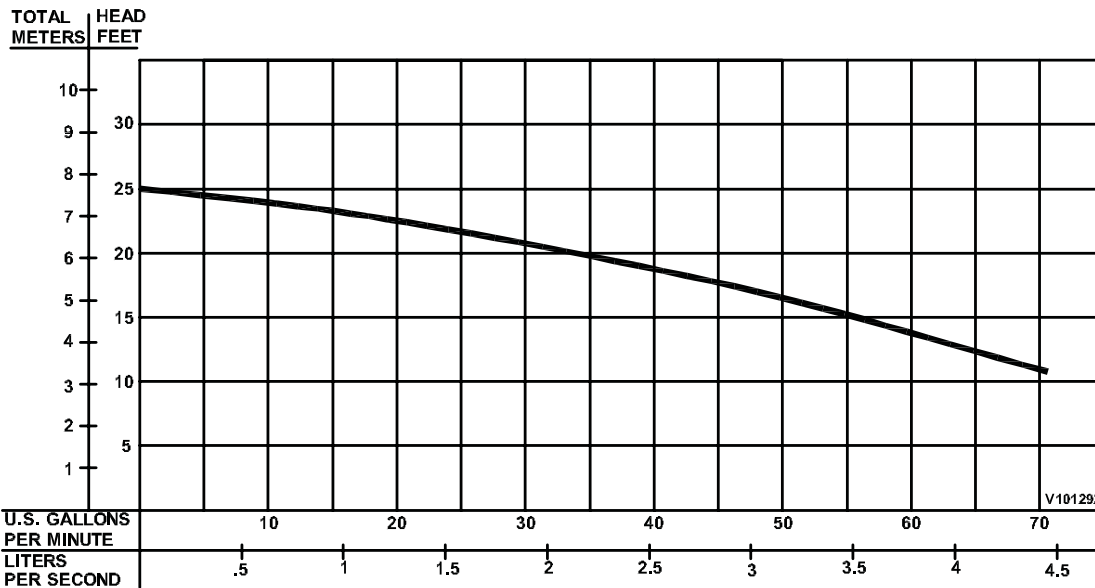
- One - SEV421-SP, .5HP, 115 Volt, 60Hz**
Heavy duty sewage pump. Rugged cast iron body and impeller
- One - Level Control P/N: 101758**
Mechanical switch molded inside of a waterproof float. Single control turns pump on and off automatically.
- One - 18x30 Polyethylene Basin P/N: 110699**
18" (457mm) Dia. x 30" (762mm) Deep, with 4" (102mm) Inlet Polyethylene structural foam, 30 US gallons (113.6 Liters) capacity, 1/4" (6.5mm) wall thickness
- One - 4" (102mm) Flexible Pipe Fitting Inlet P/N: 076149**
Super-tuff Sanoprene construction
- One - 10PS Cover P/N: 102227**
Polyethylene, 2" (51mm) vent and 2" (51mm) Discharge, gasket, cord grommet, two pipe grommets and four bolts with washers.
- One - 2" (51mm) Vertical Check Valve P/N: 066828**
With hose adaptors and clamps
- One - Discharge pipe P/N: 104601**
PVC, Sch. 40, 32" (813mm) long



Series: SEV421-SP, 60Hz

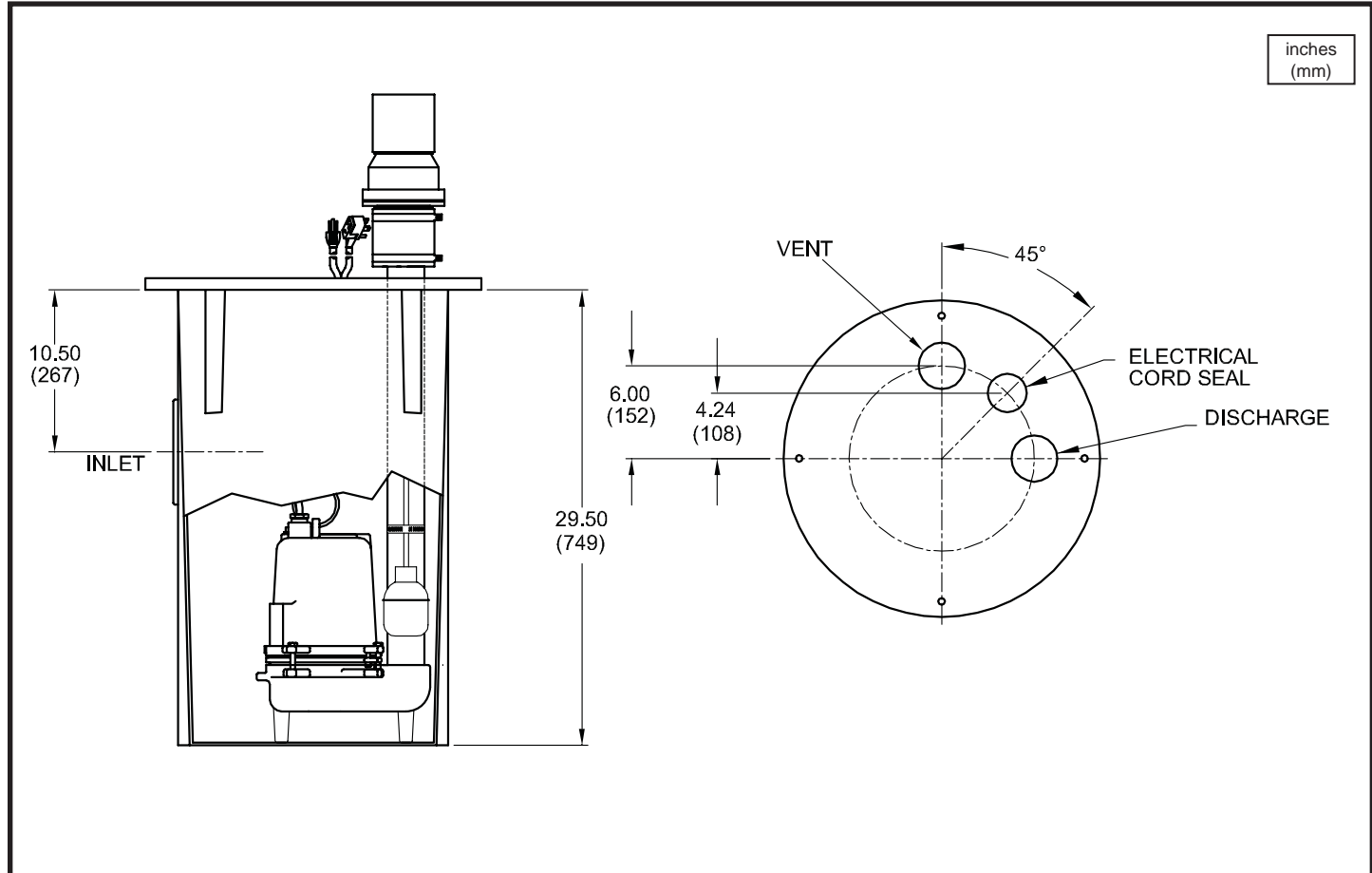
DESCRIPTION:

SIMPLEX SYSTEMS (ONE PUMP) ARE GOOD FOR RESIDENCES AND SMALL INDUSTRIAL SEWAGE OR SUMP APPLICATIONS. THEY ARE DESIGNED TO HANDLE WASTES FROM LAVATORIES, LAUNDRY TUBS, FLOOR DRAINS, WATER CLOSETS, ETC., AND WILL PUSH THE WATER FROM BELOW GROUND UP TO WHERE NORMAL DRAINAGE WILL HANDLE IT.



Testing is performed with water specific gravity of 1.0 @ 68°F (20°C), other fluids may vary performance

Submersible Non-Clog Pumps



inches
(mm)

MODEL NO	PART NO	DISCHARGE SIZE inch (mm)	VENT SIZE inch (mm)	INLET SIZE inch (mm)
SE421-SP	105367	2" (51)	2" (51)	4" (102)

IMPORTANT !

- 1.) PUMP MAY BE OPERATED "DRY" FOR EXTENDED PERIODS WITHOUT DAMAGE TO MOTOR AND/OR SEALS.
- 2.) THIS PUMP IS APPROPRIATE FOR THOSE APPLICATIONS SPECIFIED AS CLASS I DIVISION II HAZARDOUS LOCATIONS.
- 3.) THIS PUMP IS NOT APPROPRIATE FOR THOSE APPLICATIONS SPECIFIED AS CLASS I DIVISION I HAZARDOUS LOCATIONS.
- 4.) INSTALLATIONS SUCH AS DECORATIVE FOUNTAINS OR WATER FEATURES PROVIDED FOR VISUAL ENJOYMENT MUST BE INSTALLED IN ACCORDANCE WITH THE NATIONAL ELECTRIC CODE ANSI/NFPA 70 AND/OR THE AUTHORITY HAVING JURISDICTION. THIS PUMP IS NOT INTENDED FOR USE IN SWIMMING POOLS, RECREATIONAL WATER PARKS, OR INSTALLATIONS IN WHICH HUMAN CONTACT WITH PUMPED MEDIA IS A COMMON OCCURRENCE.

SECTION D
 PAGE 8
 DATE 4/04



A Crane Co. Company

PUMPS & SYSTEMS

USA: (937) 778-8947 • Canada: (905) 457-6223 • International: (937) 615-3598