

### Submersible Fountain Pumps

**DISCHARGE** ..... 1 3/4" (45mm) Hose Connection,  
90° Rotation

**LIQUID TEMPERATURE** ..... 145°F (63°C) Continuous

**VOLUTE** ..... Brass ASTM A4, 85-5-5-5

**INTERMEDIATE** ..... Brass ASTM A4, 85-5-5-5

**HOUSING TUBE** ..... Stainless Steel

**HOUSING END PIECE** ..... Brass ASTM A4, 85-5-5-5

**SCREEN:** *Design* ..... Area, 264 sq. in. wrap around,  
5/32" Dia. mesh  
*Material* ..... 304 Stainless Steel

**PUMP SUPPORTS** ..... Brass

**DIAPHRAGM** ..... Buna-N, Pressure Equalized

**IMPELLER:**  
*Design:* 1/3 & 1/2HP..... Four Vane Open  
3/4 & 1HP..... Six Vane Open  
*Material* ..... Brass ASTM A4, 85-5-5-5

**SHAFT** ..... 416 Stainless Steel

**O-RINGS** ..... Buna-N

**HARDWARE** ..... 300 Series Stainless Steel

**SEAL** ..... Single Mechanical, Carbon/Ceramic/Buna-N

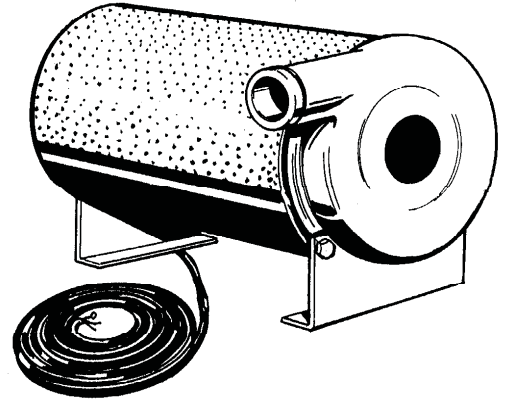
**CABLE ENTRY** ..... 12 ft. (4m) Cord. Pressure grommet  
for sealing and strain relief

**MOTOR END BEARING** ..... Single Row, Ball, Oil Lubricated

**PUMP END BEARING** ..... Sleeve, Oil Lubricated

**MOTOR:** *Design* ..... NEMA L, Oil Filled, Squirrel Cage Induction  
*Insulation* ..... Class A

**SINGLE PHASE**..... Permanent Split Capacitor (PSC)  
Includes Overload Protection in Motor



Series: SFU  
1/3 - 1HP, 3450RPM, 60Hz

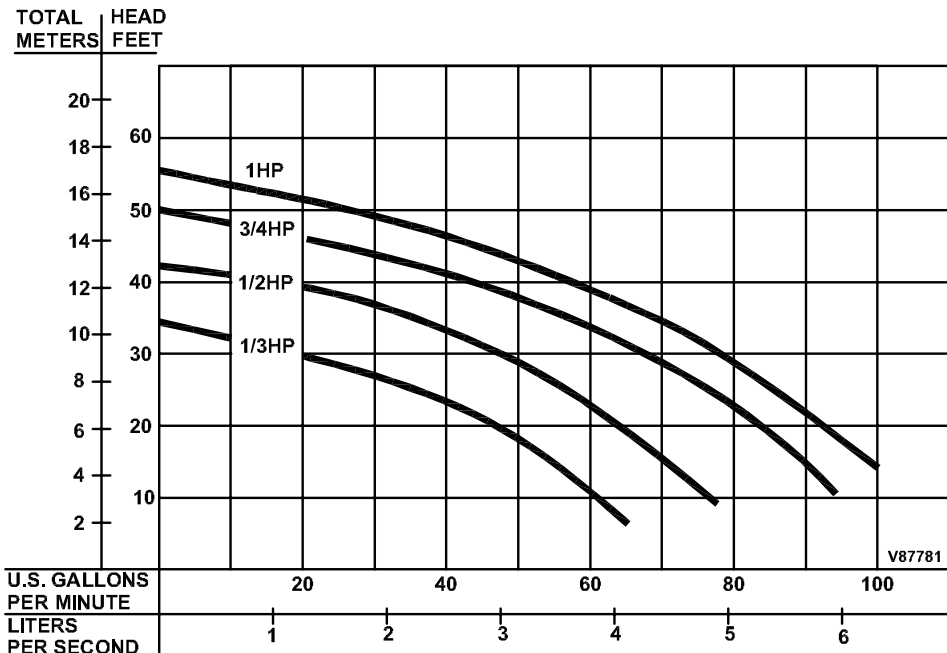


Underwriters Laboratories Inc.  
File No. E142177



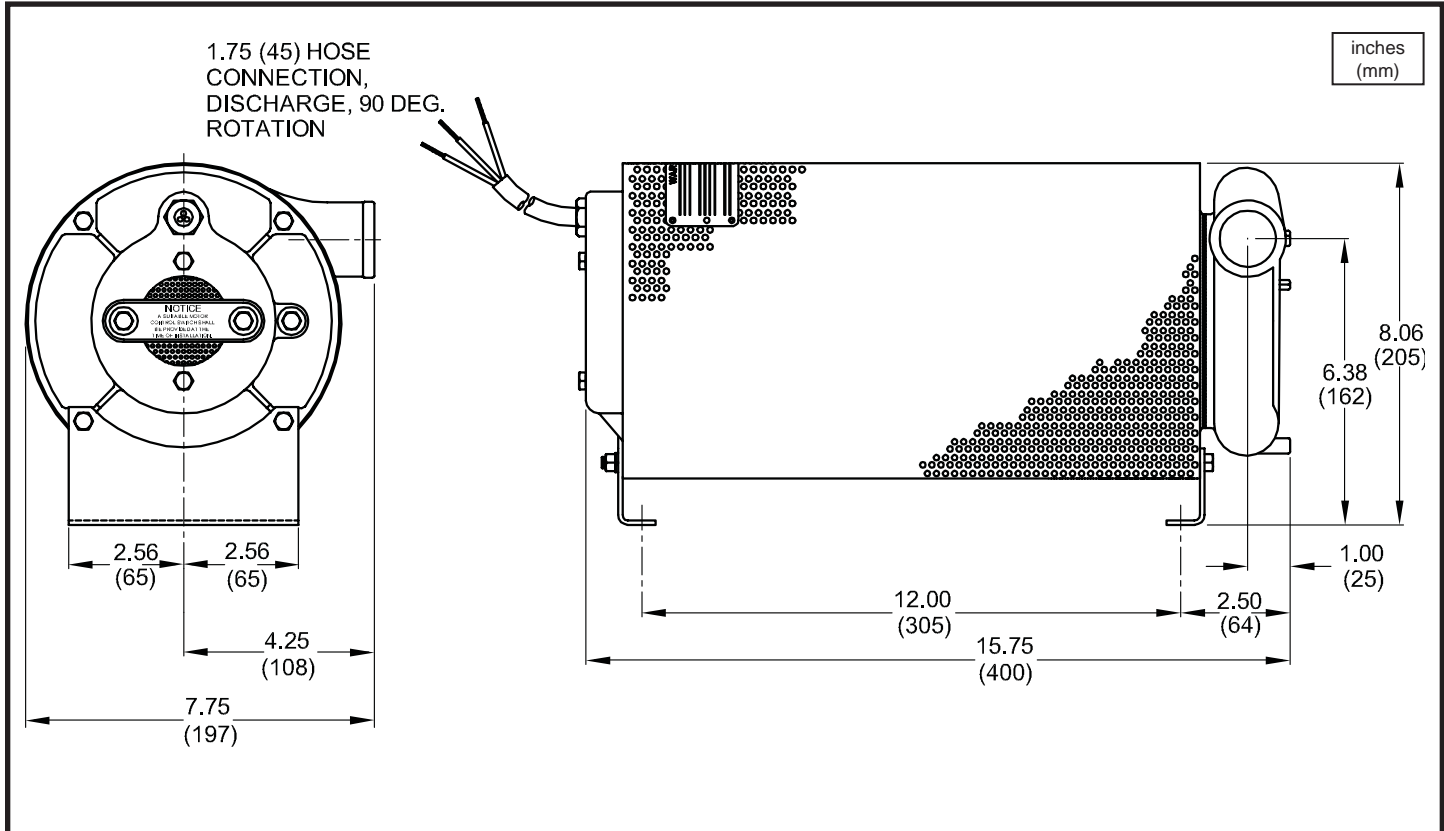
**DESCRIPTION:**

THESE PUMP ARE SPECIALLY DESIGNED FOR USE IN  
DRAMATIC, DECORATIVE WATER DISPLAYS



Testing is performed with water specific gravity of 1.0 @ 68°F (20°C), other fluids may vary performance

**Submersible Fountain Pumps**



MODEL NO	PART NO	HP	VOLT/PH	Hz	RPM (Nom)	NEMA START CODE	FULL LOAD AMPS	LOCKED ROTOR AMPS	CORD SIZE	CORD TYPE	CORD O.D inch (mm)
SFU31	087781	1/3	115/1	60	3450	J	8.0	21.0	16/3	SOW	0.395 (10)
SFU51	087782	1/2	115/1	60	3450	E	9.5	21.0	16/3	SOW	0.395 (10)
SFU71	087783	3/4	115/1	60	3450	D	12.0	28.0	16/3	SOW	0.395 (10)
SFU102	087785	1	230/1	60	3450	E	7.0	21.0	16/3	SOW	0.395 (10)

**IMPORTANT !**

- 1.) THESE PUMPS ARE UL LISTED FOR PUMPING WATER. **DO NOT USE TO PUMP FLAMMABLE LIQUIDS.**
- 2.) SPECIAL SUCTION CHAMBER KEEPS MOTOR 2/3 SUBMERGED AT ALL TIMES FOR COOL OPERATION.
- 3.) MODIFICATIONS MAY AFFECT "UL" LISTING.
- 4.) INSTALLATIONS SUCH AS DECORATIVE FOUNTAINS OR WATER FEATURES PROVIDED FOR VISUAL ENJOYMENT MUST BE INSTALLED IN ACCORDANCE WITH THE NATIONAL ELECTRIC CODE ANSI/NFPA 70 AND/OR THE AUTHORITY HAVING JURISDICTION. THIS PUMP IS NOT INTENDED FOR USE IN SWIMMING POOLS, RECREATIONAL WATER PARKS, OR INSTALLATIONS IN WHICH HUMAN CONTACT WITH PUMPED MEDIA IS A COMMON OCCURRENCE.